



US00D352994S

United States Patent [19]

[11] Patent Number: **Des. 352,994**

Parker

[45] Date of Patent: **** Nov. 29, 1994**

[54] **BATHING PLATFORM**

[76] Inventor: **Roy Parker**, Slades Cottage, Adlams Lane, Sway, Hampshire, SO41 6EG, Great Britain

[**] Term: **14 Years**

[21] Appl. No.: **13,945**

[22] Filed: **Oct. 7, 1993**

[30] **Foreign Application Priority Data**

Apr. 30, 1993 [GB]	United Kingdom	2030799
[52] U.S. Cl.		D23/304
[58] Field of Search	4/419, 571.1, 573.1, 4/577.1, 579, 584, 592, 538, 562.1, 585, 573.1; D23/303, 304	

[56] **References Cited**

U.S. PATENT DOCUMENTS

987,646 3/1911 Schmidt 4/579

2,985,889	5/1961	Fain et al.	4/579 X
4,037,591	7/1977	Sarno	4/573.1 X
5,297,300	3/1994	Sheu	4/579 X

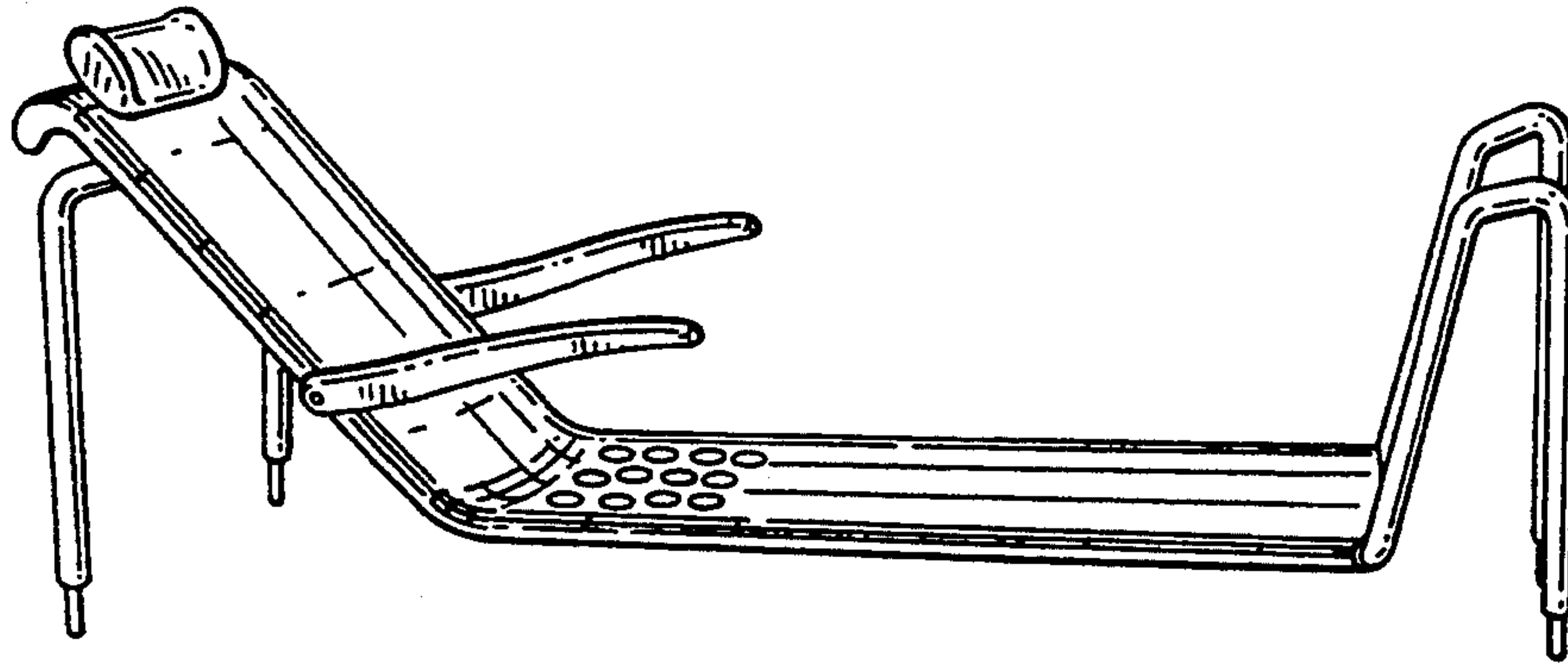
Primary Examiner—A. Hugo Word
Assistant Examiner—Eric Watterson
Attorney, Agent, or Firm—Bacon & Thomas

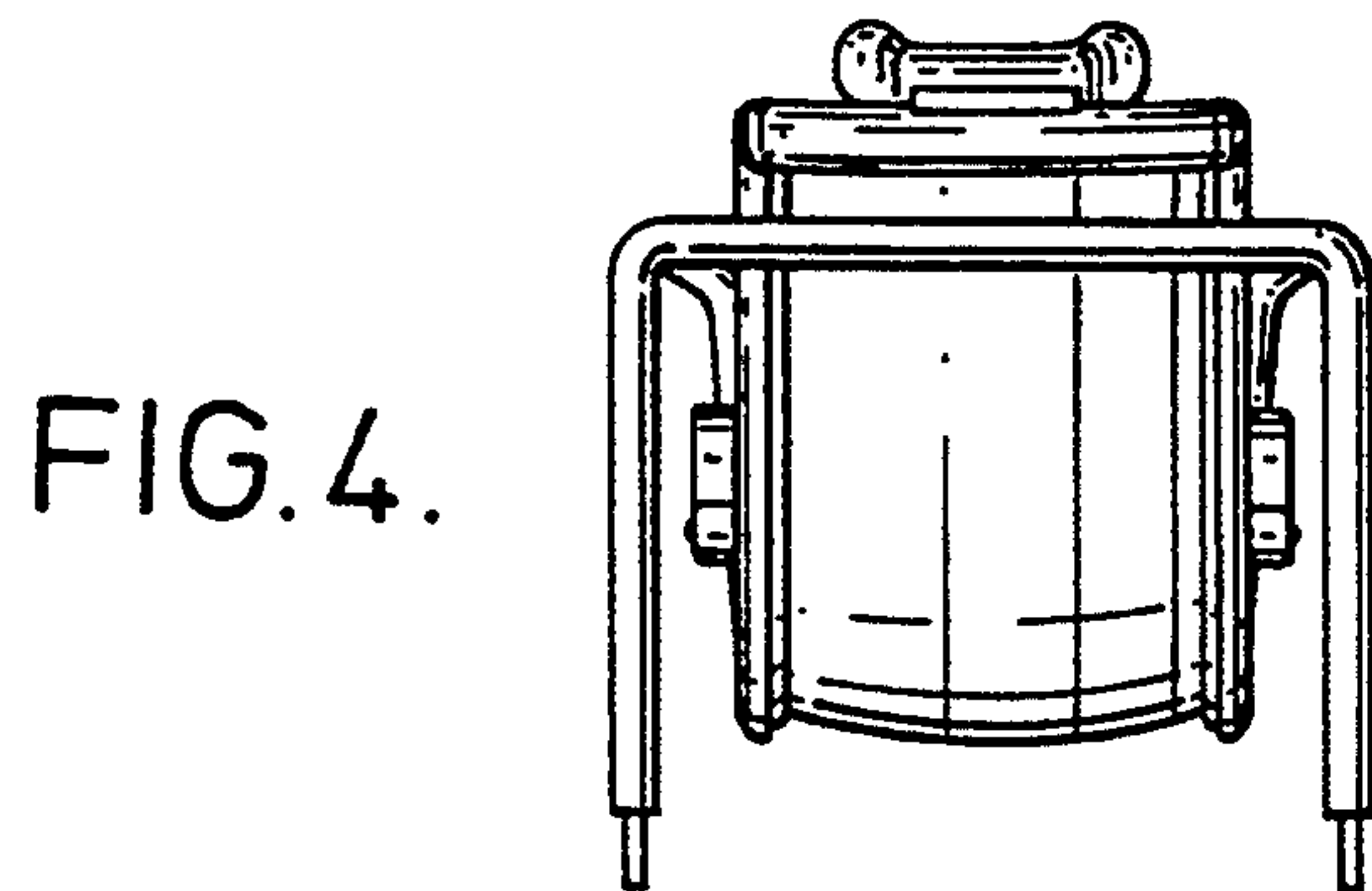
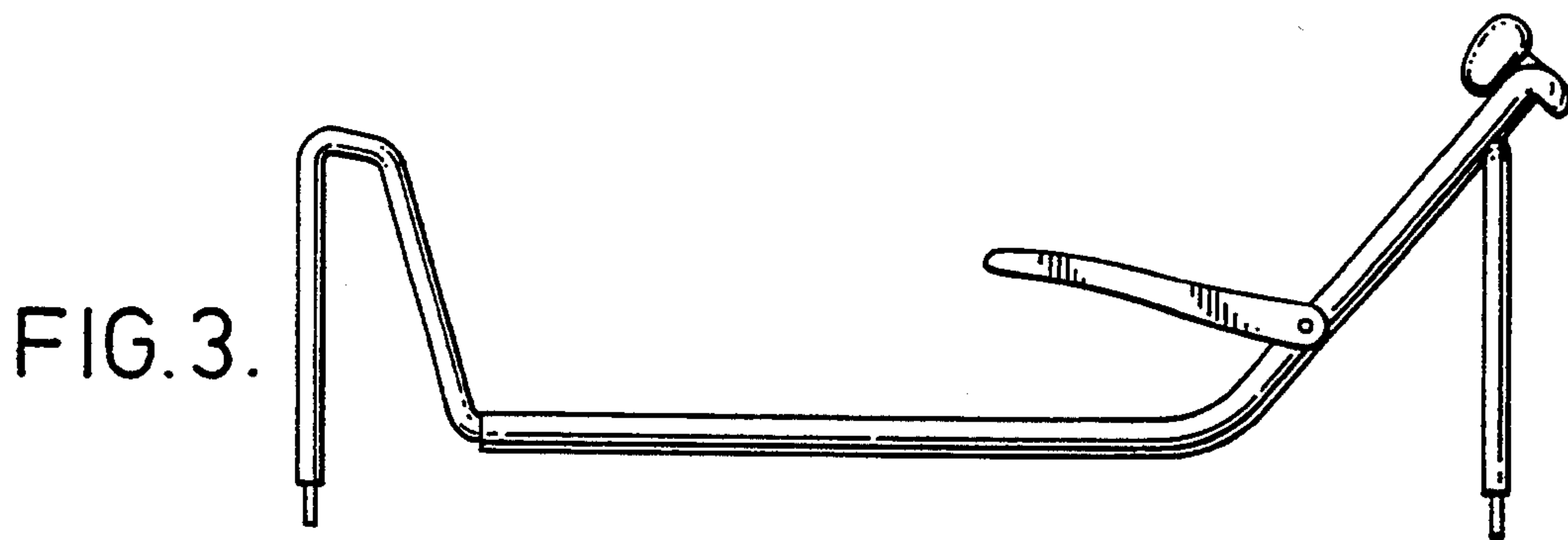
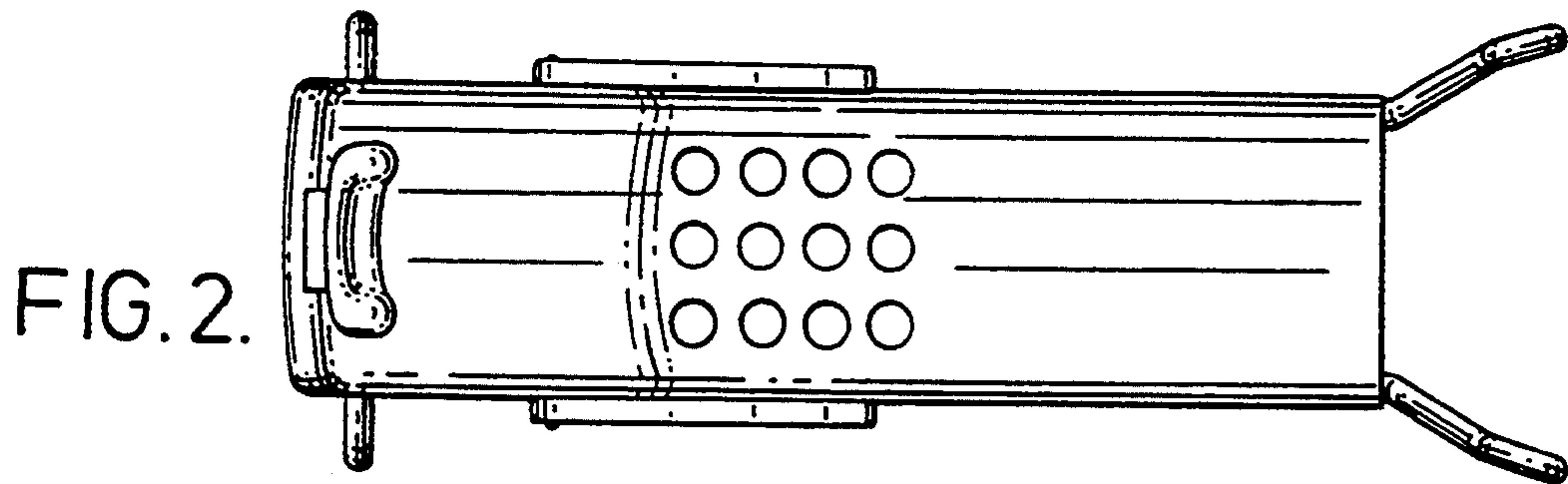
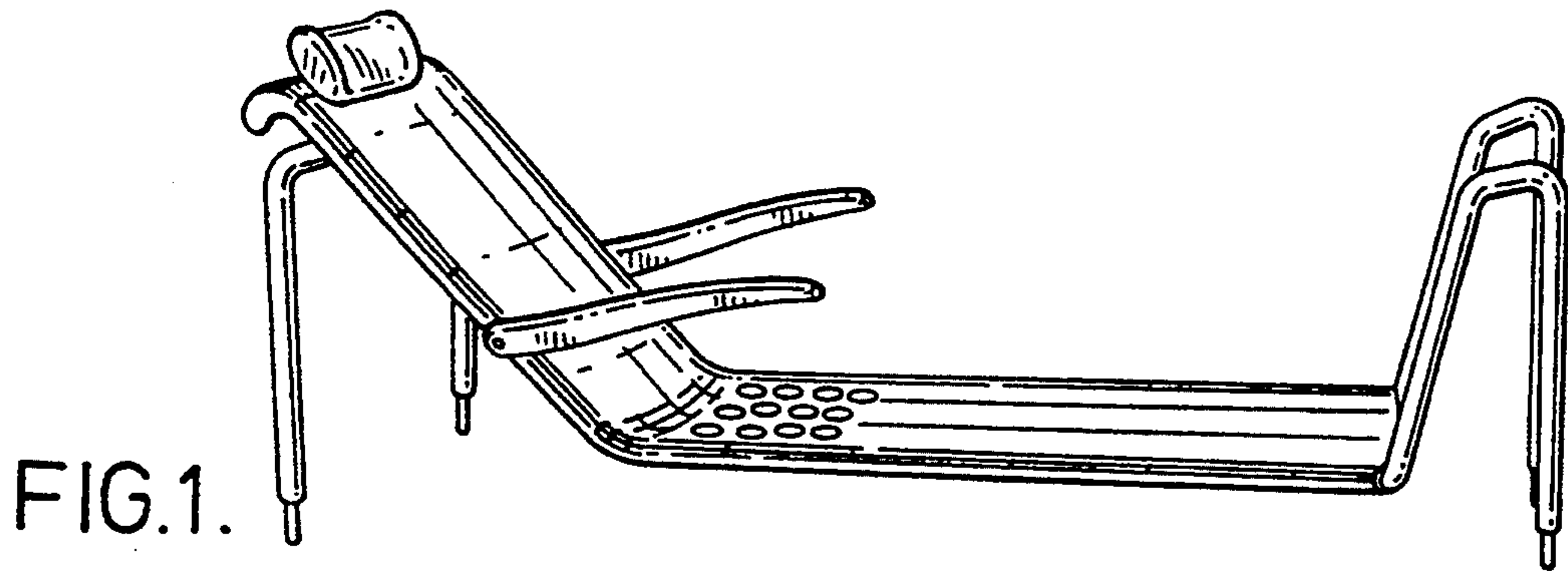
[57] **CLAIM**

The ornamental design for a bathing platform, as shown and described.

DESCRIPTION

FIG. 1 is a perspective view from above and one side; FIG. 2 is a top plan view; FIG. 3 is an elevation of one side, the other side being a mirror image thereof; FIG. 4 is an elevation of one end; and, FIG. 5 is a perspective view from above and one side, in use with a bath. The broken line showing is for illustrative purposes only, and forms no part of the claimed design.





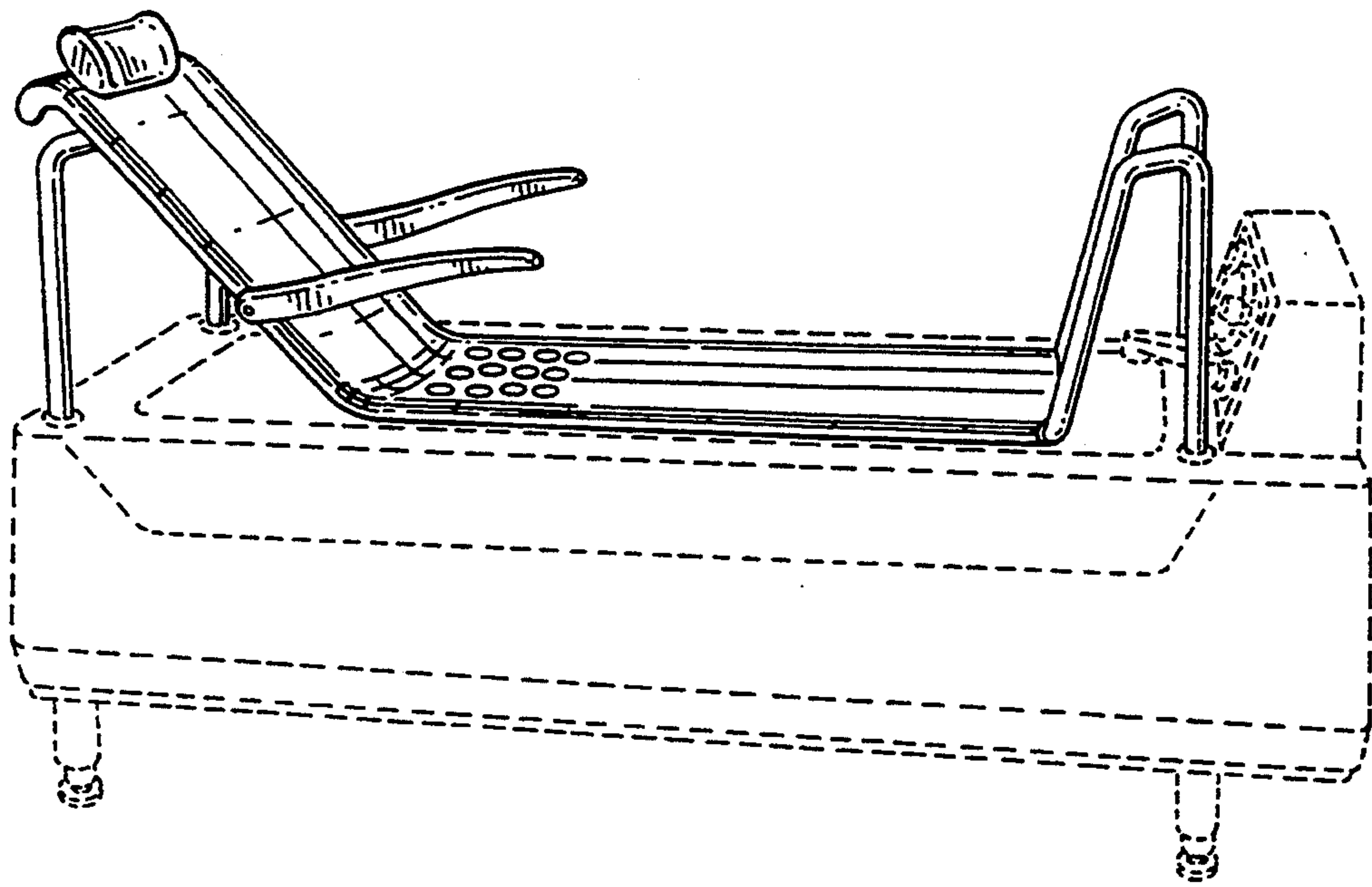


FIG.5.