



US00D352991S

United States Patent [19]

[11] Patent Number: **Des. 352,991**

Kohler, Jr.

[45] Date of Patent: **** Nov. 29, 1994**

[54] FAUCET

[75] Inventor: **Herbert V. Kohler, Jr., Kohler, Wis.**

[73] Assignee: **Jacob Delafon, Paris, France**

[**] Term: **14 Years**

[21] Appl. No.: **15,068**

[22] Filed: **Nov. 5, 1993**

[52] U.S. Cl. **D23/238**

[58] Field of Search **4/675-678; 137/801; D23/238-243, 255-257**

[56] **References Cited**

U.S. PATENT DOCUMENTS

D. 61,953	2/1923	Hitchcock	D23/243
D. 62,740	7/1923	Muend	D23/243
D. 62,864	8/1923	Benjamin	D23/243
D. 67,520	6/1925	Harper	D23/243
D. 72,505	4/1927	Van Eweyk	D23/243
D. 78,619	5/1929	Frankenberger	D23/243
D. 83,674	3/1931	Fraser	D23/240
D. 96,839	9/1935	Johnston	D23/240
D. 111,011	8/1938	Bloch	D23/240
D. 114,200	4/1939	Spollon et al.	D23/238
D. 144,249	3/1946	Hinderer	D23/243
D. 149,344	4/1948	Fitter	D23/240
D. 149,388	4/1948	Stratmore	D23/240
D. 163,545	6/1951	Smolensky	D23/240
D. 245,092	7/1977	Saether	D23/241
D. 258,676	3/1981	Polani	D23/241
D. 293,599	1/1988	Bergmann et al.	D23/238
D. 293,816	1/1988	Bergmann et al.	D23/238
D. 312,118	11/1990	Son	D23/238
D. 315,194	3/1991	Haug et al.	D23/238
D. 340,968	11/1993	McKeone et al.	D23/255
4,606,370	8/1986	Geipel et al.	137/801 X

OTHER PUBLICATIONS

Undated Jacob Delafon ad showing a Model 71540.25 bath/shower mixer, admitted prior art.

Undated p. 291 of a Jacob Delafon catalog showing

Model 71500.25 wall-mounted bath/shower mixer, admitted prior art.

Undated pp. 2-21 of a Kohler catalog showing a Curio faucet, admitted prior art.

Undated Jacob Delafon ad showing a Model 71530.10 bath/shower mixer, admitted prior art.

Undated Jacob Delafon ad showing a Model 71539.10 bath/shower mixer, admitted prior art.

Undated Jacob Delafon ad showing Models 71319.01 and 71329.50 bath/shower mixers, admitted prior art.

Undated Jacob Delafon ad showing Model 71619.02 bath/shower mixer, admitted prior art.

An undated ad of Herbau Creations France showing a ligne "Cuisine" faucet, admitted prior art.

Primary Examiner—James R. Largen
Attorney, Agent, or Firm—Quarles & Brady

[57] **CLAIM**

The ornamental design for a faucet, as shown and described.

DESCRIPTION

FIG. 1 is a perspective view taken from the top, front and left side of a faucet embodying my new design;

FIG. 2 is a top plan view thereof;

FIG. 3 is a right side elevational view thereof, the left side being a mirror image of the right side;

FIG. 4 is a bottom plan view thereof;

FIG. 5 is a rear elevational view thereof;

FIG. 6 is a front elevational view thereof;

FIG. 7 is a perspective view taken from the top, front and left side of a second embodiment of my new design;

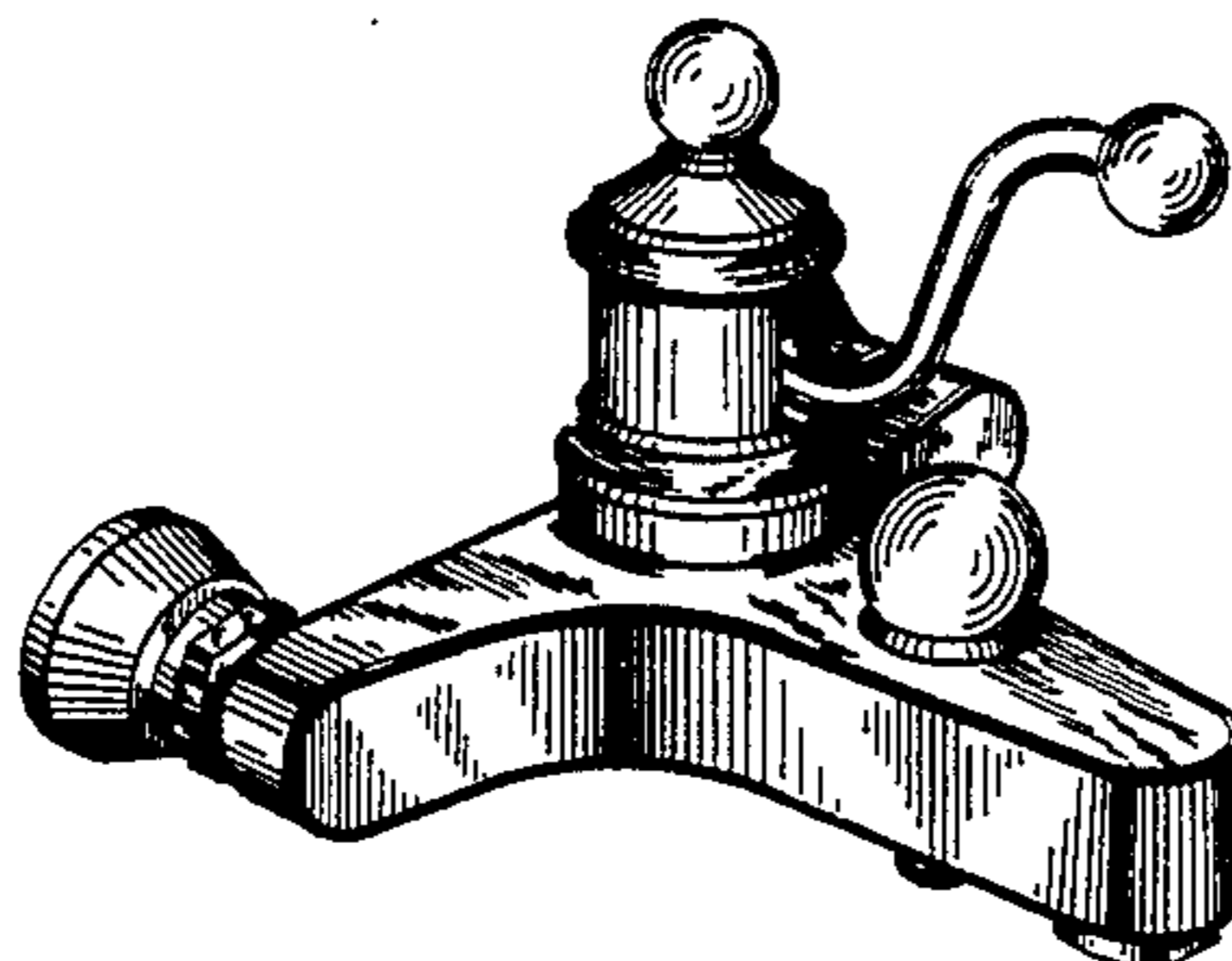
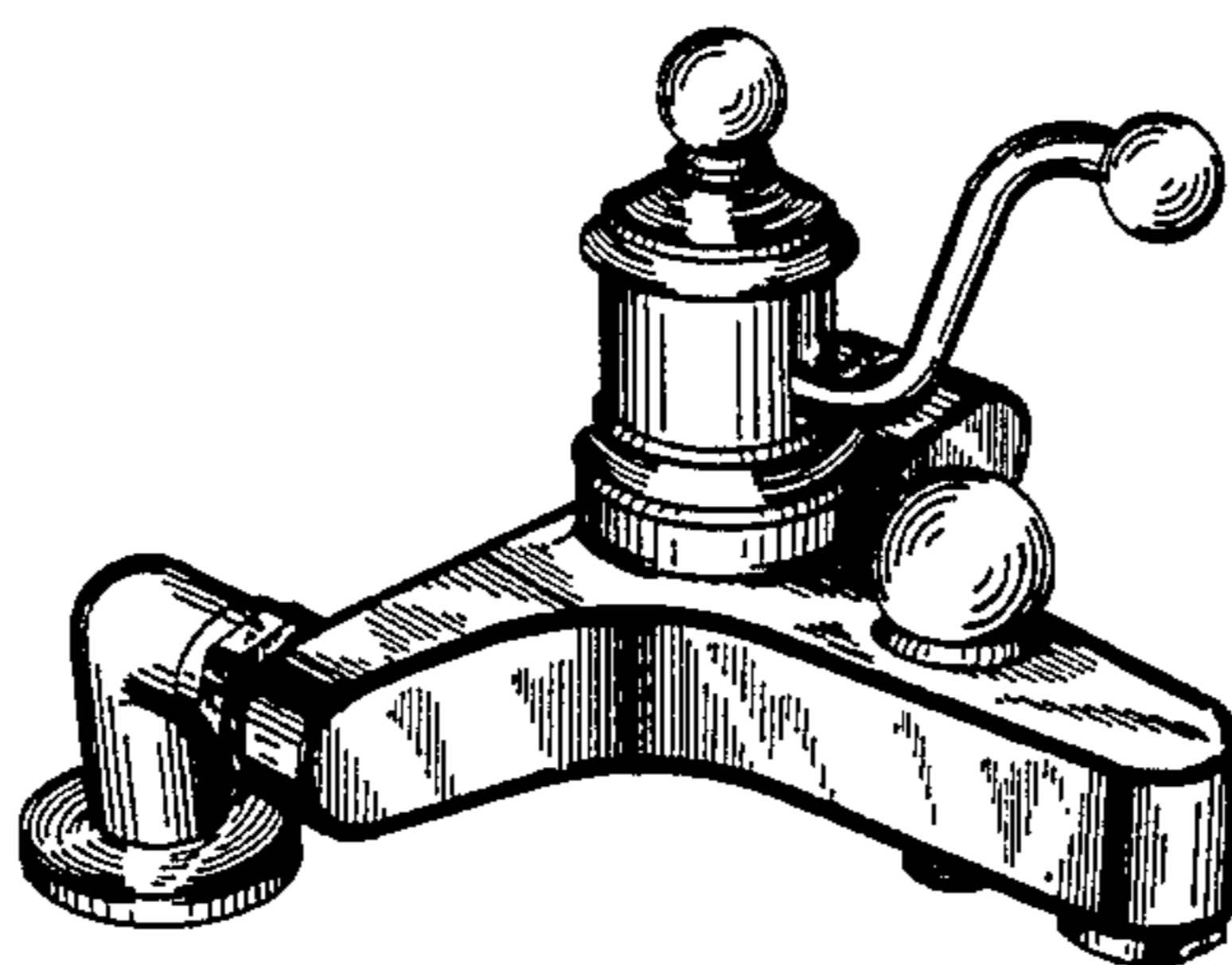
FIG. 8 is a top plan view of FIG. 7;

FIG. 9 is a right side elevational view of FIG. 7, the left side being the mirror image of the right side;

FIG. 10 is a bottom plan view of FIG. 7;

FIG. 11 is a rear elevational view of FIG. 7; and,

FIG. 12 is a front elevational view of FIG. 7.



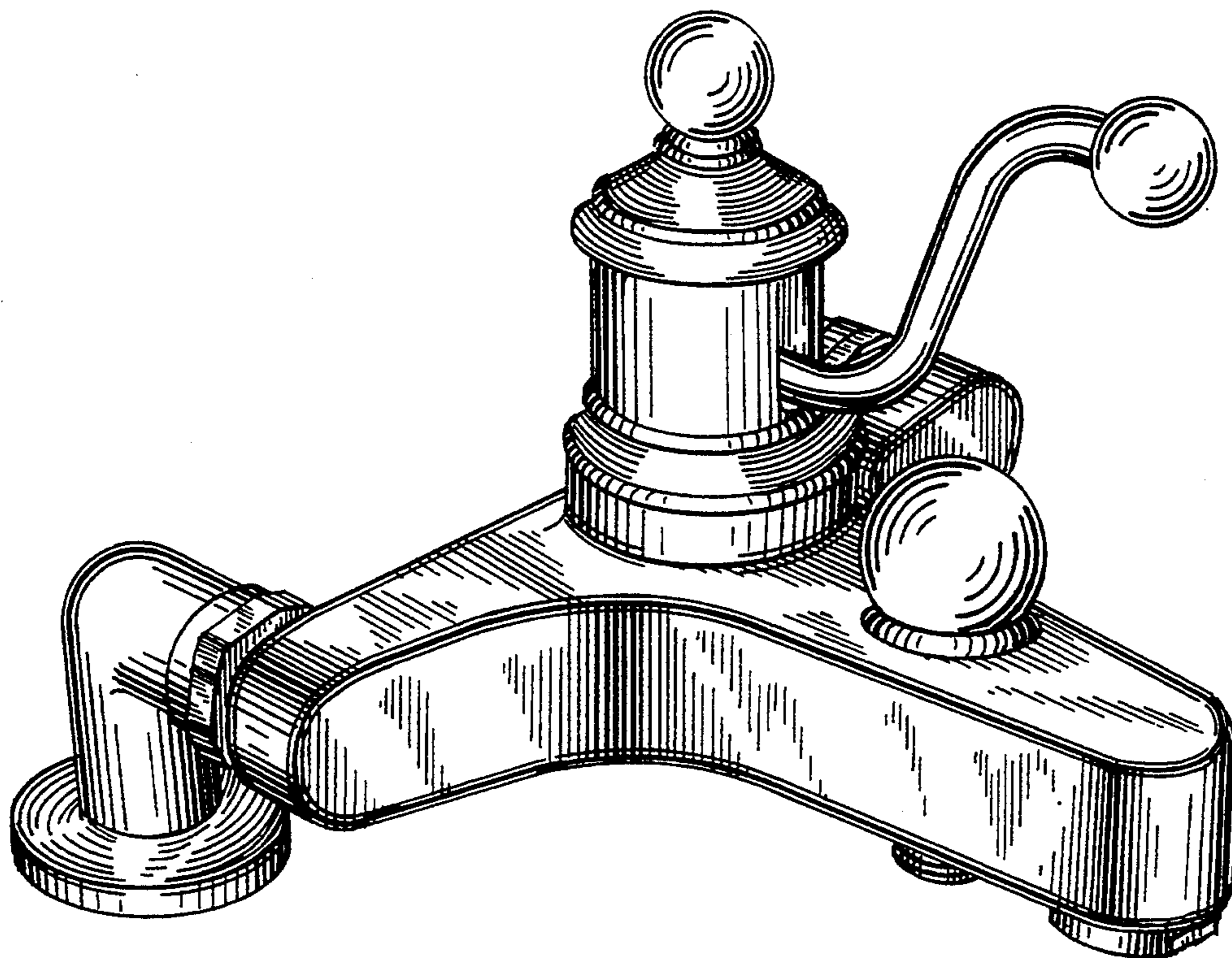


FIG. 1

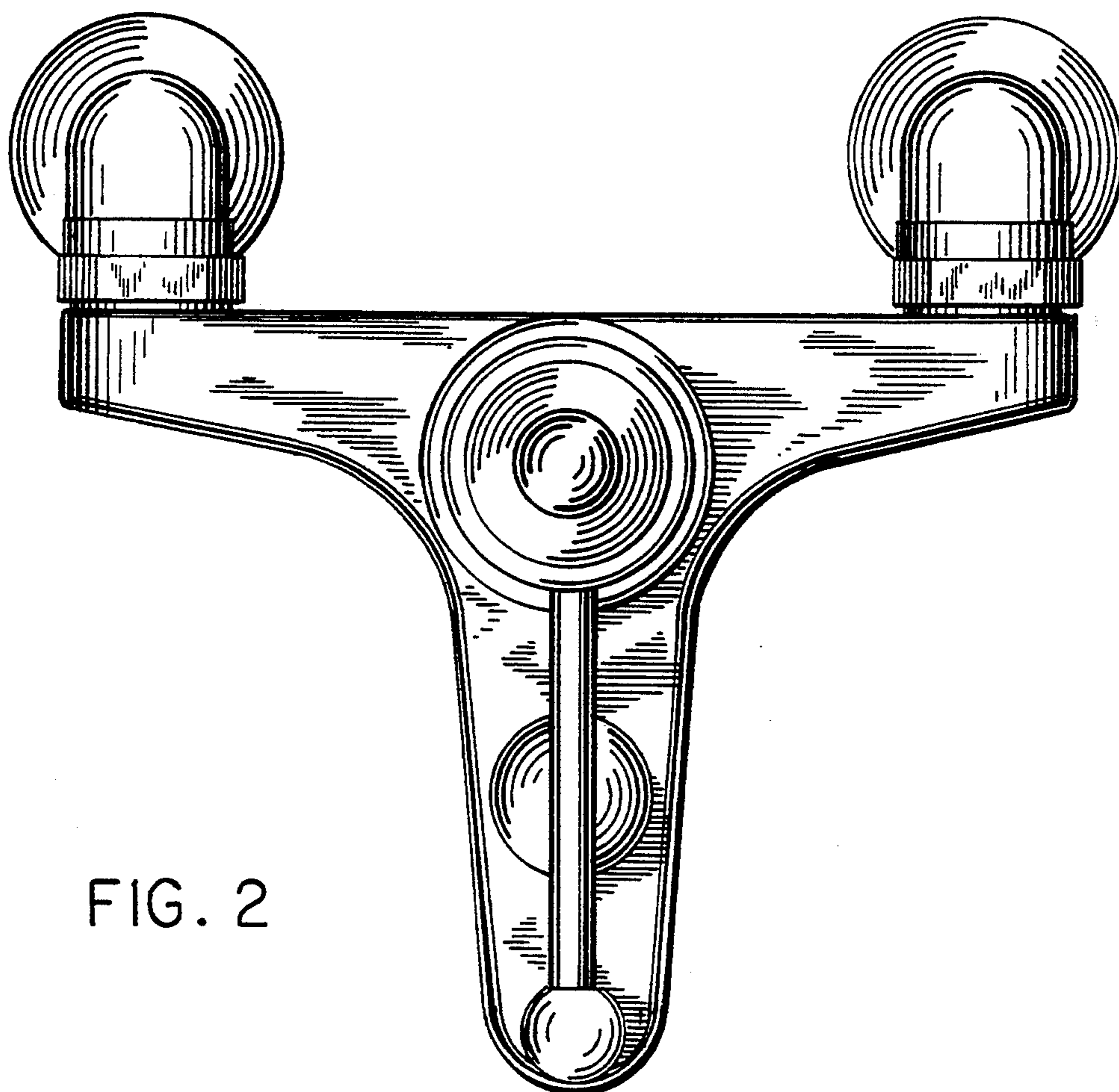


FIG. 2

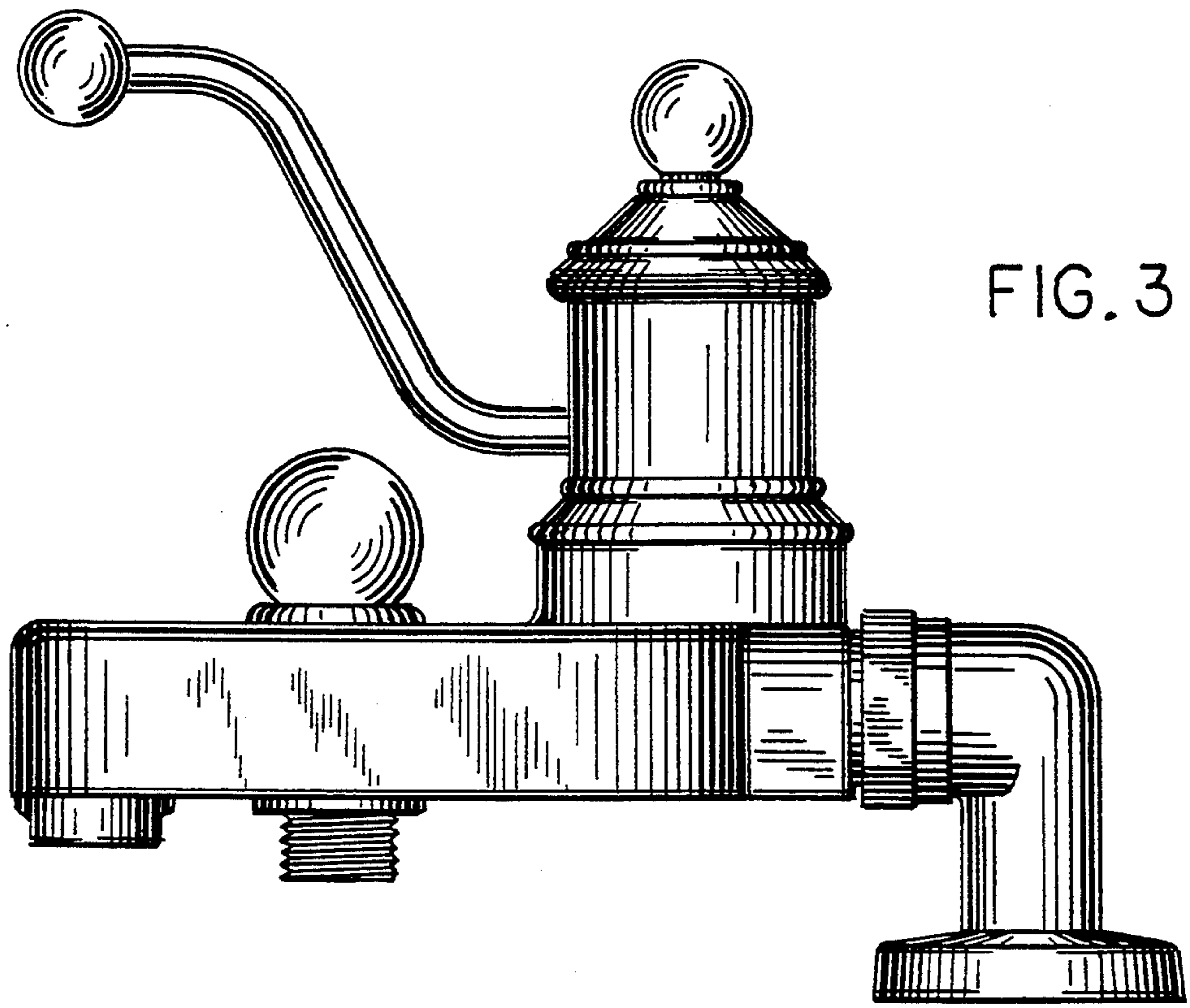


FIG. 3

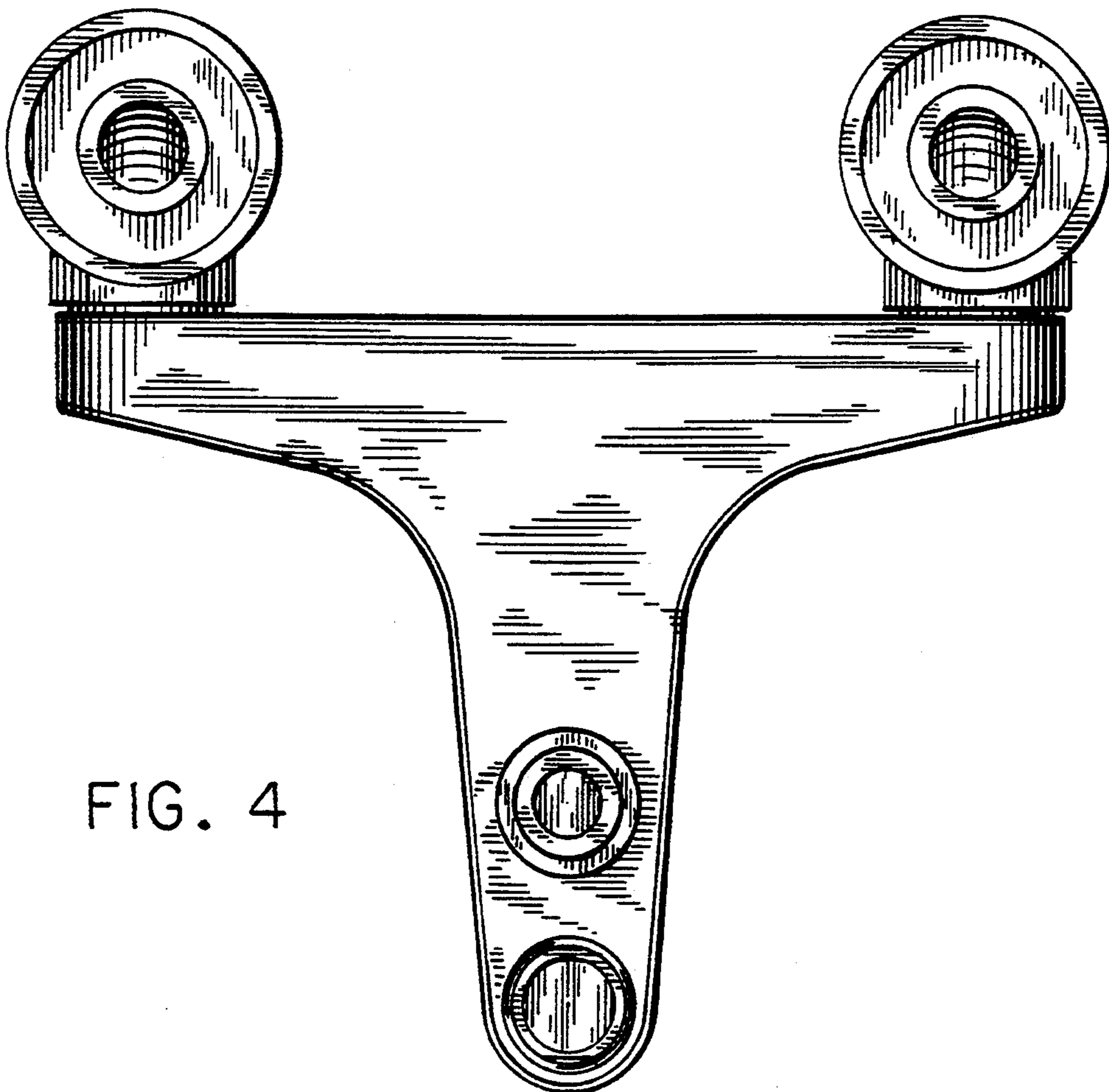
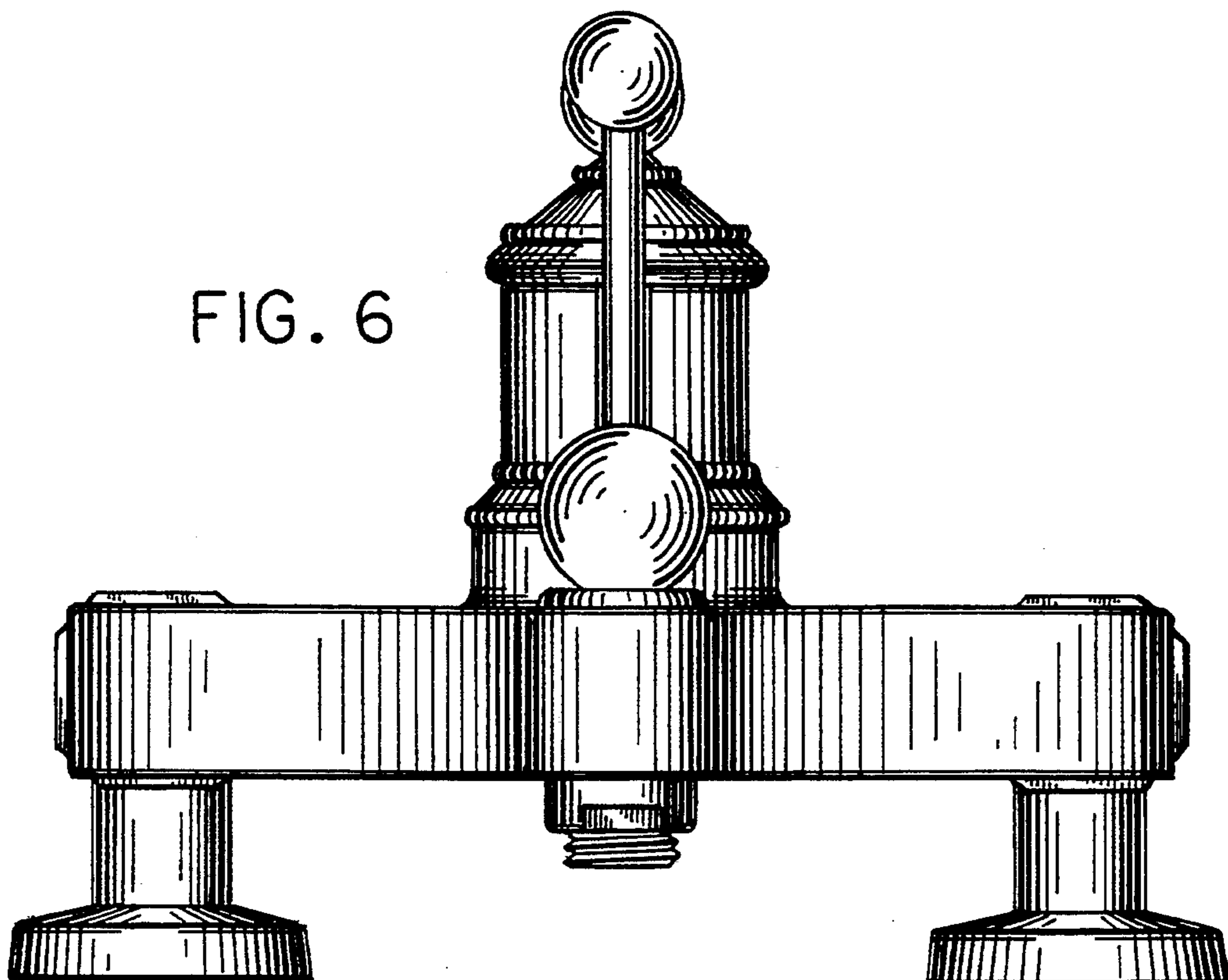
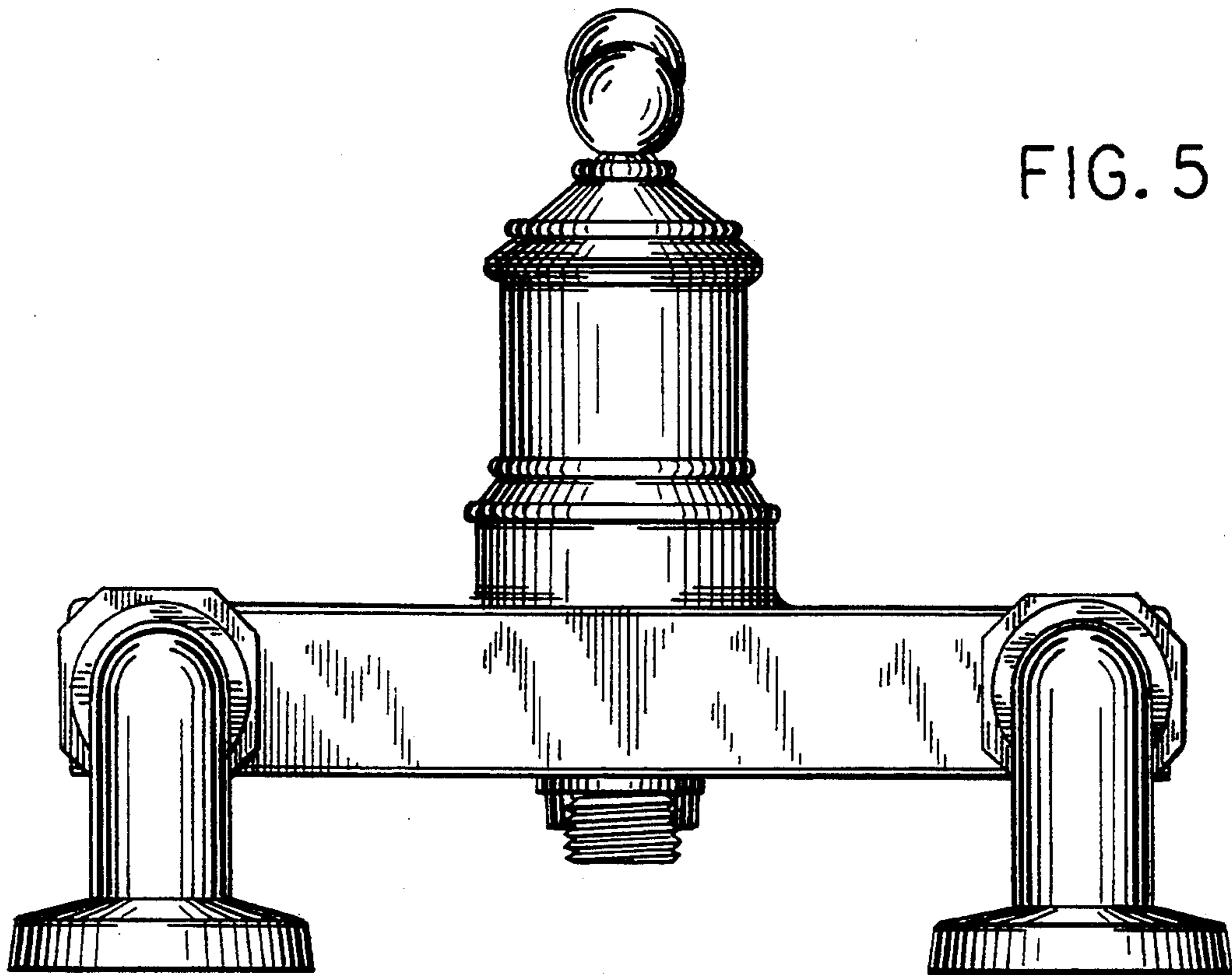


FIG. 4



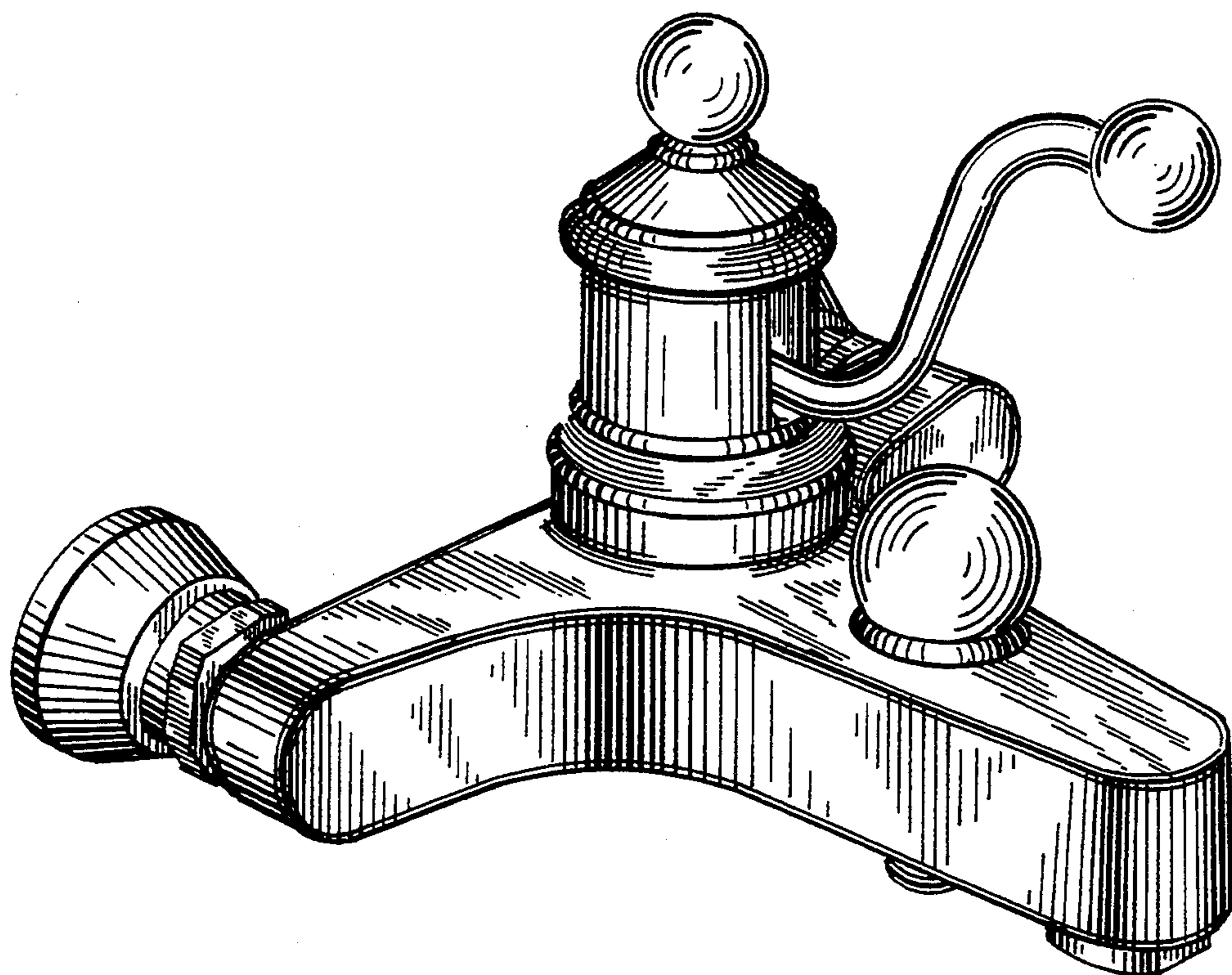


FIG. 7

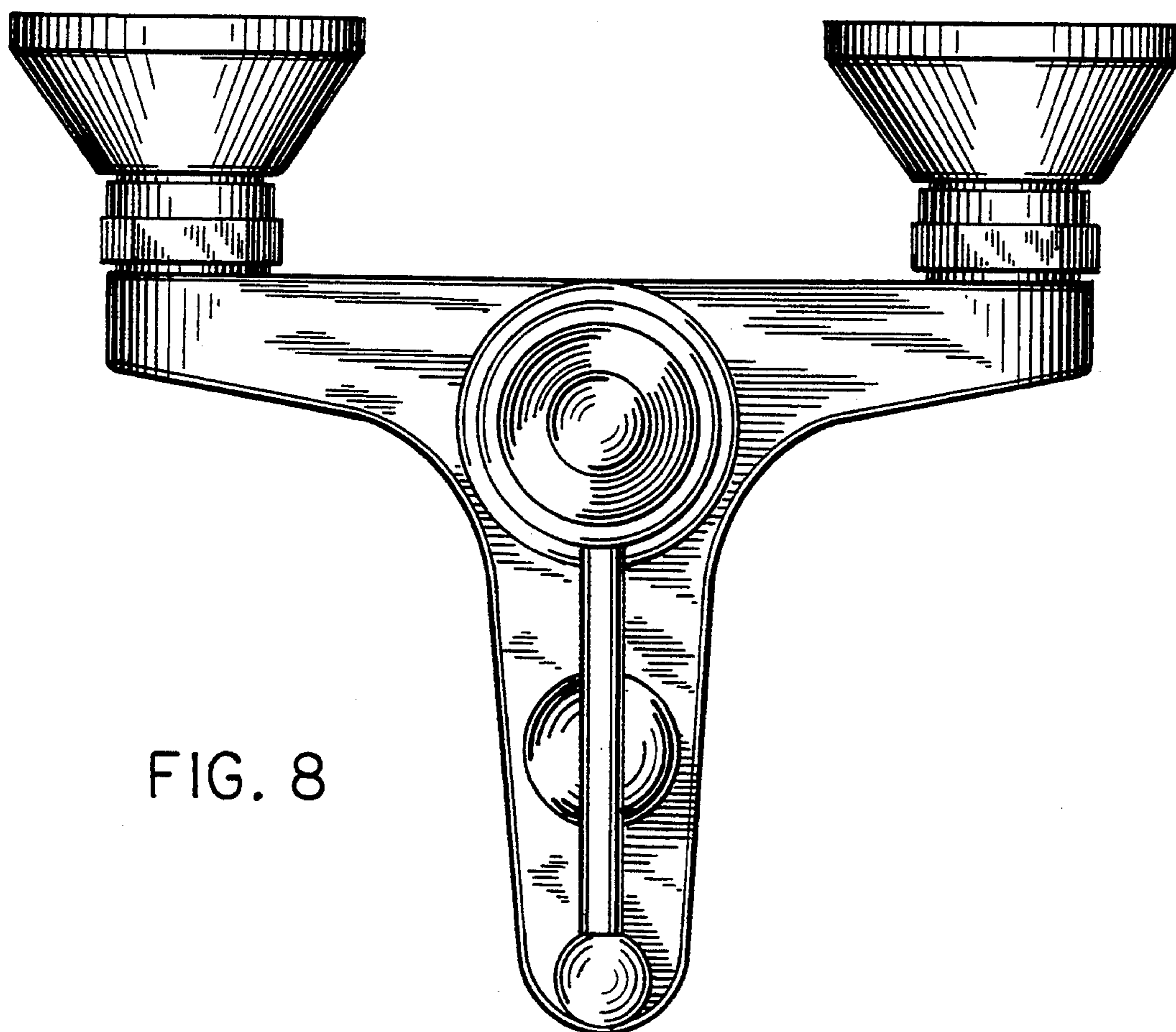


FIG. 8

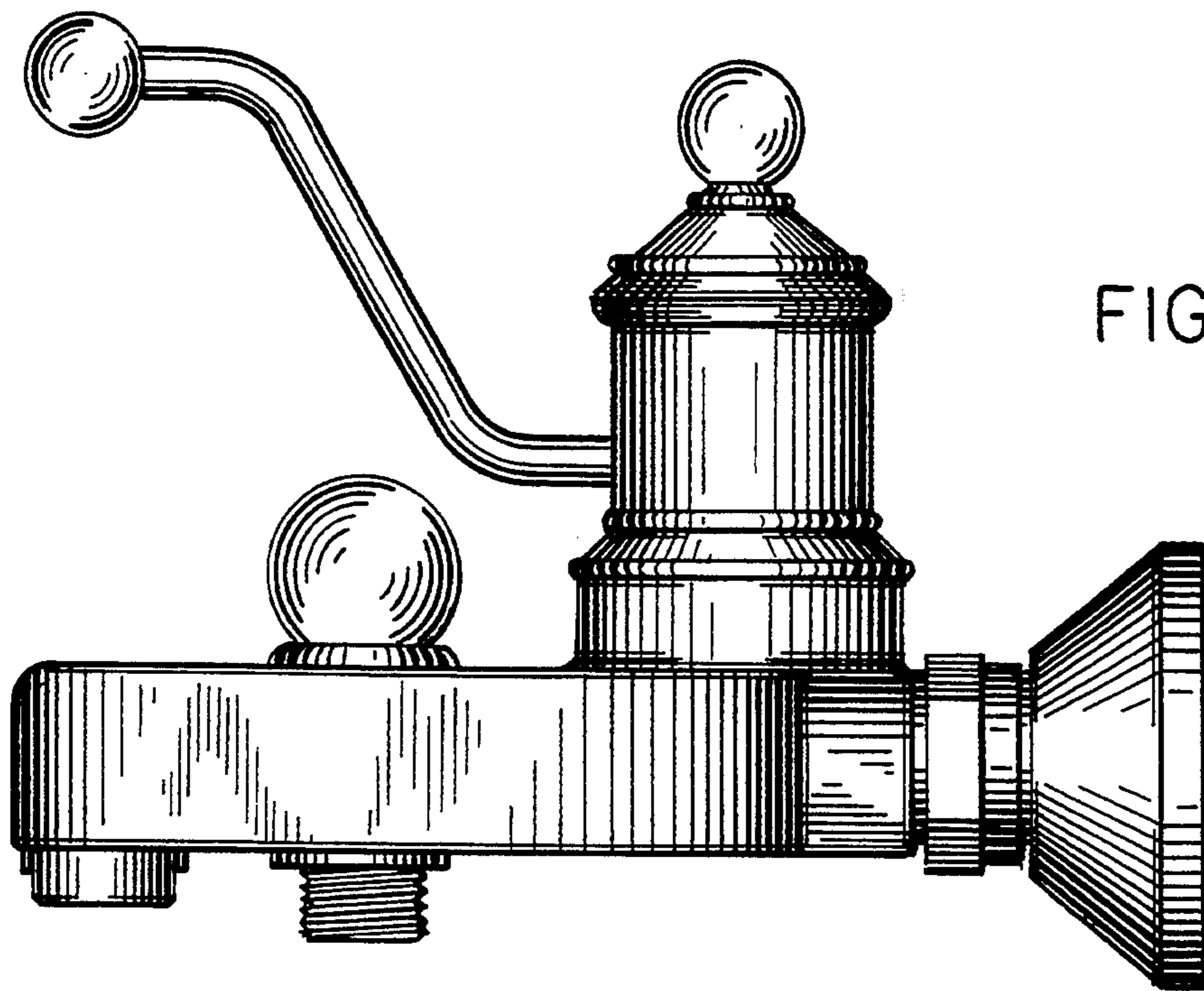


FIG. 9

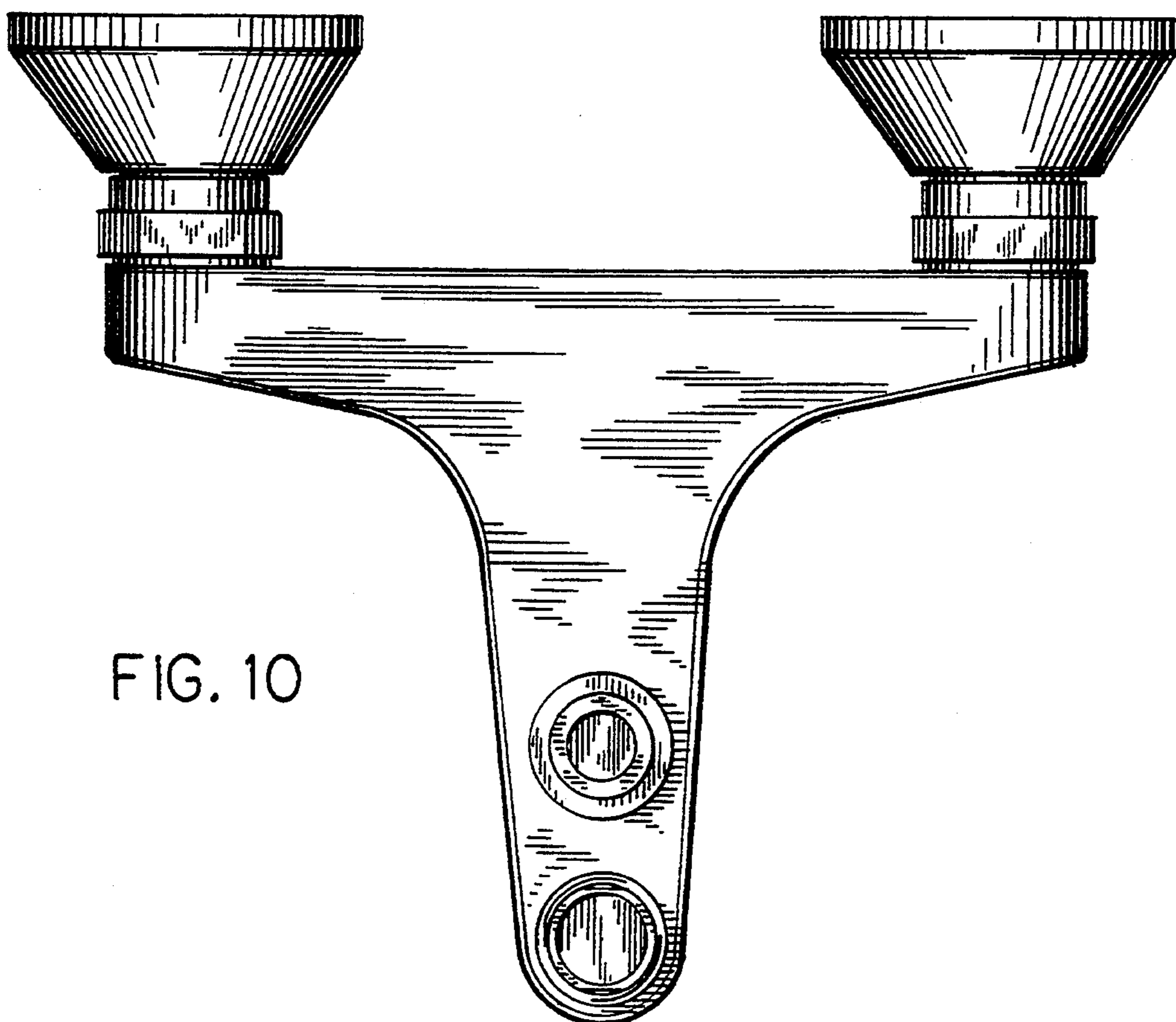


FIG. 10

