



US00D352990S

United States Patent [19]

[11] Patent Number: **Des. 352,990**

Sparks et al.

[45] Date of Patent: **** Nov. 29, 1994**

[54] **COMBINED FUNNEL FOR A USED OIL FILTER AND CONTAINER FOR GATHERING RESIDUAL OIL**

D. 308,002	5/1990	Dohrmann	D7/700
D. 340,731	10/1993	Pollak et al.	D7/700 X
4,613,437	9/1986	Wiand	210/416.5 X
4,880,156	11/1989	Wallet	D15/152 X
5,066,391	11/1991	Faria	210/416.5 X
5,069,799	12/1991	Brownawell et al.	210/416.5 X

[76] Inventors: **Duane Sparks**, R.R. 1, Box 335, Annandale, Minn. 55302; **Alan Violet**, Rte. 1, Box 95I, Buffalo, Minn. 55313; **David Brenner**, 16640 Luther Way, Eden Prairie, Minn. 55346

Primary Examiner—Wallace R. Burke
Assistant Examiner—M. H. Tung
Attorney, Agent, or Firm—Kinney & Lange

[**] Term: **14 Years**

[57] **CLAIM**

[21] Appl. No.: **837,408**

The ornamental design for a combined funnel for a used oil filter and container for gathering residual oil, as shown and described.

[22] Filed: **Feb. 18, 1992**

DESCRIPTION

[52] U.S. Cl. **D23/200**

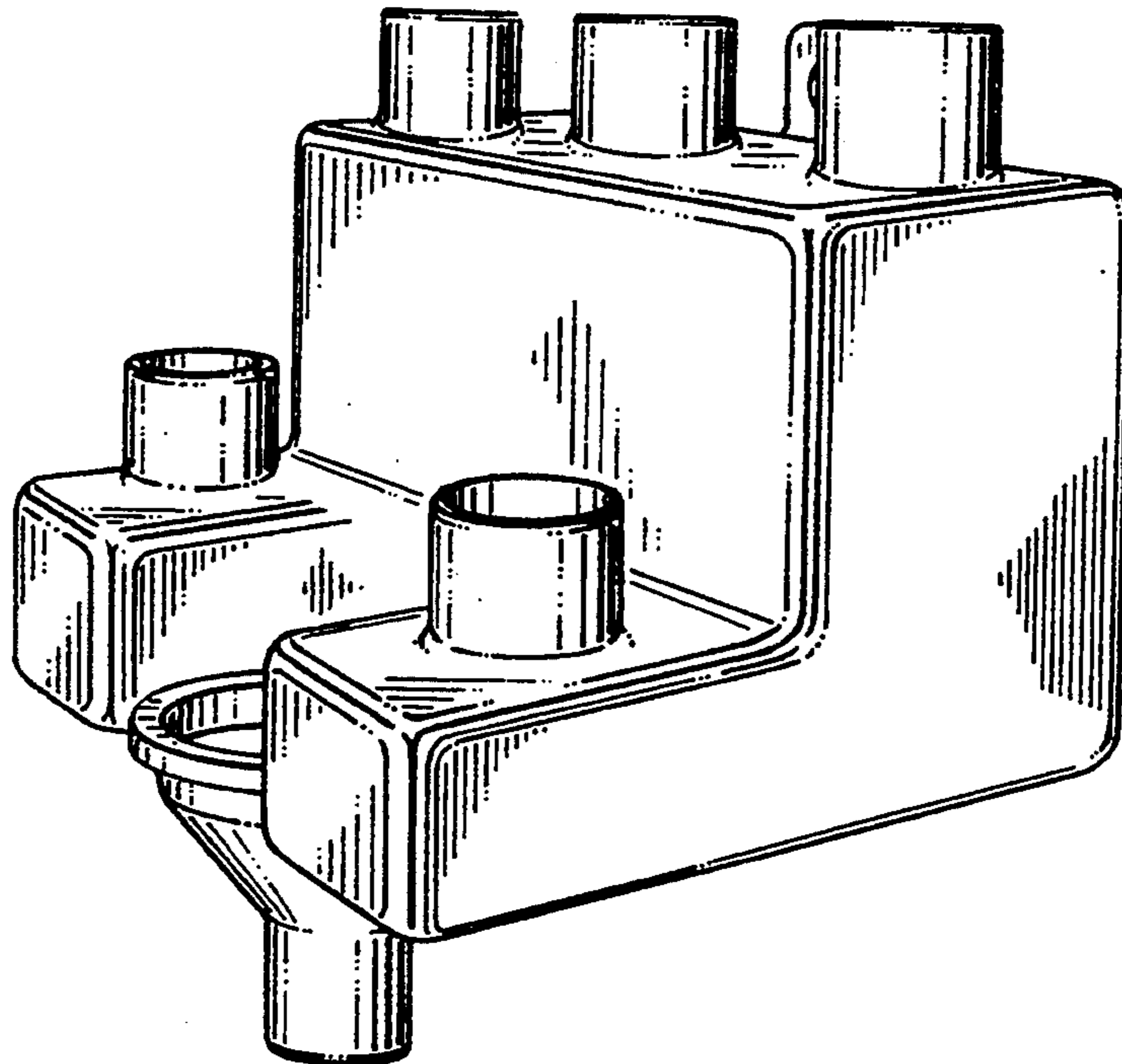
[58] Field of Search 210/321.6, 416.5, 174, 210/160-163; D7/700, 619; 141/89, 332, 339; D23/200, 202; D15/150-152

FIG. 1 is a perspective view of a combined funnel for a used oil filter and container for gathering residual oil, showing our new design;
FIG. 2 is a front plan view thereof;
FIG. 3 is a side elevational view thereof;
FIG. 4 is a back elevational view thereof;
FIG. 5 is a top elevational view thereof; and,
FIG. 6 is a bottom elevational view.

[56] **References Cited**

U.S. PATENT DOCUMENTS

D. 147,737 10/1947 Stone D7/700



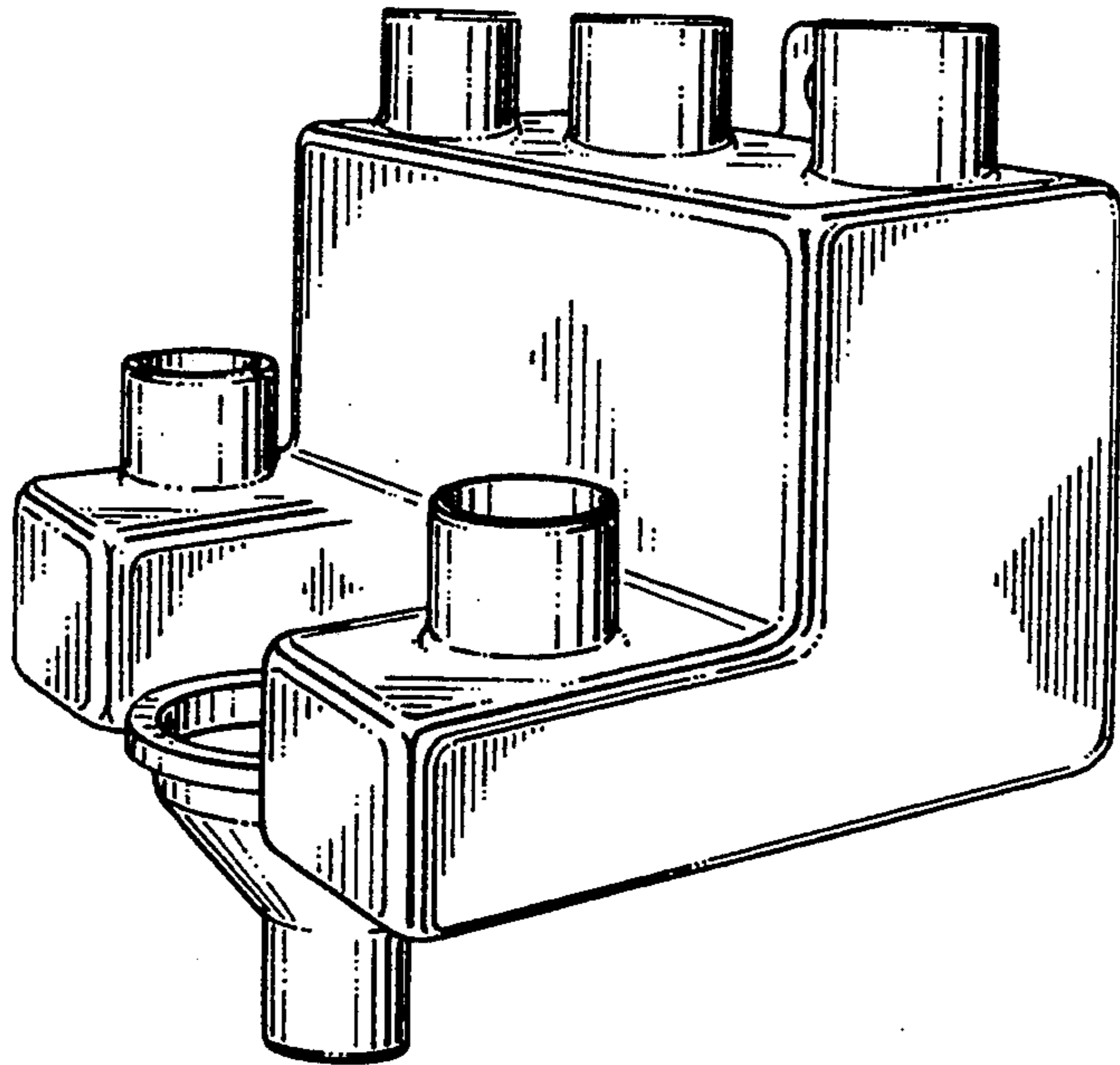


Fig. 1

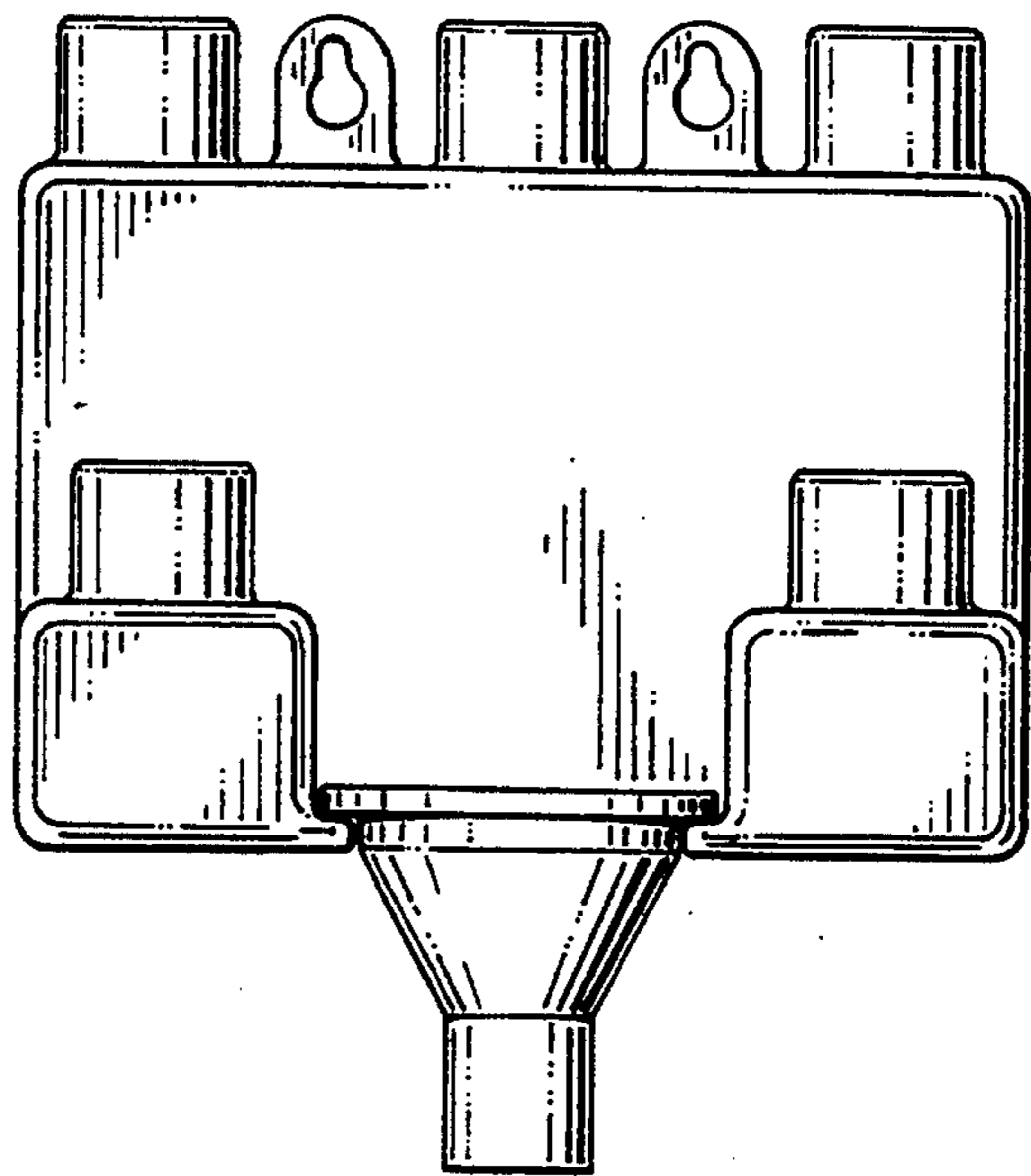


Fig. 2

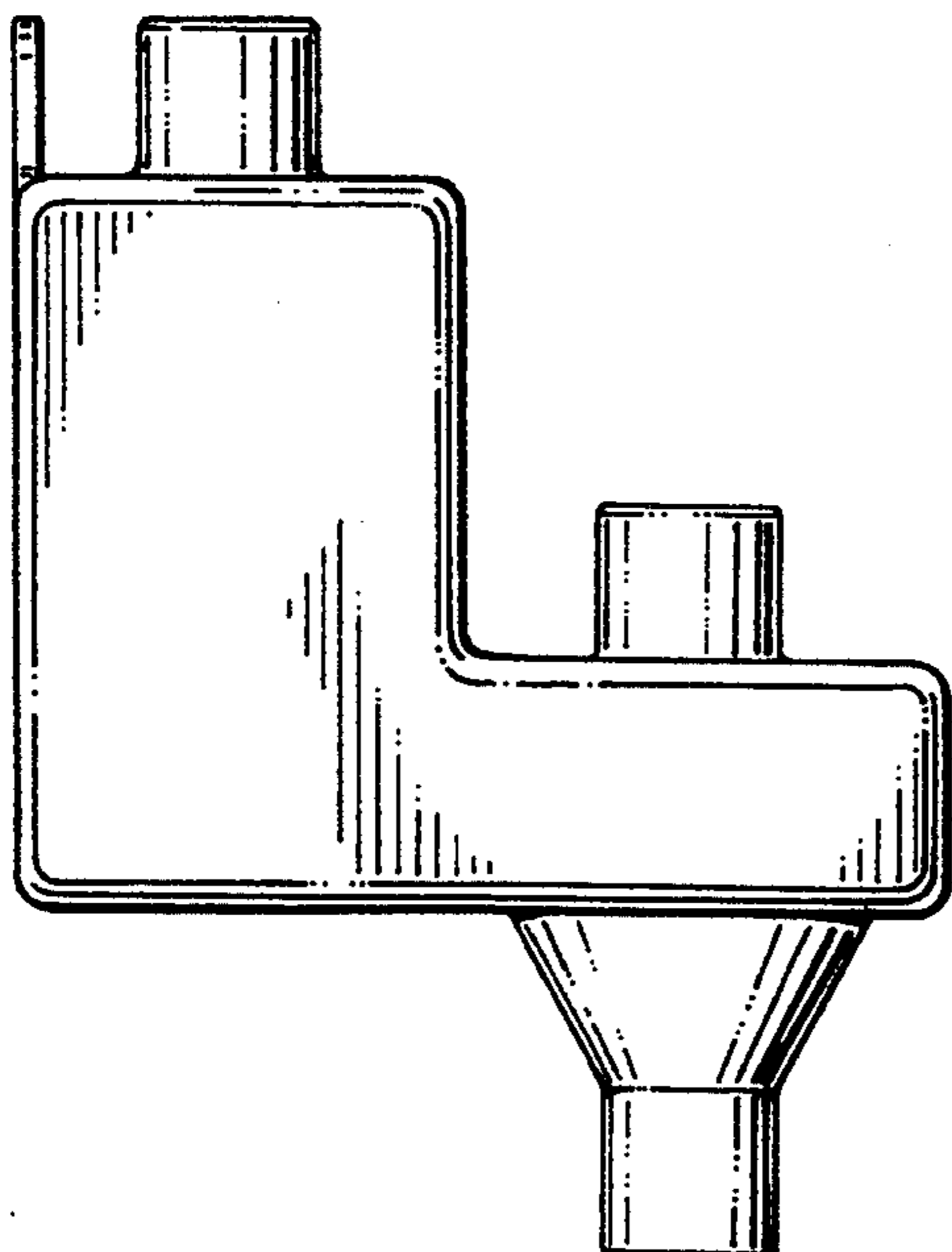


Fig. 3

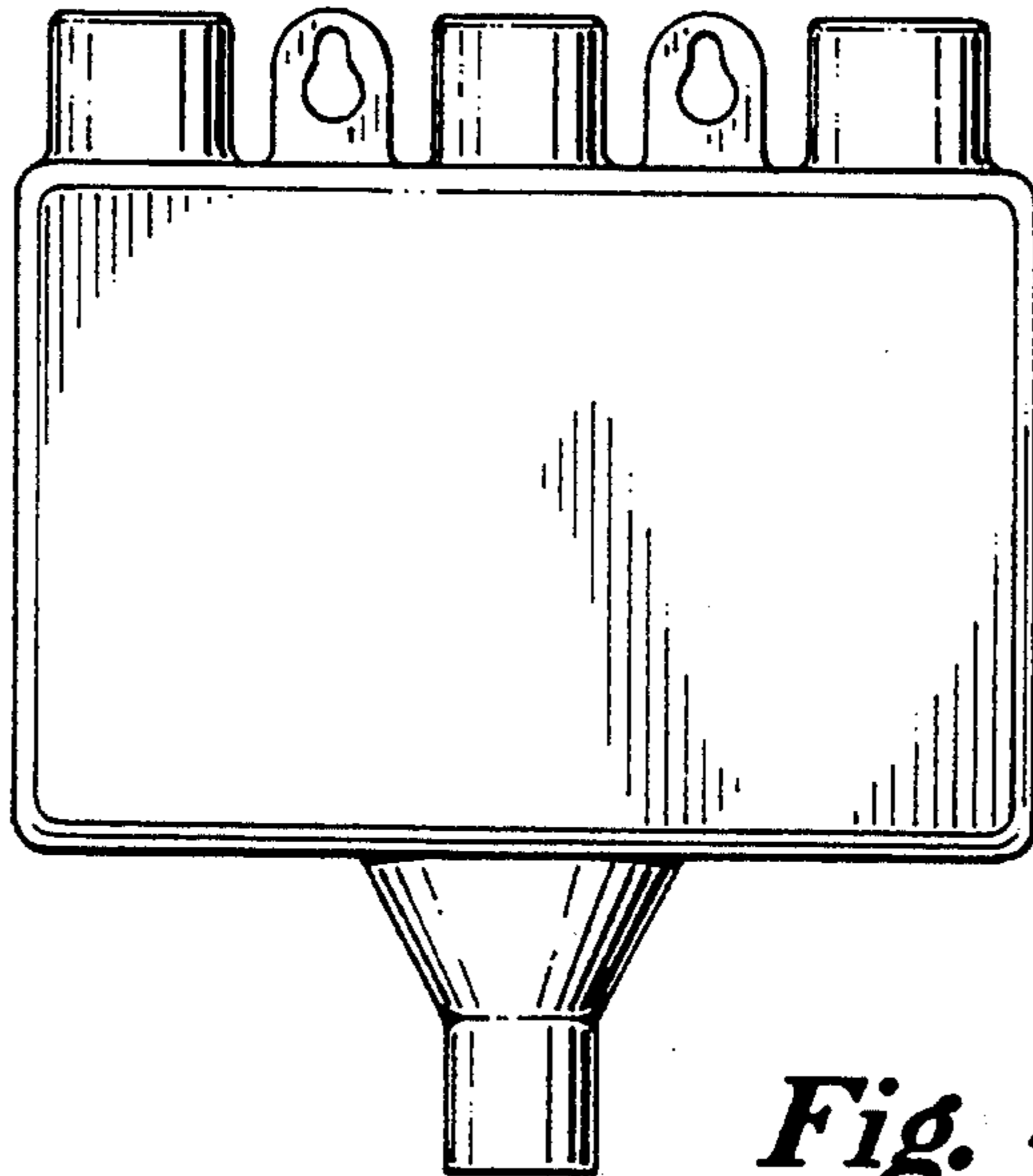


Fig. 4

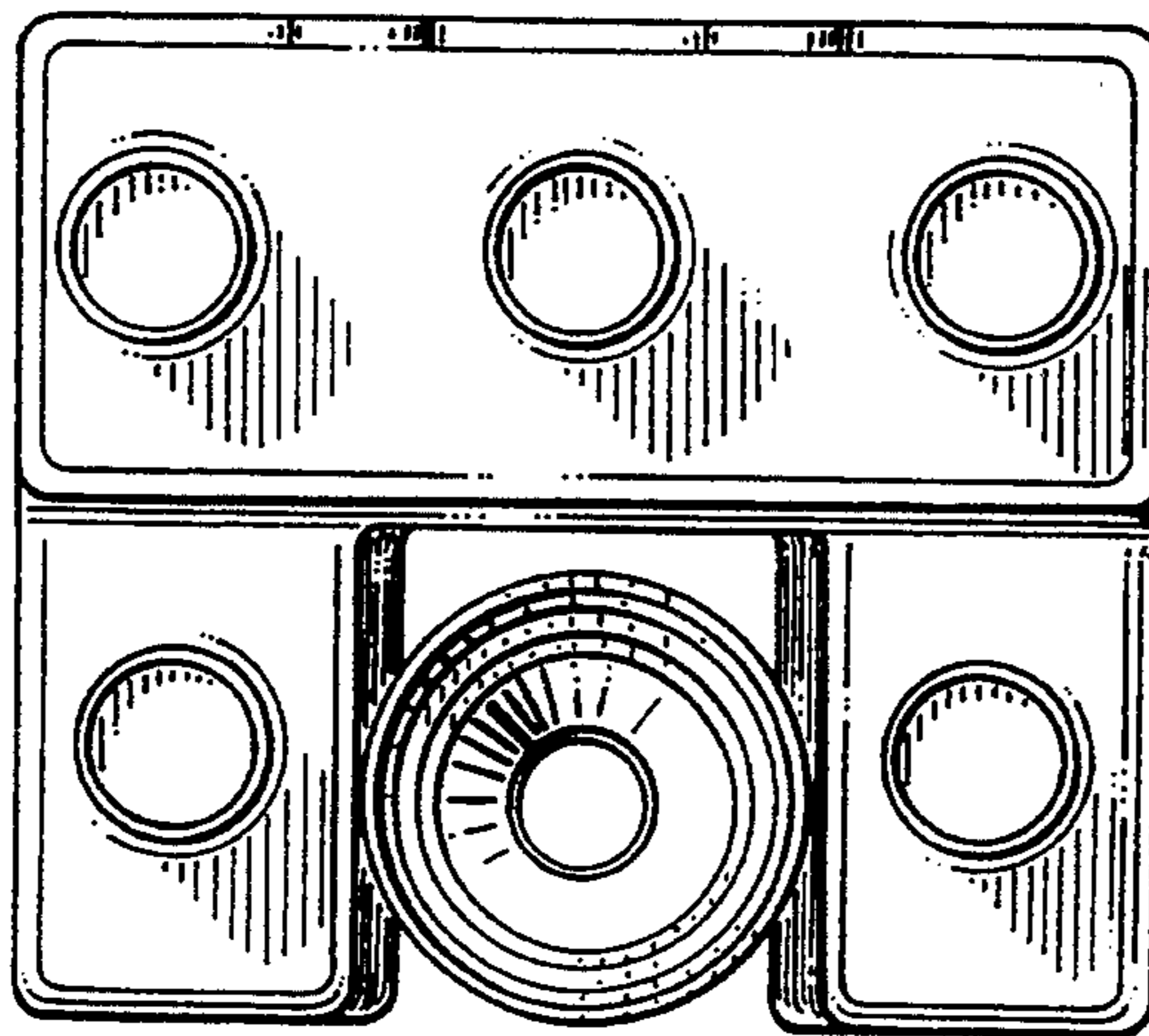


Fig. 5

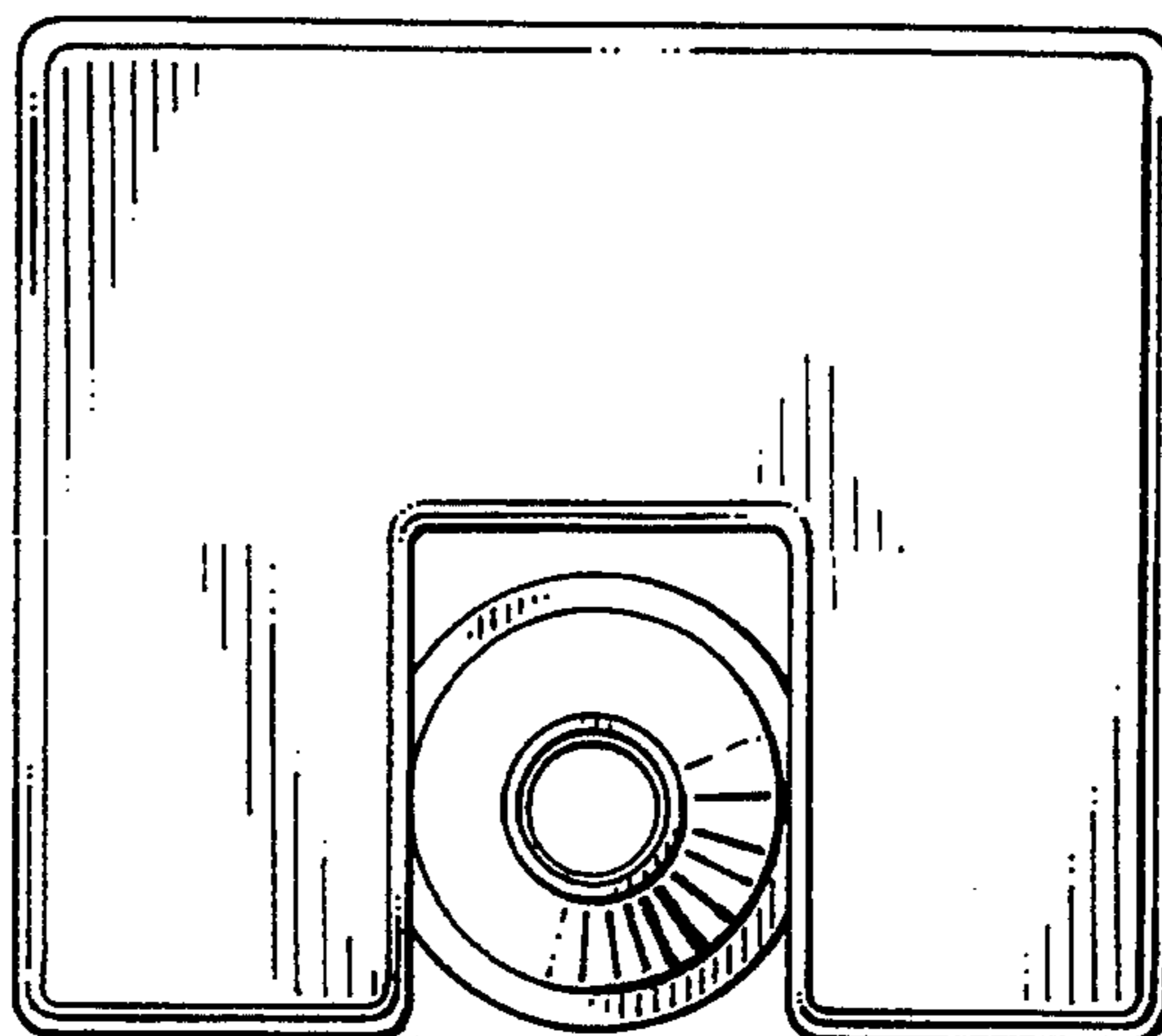


Fig. 6