



US00D352989S

# United States Patent [19] Park

[11] Patent Number: **Des. 352,989**

[45] Date of Patent: **\*\* Nov. 29, 1994**

[54] **SPINNING REEL FOR FISHING**  
[75] Inventor: **Bo K. Park**, Busan, Rep. of Korea  
[73] Assignee: **Silver Star Co., Ltd.**, Busan, Rep. of Korea  
[\*\*] Term: **14 Years**  
[21] Appl. No.: **2,015**  
[22] Filed: **Nov. 30, 1992**

D. 302,843 8/1989 Myojo ..... D22/140  
D. 310,116 8/1990 Effinger ..... D22/140  
1,460,151 6/1923 Case ..... 242/320 X  
2,624,524 1/1953 Laing ..... 242/279 X

*Primary Examiner*—A. Hugo Word  
*Assistant Examiner*—Doris V. Coles  
*Attorney, Agent, or Firm*—Beveridge, DeGrandi,  
Weilacher & Young

[30] **Foreign Application Priority Data**  
Aug. 28, 1992 [KR] Rep. of Korea ..... 14614/1992  
[52] U.S. Cl. .... **D22/140**  
[58] Field of Search ..... 242/320, 279, 257-262;  
D22/140, 137

### [57] CLAIM

The ornamental design for a spinning reel for fishing, as shown.

[56] **References Cited**  
**U.S. PATENT DOCUMENTS**  
D. 294,726 3/1988 Nakamura ..... D22/140  
D. 299,509 1/1989 Inuma et al. .... D22/140

### DESCRIPTION

FIG. 1 is a perspective view thereof;  
FIG. 2 is a front elevational view thereof;  
FIG. 3 is a rear elevational view thereof;  
FIG. 4 is a left side elevational view thereof;  
FIG. 5 is a right side elevational view thereof;  
FIG. 6 is a top plan view thereof; and,  
FIG. 7 is a bottom plan view thereof.

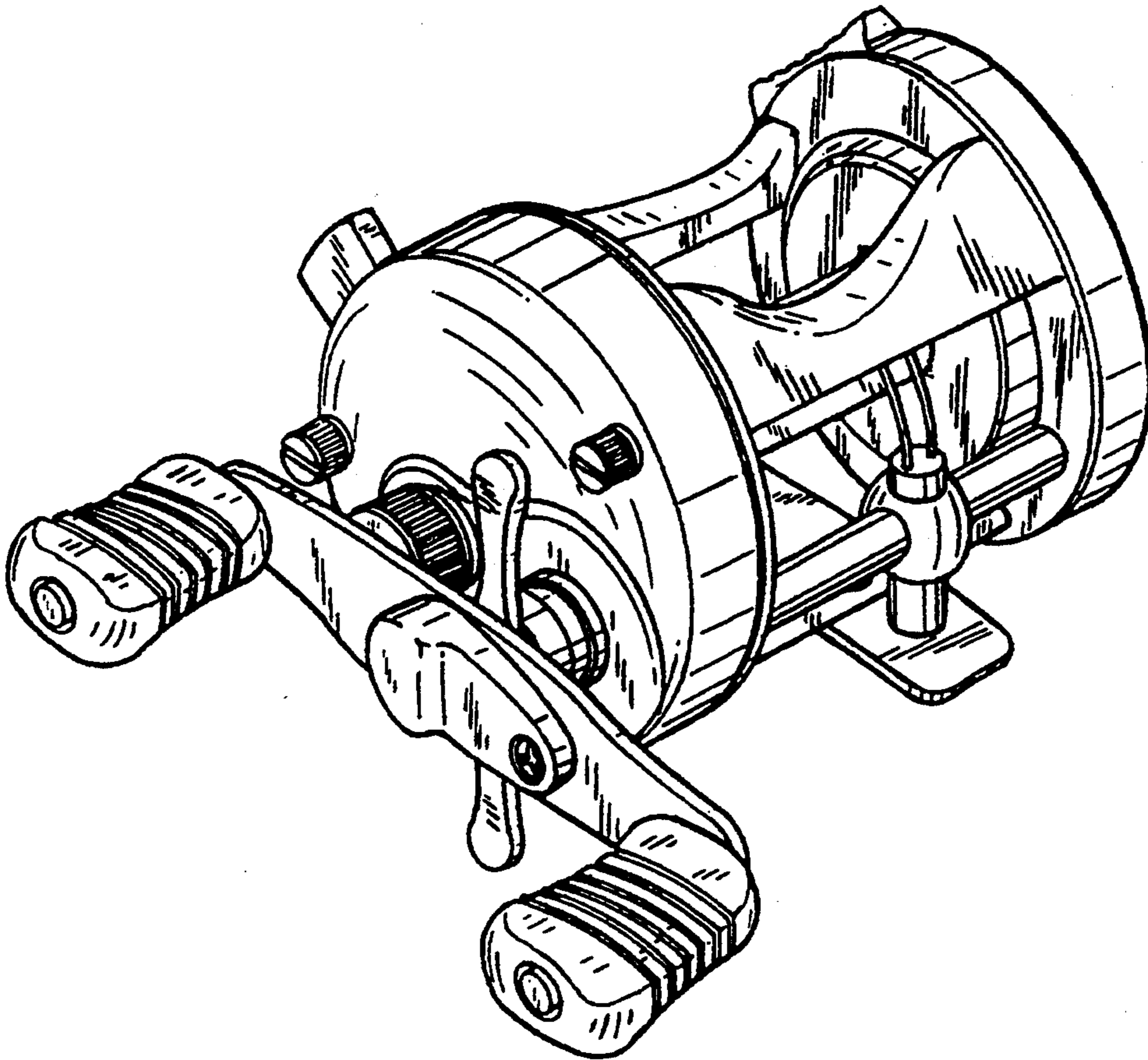


FIG. 1

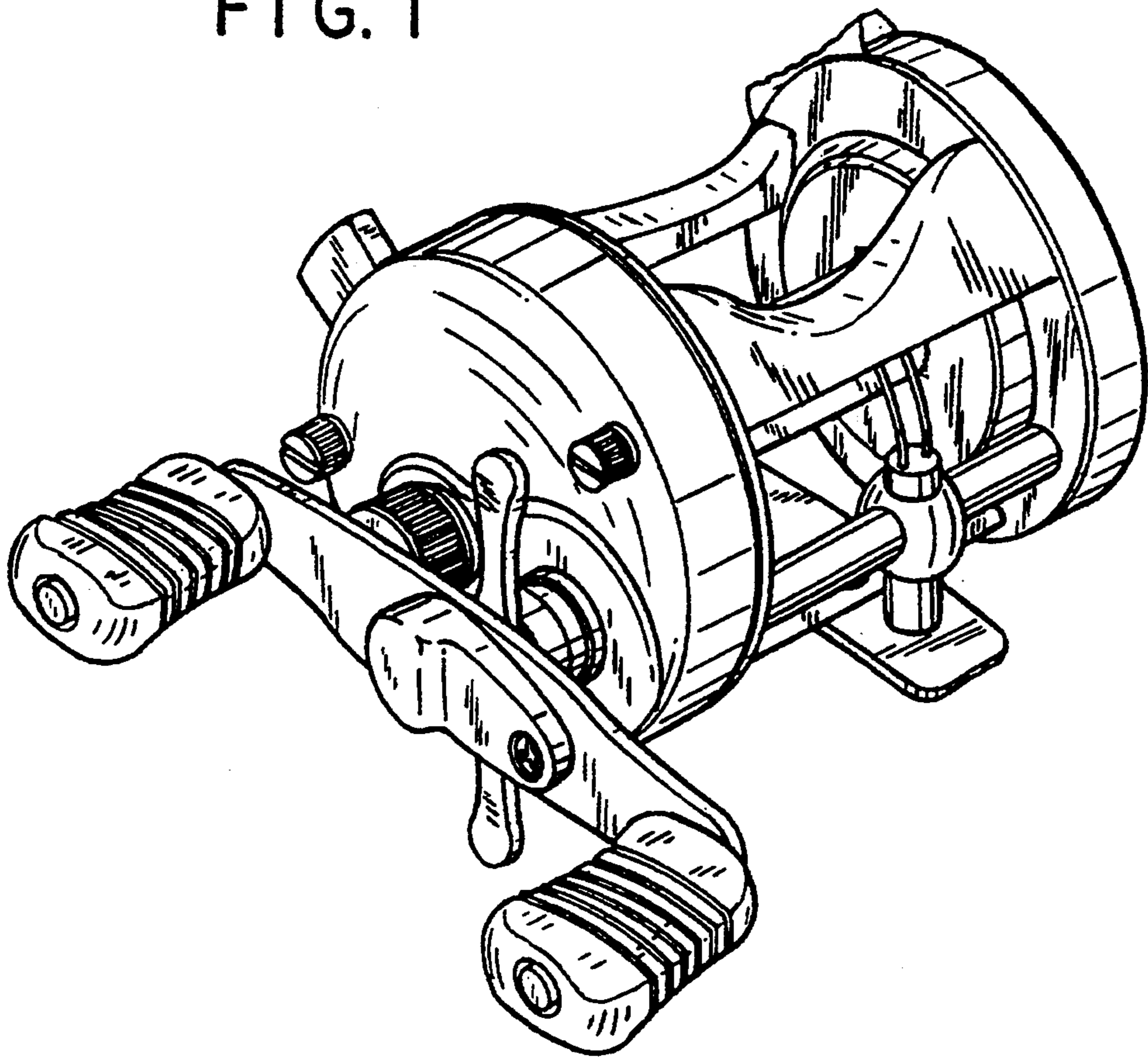


FIG. 2

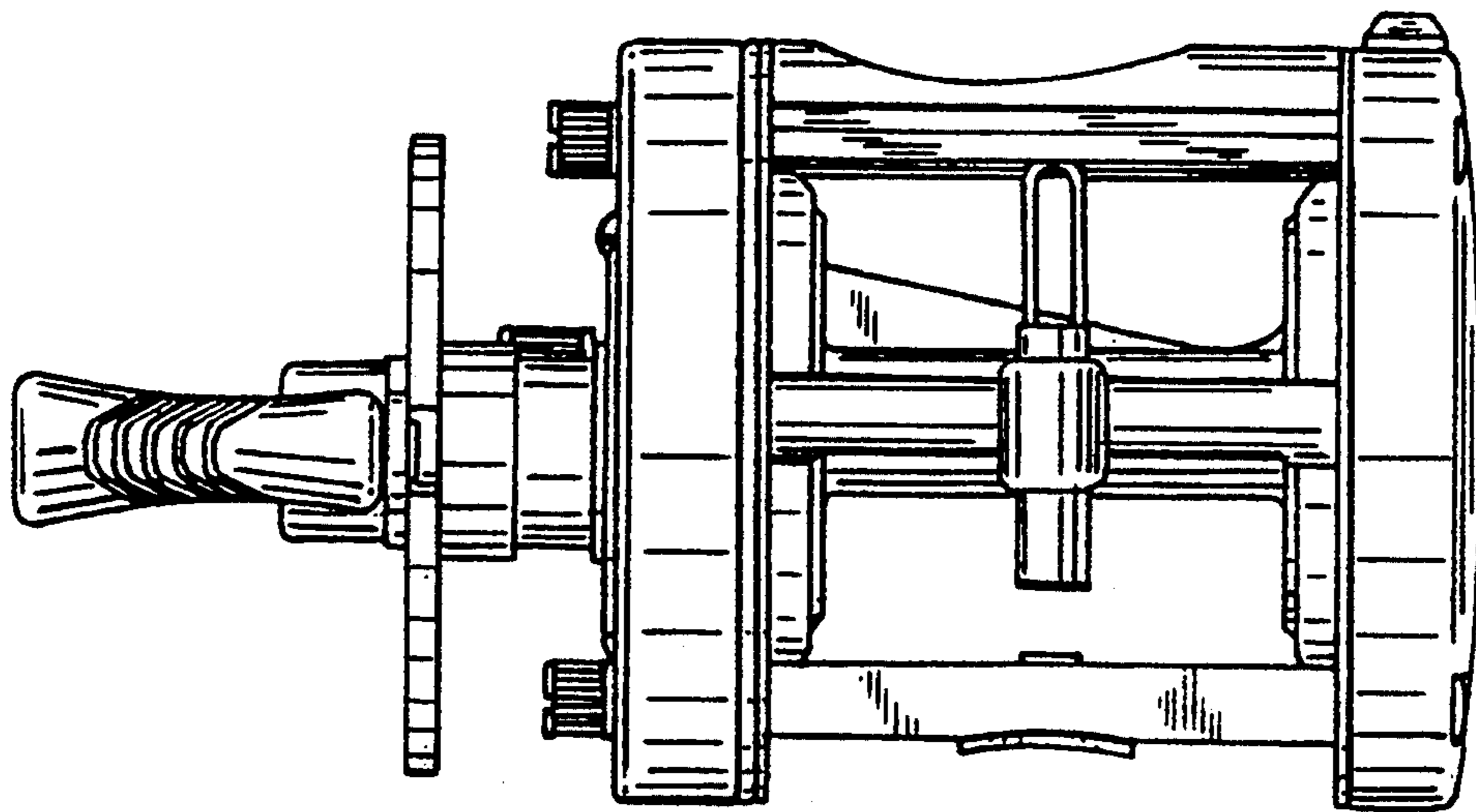


FIG. 3

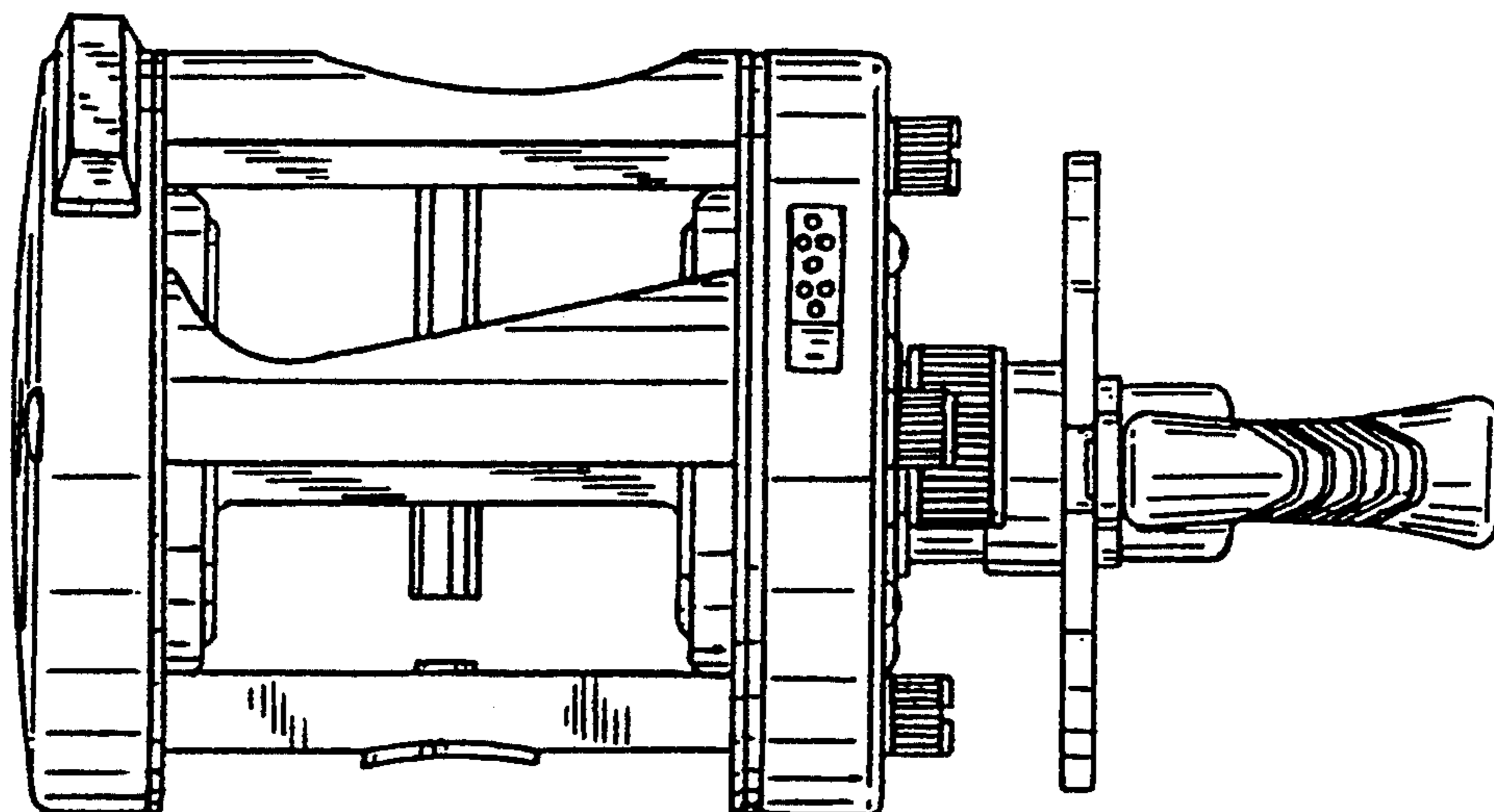


FIG. 4

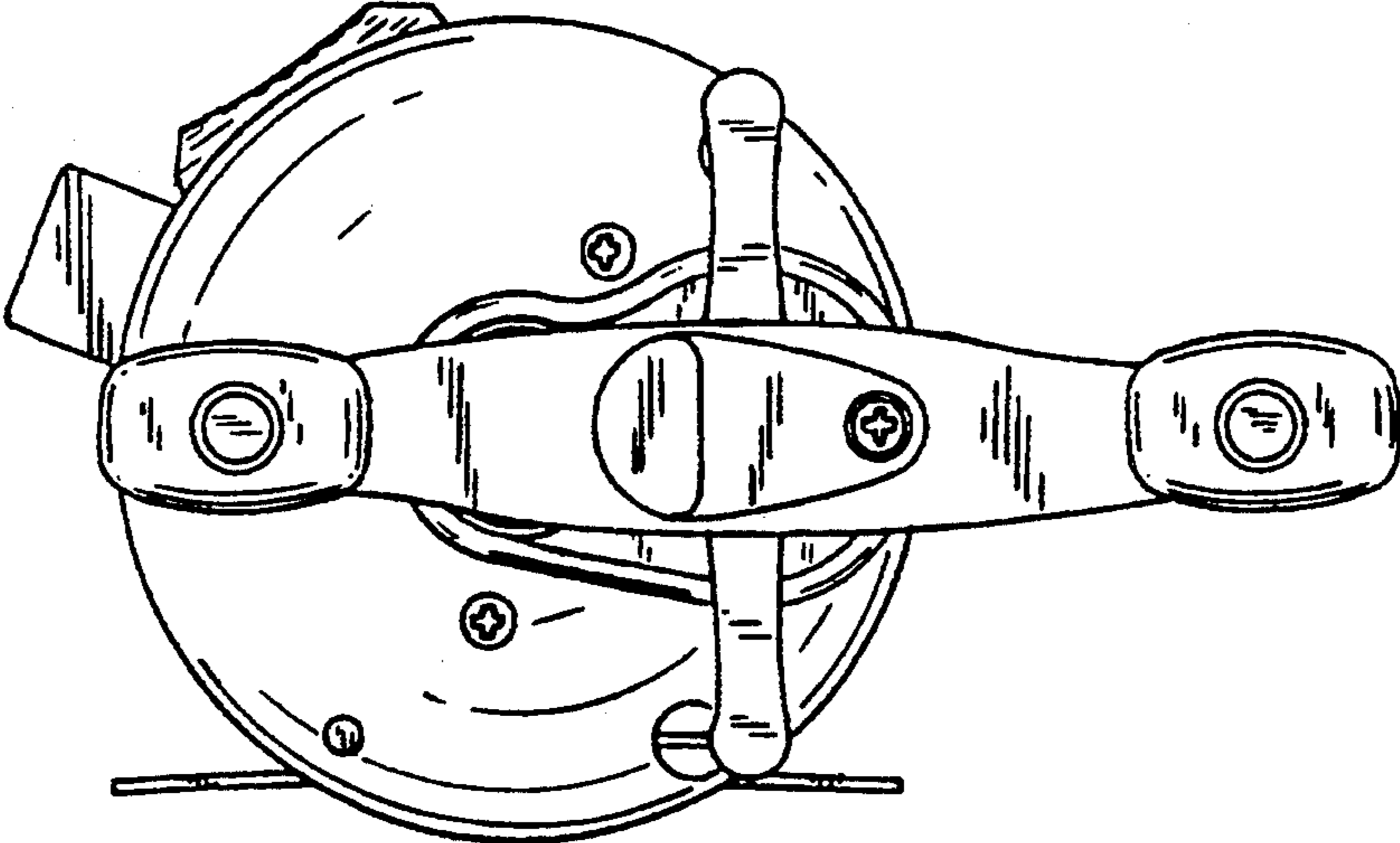


FIG. 5

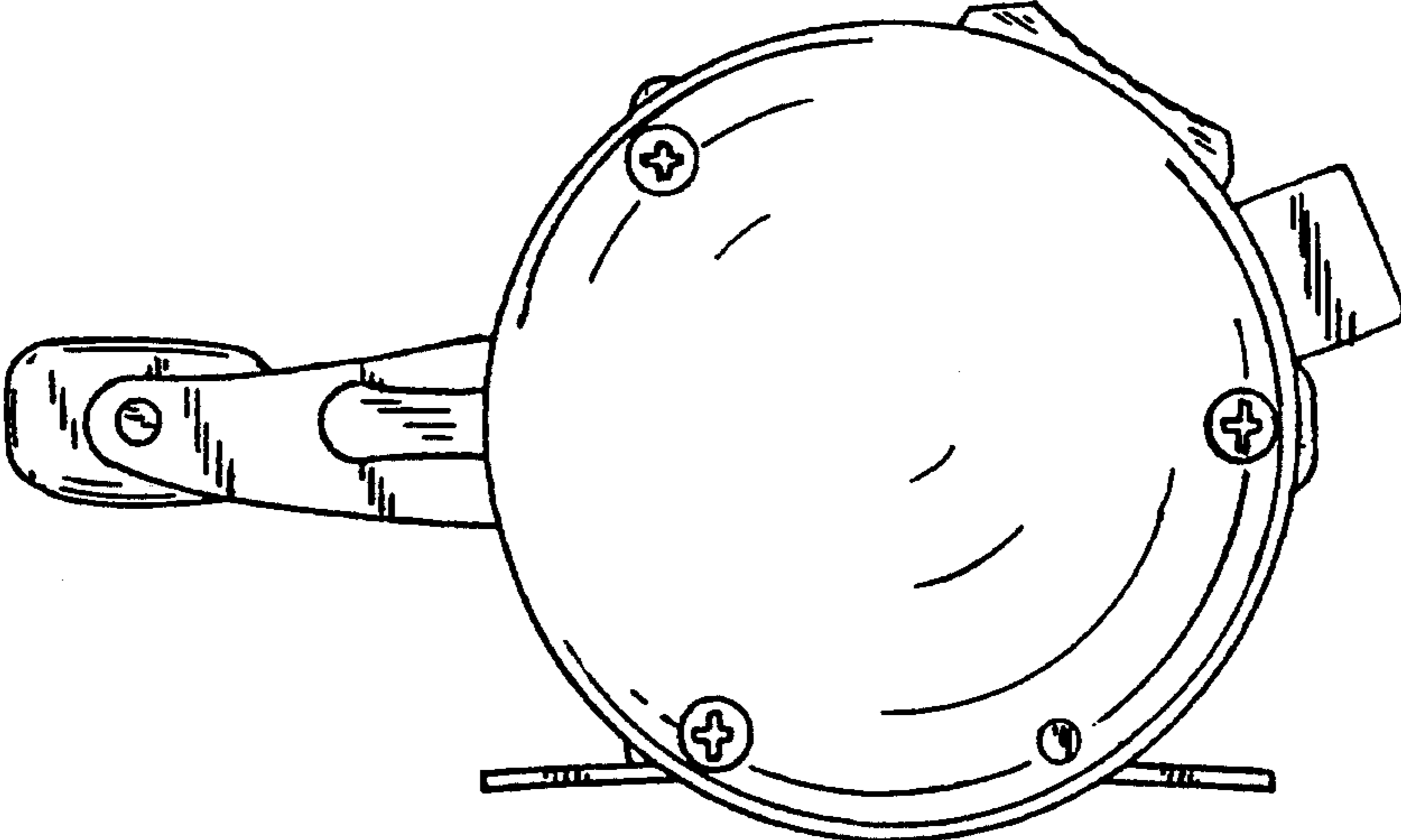


FIG. 6

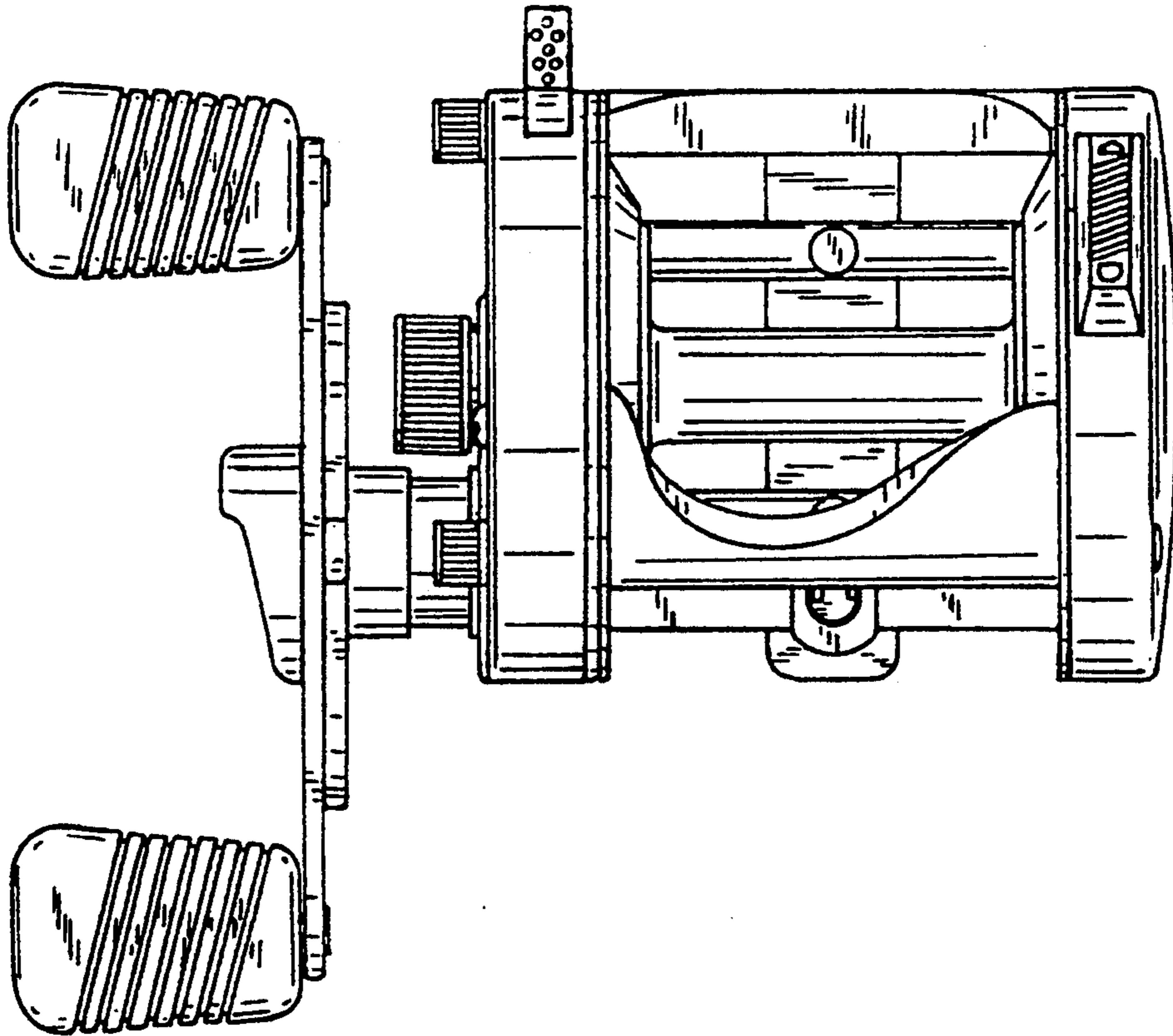


FIG. 7

