



US00D352979S

United States Patent [19]

[11] Patent Number: **Des. 352,979**

Baum

[45] Date of Patent: **** Nov. 29, 1994**

[54] **NOVELTY NOSE MASK**

[76] Inventor: **Anthony G. Baum, 3632 Edgebrook Dr., Cincinnati, Ohio 45248-3116**

[**] Term: **14 Years**

[21] Appl. No.: **924,247**

[22] Filed: **Aug. 3, 1992**

[52] U.S. Cl. **D21/190**

[58] Field of Search **D2/741, 865, 869, 874; 446/26, 27; 2/171; 273/DIG. 17; D21/173, 189, 190**

2,679,711 6/1954 Learnard 446/27
 3,074,205 1/1963 Carter 446/27
 3,077,051 2/1963 Quinones, Jr. 446/27

Primary Examiner—Wallace R. Burke
Assistant Examiner—Lavone D. Tabor

[57] CLAIM

The ornamental design for a novelty nose mask, as shown and described.

DESCRIPTION

FIG. 1 is a left side elevational view of a novelty nose mask showing my new design;
 FIG. 2 is a right side elevational view thereof;
 FIG. 3 is a front elevational view thereof;
 FIG. 4 is a rear elevational view thereof;
 FIG. 5 is a top plan view thereof; and,
 FIG. 6 is a bottom plan view thereof.

[56] **References Cited**
U.S. PATENT DOCUMENTS
 D. 52,352 8/1918 Sears D21/190 X
 D. 110,058 6/1938 Mundorff D2/874

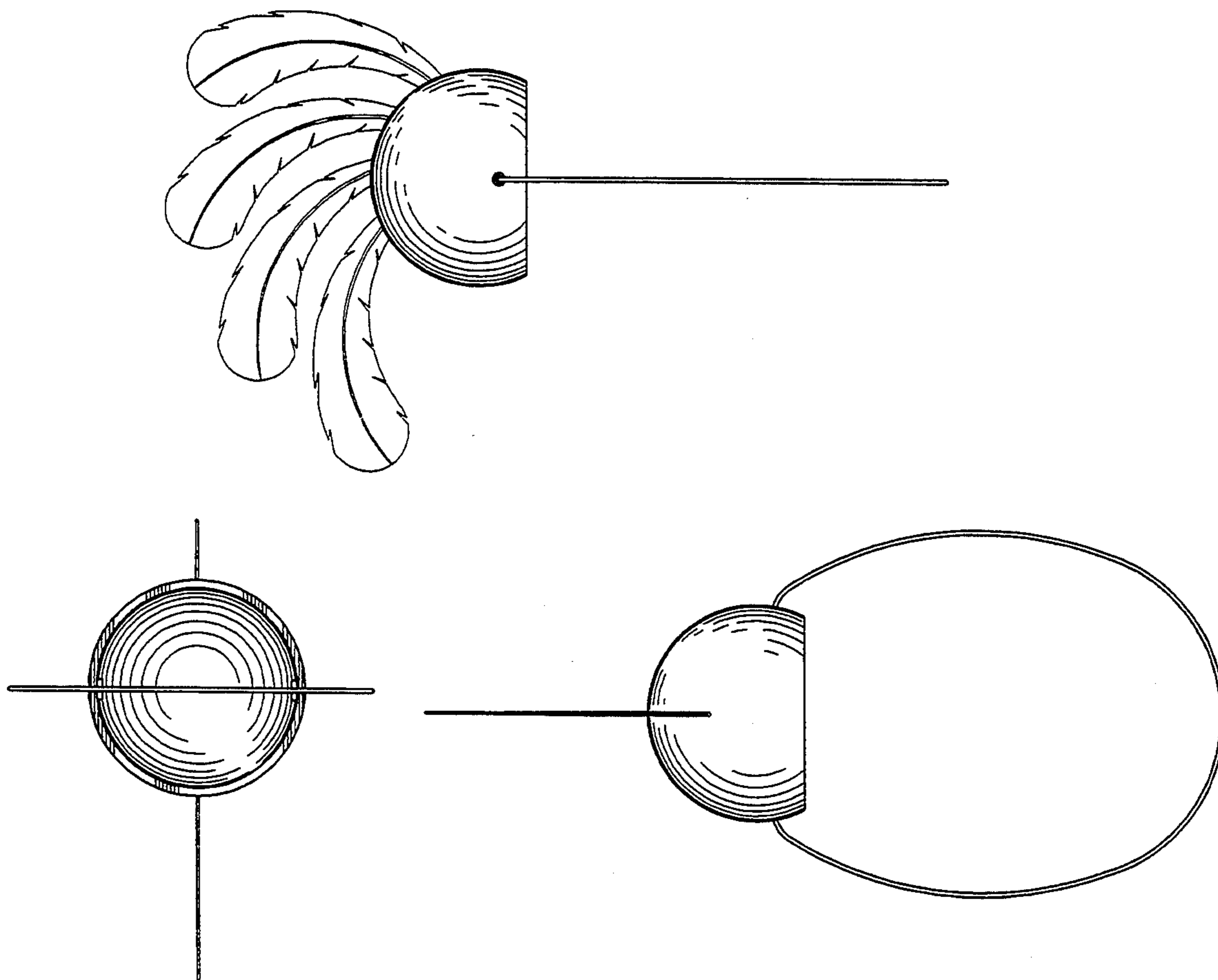


FIG. 1

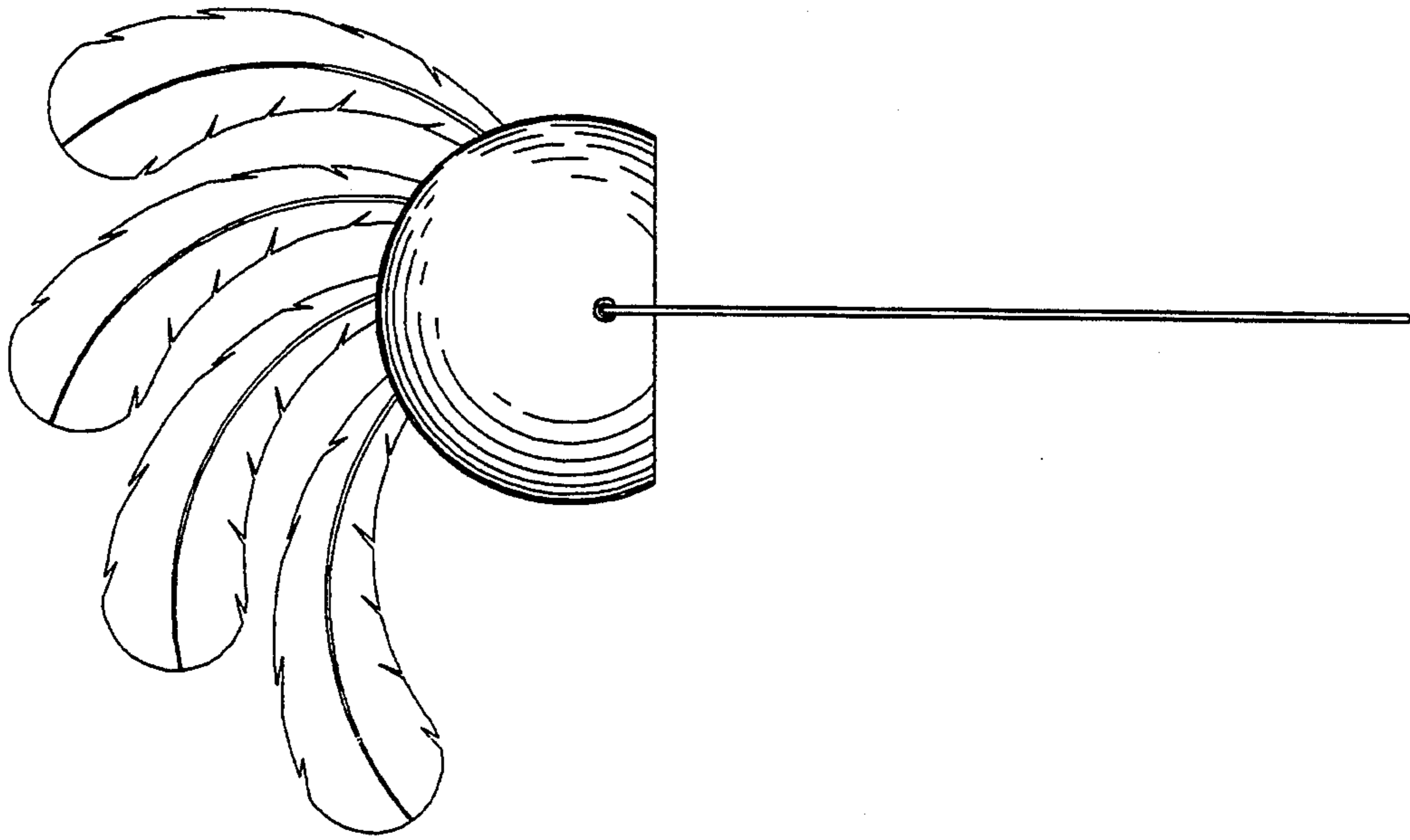


FIG. 2

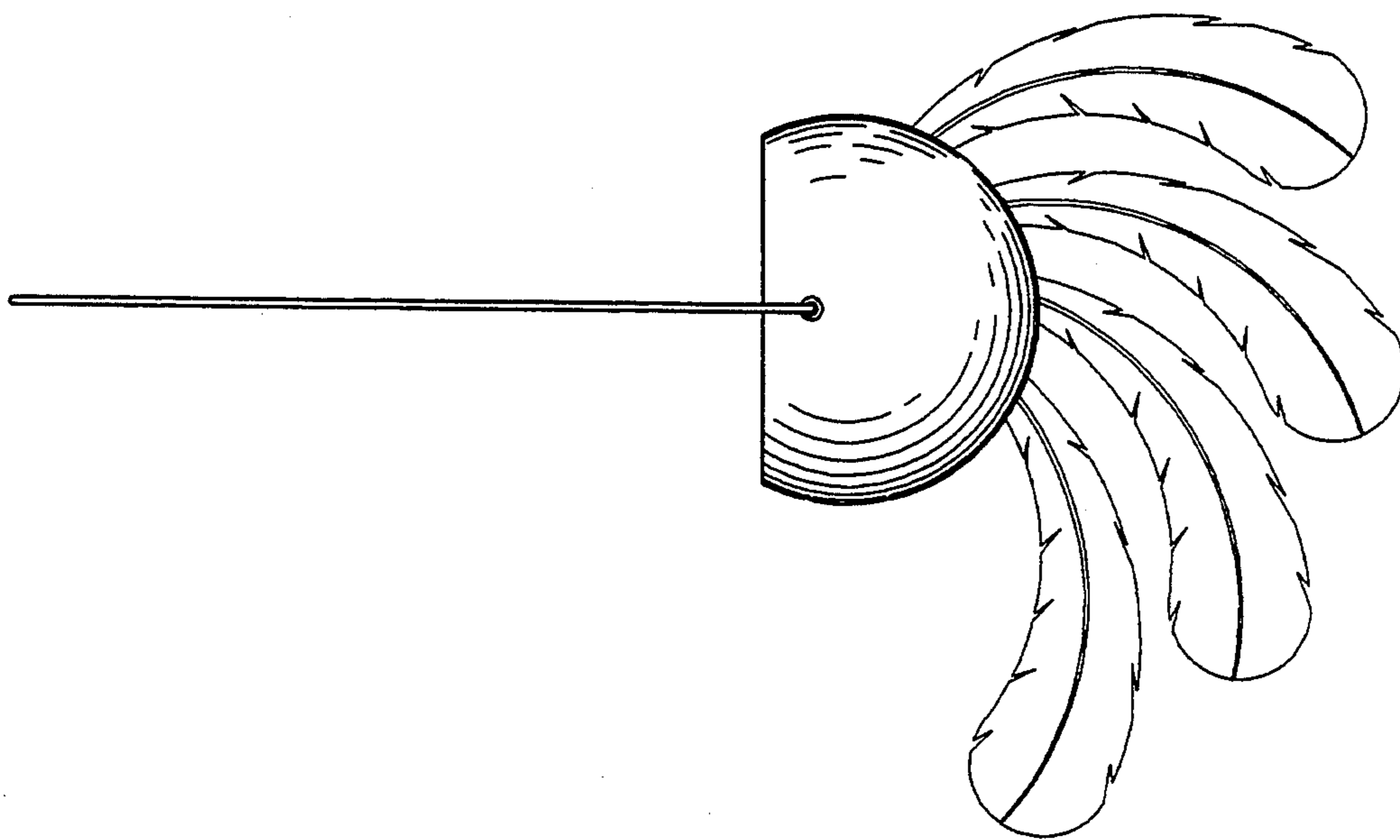


FIG. 3

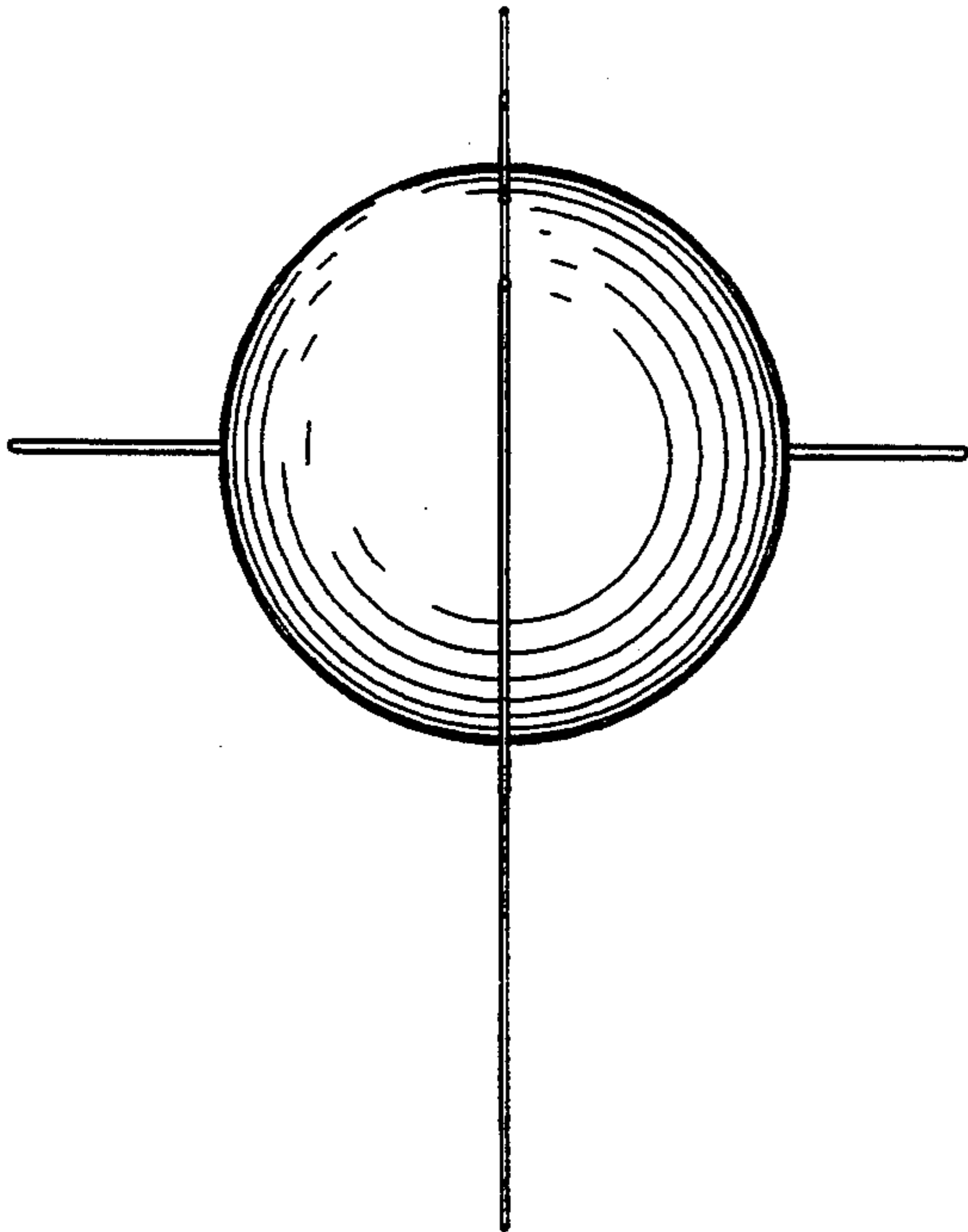


FIG. 4

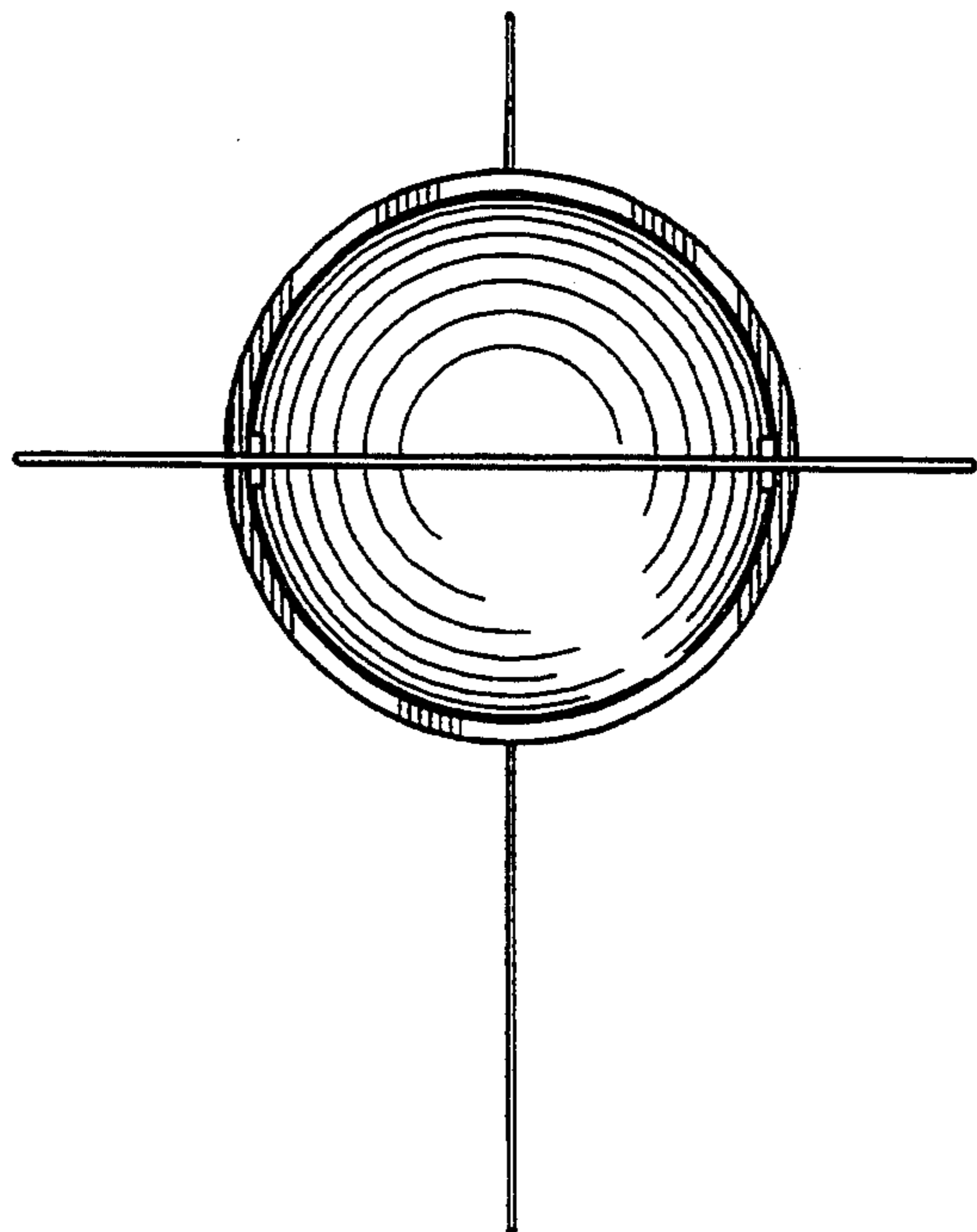


FIG. 5

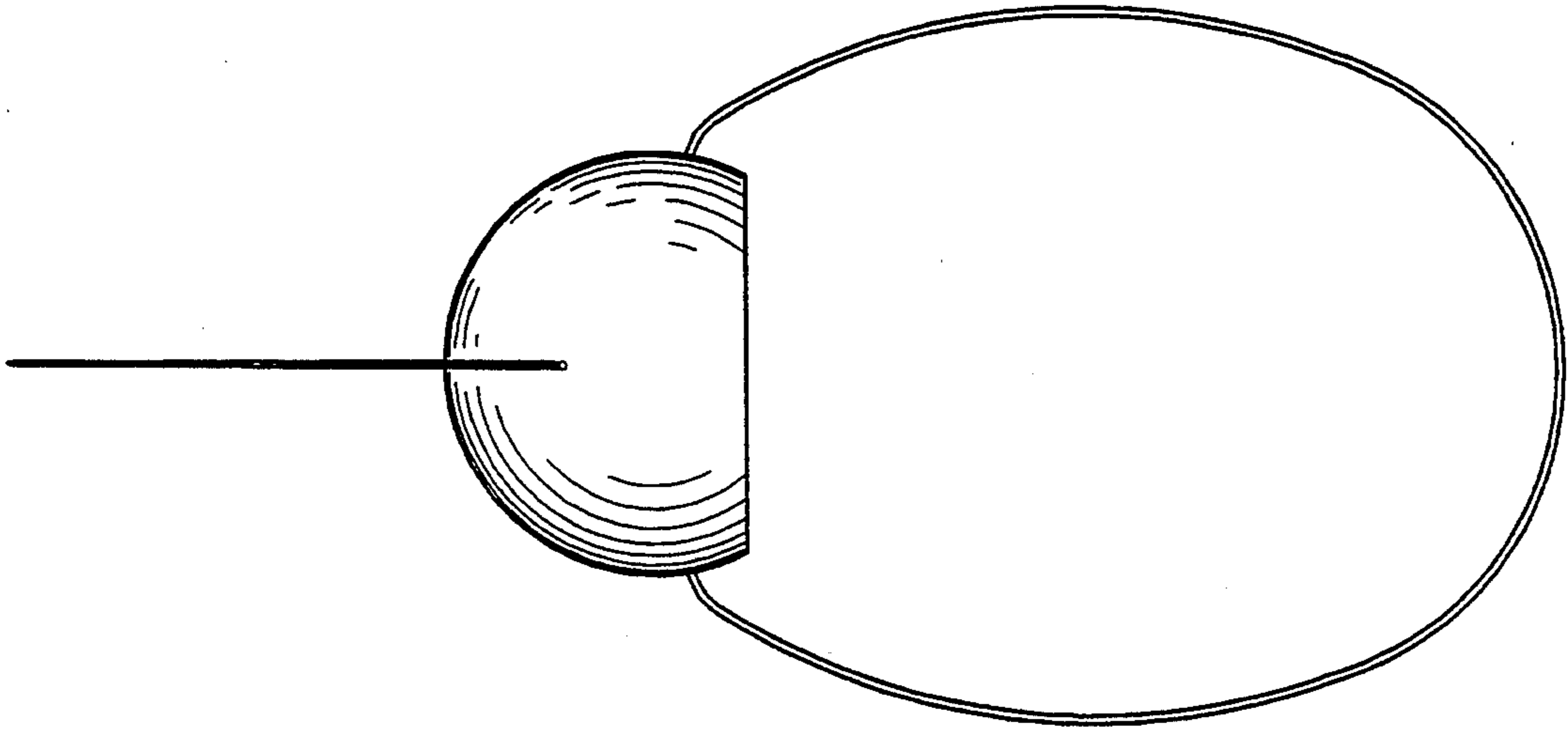


FIG. 6

