



US00D352975S

United States Patent [19]

Wakasa

[11] Patent Number: **Des. 352,975**

[45] Date of Patent: **** Nov. 29, 1994**

[54] **TOY MACHINE GUN**
 [75] Inventor: **Kunio Wakasa, Tokyo, Japan**
 [73] Assignee: **Wakasa (HK) Ltd., Hong Kong**
 [**] Term: **14 Years**
 [21] Appl. No.: **12,724**
 [22] Filed: **Sep. 9, 1993**
 [52] U.S. Cl. **D21/146**
 [58] Field of Search 446/180, 219, 267, 430,
 446/473, 475; 124/25, 56, 71, 81, 83; 273/349,
 310-311, 313, 316; 42/54; 362/110-114;
 222/78-79; D21/145-147, 236, 237, 13;
 D22/101, 103-104, 107-108; D23/222,
 224-225

D. 286,308 10/1986 Mayer D21/146
 D. 316,123 4/1991 Shiung-Fei D21/146
 3,369,535 2/1968 Bonanno 42/54
 4,895,376 1/1990 Shiung-Fei 273/316

Primary Examiner—Bernard Ansher
Assistant Examiner—R. Barkai
Attorney, Agent, or Firm—Bacon & Thomas

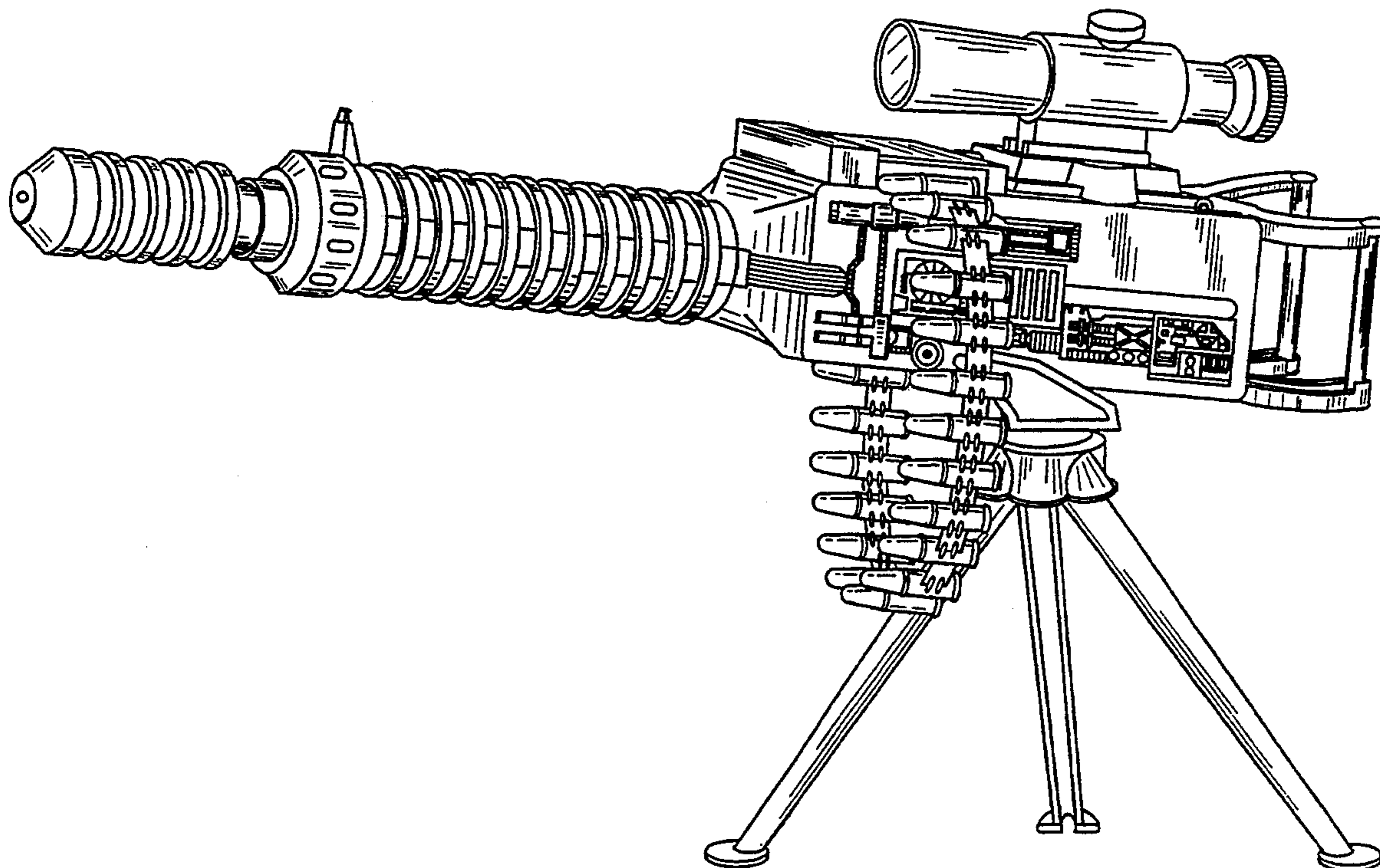
[57] CLAIM

The ornamental design for a toy machine gun, as shown and described.

DESCRIPTION

FIG. 1 is a perspective view of a toy machine gun showing my new design;
 FIG. 2 is a right side elevational view thereof;
 FIG. 3 is a left side elevational view thereof;
 FIG. 4 is a top plan view thereof;
 FIG. 5 is a bottom plan view thereof;
 FIG. 6 is a front elevational view thereof; and,
 FIG. 7 is a rear elevational view thereof.

[56] **References Cited**
U.S. PATENT DOCUMENTS
 D. 56,063 8/1920 Griffith D21/146
 D. 134,773 1/1943 Flynt D21/146



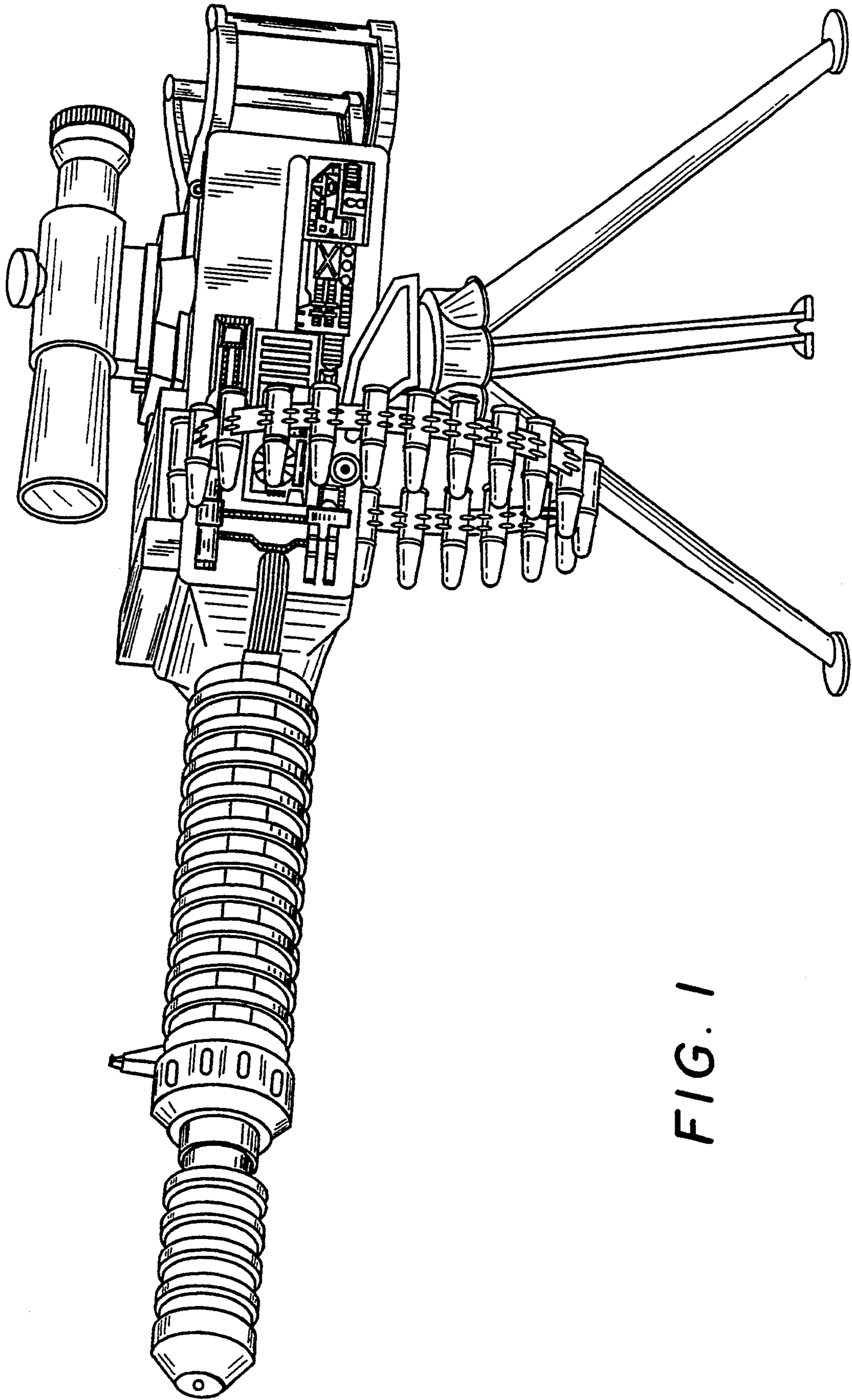


FIG. 1

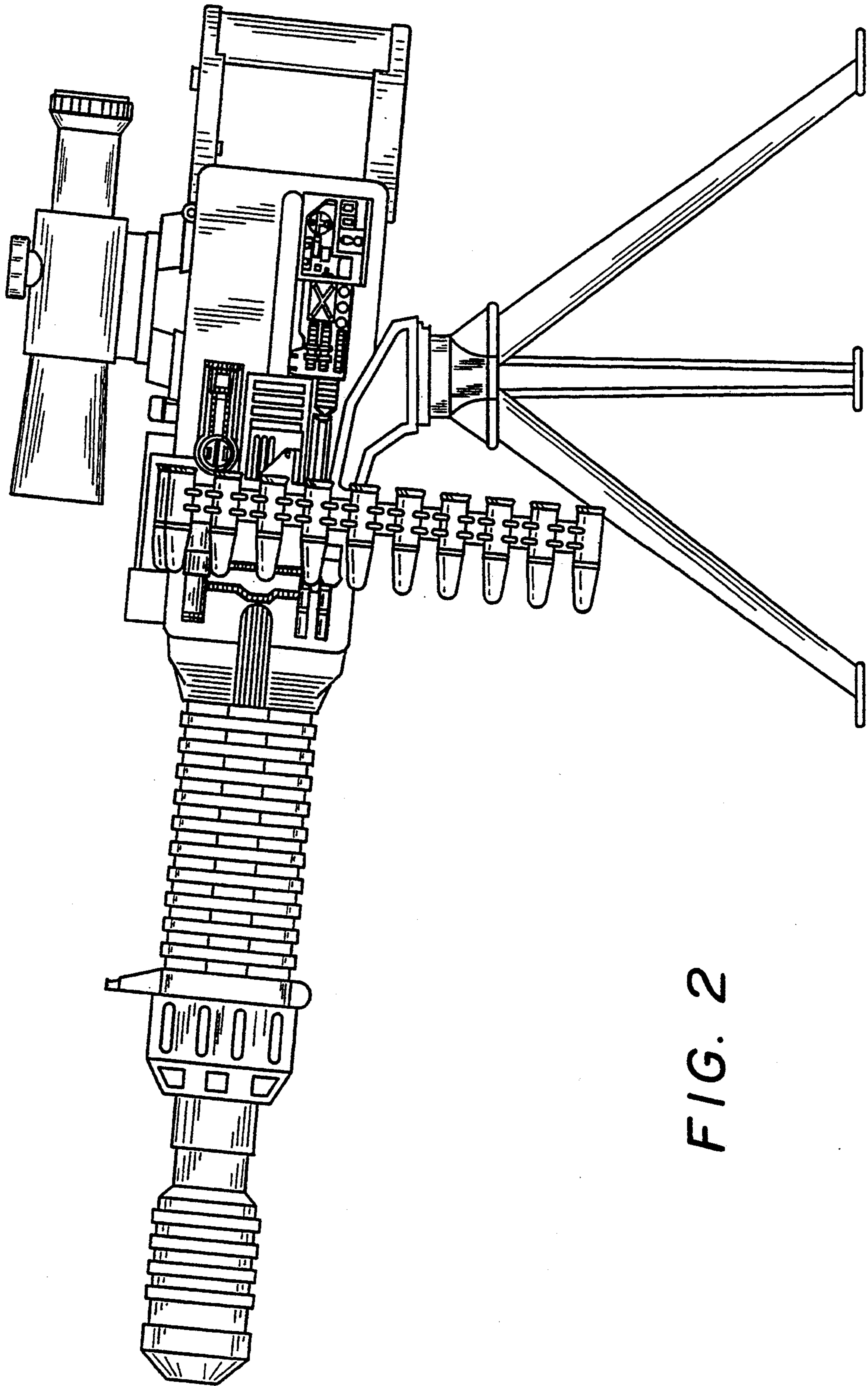


FIG. 2

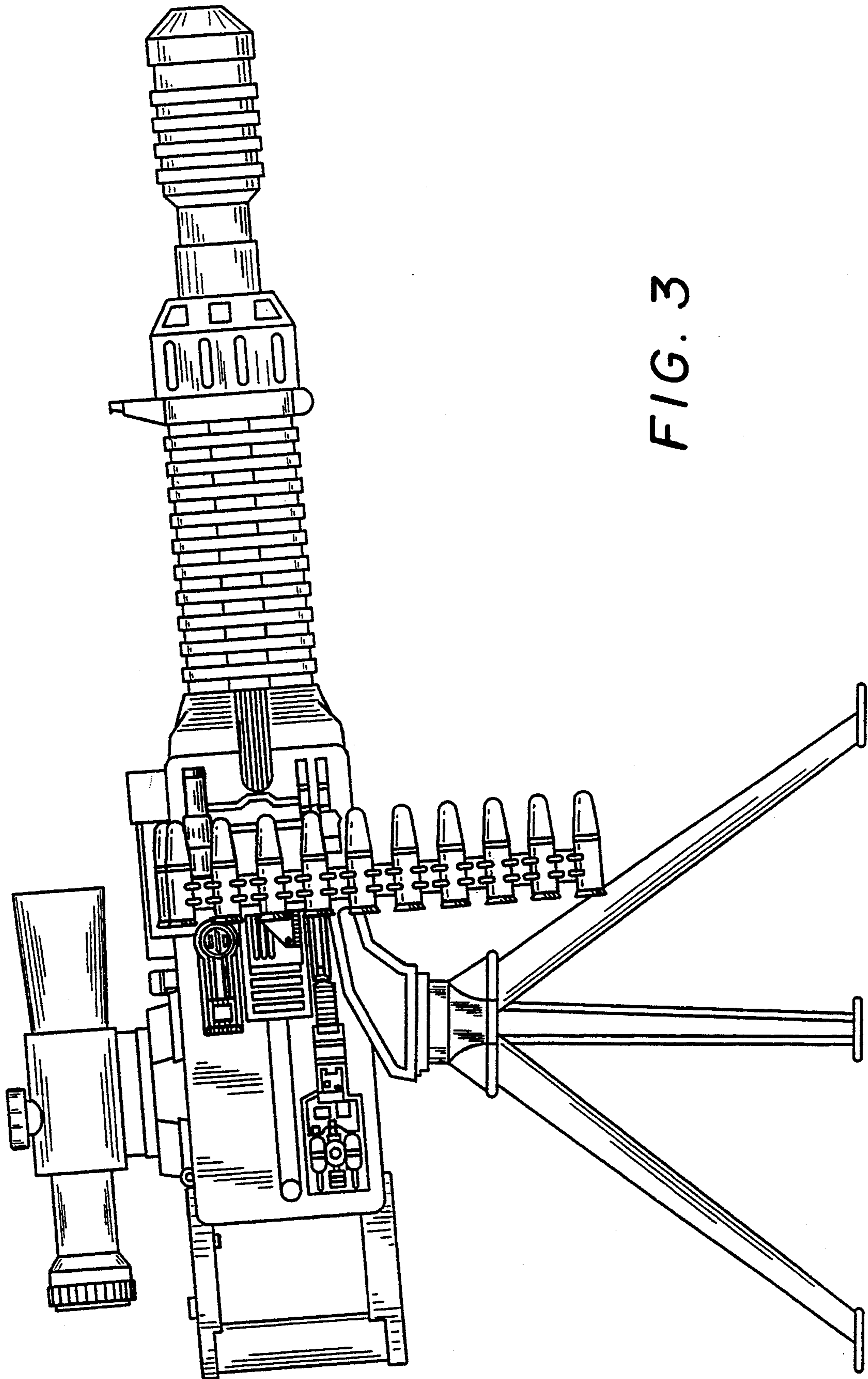


FIG. 3

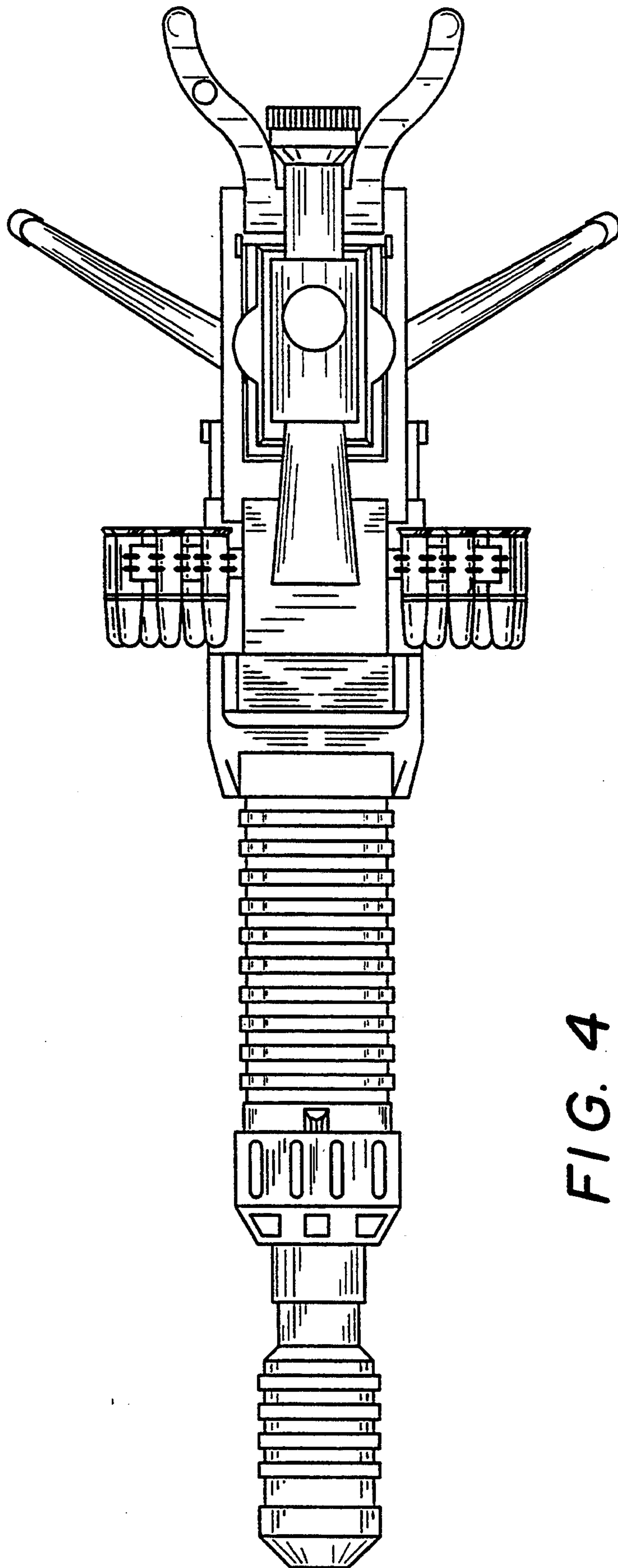


FIG. 4

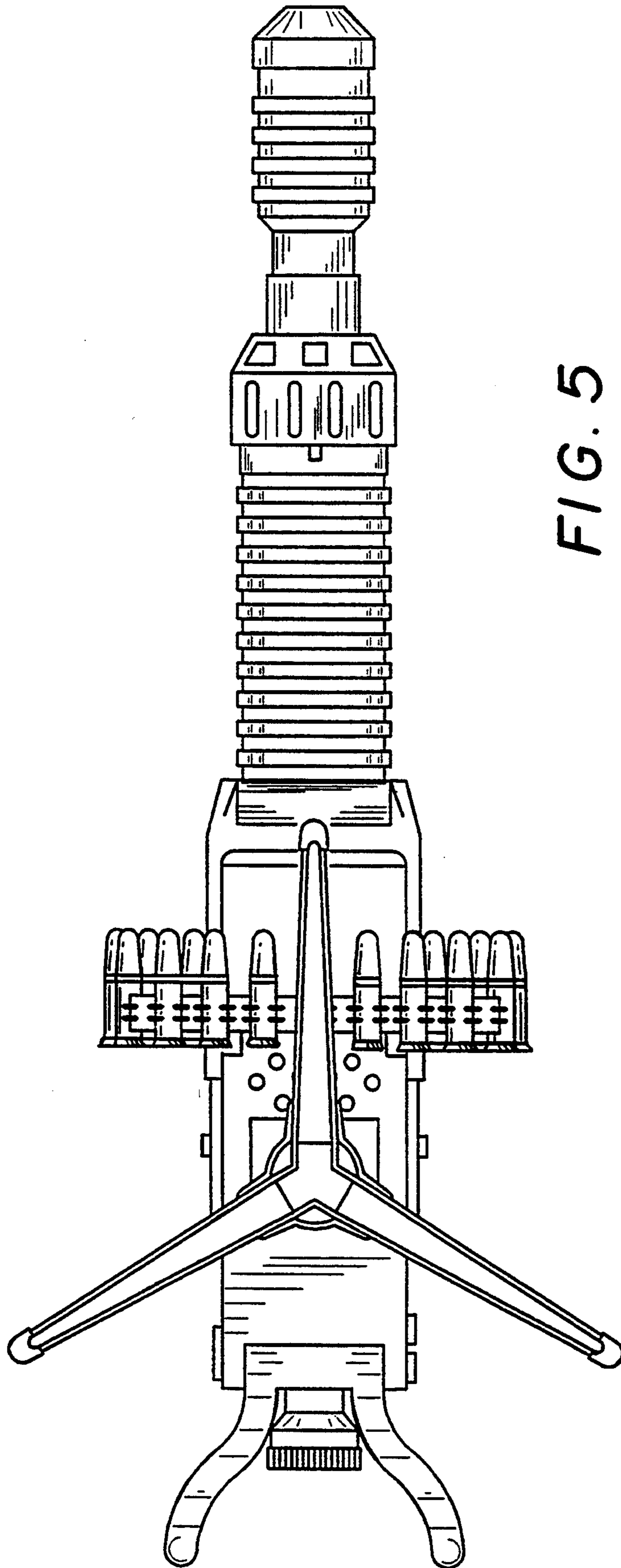


FIG. 5

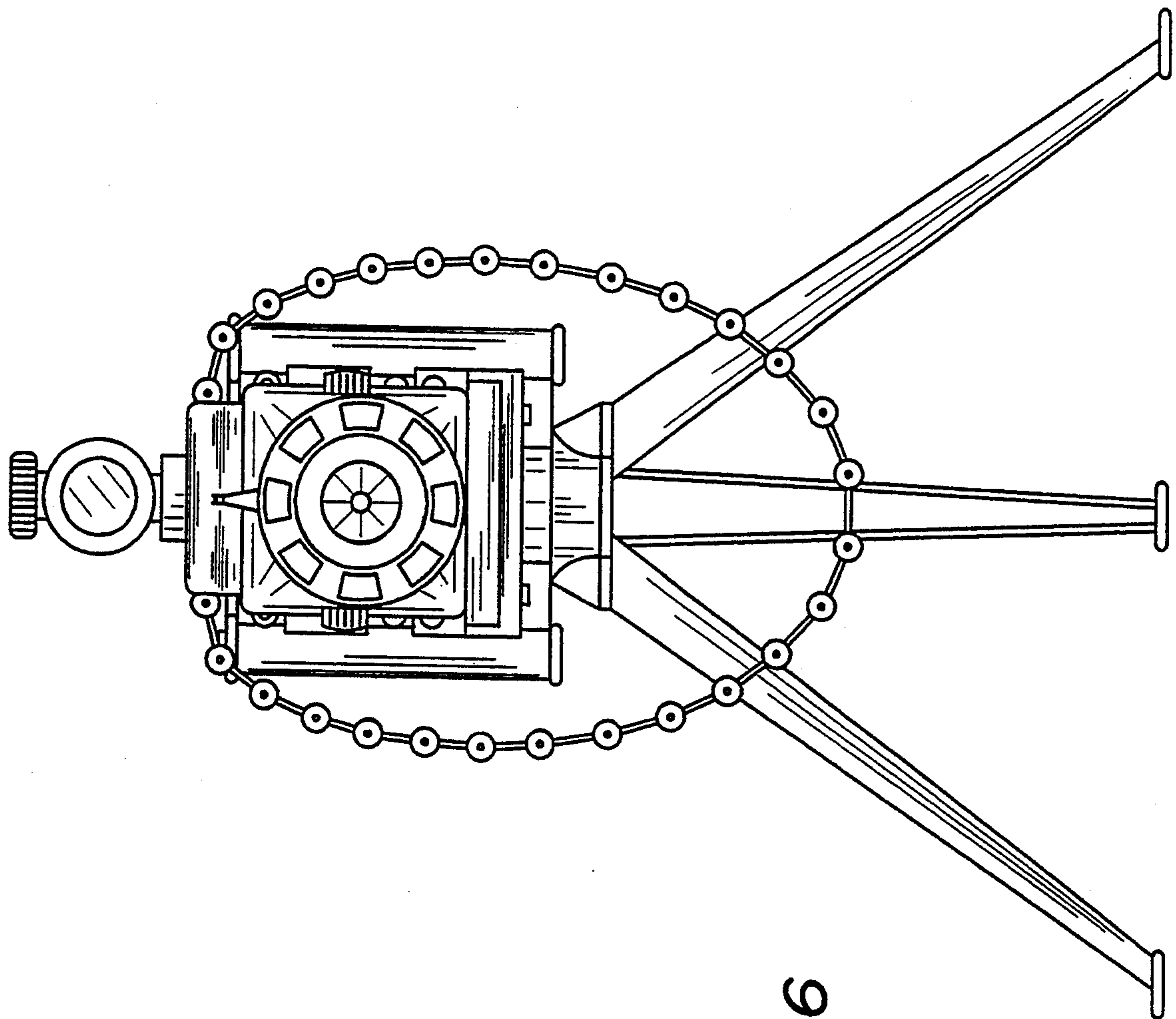


FIG. 6

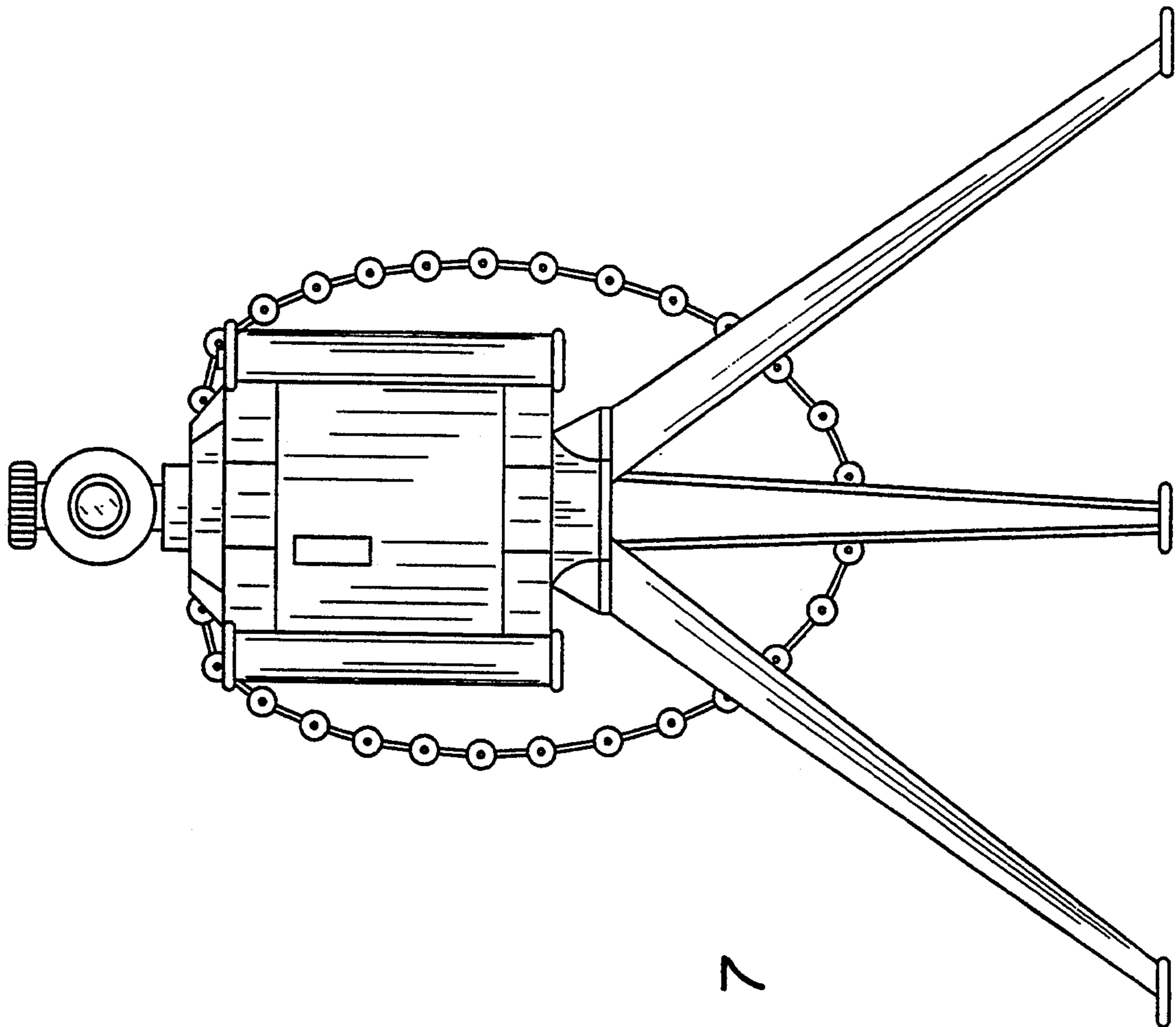


FIG. 7