



US00D352970S

United States Patent [19] Ho

[11] Patent Number: **Des. 352,970**

[45] Date of Patent: **** Nov. 29, 1994**

- [54] **JOYSTICK**
- [75] Inventor: **Patrick T. Ho, Kwai Chung, Hong Kong**
- [73] Assignee: **STD Electronic International Ltd., Hong Kong, Hong Kong**
- [**] Term: **14 Years**
- [21] Appl. No.: **13,046**
- [22] Filed: **Sep. 16, 1993**
- [52] U.S. Cl. **D21/48**
- [58] Field of Search **273/148 B, 433-438, 273/DIG. 28; D21/1, 13, 48; D14/126, 125, 114, 218; D13/158, 168, 171**

5,059,958 10/1991 Jacobs et al. 273/148 B X

OTHER PUBLICATIONS

Hongkong Enterprise, Oct. 1990, p. 813 Item #QS-127. Playthings, 1988, p 49, as circled.

Primary Examiner—Prabhakar G. Deshmukh
Attorney, Agent, or Firm—Samuels, Gauthier & Stevens

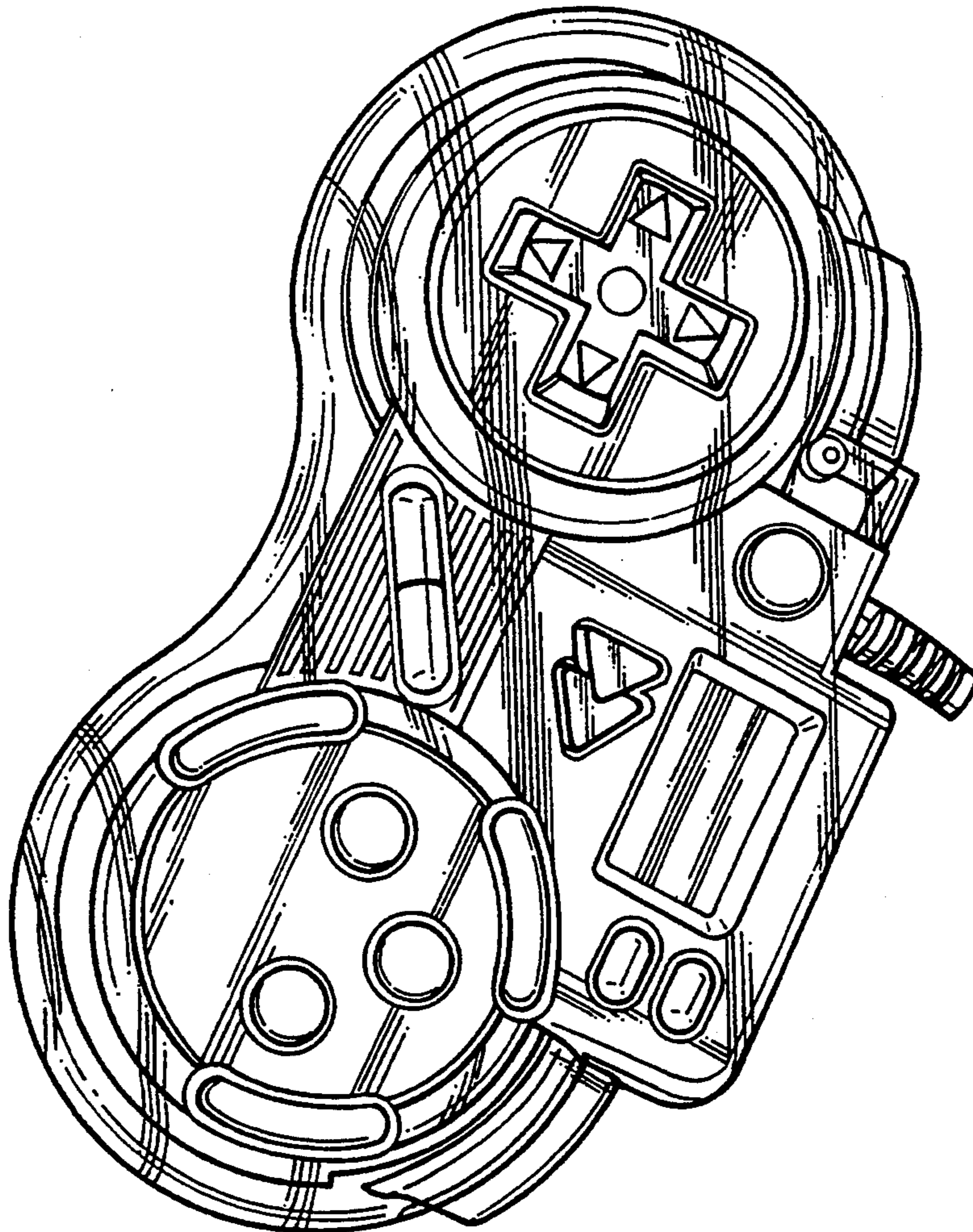
[57] CLAIM

The ornamental design for a joystick, as shown and described.

DESCRIPTION

FIG. 1 is a front elevational view of a joystick showing my new design;
 FIG. 2 is the rear elevational view thereof;
 FIG. 3 is a left side view thereof;
 FIG. 4 is the right side view thereof;
 FIG. 5 is the top plan view thereof; and
 FIG. 6 is the bottom plan view thereof; and,
 FIG. 7 is the perspective view from front and bottom thereof.

- [56] **References Cited**
- U.S. PATENT DOCUMENTS**
- D. 325,225 4/1992 Adhida D21/48
- D. 343,649 1/1994 Ho D21/48
- D. 345,164 3/1994 Grae D21/48 X
- 4,969,647 11/1990 Mical et al. 273/DIG. 28 X



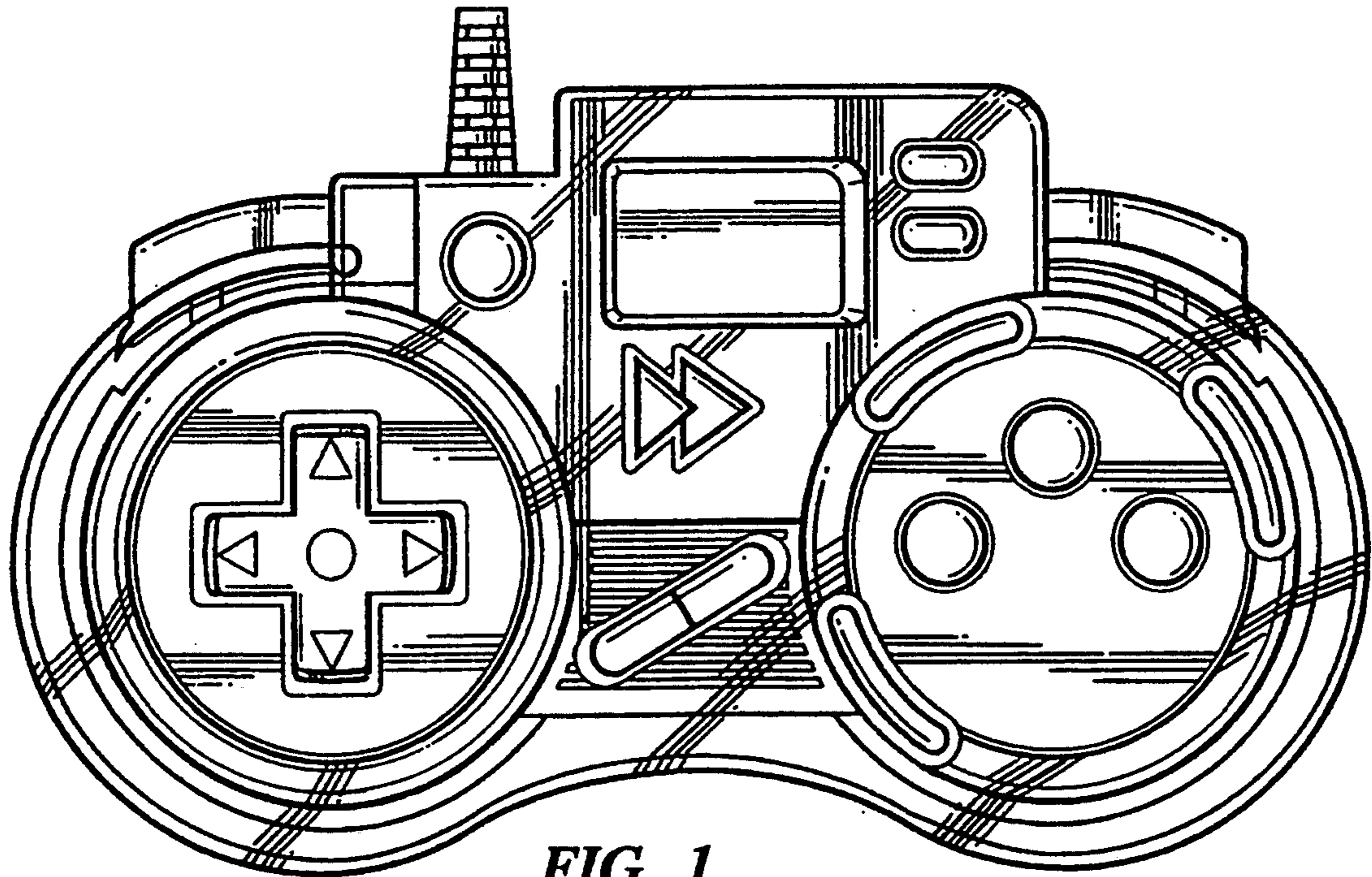


FIG. 1

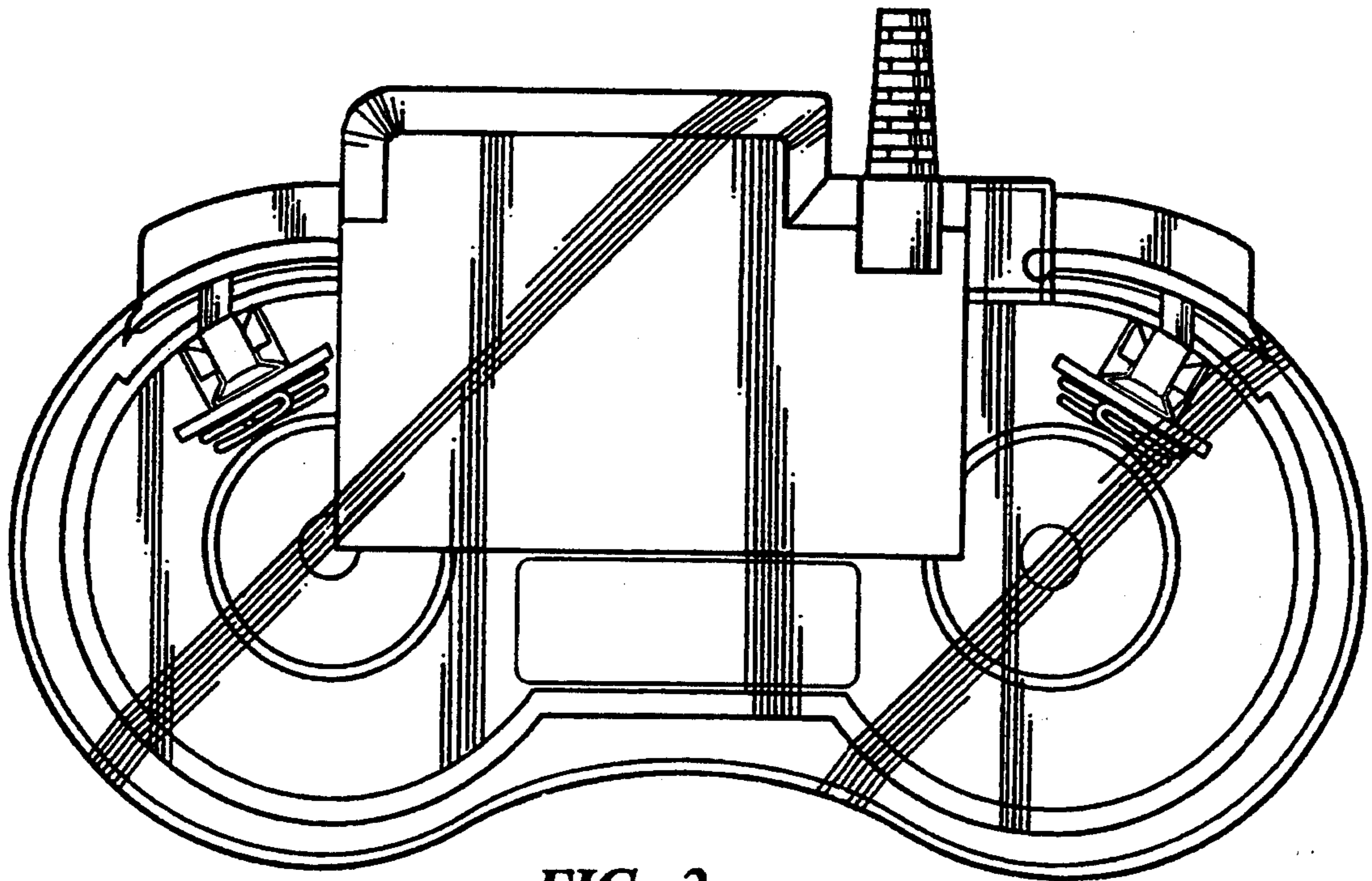


FIG. 2

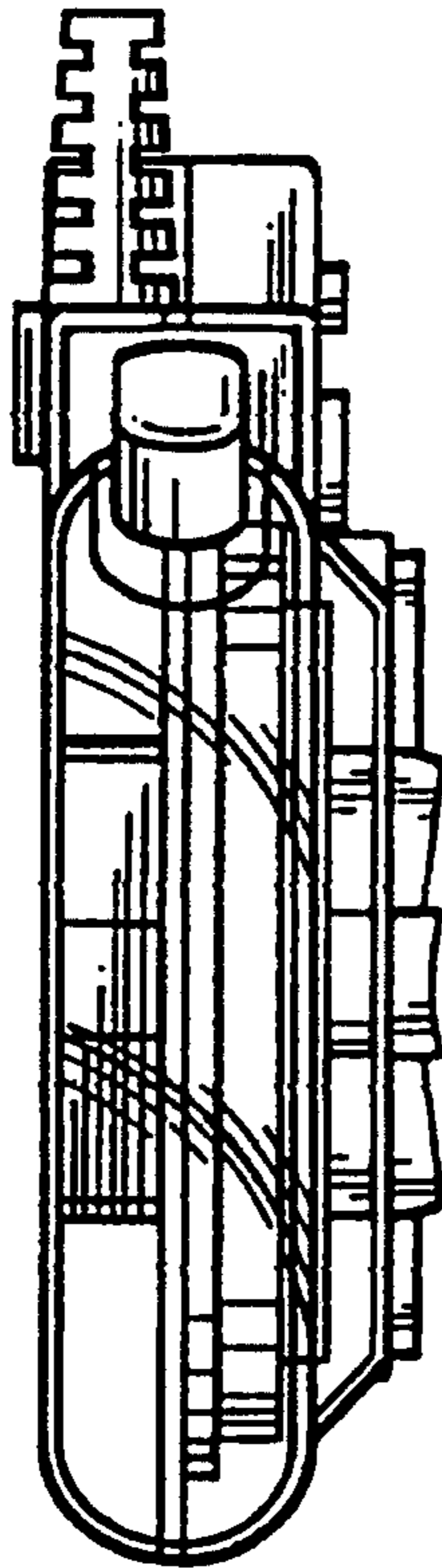


FIG. 3

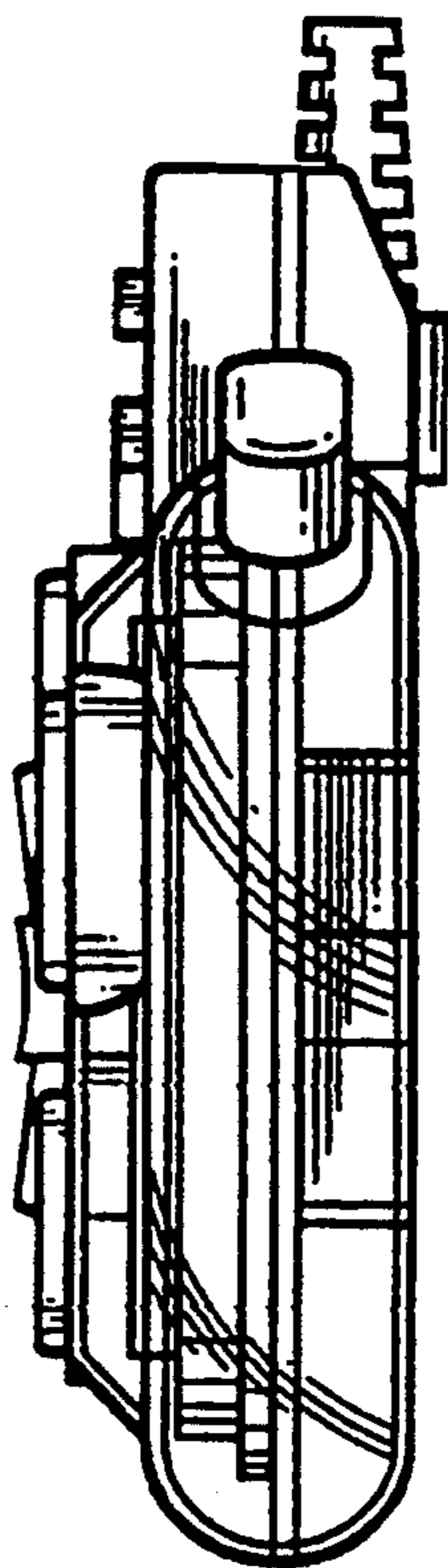


FIG. 4

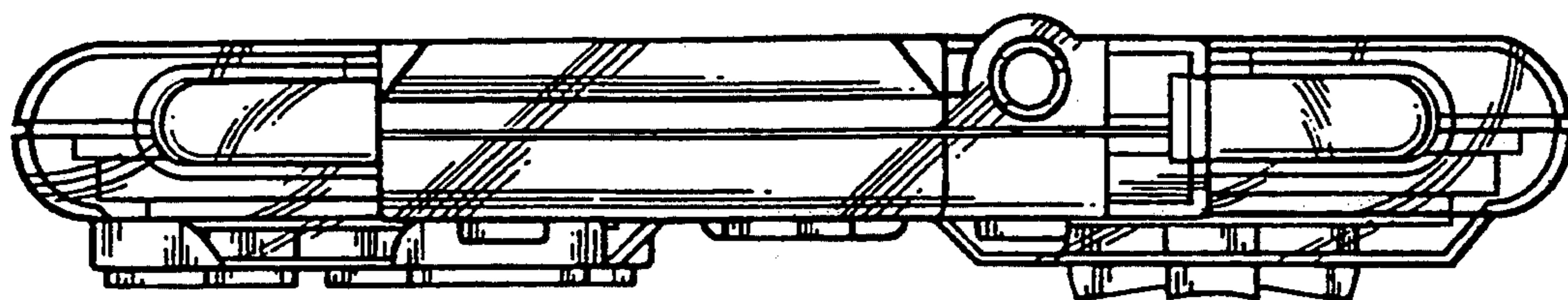


FIG. 5

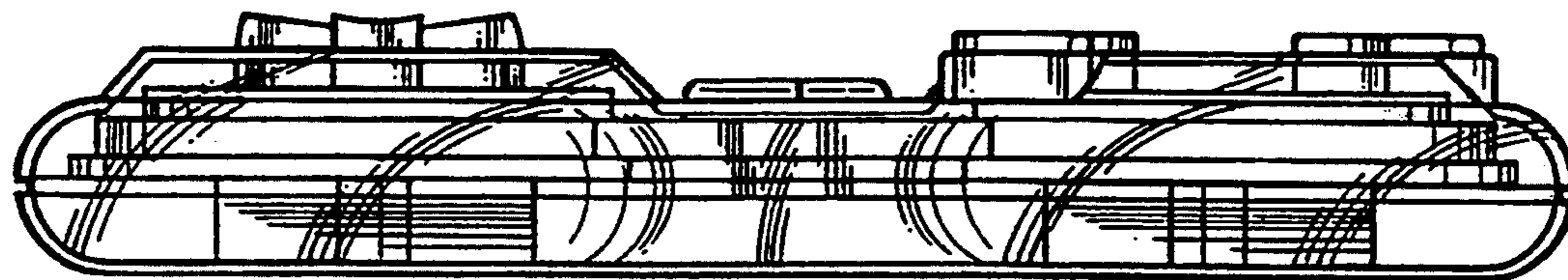


FIG. 6

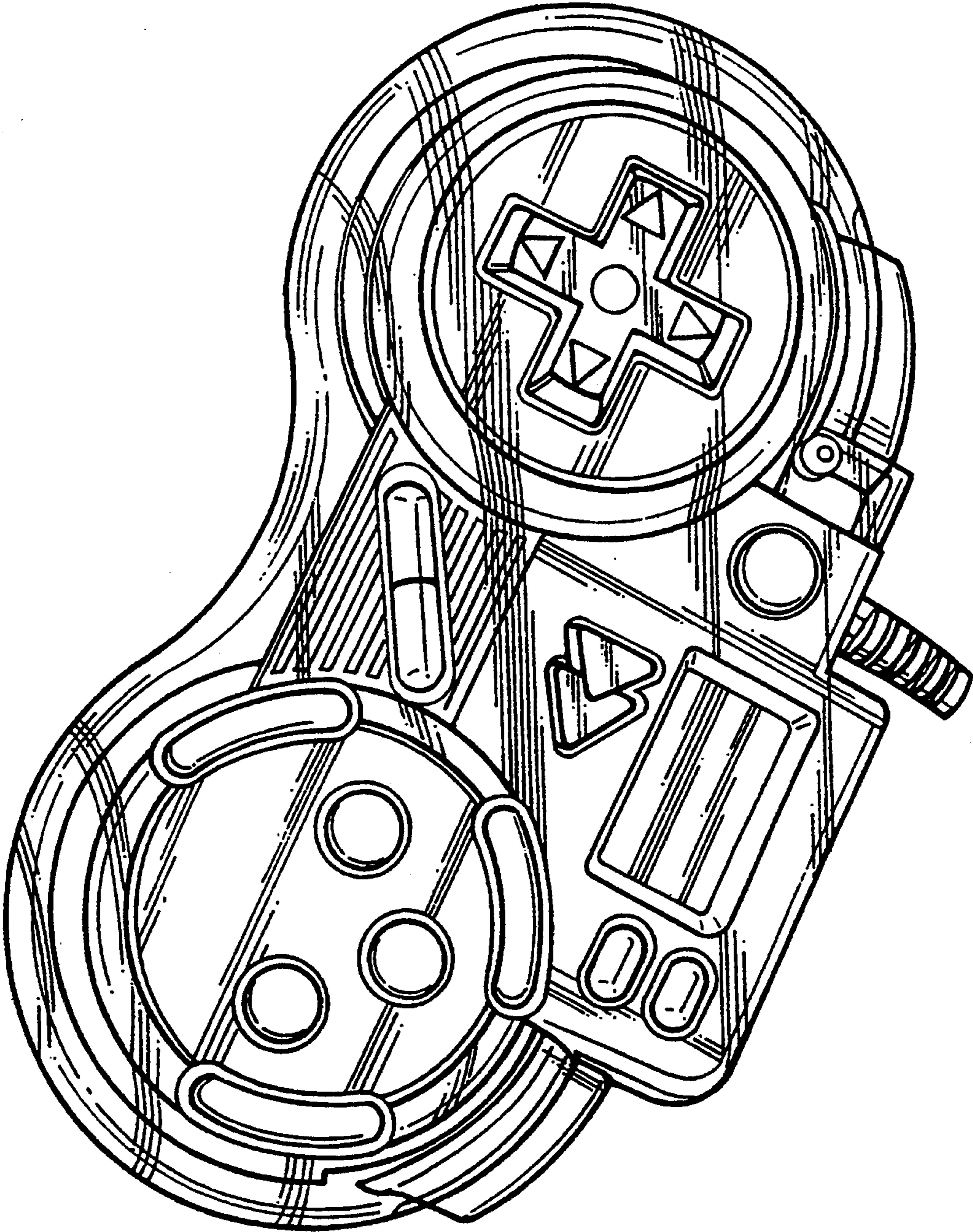


FIG. 7