



US00D352965S

United States Patent [19]

Stravitz

[11] Patent Number: **Des. 352,965**

[45] Date of Patent: **** Nov. 29, 1994**

[54] **DESK TOP FILE STORAGE RACK**

[76] Inventor: **David M. Stravitz**, 16 Park Ave.,
New York, N.Y. 10016

[**] Term: **14 Years**

[21] Appl. No.: **5,773**

[22] Filed: **Mar. 11, 1993**

D. 319,741	9/1991	Sylvester .	
D. 322,724	12/1991	Stravitz	D6/407
D. 325,133	4/1992	Stravitz	D19/90 X
D. 341,500	11/1993	Klein et al.	D6/407 X
D. 342,397	12/1993	MacDonald	D6/462
3,197,926	8/1965	Shumaker .	
3,977,527	8/1976	Rose et al.	312/184 X

Related U.S. Application Data

[63] Continuation-in-part of Ser. No. 882,092, May 7, 1992.

[52] U.S. Cl. **D19/90; D6/462;**
D19/75

[58] Field of Search **D6/407, 429, 449, 473,**
D6/462, 464; 312/183, 184; 211/182, 184, 188,
189, 123, 35, 37; D19/65, 75, 86, 90, 95, 99, 100

[56] References Cited

U.S. PATENT DOCUMENTS

D. 181,901	1/1958	Clarke .	
D. 228,715	10/1973	McRae .	
D. 235,833	7/1975	McRae .	
D. 238,736	2/1976	Jaffe	D6/407
D. 272,400	1/1984	Persch .	
D. 273,546	4/1984	Ogg, Jr. et al. .	
D. 276,110	10/1984	Savelkouls .	
D. 283,472	4/1986	Wattles	D6/473 X
D. 286,596	11/1956	Leo, Sr. .	
D. 295,930	5/1988	Drake et al. .	
D. 297,988	10/1988	Maurer et al. .	
D. 316,113	4/1991	Hawes, Jr. et al.	D19/90

OTHER PUBLICATIONS

Instruction Sheet for Super Rack for CD's and Super Rack 124 for cassettes; Stravitz.

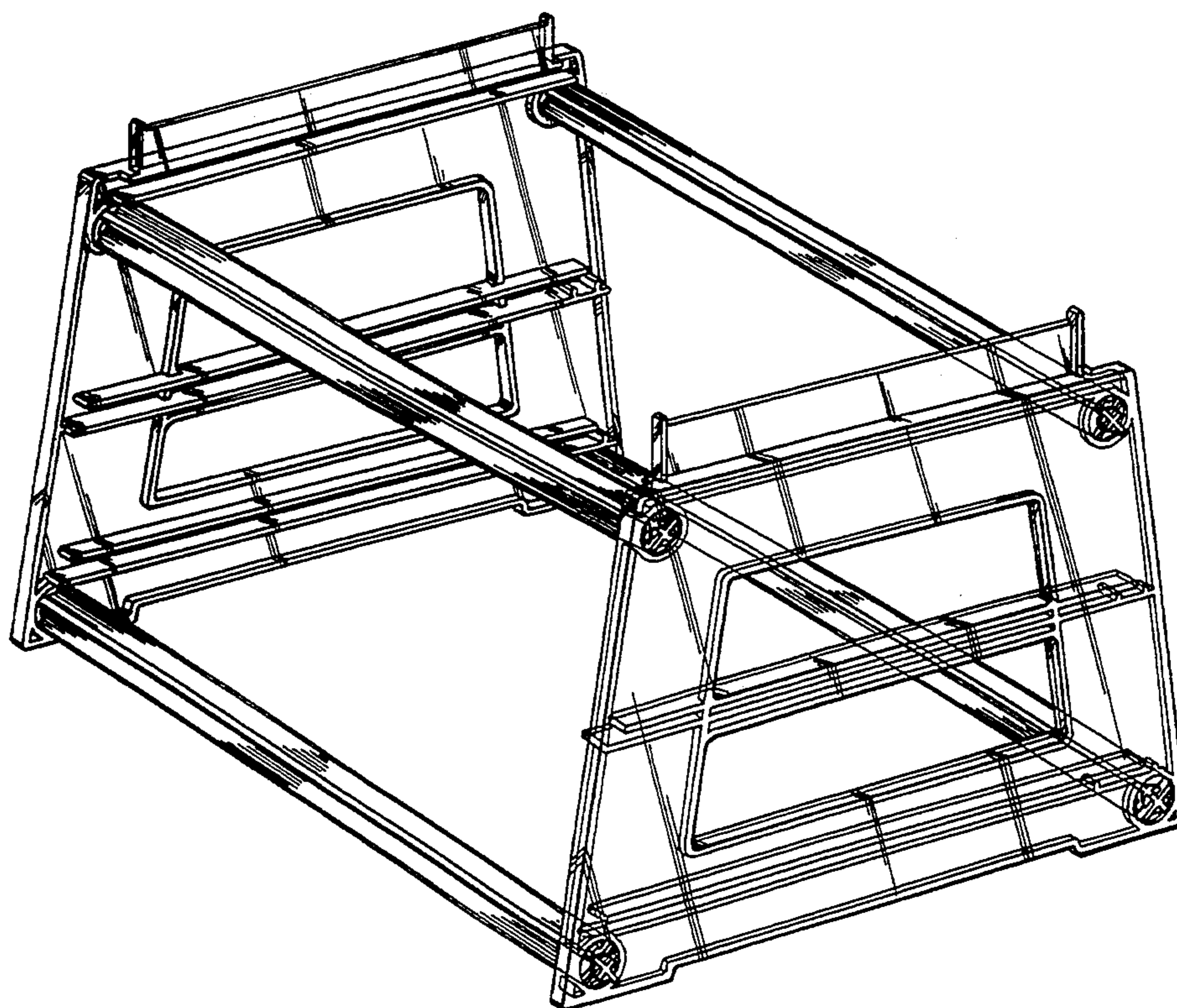
Primary Examiner—Martie Thompson
Attorney, Agent, or Firm—Frishauf, Holtz, Goodman & Woodward

[57] CLAIM

The ornamental design for a desk top file storage rack, as shown and described.

DESCRIPTION

FIG. 1 is a perspective view of a desk top file storage rack showing my new design; FIG. 2 is a front elevational view thereof, the rear elevational view being a mirror image; FIG. 3 is a right-side elevational view thereof, the left side elevational view being a mirror image; FIG. 4 is a top plan view thereof; FIG. 5 is a bottom plan view thereof; and, FIG. 6 is a perspective view thereof, the file folder depicted by means of broken lines being shown for illustrative purposes only and forming no part of the claimed design.



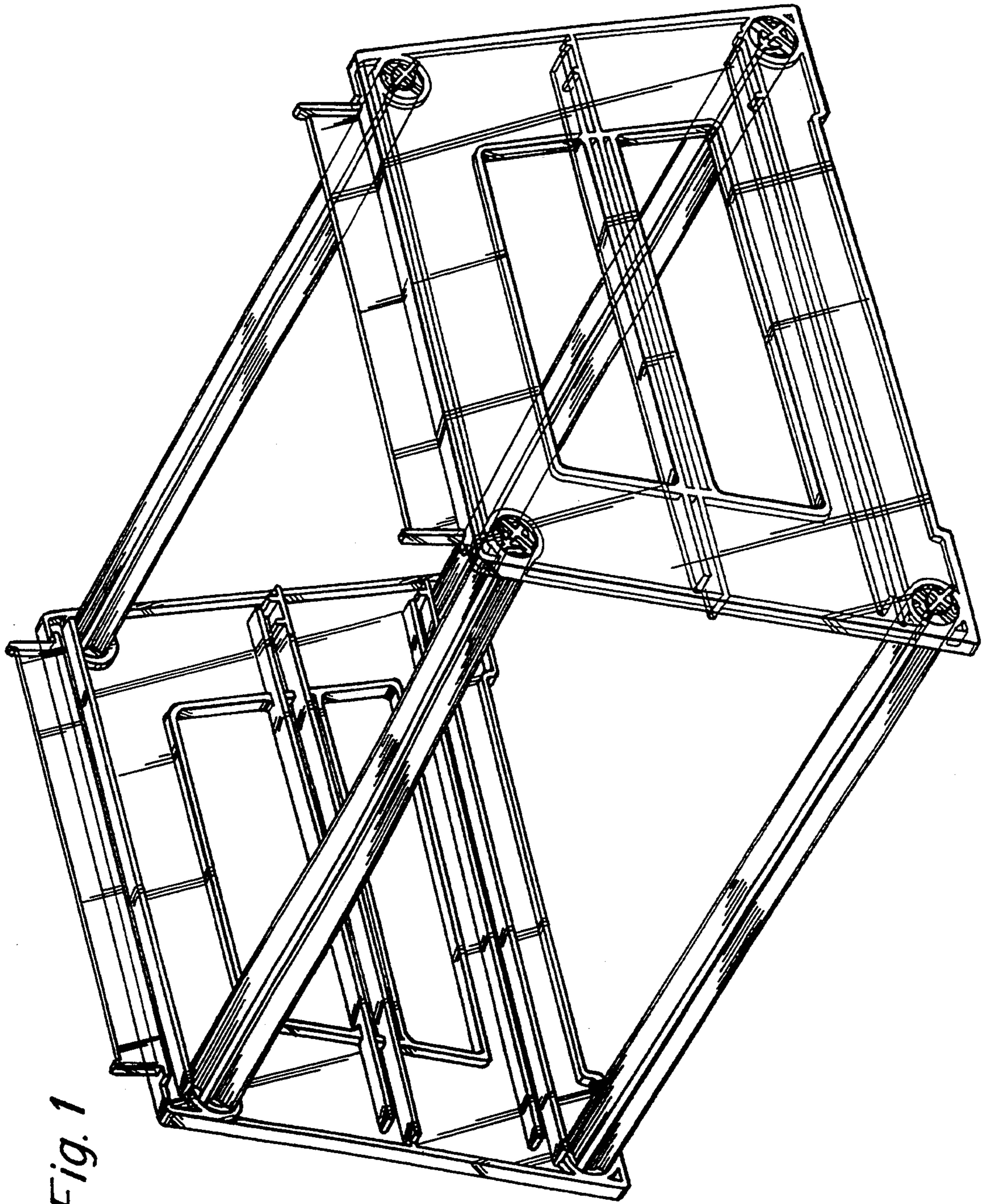


Fig. 1

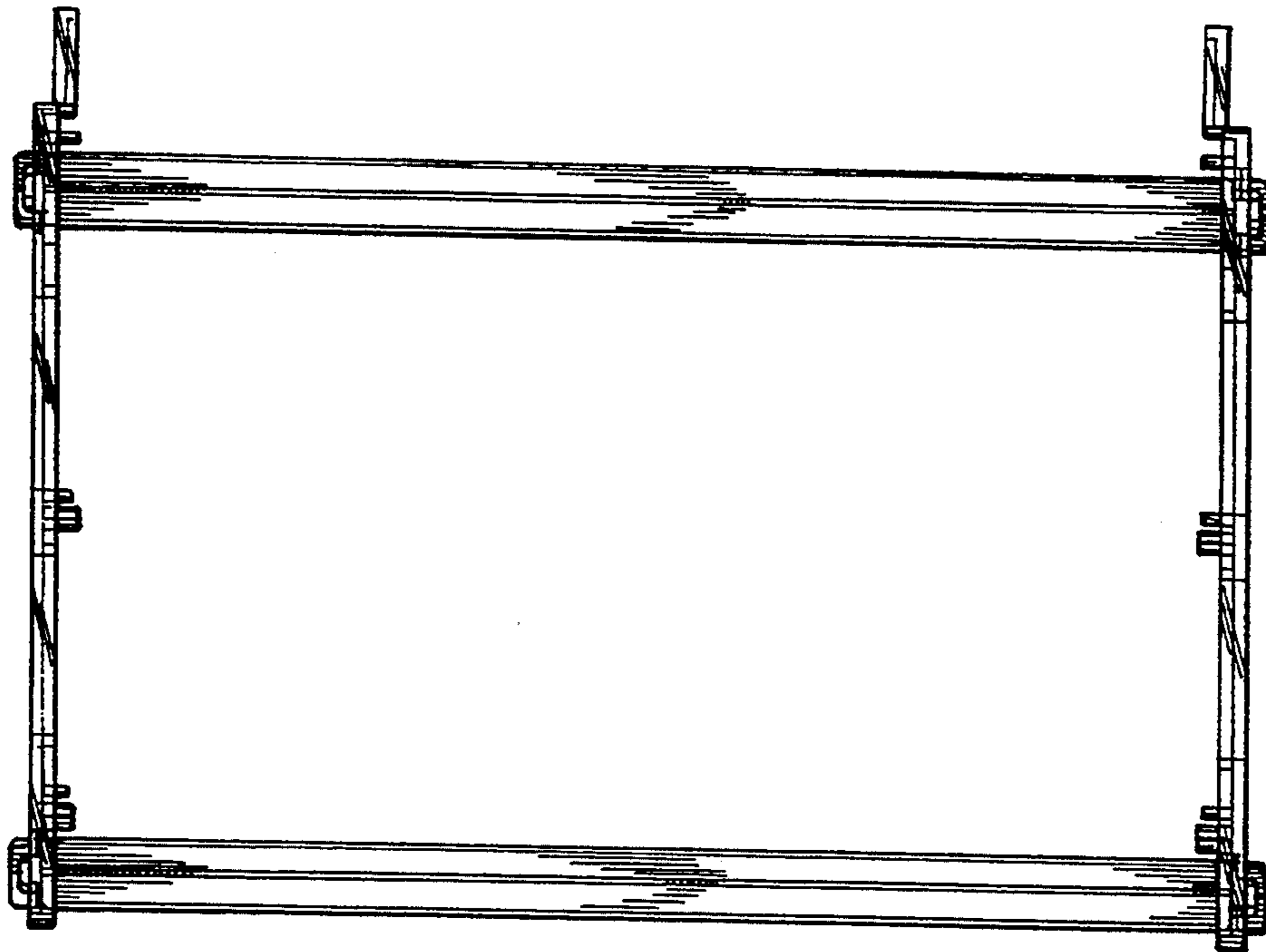


Fig. 2

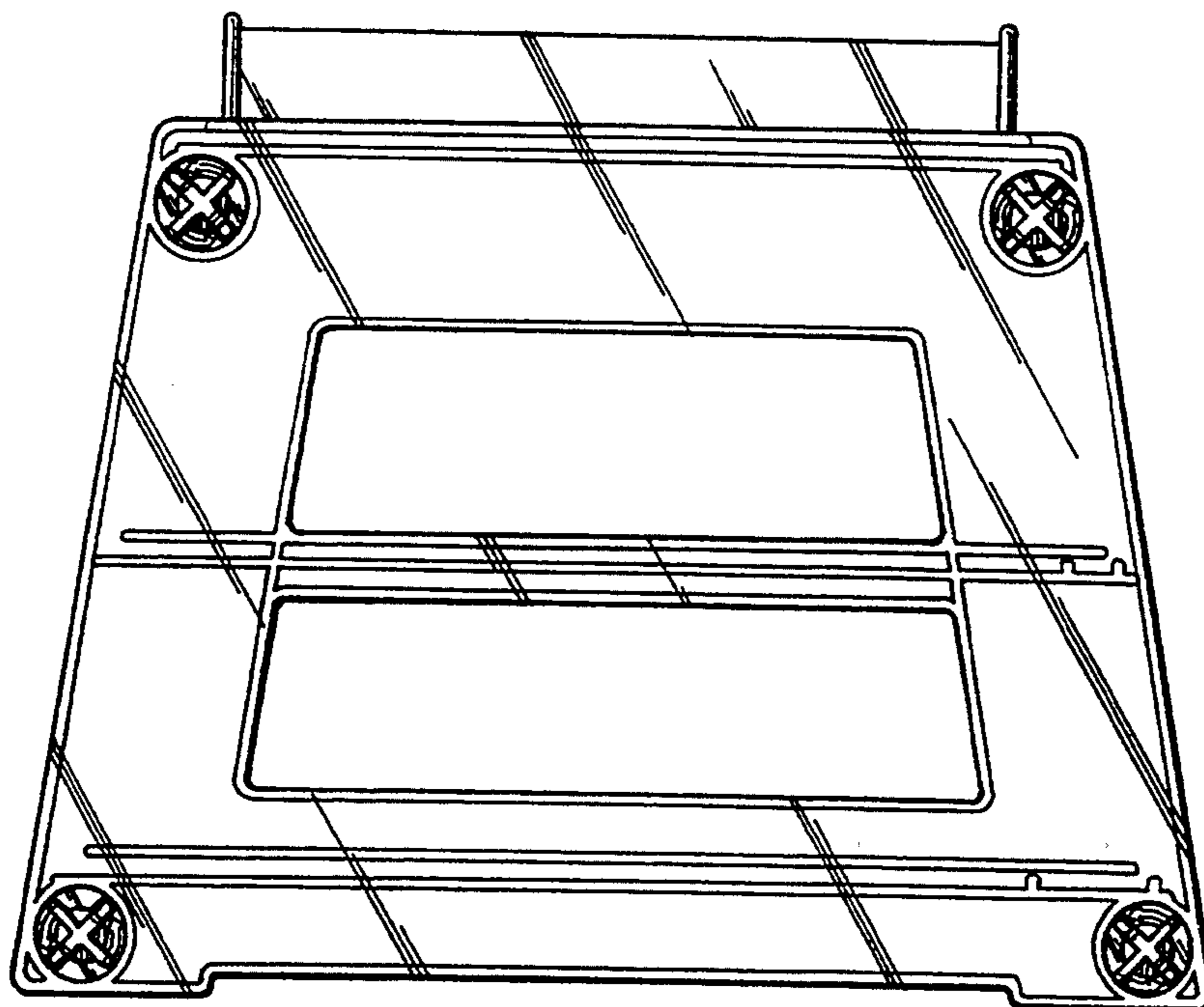


Fig. 3

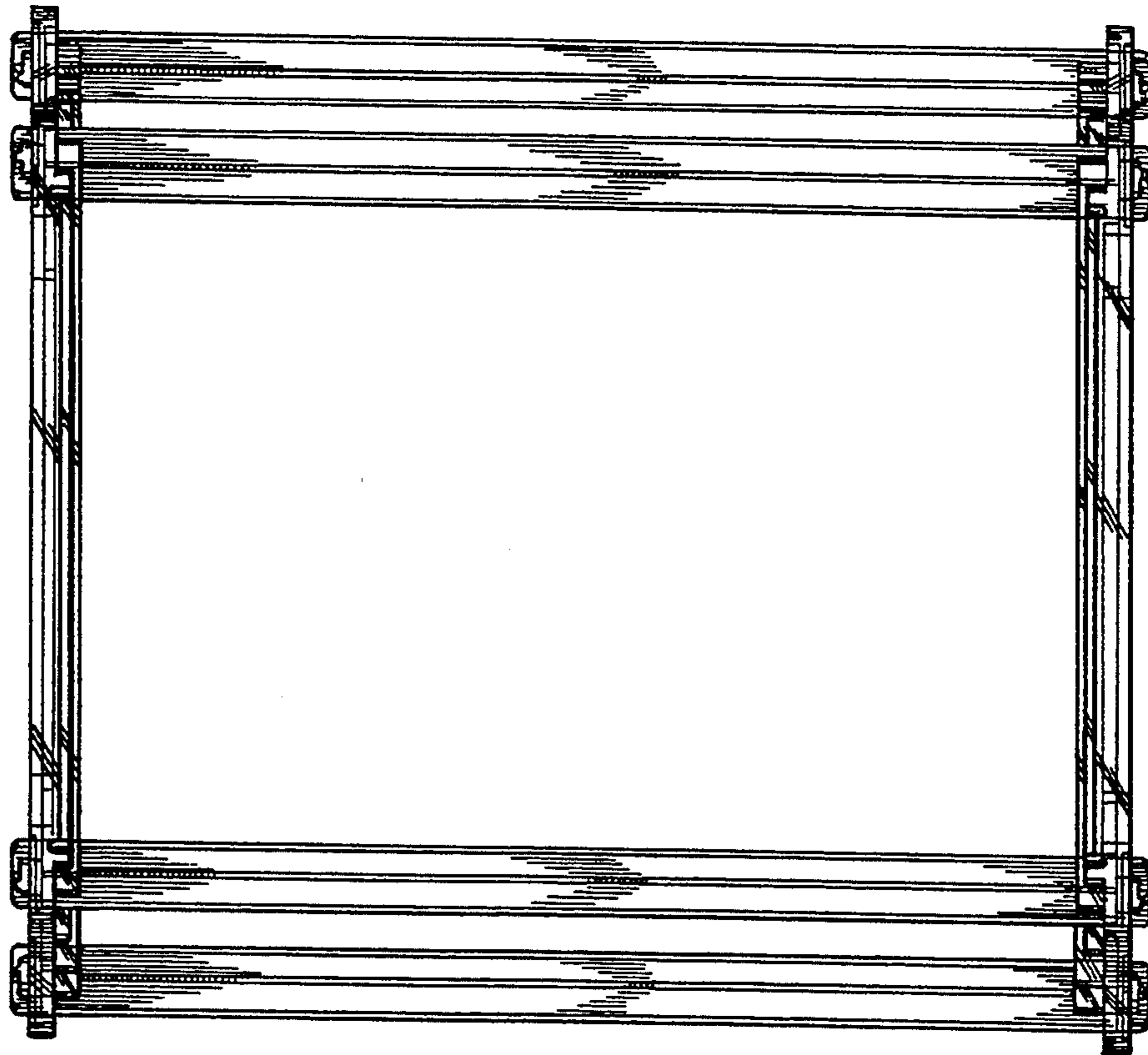


Fig. 4

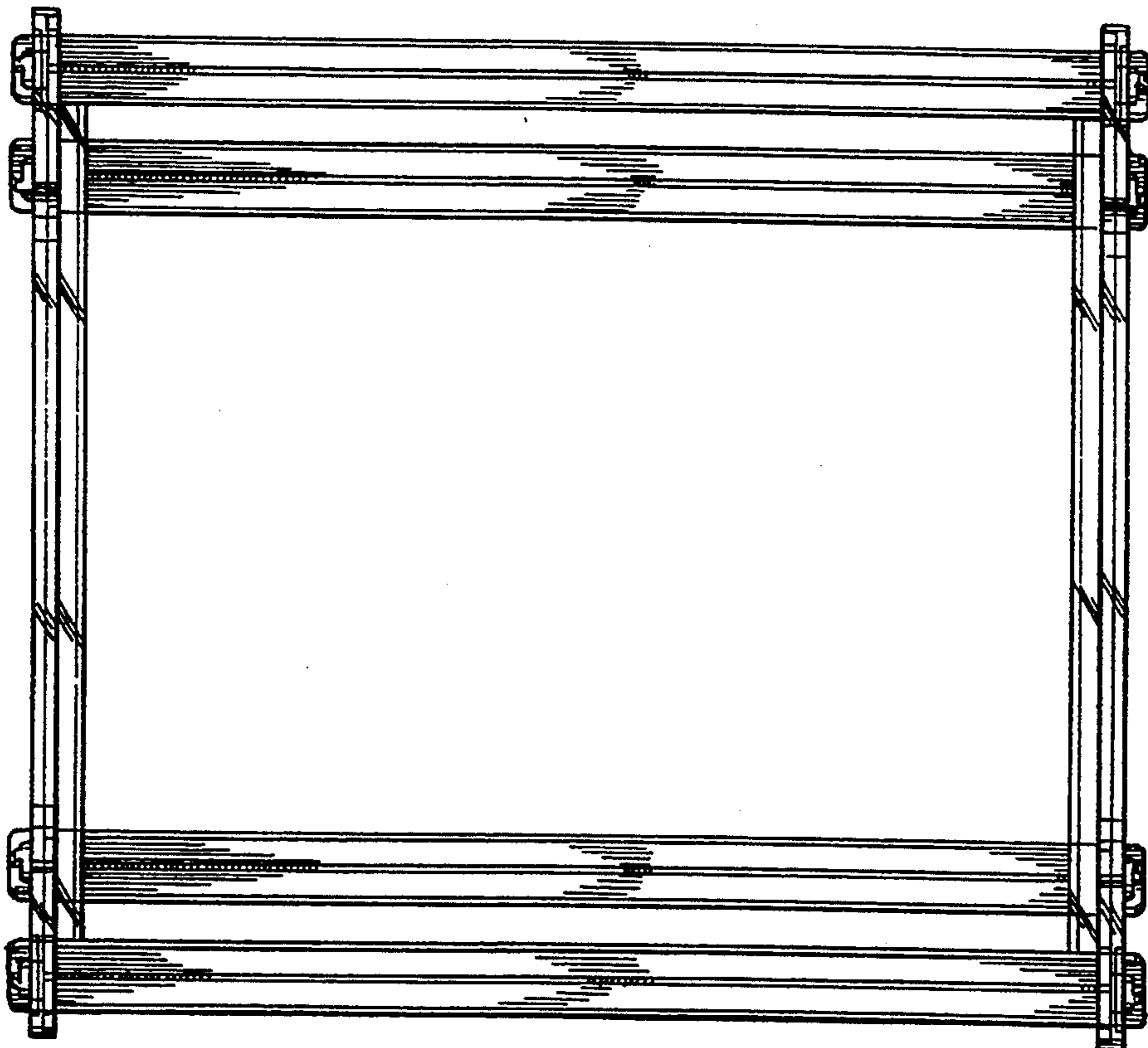


Fig. 5

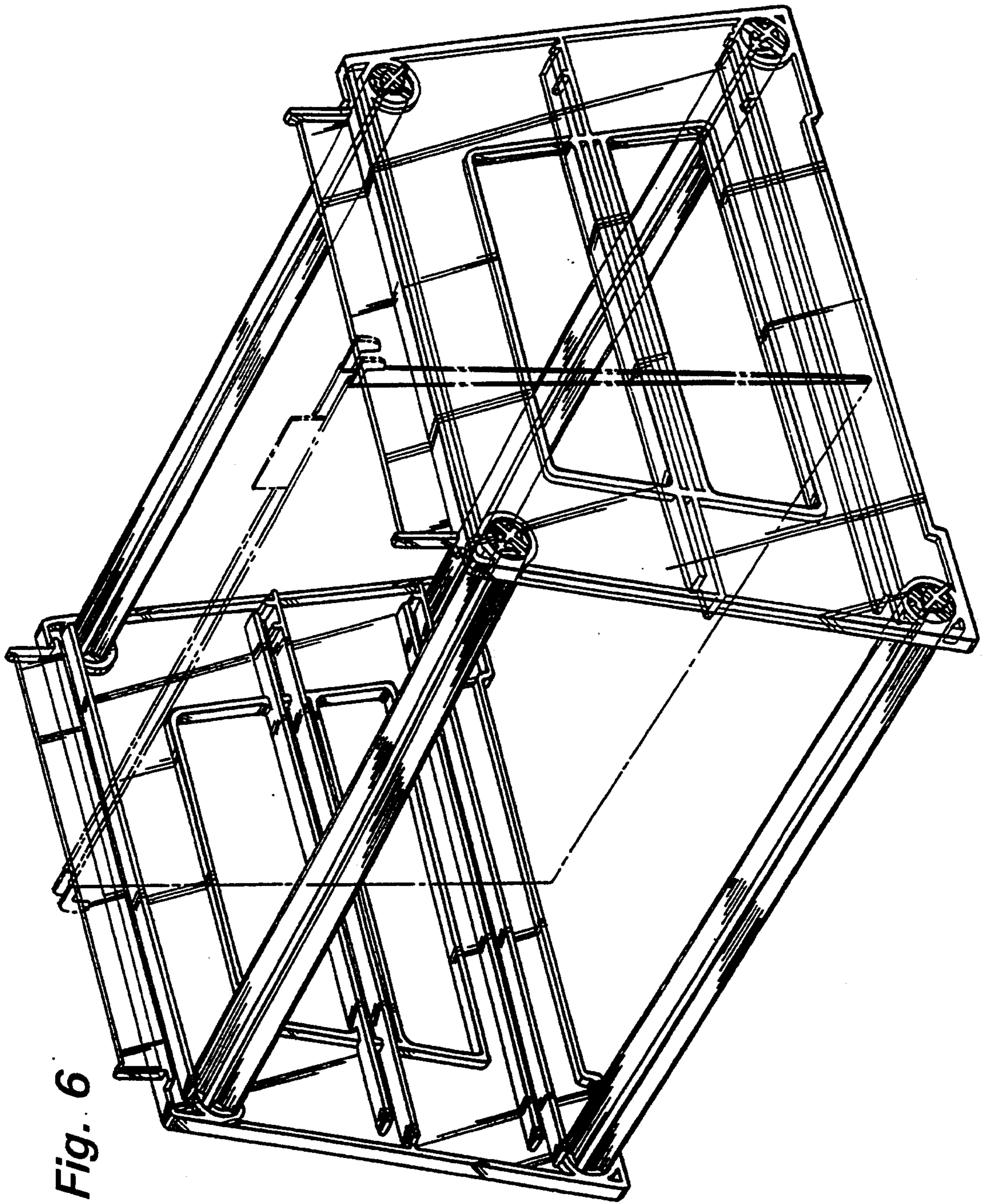


Fig. 6