



US00D352955S

United States Patent [19]

Nordgren

[11] Patent Number: Des. 352,955

[45] Date of Patent: ** Nov. 29, 1994

[54] BINDING MACHINE

[75] Inventor: Peter Nordgren, Stockholm, Sweden

[73] Assignee: Bindomatic AB, Stockholm, Sweden

[**] Term: 14 Years

[21] Appl. No.: 16,144

[22] Filed: Dec. 9, 1993

[30] Foreign Application Priority Data

Jun. 18, 1993 [SE] Sweden 931421

[52] U.S. Cl. D18/34; 412/37; 412/900

[58] Field of Search 412/16, 37, 39, 40, 412/900; 156/908; D18/34

[56] References Cited

U.S. PATENT DOCUMENTS

| | | | | |
|------------|---------|------------------|-------|---------|
| D. 288,212 | 2/1987 | Nordgren | | D18/34 |
| 4,178,201 | 12/1979 | Power et al. | | D18/34 |
| 4,818,168 | 4/1989 | Battisti | | 412/37 |
| 4,904,139 | 2/1990 | Champeaux et al. | | 412/37 |
| 4,904,333 | 2/1990 | Loltner | | 156/908 |
| 5,035,561 | 7/1991 | Loibl | | 412/900 |

5,160,234 11/1992 Lazar 156/908

FOREIGN PATENT DOCUMENTS

4005094 1/1992 Japan 412/37

OTHER PUBLICATIONS

Canon brochure for Q.Bind 50T; cover page.

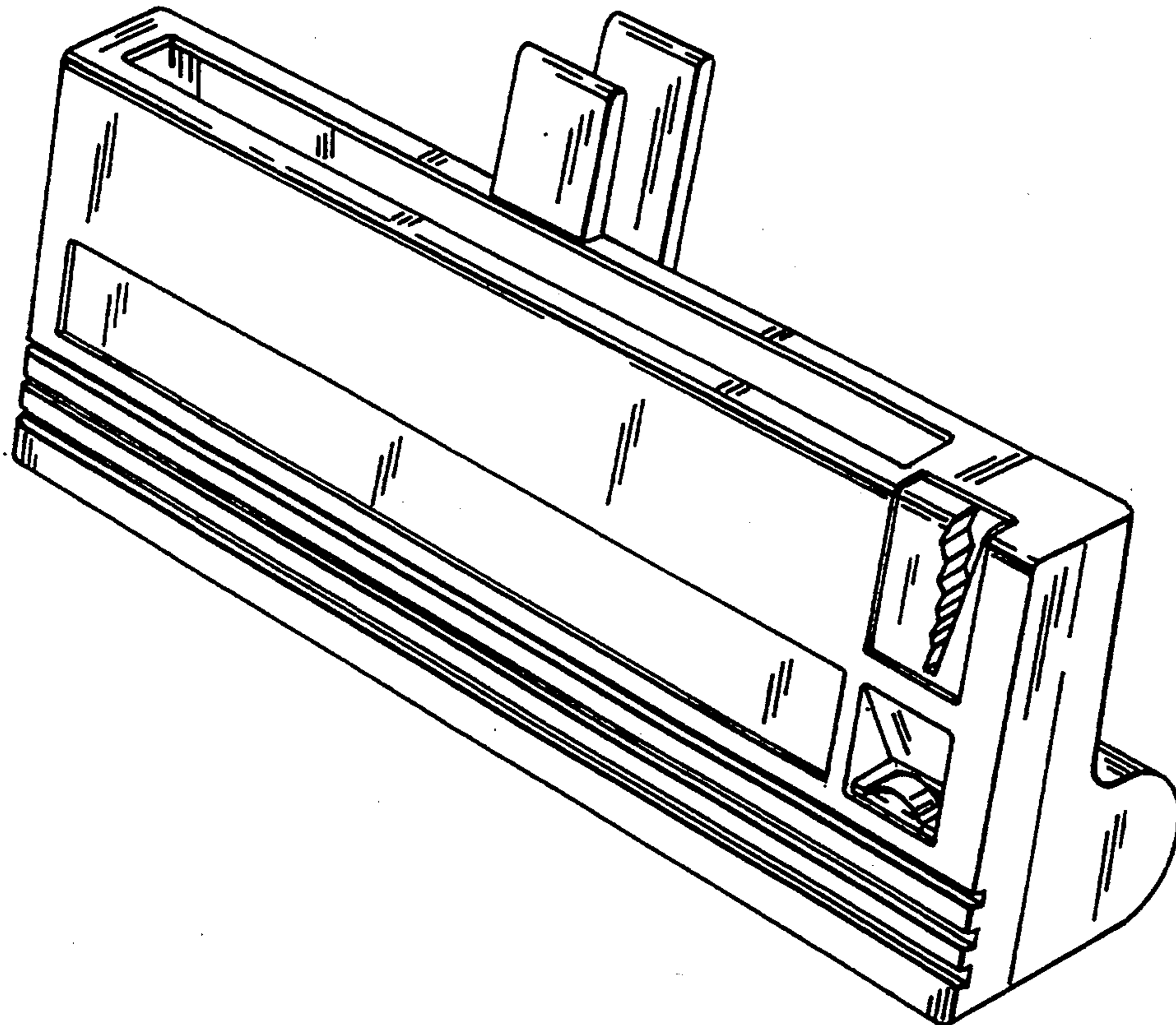
Primary Examiner—Cathy Anne MacCormac
Attorney, Agent, or Firm—Cooper & Dunham

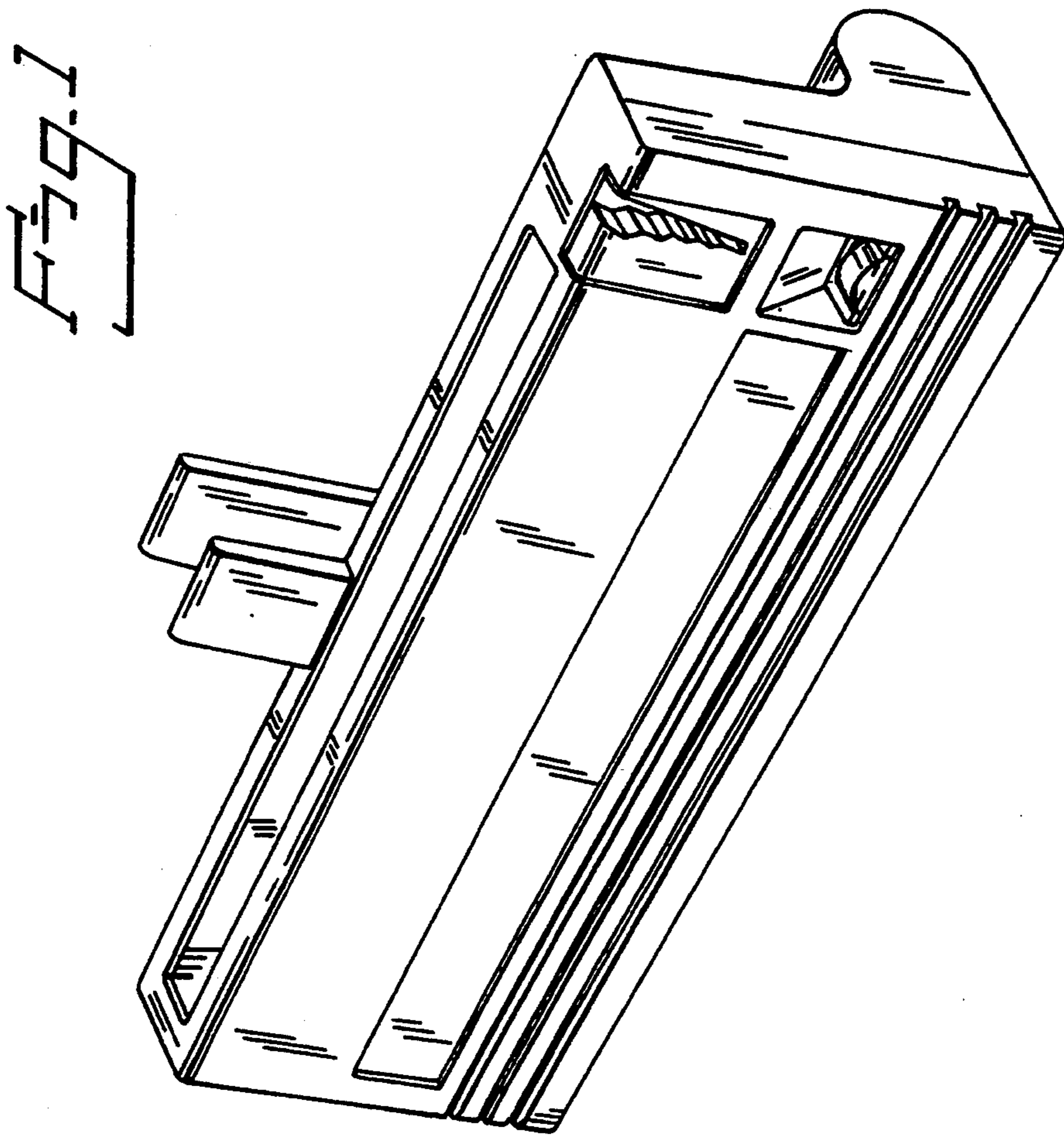
[57] CLAIM

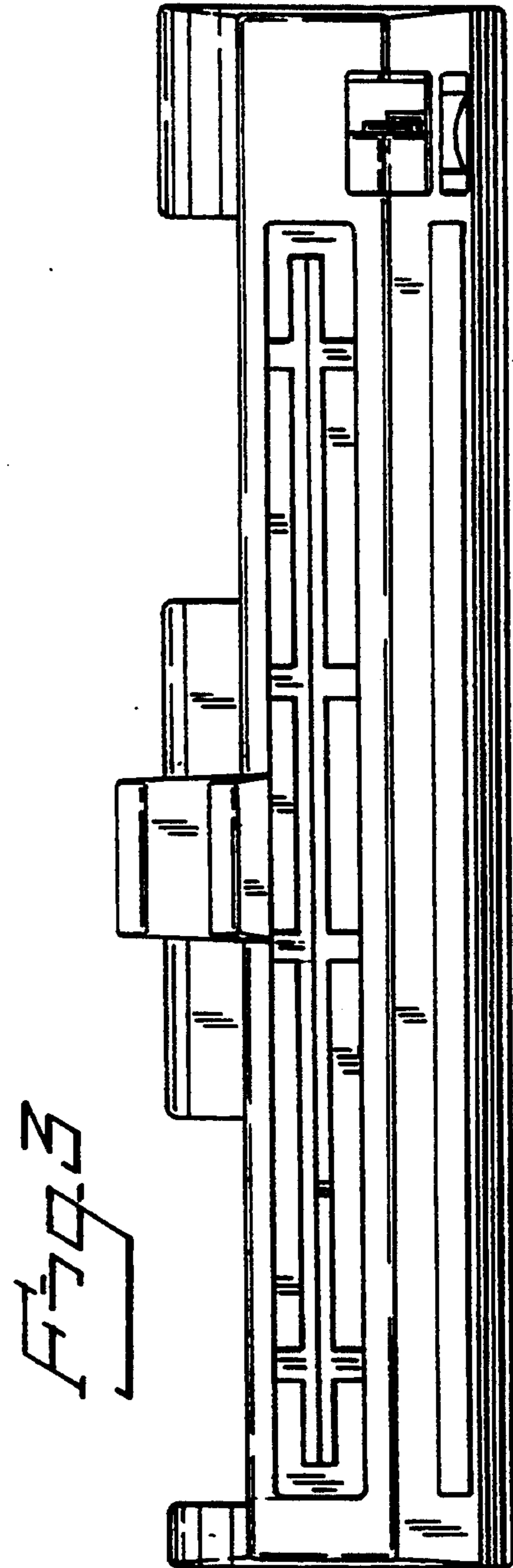
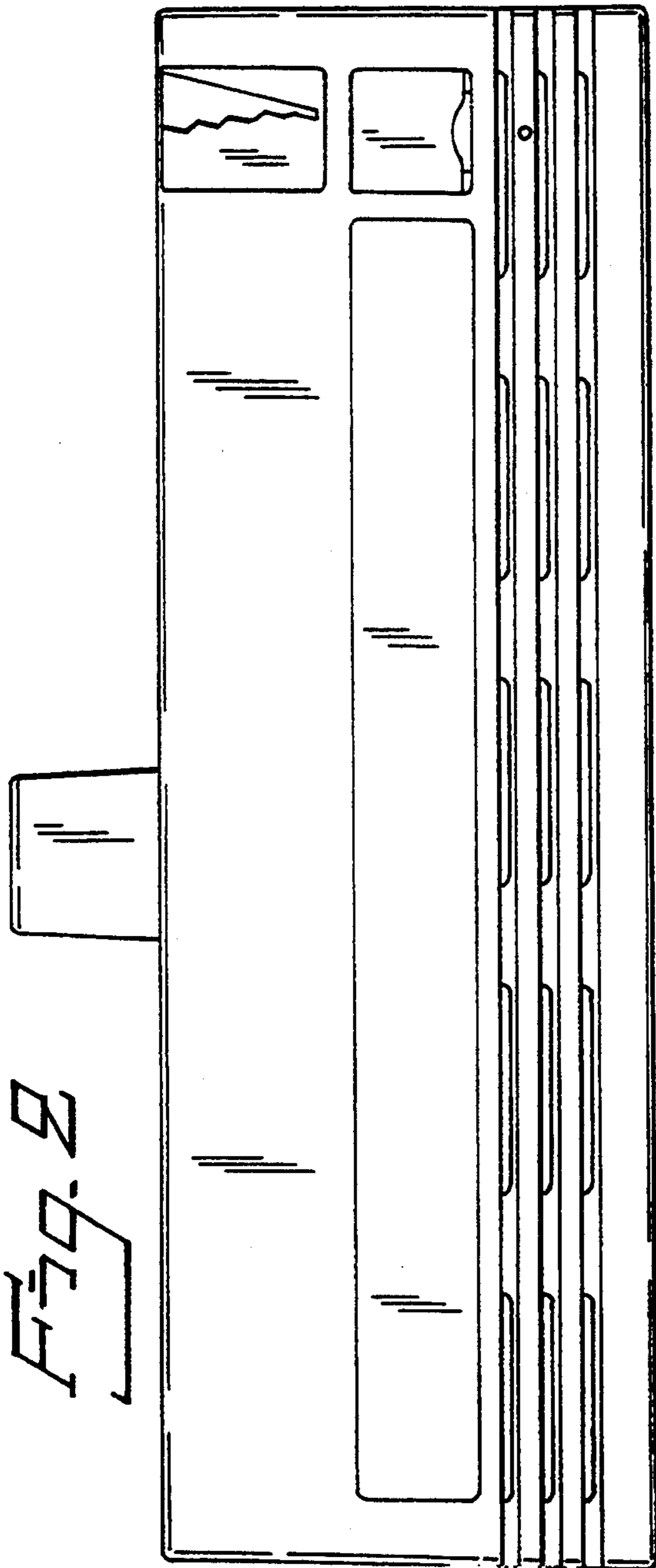
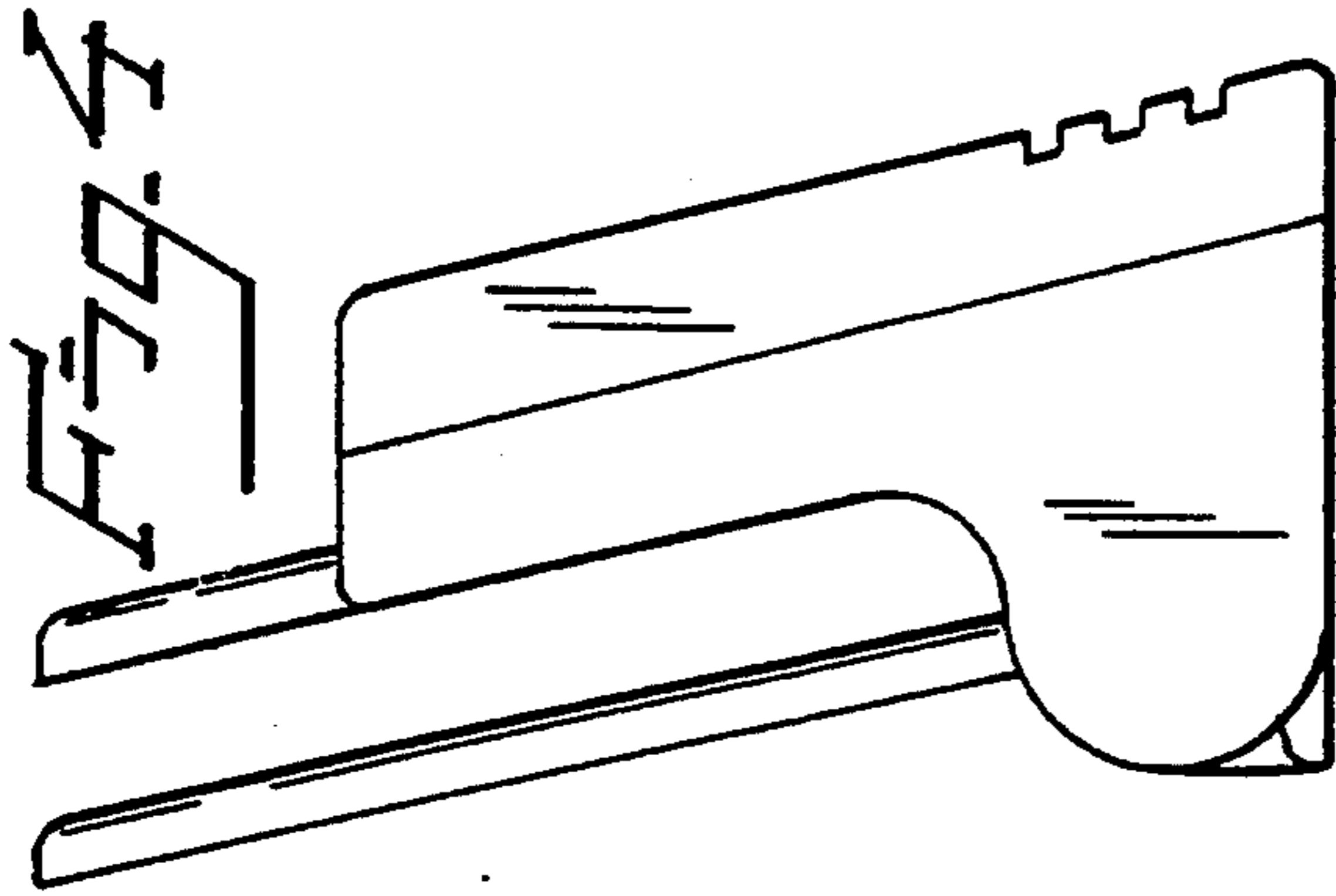
The ornamental design for a binding machine, as shown.

DESCRIPTION

FIG. 1 is a top perspective view of a binding machine showing my new design;
 FIG. 2 is a front view thereof;
 FIG. 3 is a top view thereof;
 FIG. 4 is a side view thereof seen from the left in FIG. 2;
 FIG. 5 is a back view thereof;
 FIG. 6 is a bottom view thereof; and,
 FIG. 7 is a side view thereof seen from the left in FIG. 5.







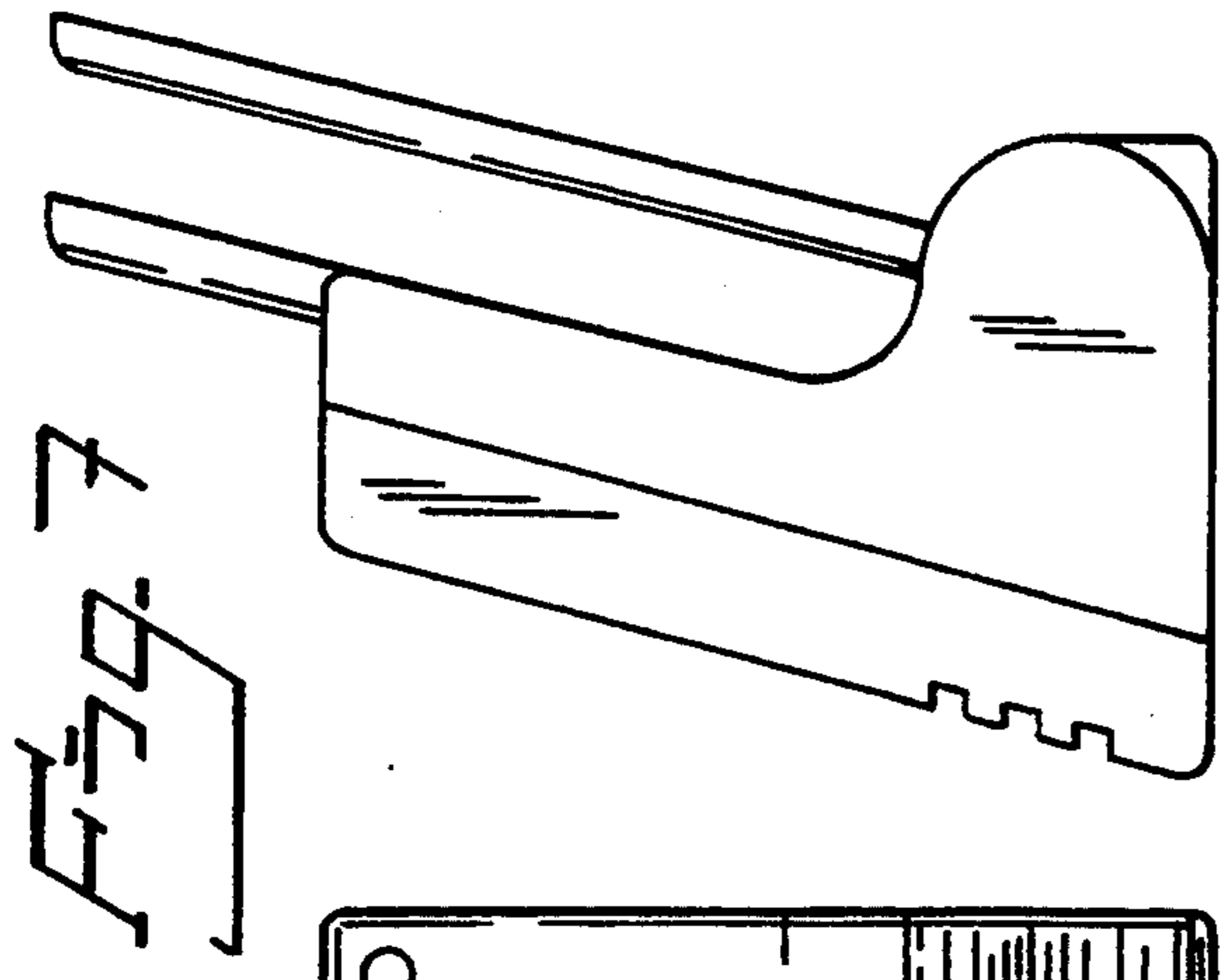


Fig. 7

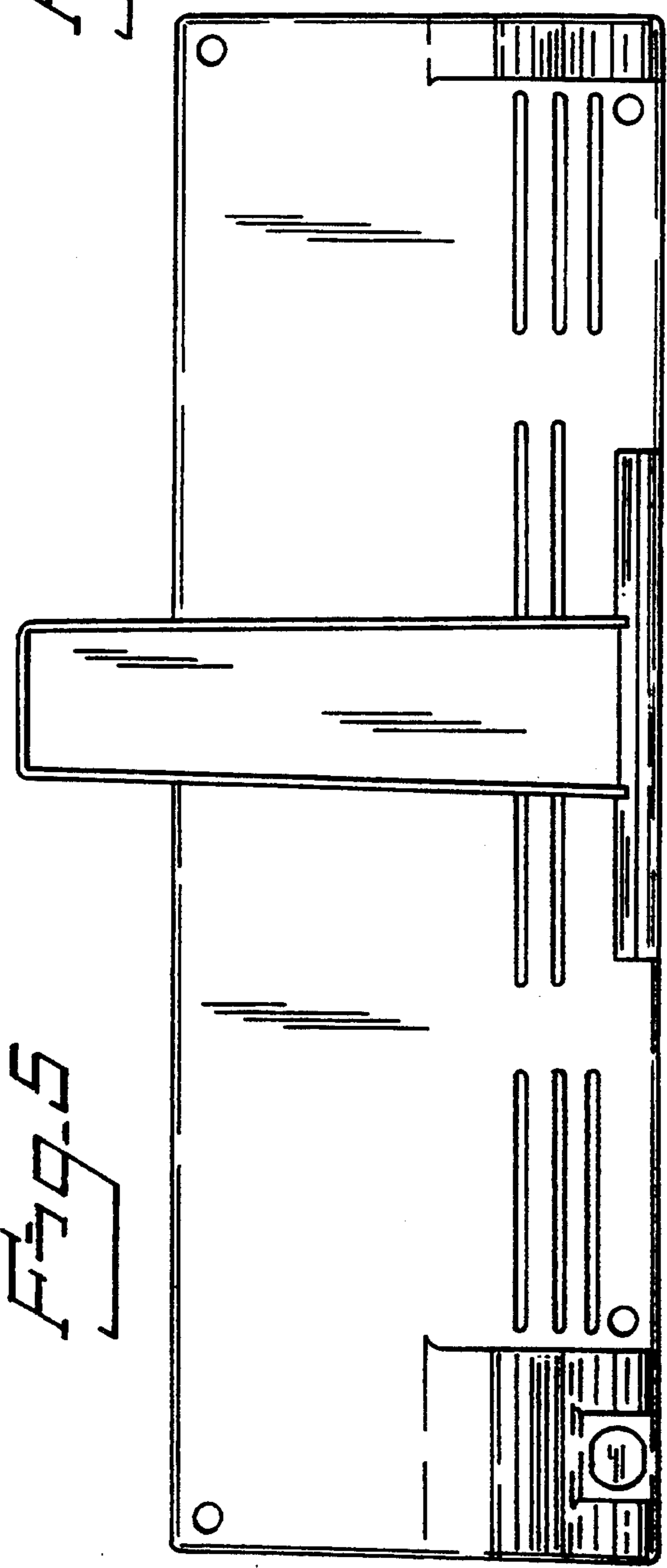


Fig. 5

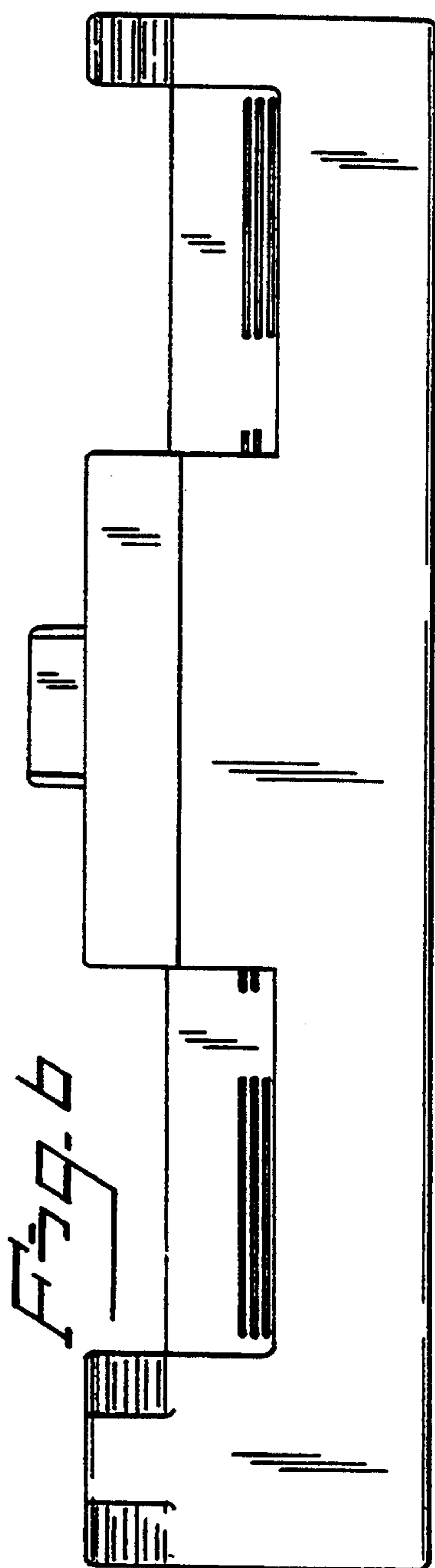


Fig. 6