



US00D352951S

United States Patent [19]

Choate

[11] Patent Number: **Des. 352,951**

[45] Date of Patent: **** Nov. 29, 1994**

[54] **BASS DRUM RETAINING MAT**

4,441,398 4/1984 Baker 84/421

[76] Inventor: **Brian W. Choate**, 6159 W. Dakin St.,
Chicago, Ill. 60634

OTHER PUBLICATIONS

Sweets Catalog, 1961 p. 5.

[**] Term: **14 Years**

Primary Examiner—B. J. Bullock

[21] Appl. No.: **710,905**

Assistant Examiner—Adir Aronovich

[22] Filed: **Jun. 5, 1991**

Attorney, Agent, or Firm—Leydig, Voit & Mayer, Ltd.

[52] U.S. Cl. **D17/22**

[57] CLAIM

[58] Field of Search D6/449, 491; 84/421,
84/453; D17/22, 99; D25/119, 120, 123, 124,
125

The ornamental design for a bass drum retaining mat, as shown and described.

[56] References Cited

DESCRIPTION

U.S. PATENT DOCUMENTS

D. 180,759	8/1957	Allen	D17/22
D. 253,408	11/1979	Sargent	D12/217
D. 270,764	9/1983	Kenin	D25/119
D. 295,053	4/1988	Diaz	D17/22
D. 303,331	9/1989	Diaz	D6/491
3,096,677	7/1963	Ryan	84/453

FIG. 1 is a perspective view a bass drum retaining mat showing my new design;

FIG. 2 is a top plan view thereof, with the bottom reflecting merely a flat surface;

FIG. 3 is a right side elevational view thereof, with the left side being a mirror image; and,

FIG. 4 is a front elevational view thereof, with the rear view being a mirror image.

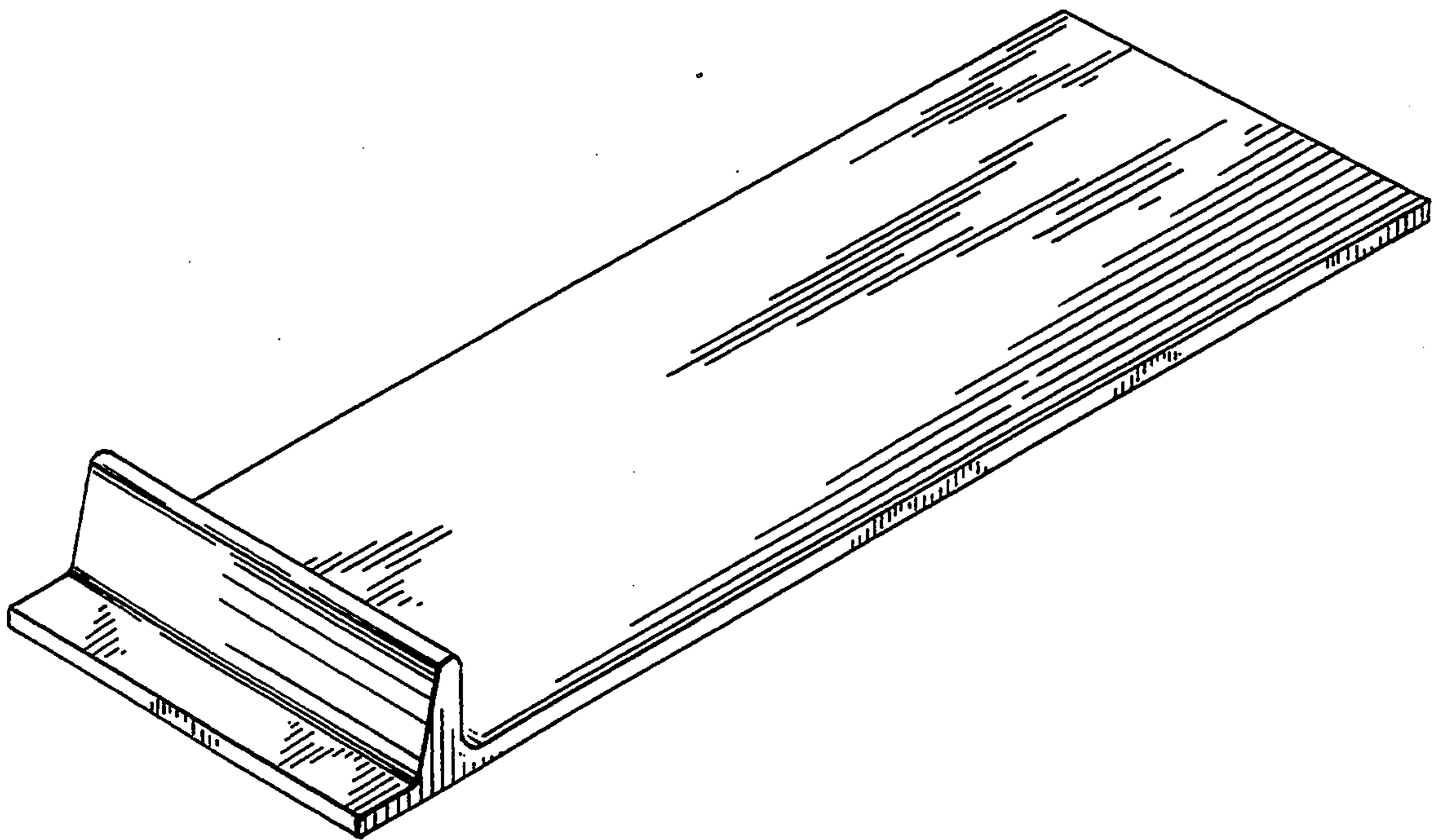


Fig. 1

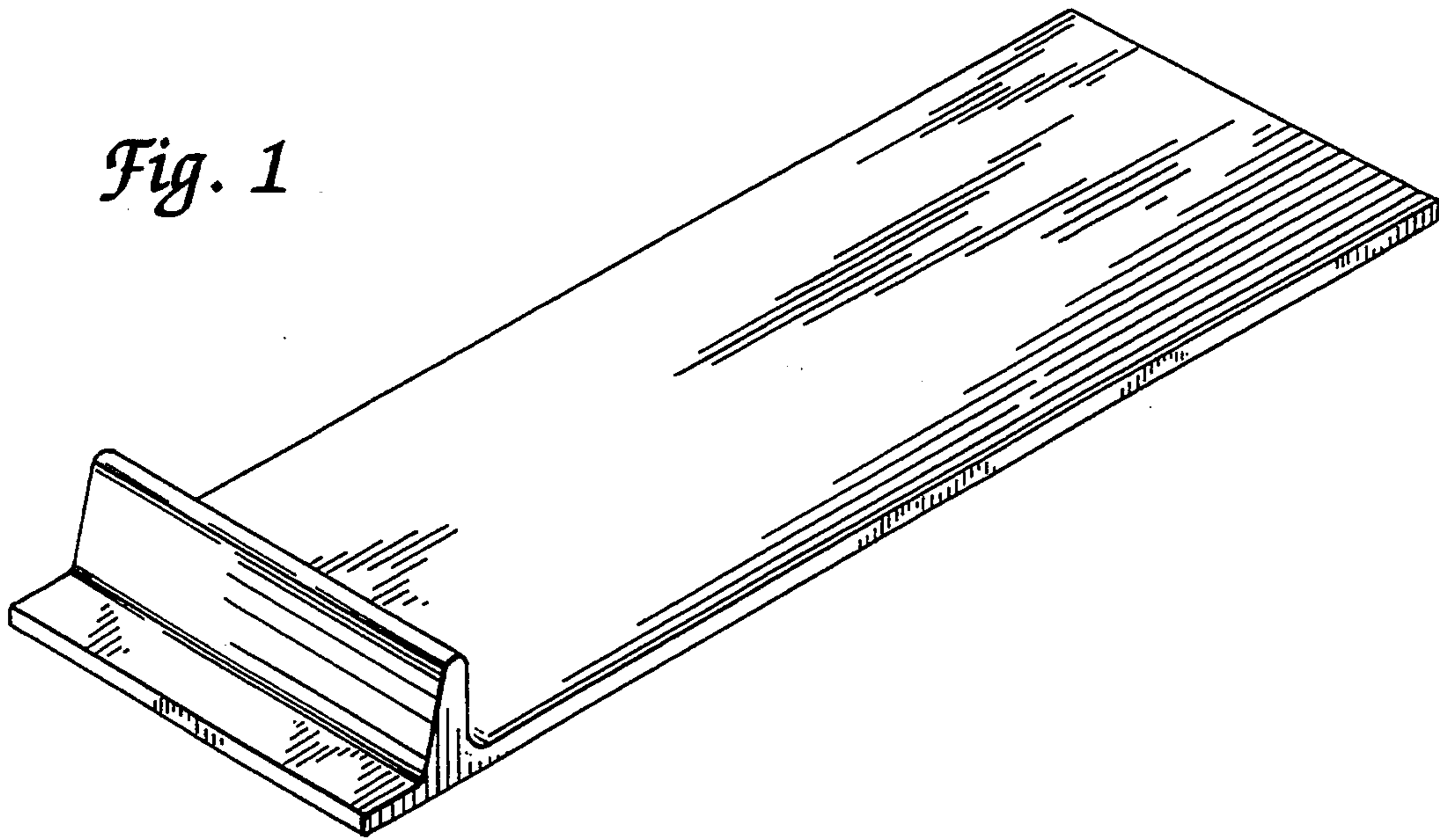


Fig. 2

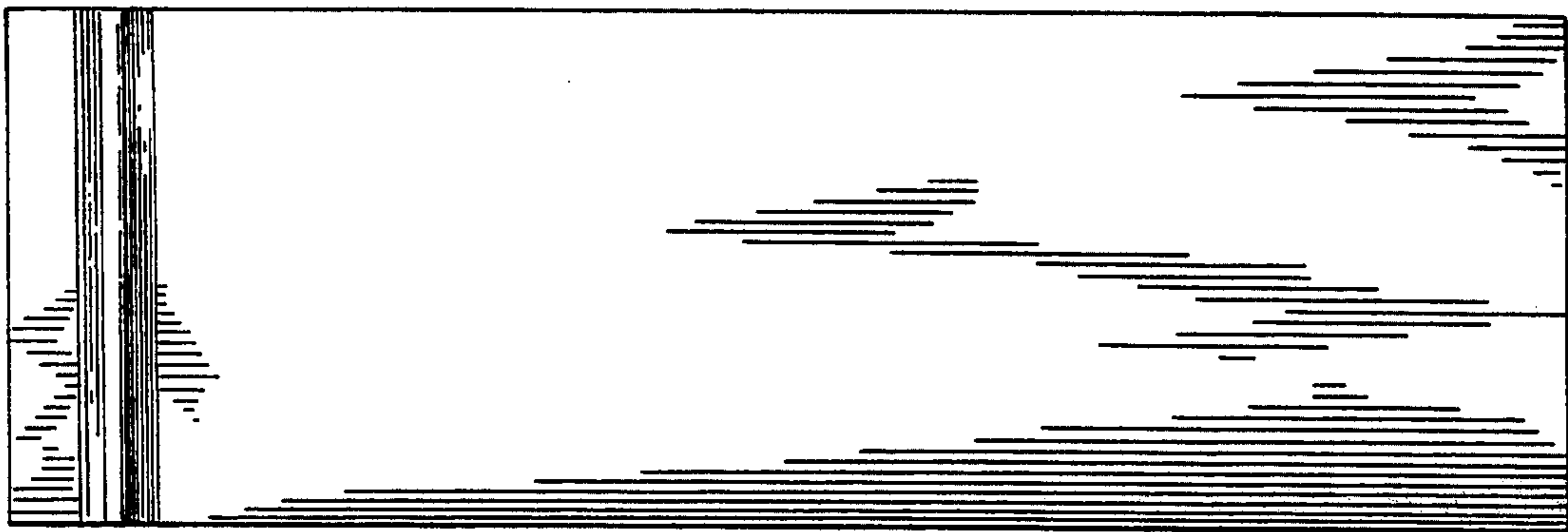


Fig. 3



Fig. 4

