



US00D352950S

# United States Patent [19]

[11] Patent Number: **Des. 352,950**

Rasocha

[45] Date of Patent: **\*\* Nov. 29, 1994**

[54] UNDERWATER MASK

[75] Inventor: **Stan Rasocha**, Deerfield, Ill.

[73] Assignee: **Aqua-Leisure Industries, Inc.**, Avon, Mass.

[\*\*] Term: **14 Years**

[21] Appl. No.: **5,304**

[22] Filed: **Mar. 1, 1993**

[52] U.S. Cl. .... **D16/303; D16/311**

[58] Field of Search ..... **2/428, 430, 439; D29/9; D16/107**

[56] **References Cited**

**U.S. PATENT DOCUMENTS**

- D. 290,764 7/1987 Berenson ..... D29/9
- D. 292,329 10/1987 Vitaloni ..... D29/9

- D. 310,277 8/1990 Sugrta ..... D29/9
- D. 315,619 3/1991 Goldman ..... D29/9
- D. 342,810 12/1993 Berenson ..... D29/9

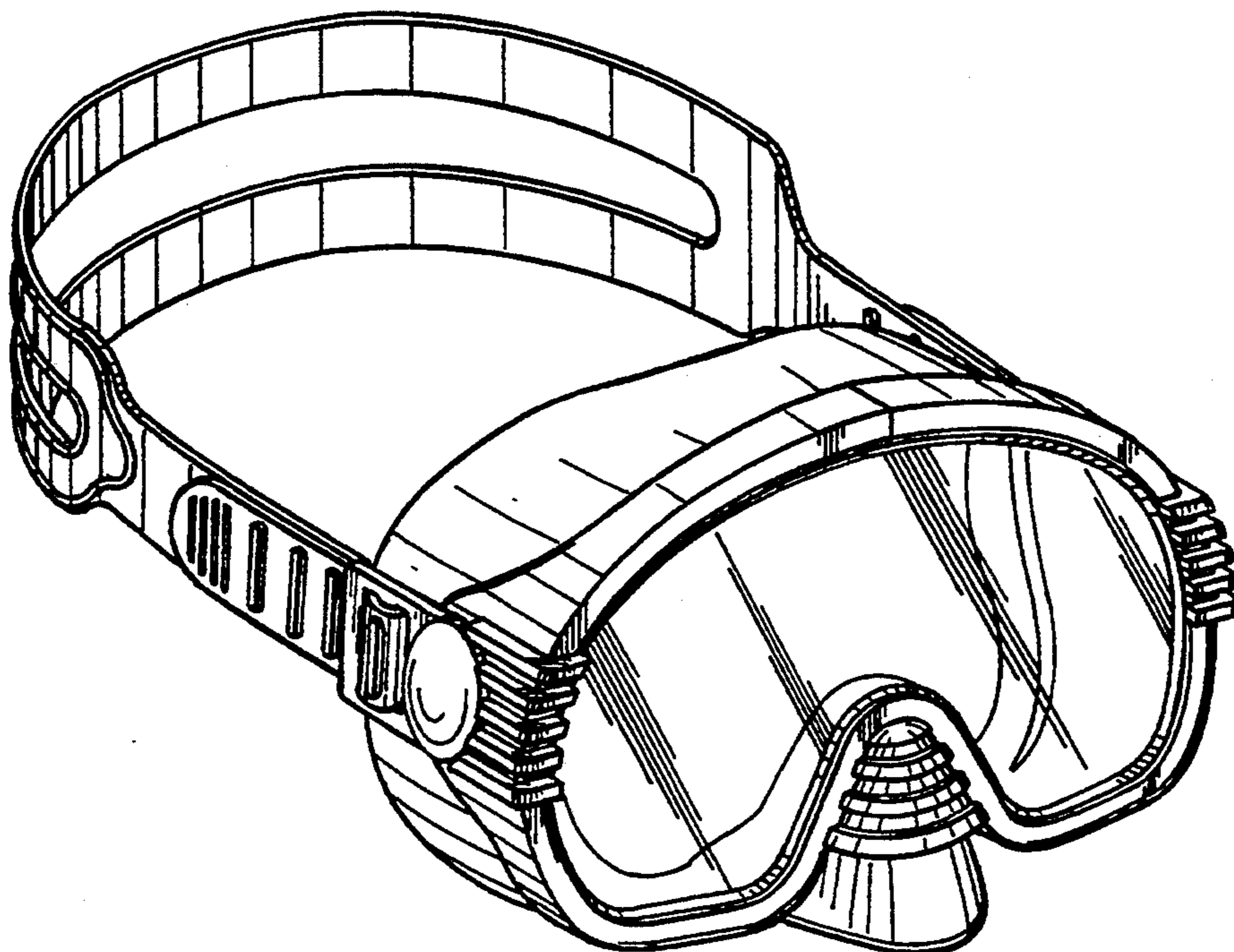
*Primary Examiner*—Kay H. Chin  
*Attorney, Agent, or Firm*—Wolf, Greenfield & Sacks

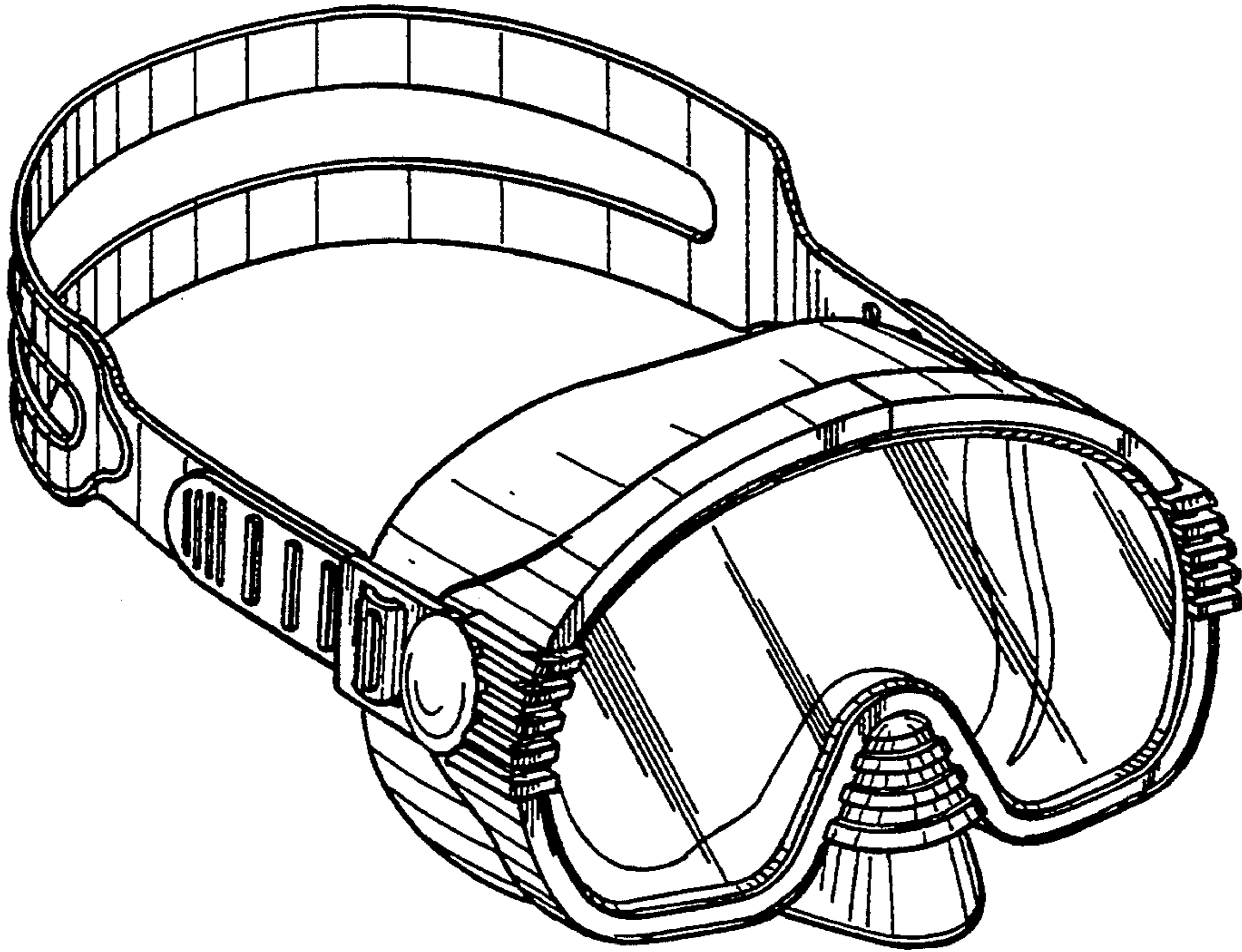
[57] **CLAIM**

The ornamental design for an underwater mask, as shown and described.

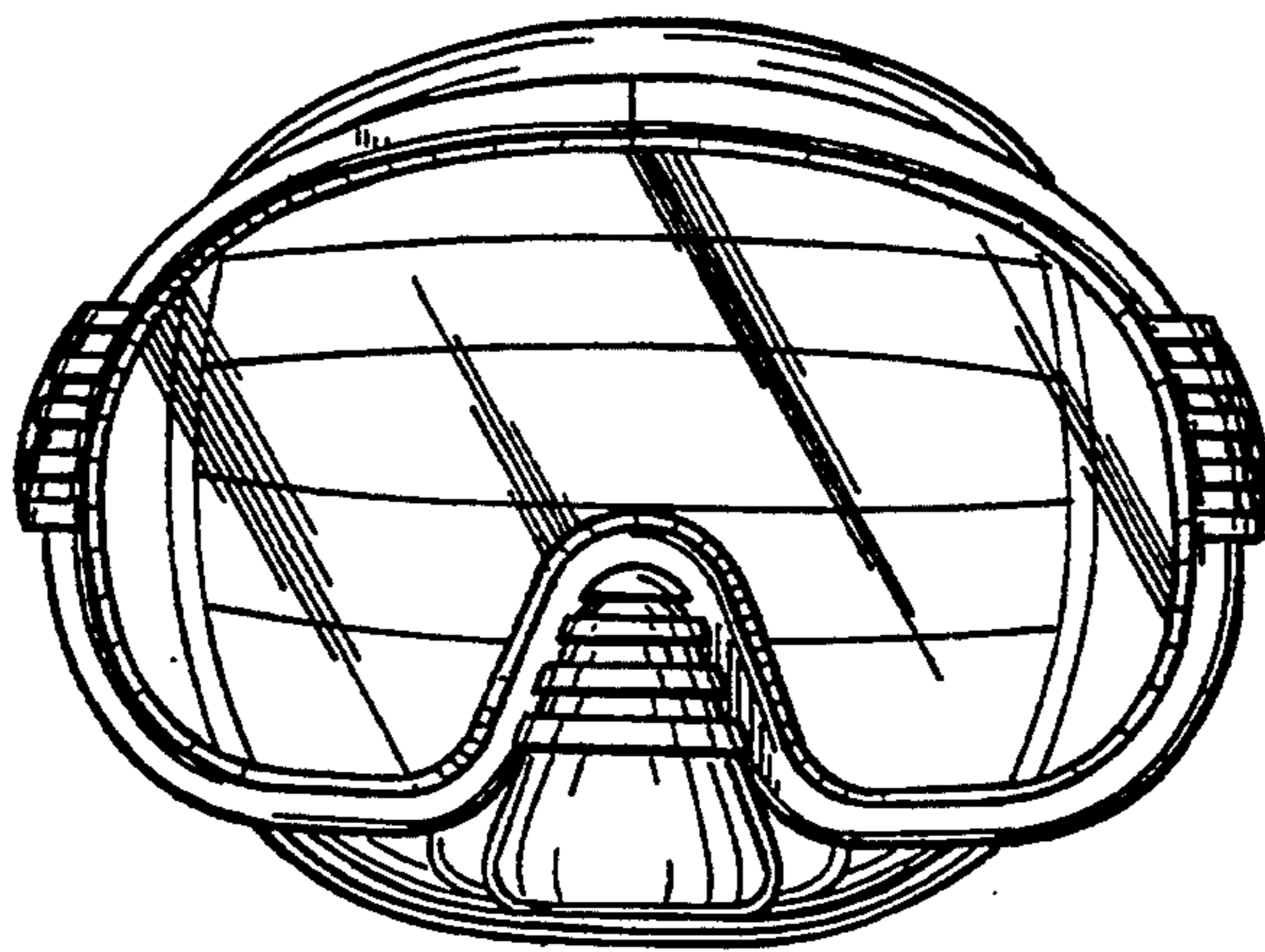
**DESCRIPTION**

FIG. 1 is a front perspective view of the underwater mask;  
 FIG. 2 is a front plan view thereof;  
 FIG. 3 is a right side view thereof with the left side view being a mirror image thereof;  
 FIG. 4 is a rear view thereof;  
 FIG. 5 is a top view thereof; and,  
 FIG. 6 is a bottom view thereof.

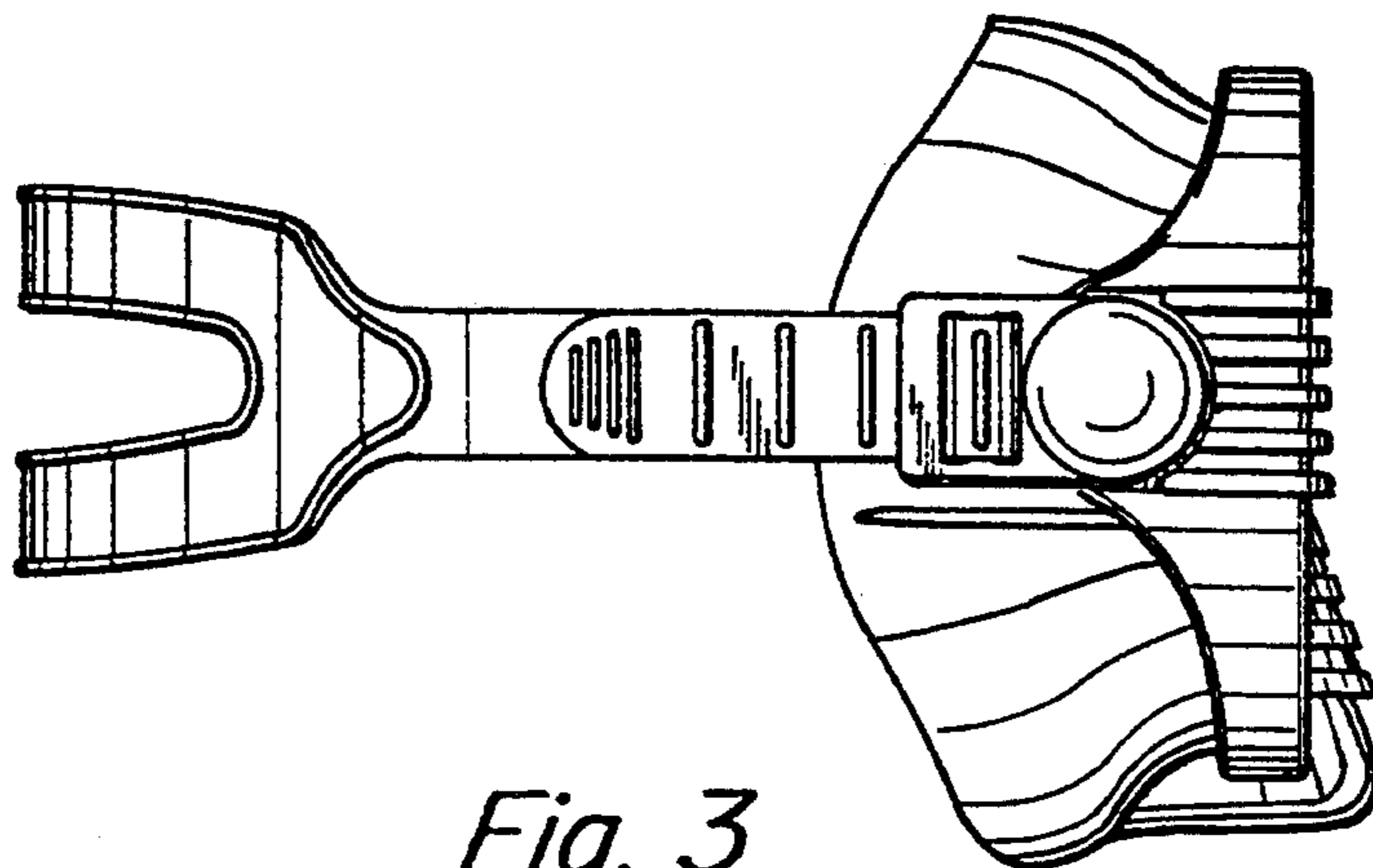




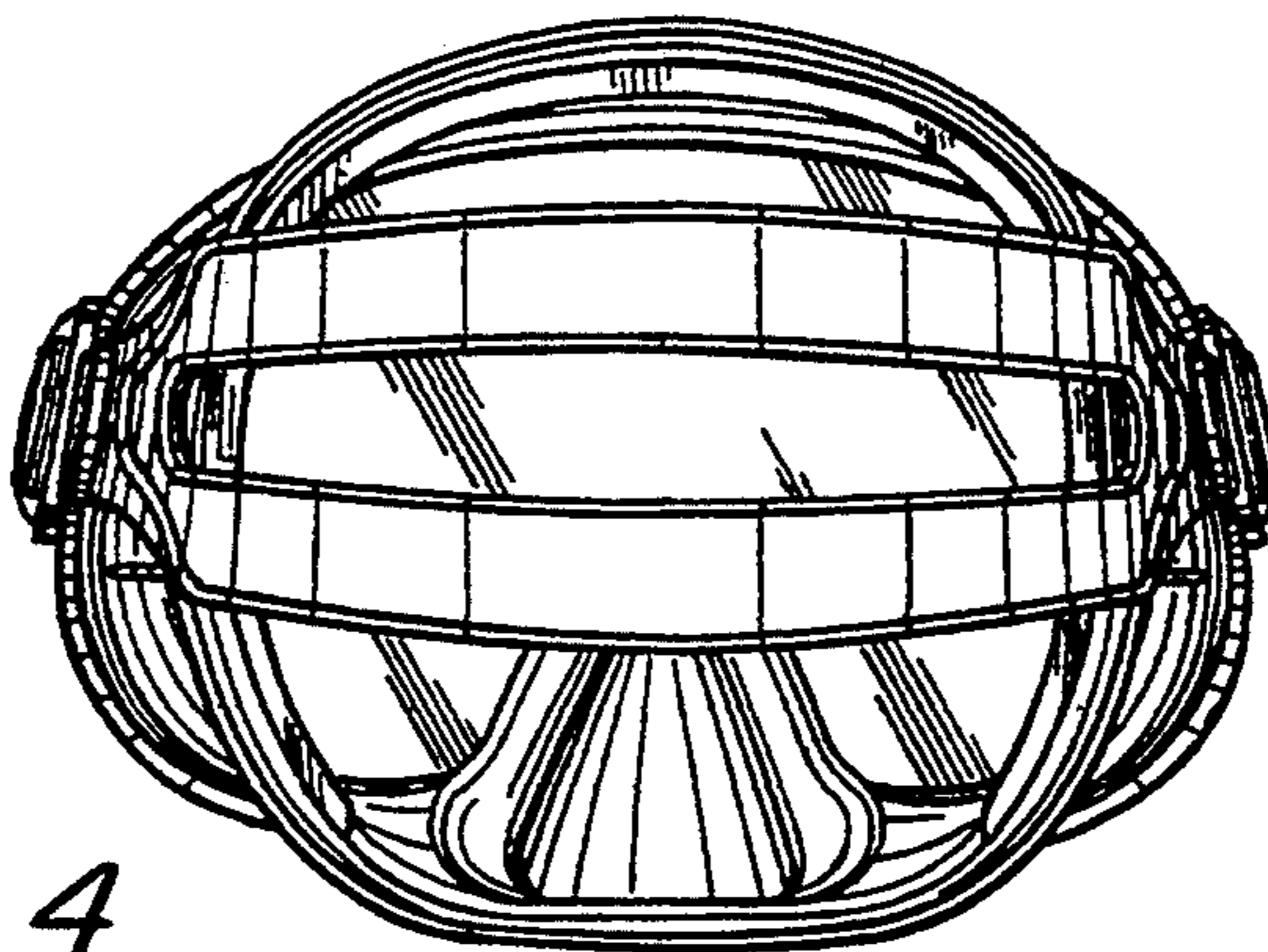
*Fig. 1*



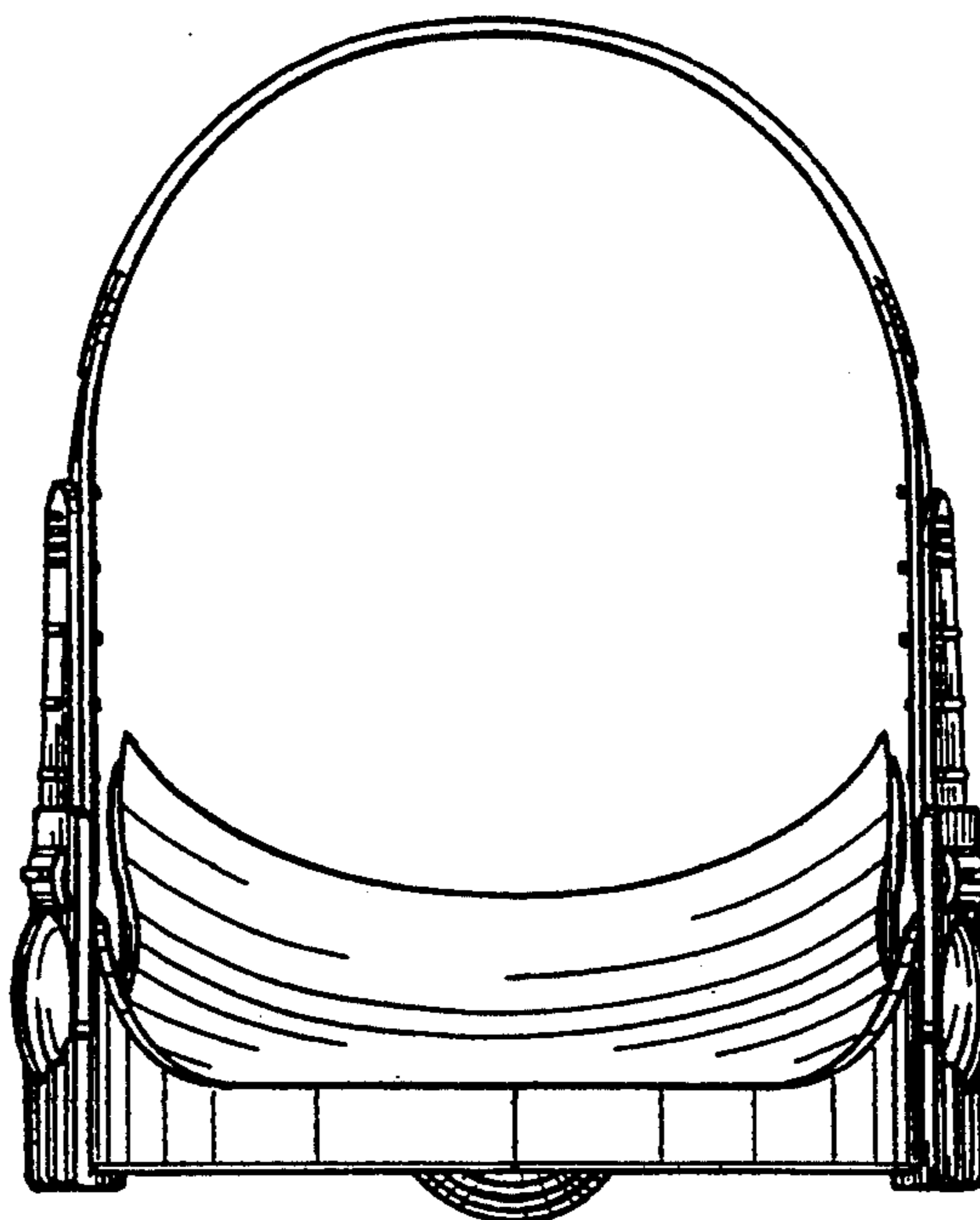
*Fig. 2*



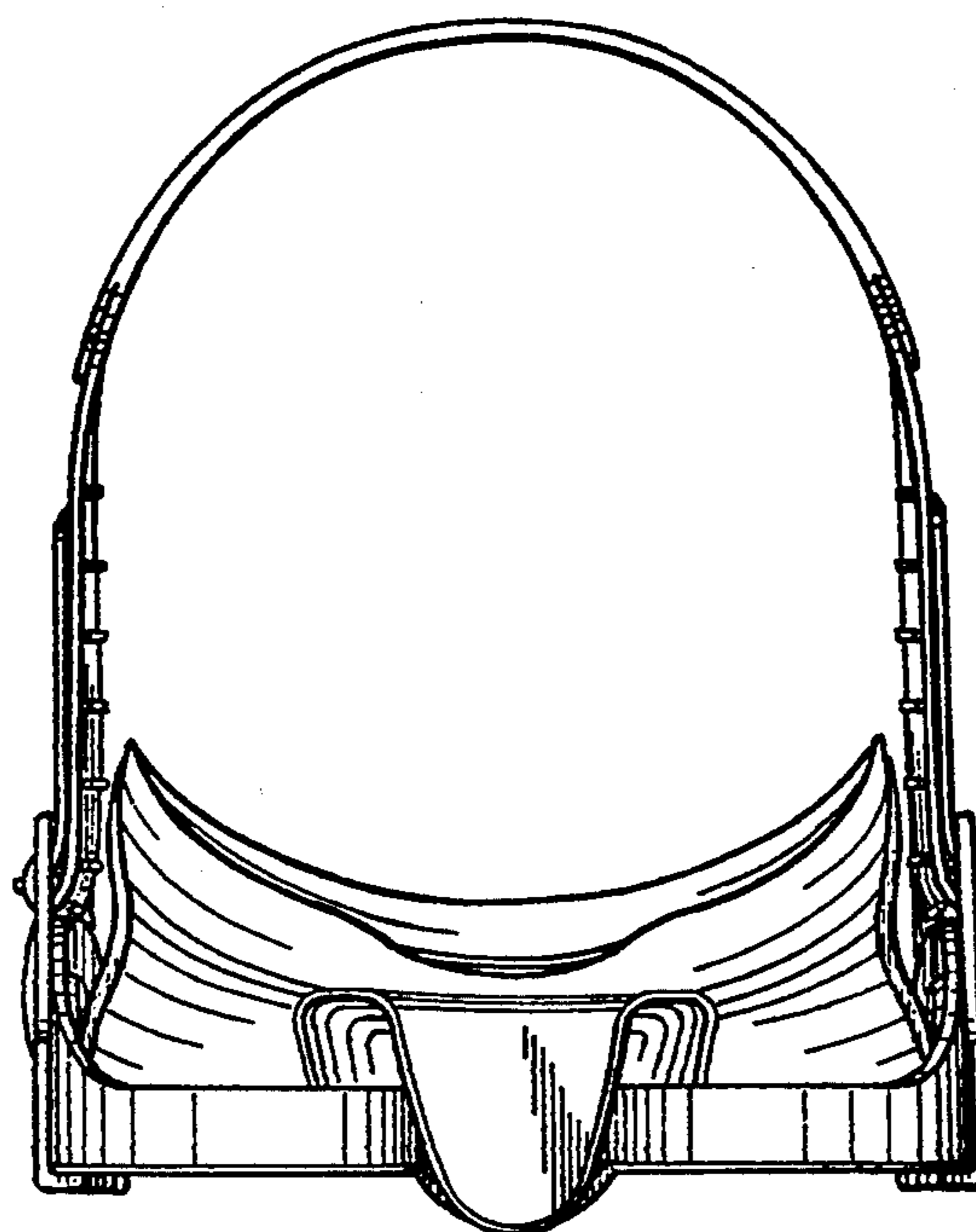
*Fig. 3*



*Fig. 4*



*Fig. 5*



*Fig. 6*