



US00D352949S

United States Patent [19] Kondo

[11] Patent Number: **Des. 352,949**
[45] Date of Patent: **** Nov. 29, 1994**

[54] MEMORY CARD CAMERA

[75] Inventor: **Shozo Kondo**, Tokyo, Japan
[73] Assignee: **Fuji Photo Film Co., Ltd.**, Kanagawa, Japan
[**] Term: **14 Years**
[21] Appl. No.: **5,685**
[22] Filed: **Mar. 9, 1993**

[30] Foreign Application Priority Data

Sep. 9, 1992 [JP] Japan 4-26656
[52] U.S. Cl. **D16/202; D16/200**
[58] Field of Search 348/373-376;
352/292, 293; 358/906, 909; 354/82, 288;
D16/200-205, 208

[56] References Cited

U.S. PATENT DOCUMENTS

D. 339,149 9/1993 Nakamura et al. D16/202
D. 340,732 10/1993 Sano et al. D16/202
D. 341,614 11/1993 Okamoto D16/202
4,829,384 5/1989 Iida et al. 348/373
4,887,161 12/1989 Watanabe et al. 358/906

OTHER PUBLICATIONS

Popular Photography, May, 1990, p. 56 (Olympus VC-102).

Primary Examiner—Melvin B. Feifer
Assistant Examiner—Adir Aronovich
Attorney, Agent, or Firm—Young & Thompson

[57] CLAIM

The ornamental design for a memory card camera, as shown and described.

DESCRIPTION

FIG. 1 is a front, side and top perspective view of a memory card camera showing my new design, with a lens cover having a built-in flash in a raised and open position;
FIG. 2 is a front elevational view thereof;
FIG. 3 is a rear elevational view thereof;
FIG. 4 is a top plan view thereof;
FIG. 5 is a bottom plan view thereof;
FIG. 6 is a side elevational view thereof from the left of FIG. 2;
FIG. 7 is a side elevational view thereof from the right of FIG. 2; and,
FIG. 8 is a view similar to FIG. 1 but with the lens cover lowered and closed.

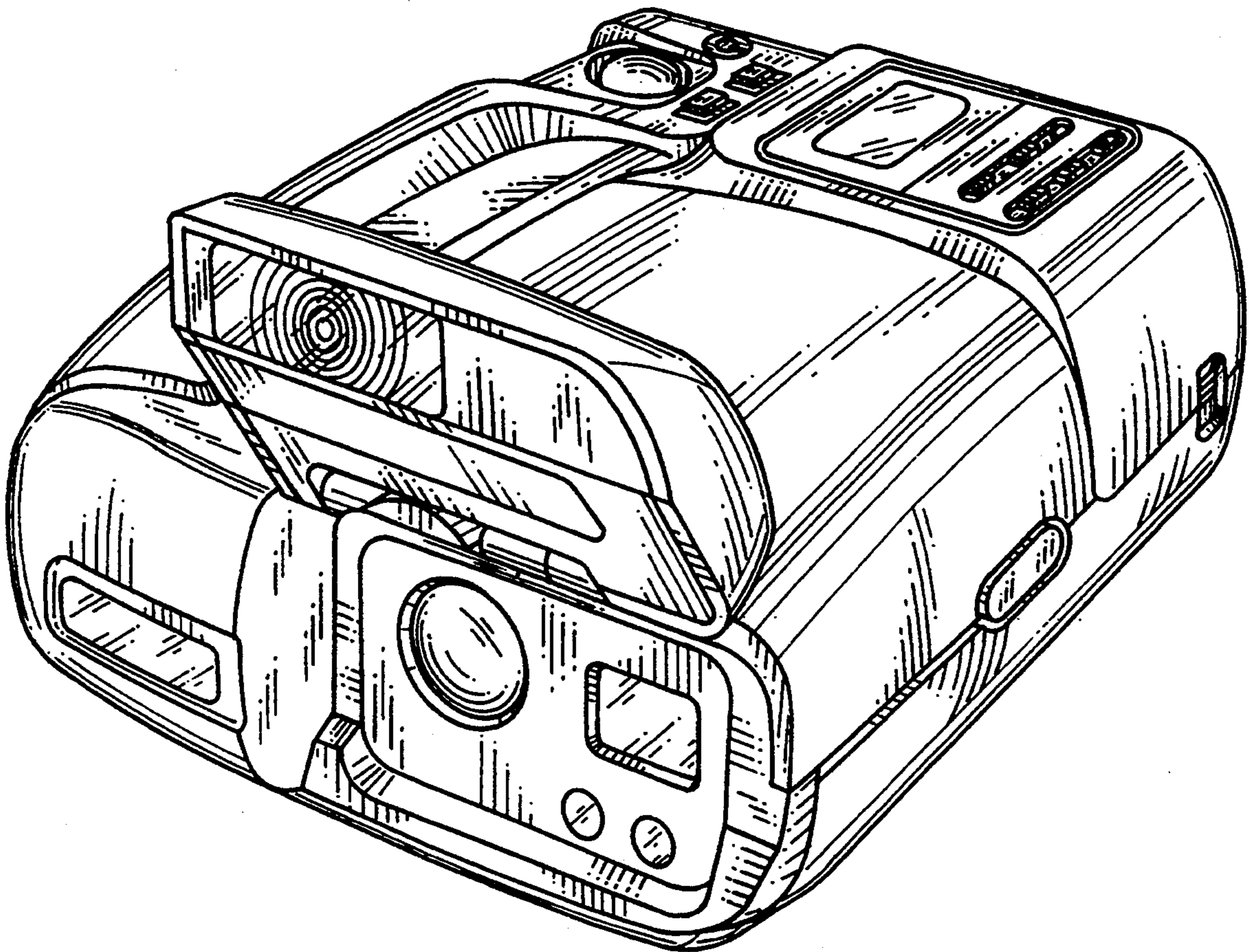


FIG. 1

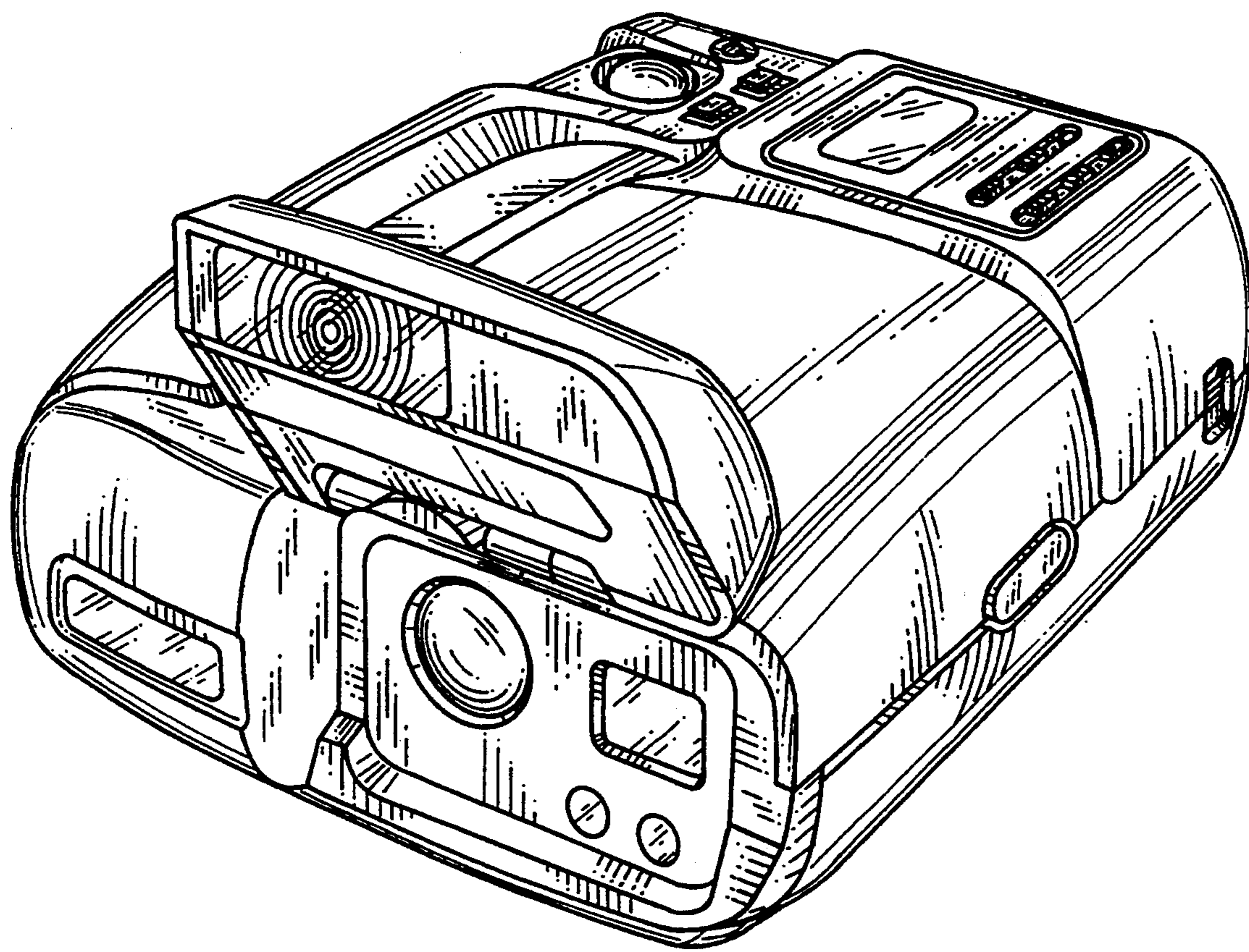


FIG. 2

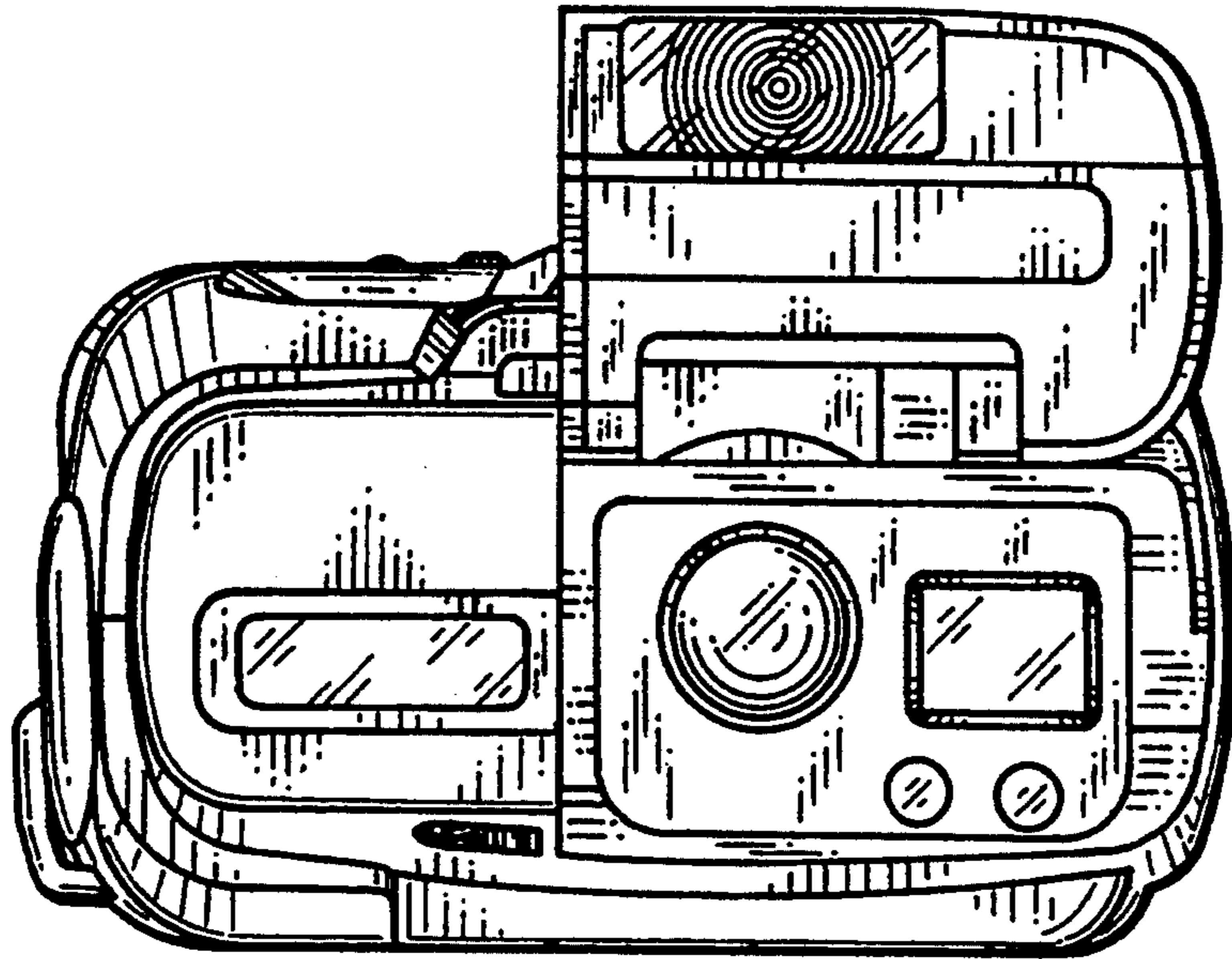


FIG. 3

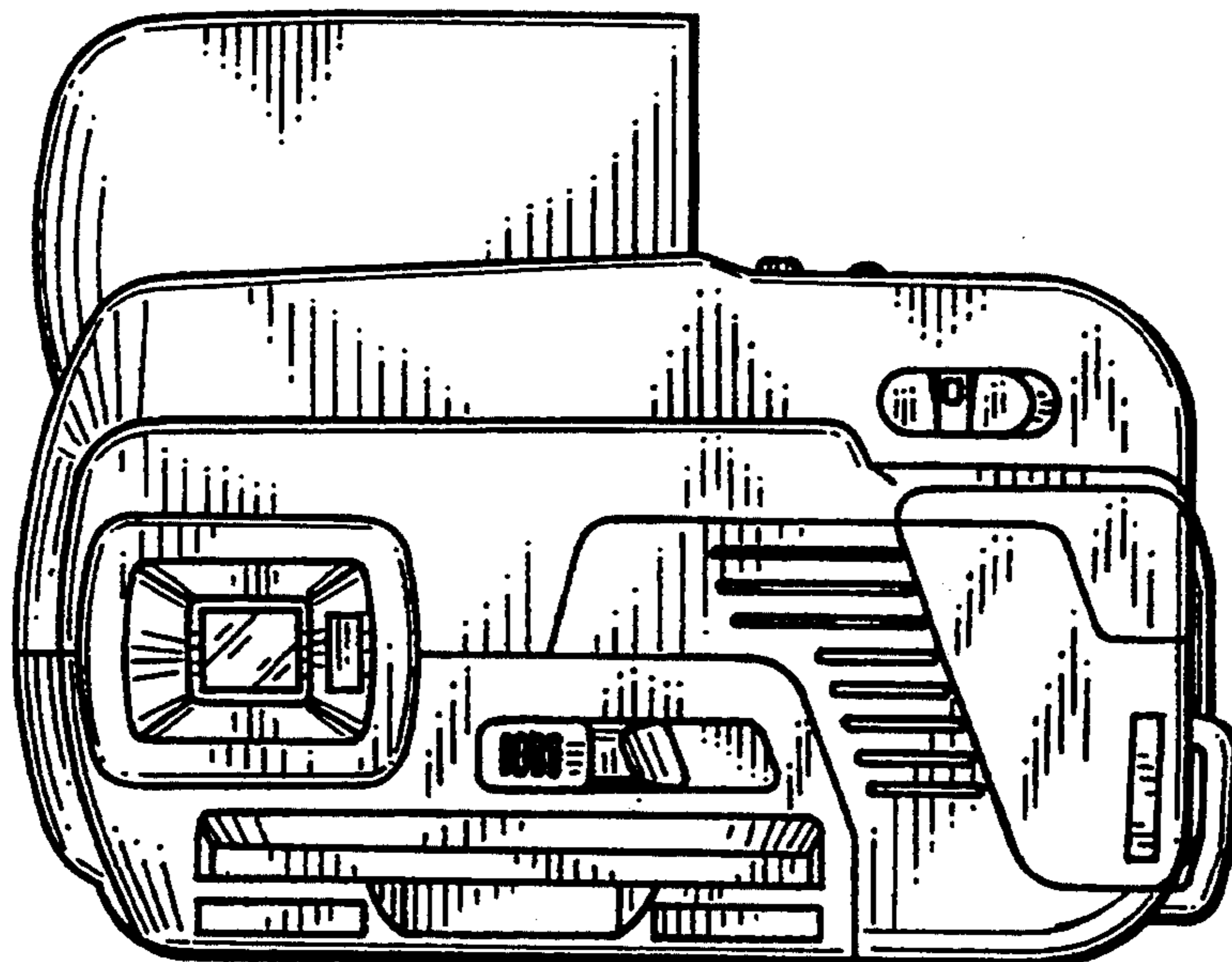


FIG. 4

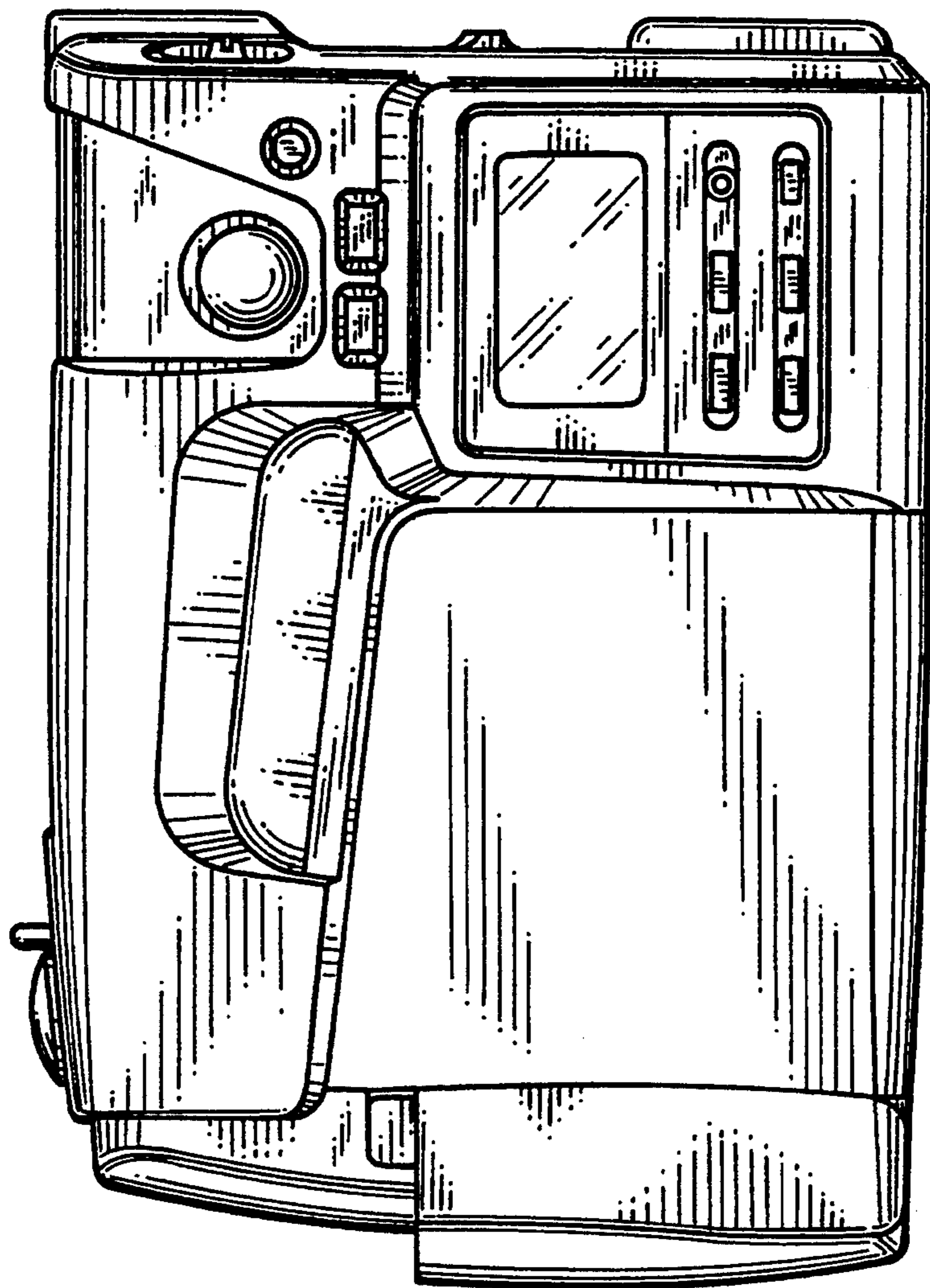


FIG. 5

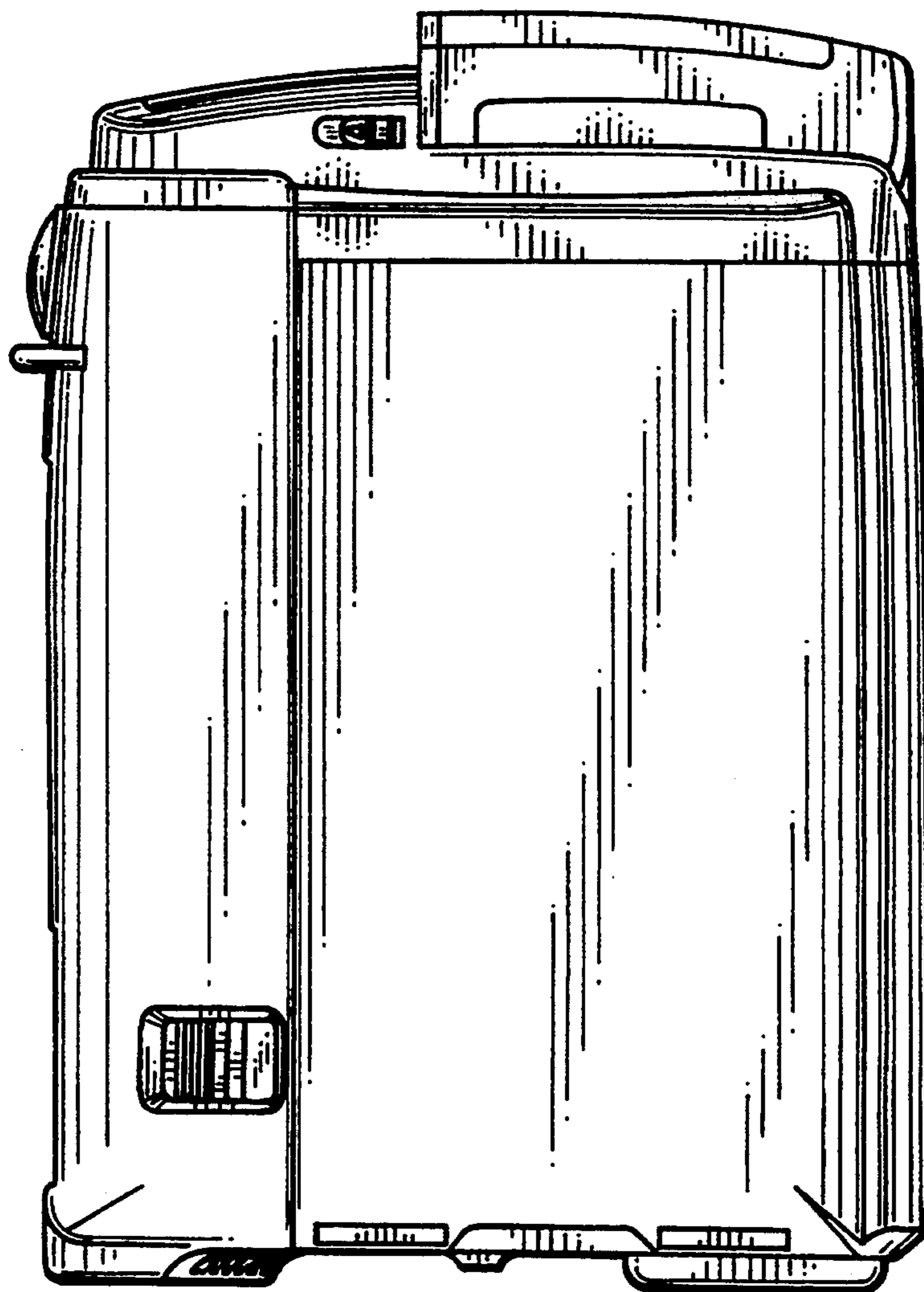


FIG. 6

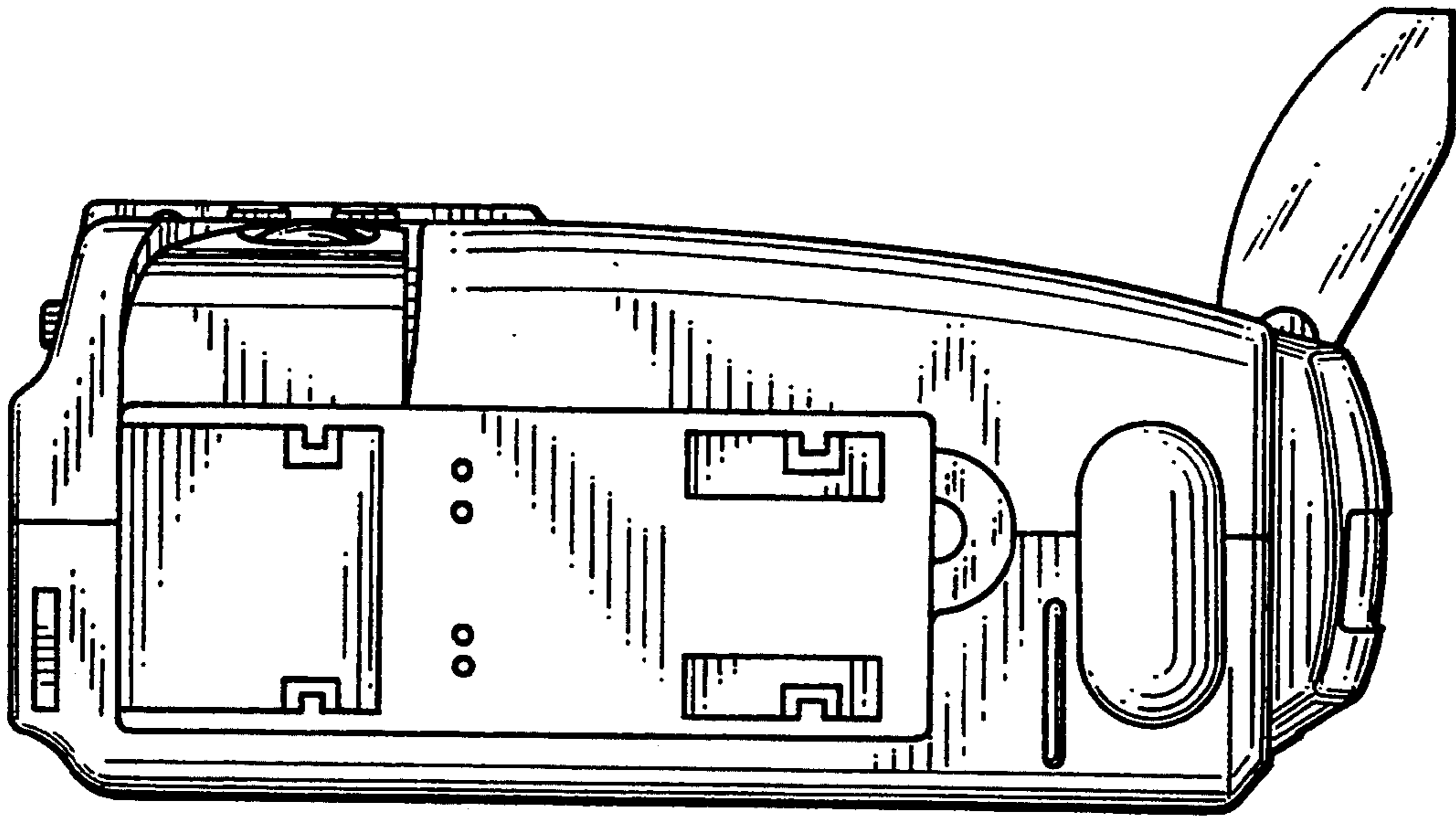


FIG. 7

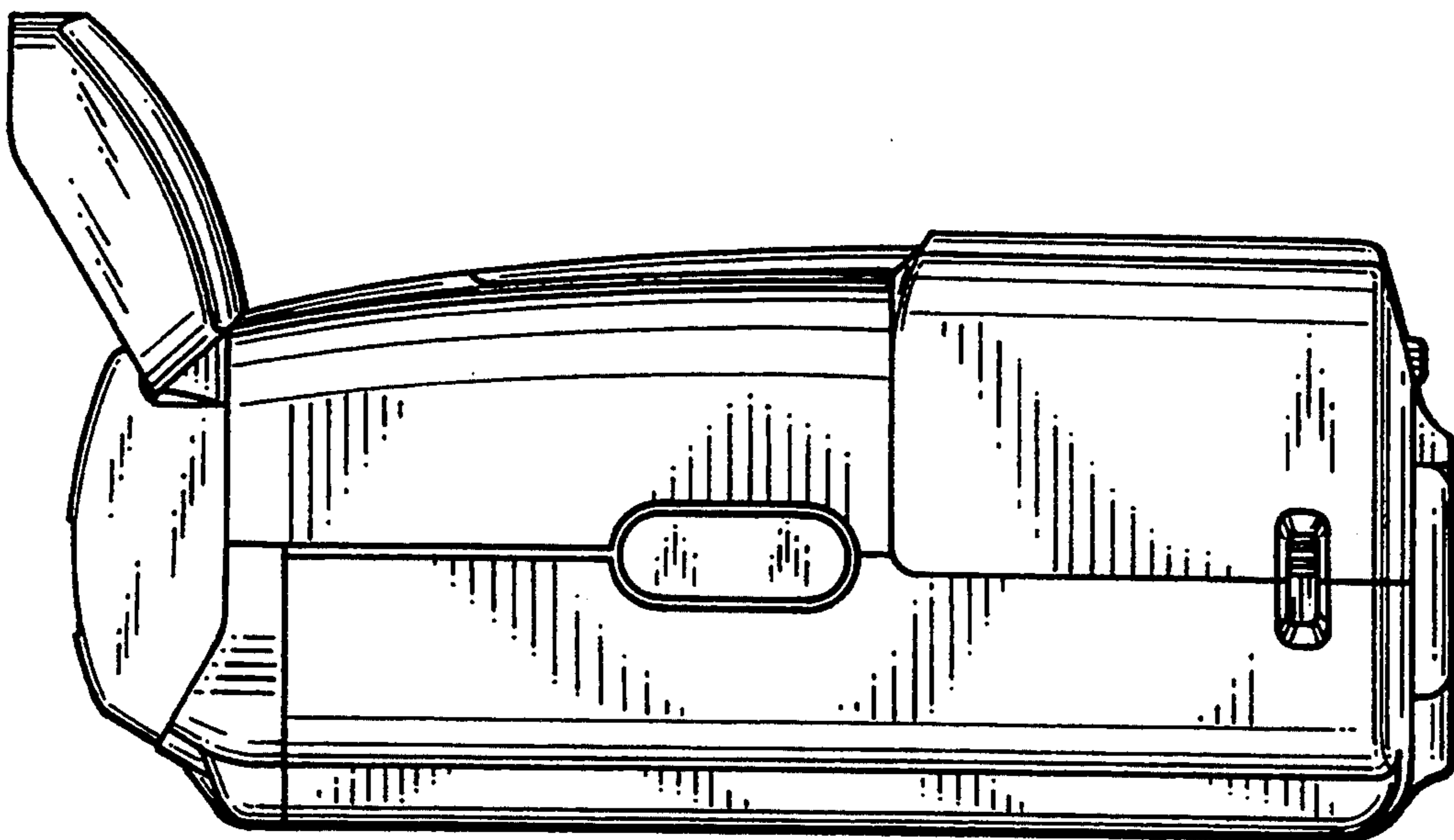


FIG. 8

