



US00D352948S

**United States Patent** [19]  
**Chang**

[11] **Patent Number: Des. 352,948**

[45] **Date of Patent: \*\* Nov. 29, 1994**

- [54] **ELECTRIC SAW**
- [75] **Inventor: Chiu-Tsun Chang, Taichung, Taiwan, Prov. of China**
- [73] **Assignee: P & F Brother Industrial Corporation, Taichung, Taiwan, Prov. of China**
- [\*\*] **Term: 14 Years**
- [21] **Appl. No.: 11,572**
- [22] **Filed: Aug. 9, 1993**
- [52] **U.S. Cl. .... D15/133**
- [58] **Field of Search ..... 83/471.1, 471.2, 471.3, 83/471.4, 477, 581; D15/133**

- D. 324,055 2/1992 Sasaki et al. .... D15/133
- D. 326,668 6/1992 Archart et al. .... D15/133
- D. 334,756 4/1993 Sakamoto et al. .... D15/133
- 5,046,390 9/1991 Sasaki ..... D15/133 X

*Primary Examiner*—Alan P. Douglas  
*Assistant Examiner*—Antoine D. Davis  
*Attorney, Agent, or Firm*—Curtis, Morris & Safford

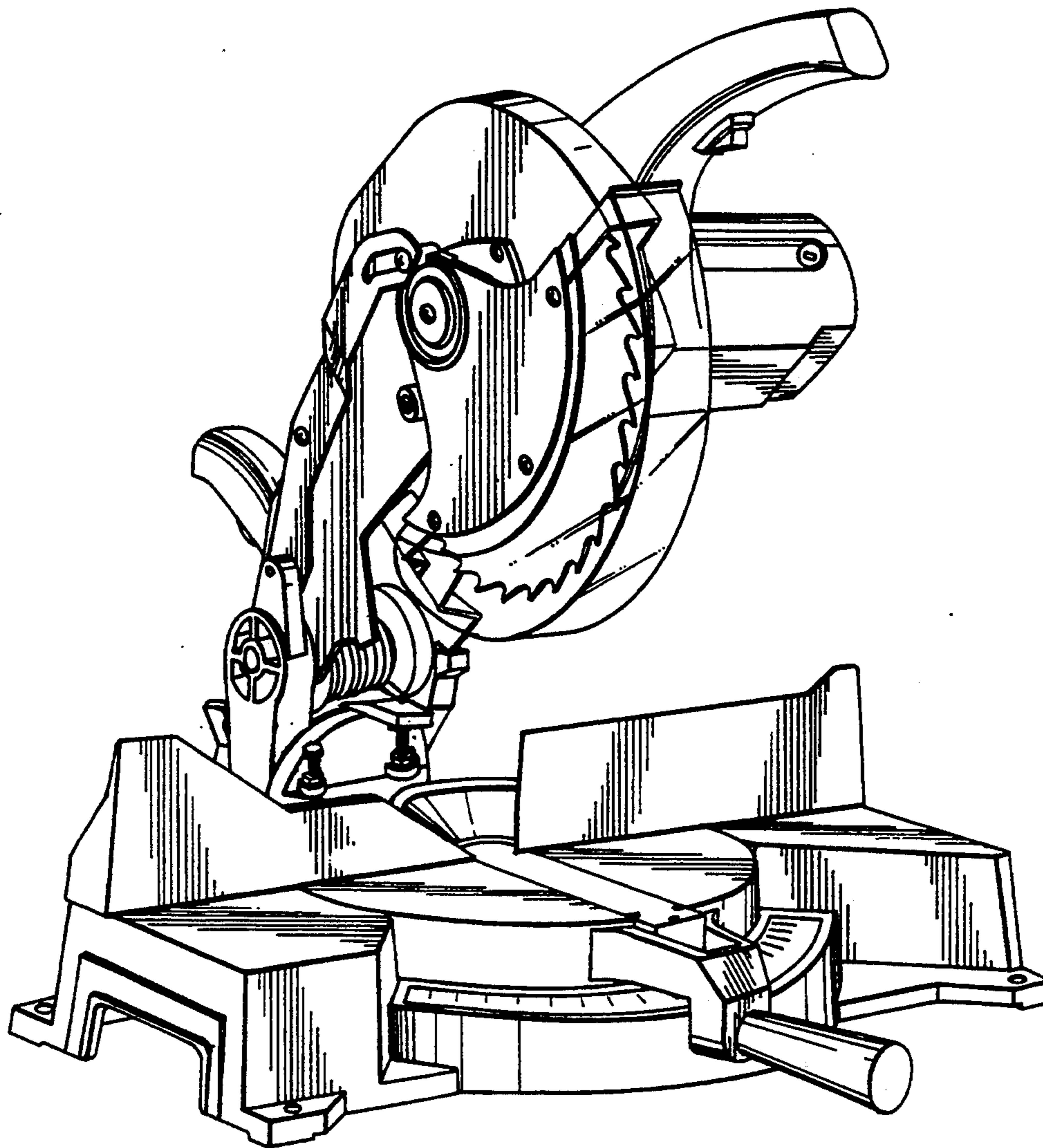
[57] **CLAIM**

The ornamental design for electric saw, as shown and described.

**DESCRIPTION**

FIG. 1 is a perspective view of electric saw showing my new design;  
 FIG. 2 is a front elevational view thereof;  
 FIG. 3 is a rear elevational view thereof;  
 FIG. 4 is a left side elevational view thereof;  
 FIG. 5 is a right side elevational view thereof; and,  
 FIG. 6 is a top plan view thereof.

- [56] **References Cited**  
**U.S. PATENT DOCUMENTS**  
 D. 287,694 1/1987 Miyamoto ..... D15/133



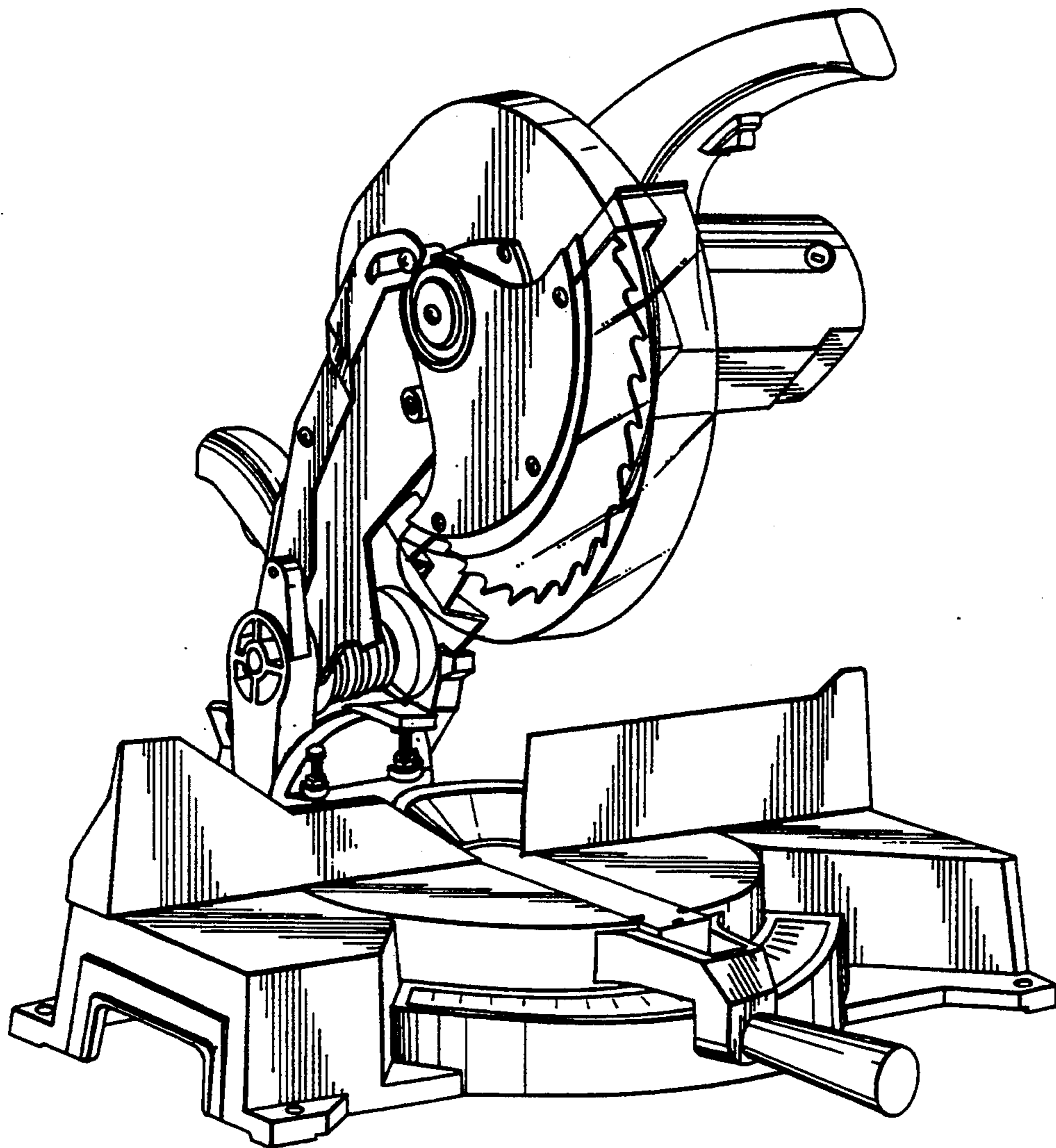


FIG. 1

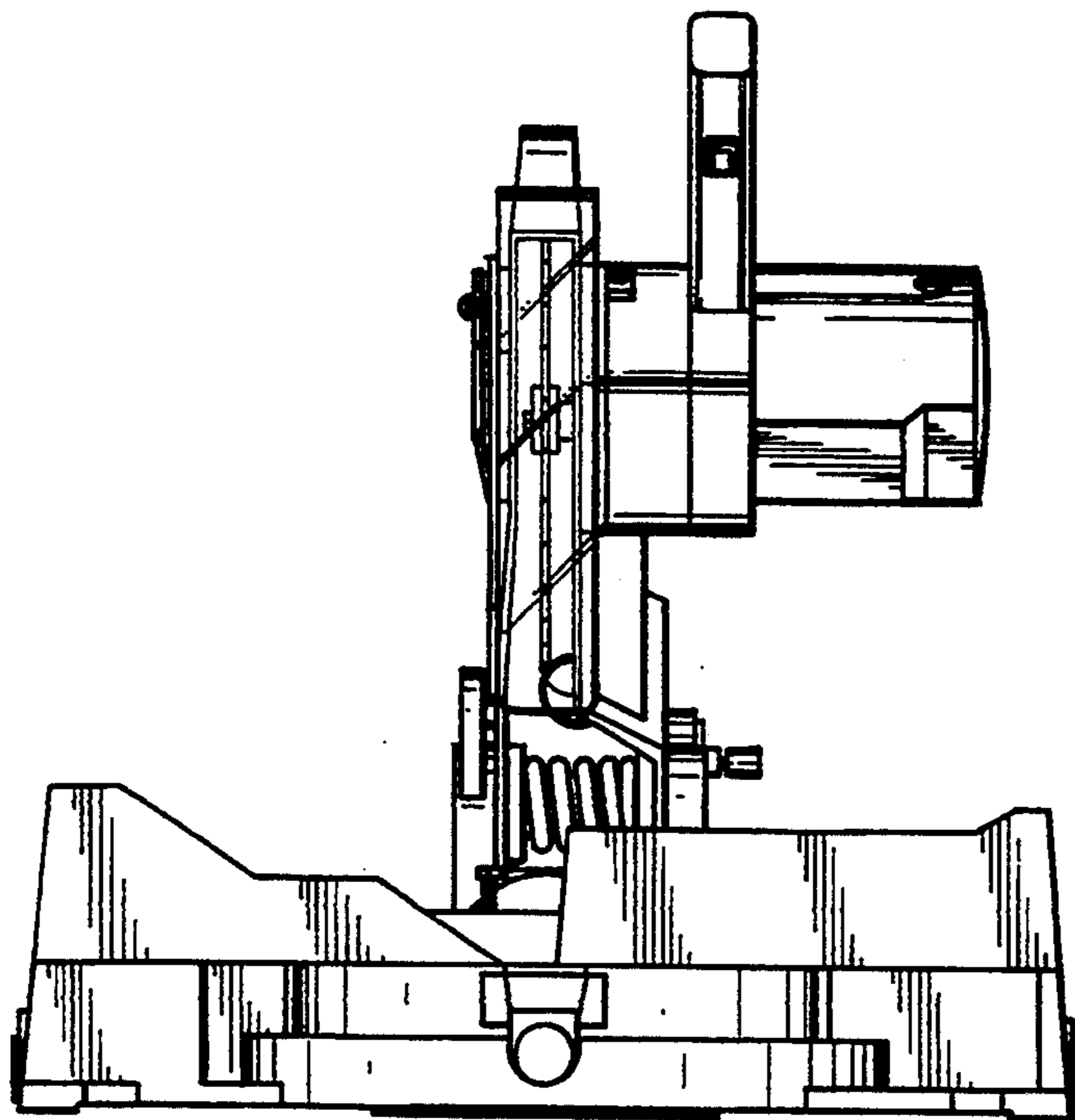


FIG. 2

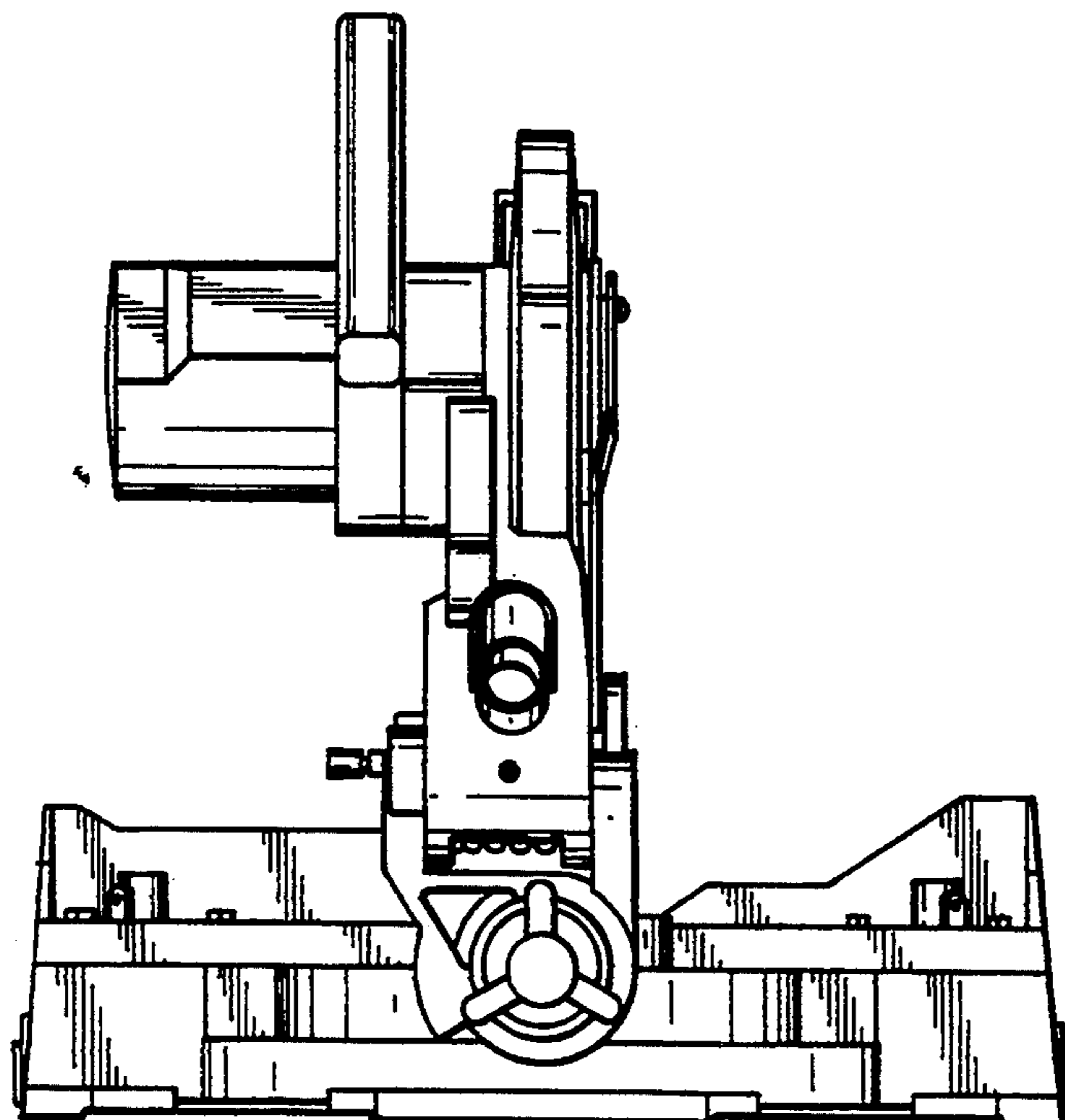


FIG. 3

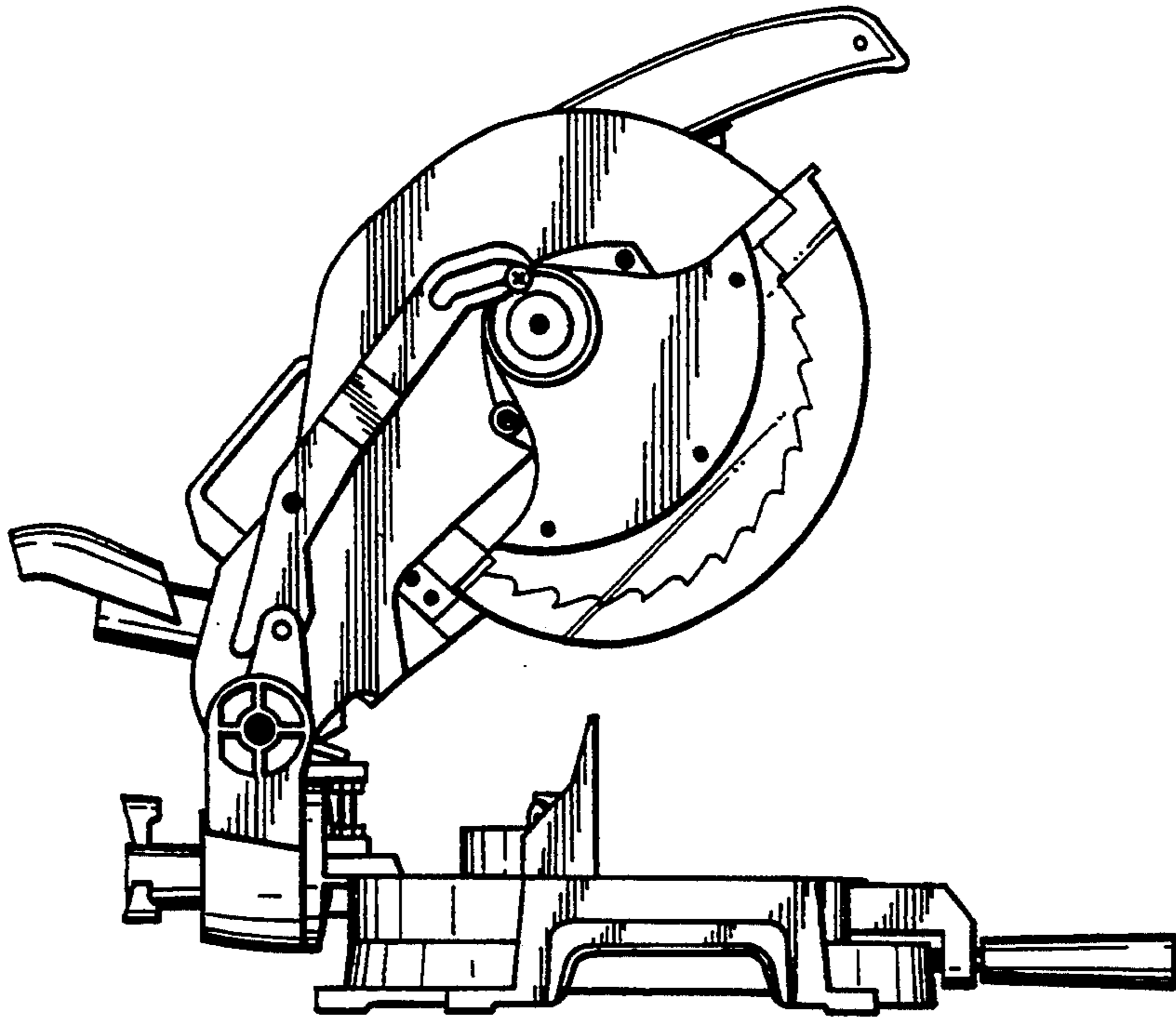


FIG. 4

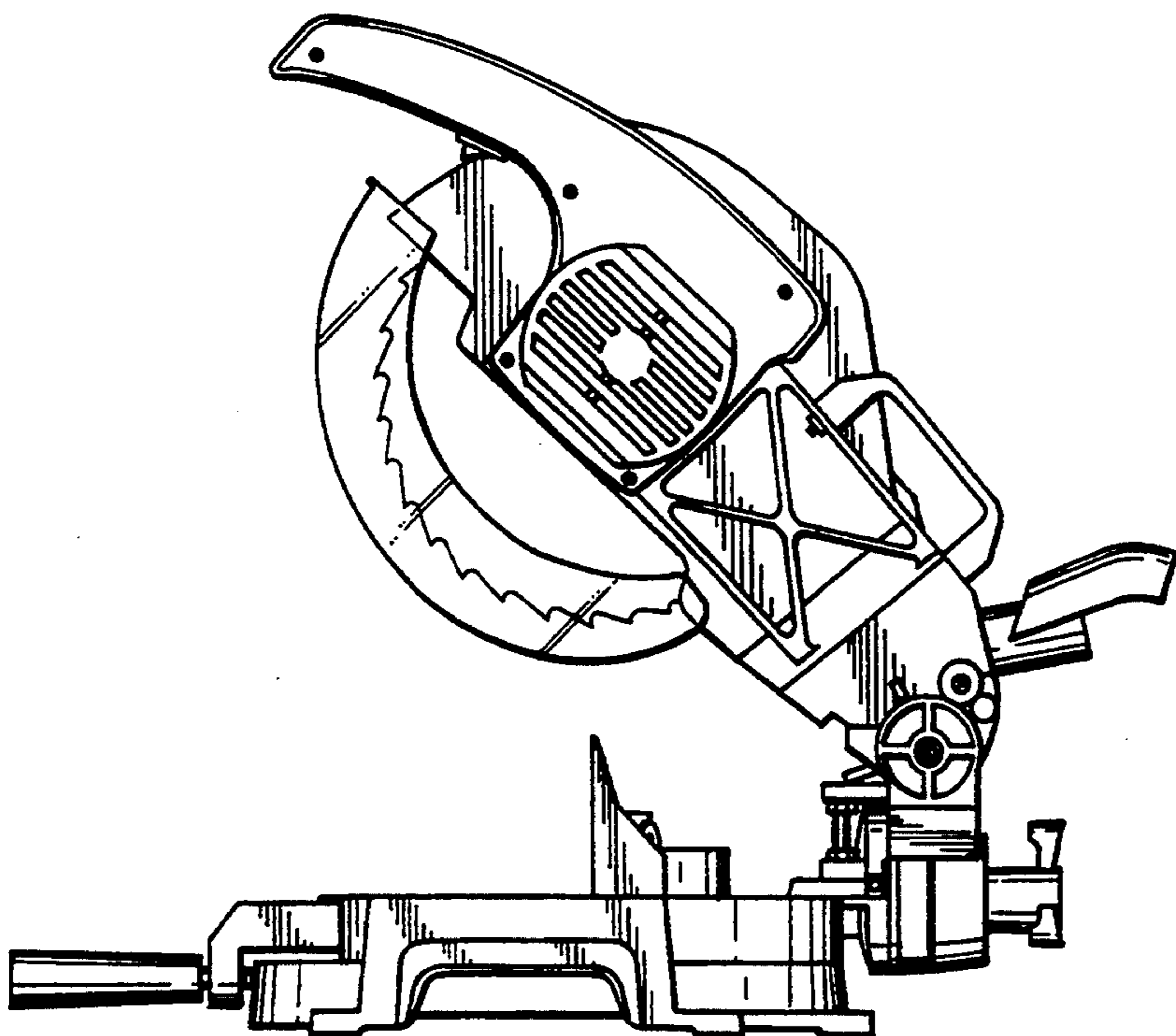


FIG. 5

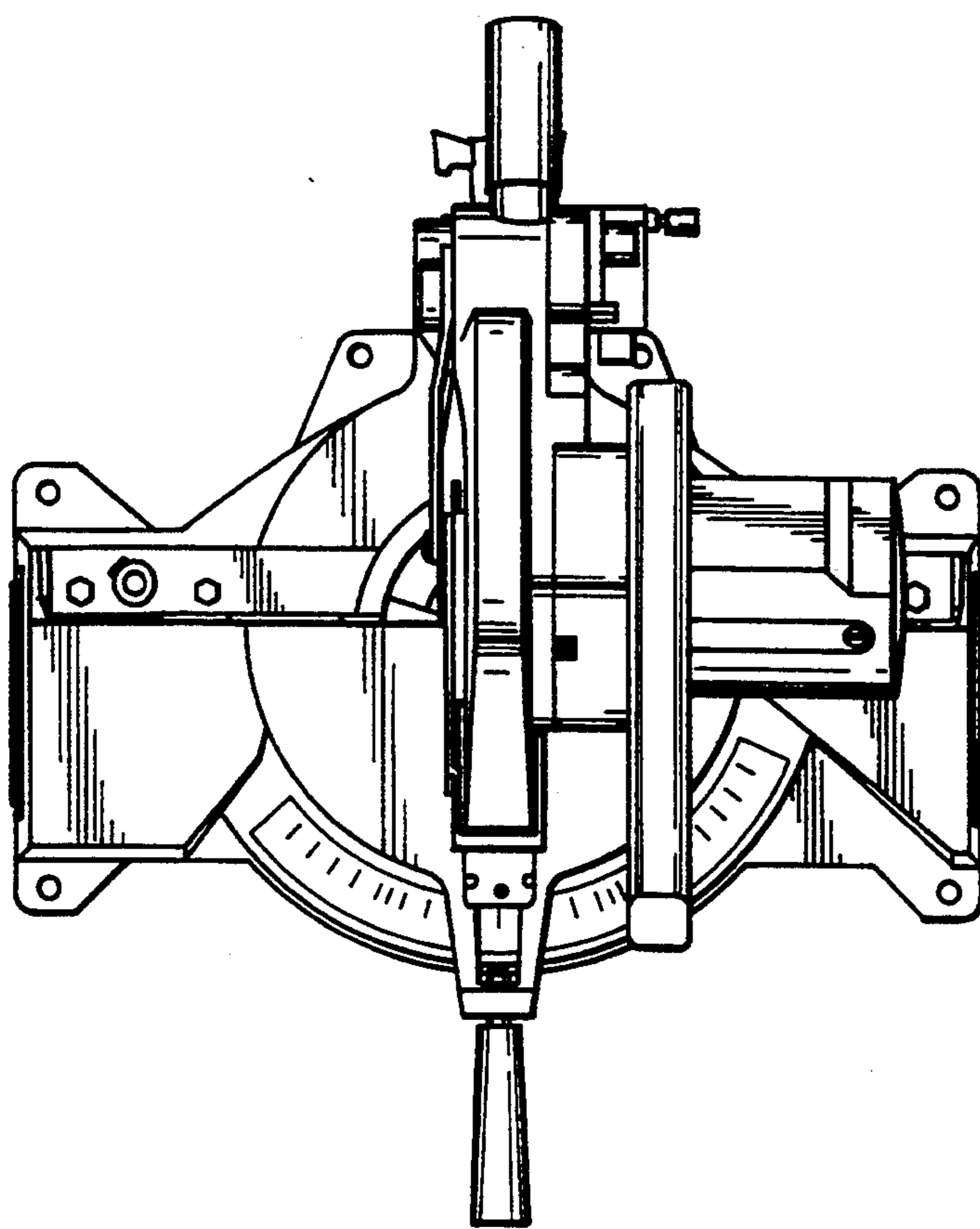


FIG. 6