



US00D352947S

United States Patent [19]

[11] Patent Number: **Des. 352,947**

Colin et al.

[45] Date of Patent: **** Nov. 29, 1994**

- [54] **PORTABLE PUMP HOUSING**
- [75] Inventors: **George M. Colin**, Dana Point; **Robert Anderson**, Costa Mesa, both of Calif.
- [73] Assignee: **Jason Development, Inc.**, Grand Cayman, Cayman Islands
- [**] Term: **14 Years**
- [21] Appl. No.: **10,512**
- [22] Filed: **Jul. 8, 1993**
- [52] U.S. Cl. **D15/7**
- [58] Field of Search 417/360, 68, 69; D15/7-9.2

- D. 315,911 4/1991 Campbell D15/7
- D. 327,481 6/1992 Stephenson D15/7
- D. 328,465 8/1992 Schwarz et al. D15/7
- 4,275,995 6/1981 Taylor 417/360

Primary Examiner—Ralf T. Seifert
Attorney, Agent, or Firm—Roth & Goldman

[57] CLAIM

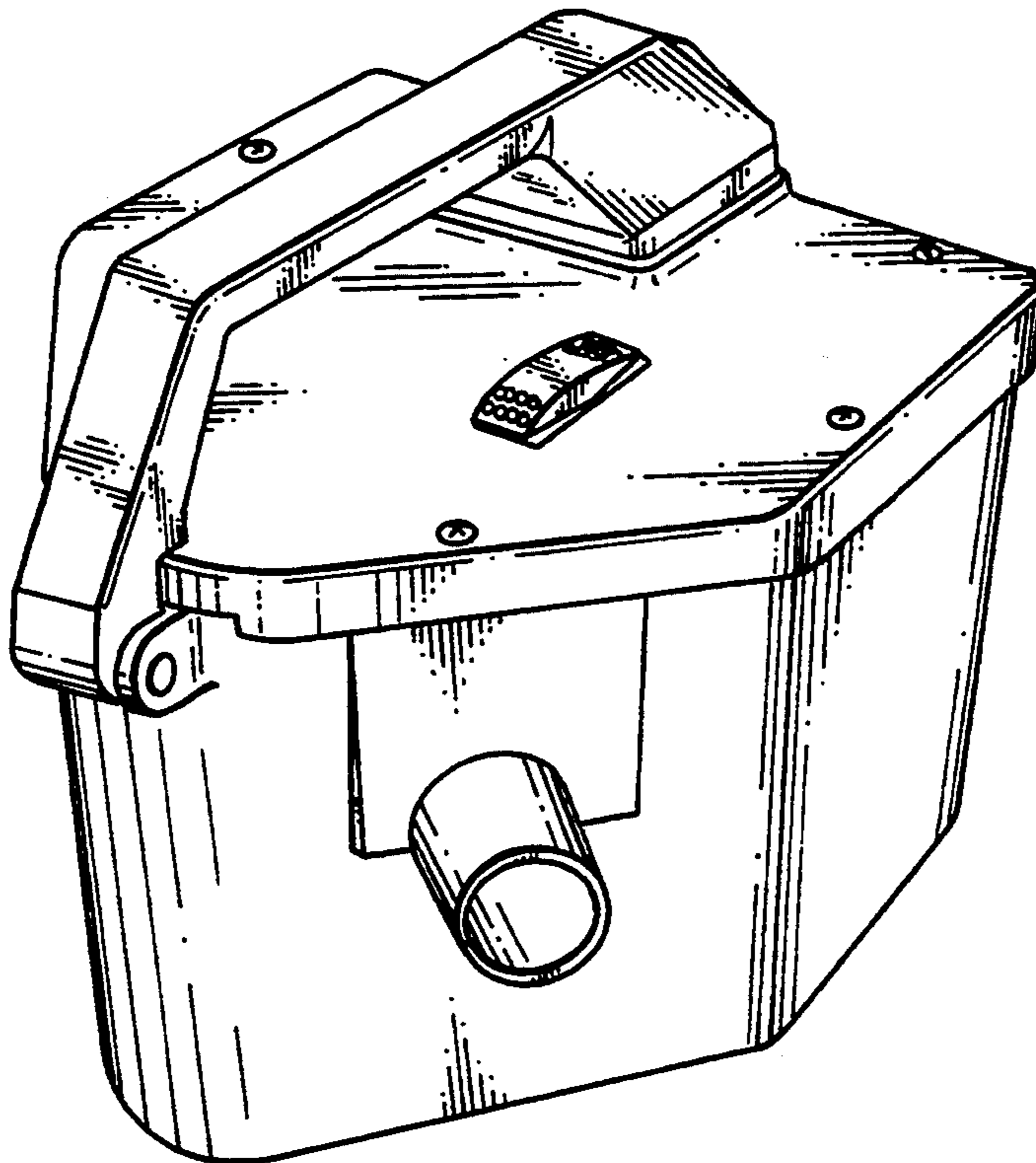
The ornamental design for a portable pump housing, as shown.

DESCRIPTION

FIG. 1 is a perspective view of a portable pump housing, showing my new design;
 FIG. 2 is a top plan view thereof;
 FIG. 3 is a front elevational view thereof;
 FIG. 4 is a right side elevational view thereof;
 FIG. 5 is a left side elevational view thereof;
 FIG. 6 is a bottom view thereof; and,
 FIG. 7 is a rear elevational view thereof.

[56] **References Cited**
U.S. PATENT DOCUMENTS

- D. 227,307 6/1973 Wells D15/7
- D. 249,264 9/1978 Bingler D15/7
- D. 303,533 9/1989 Eberhardt et al. D15/7



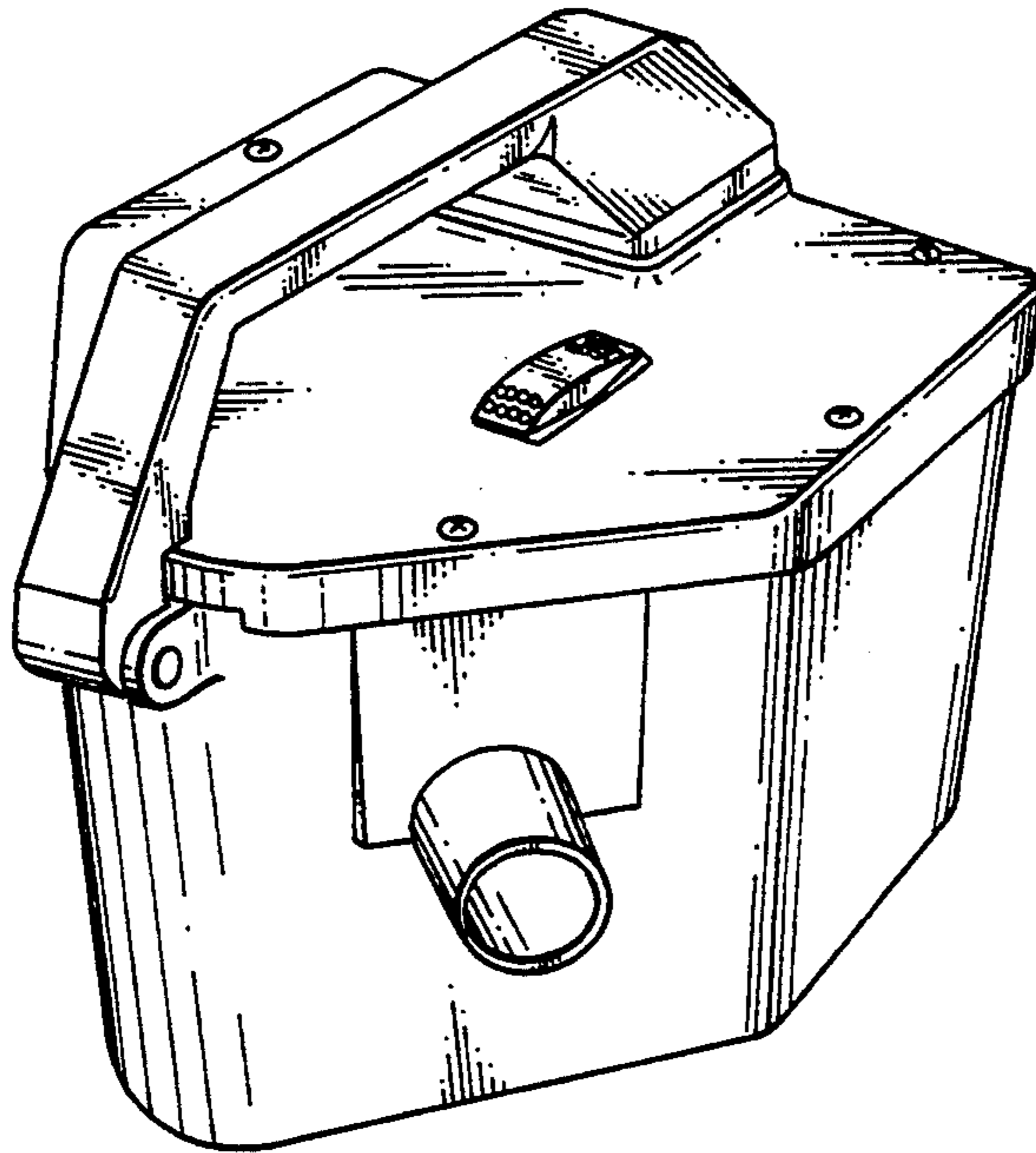


FIG. 1

FIG. 2

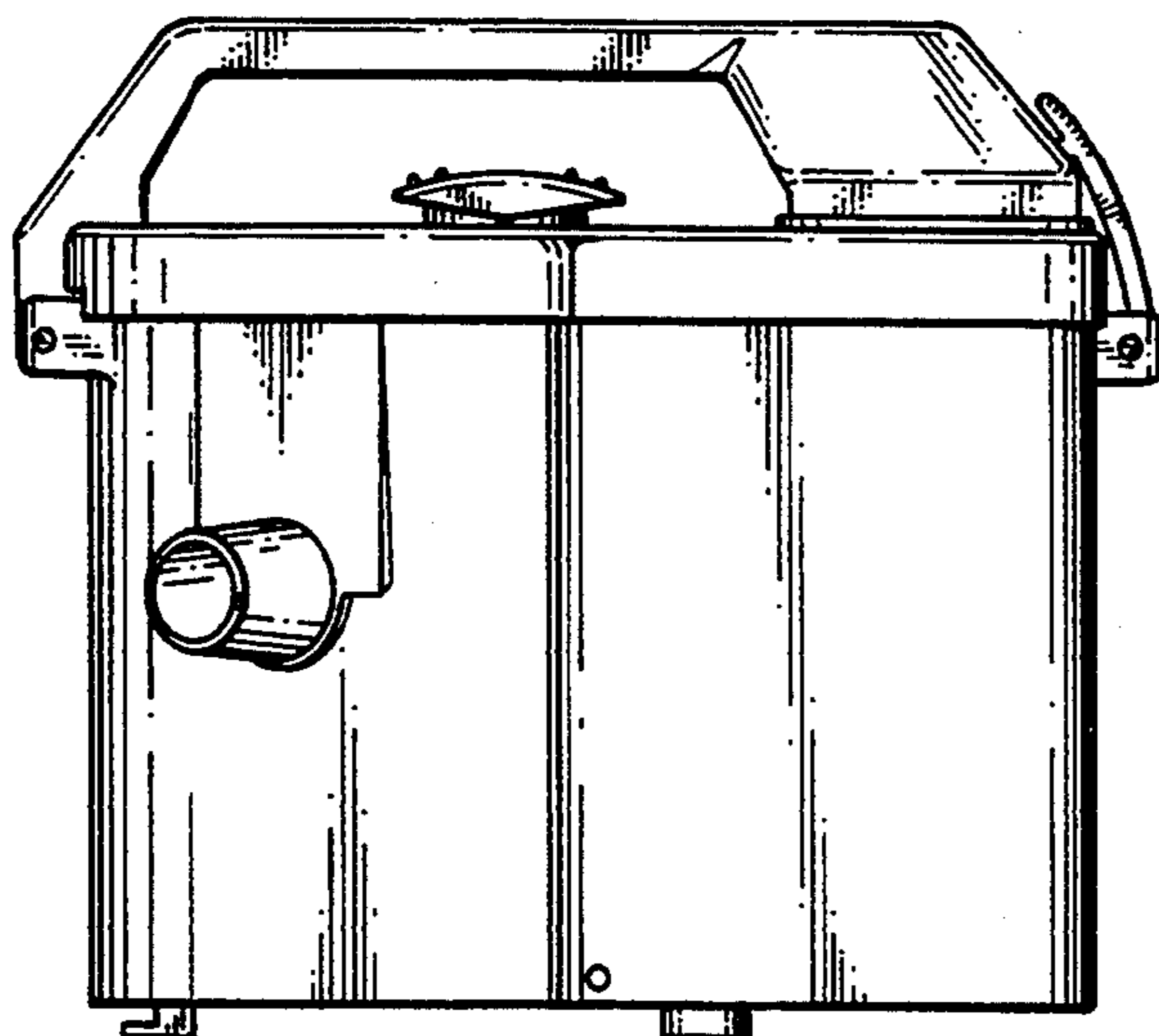
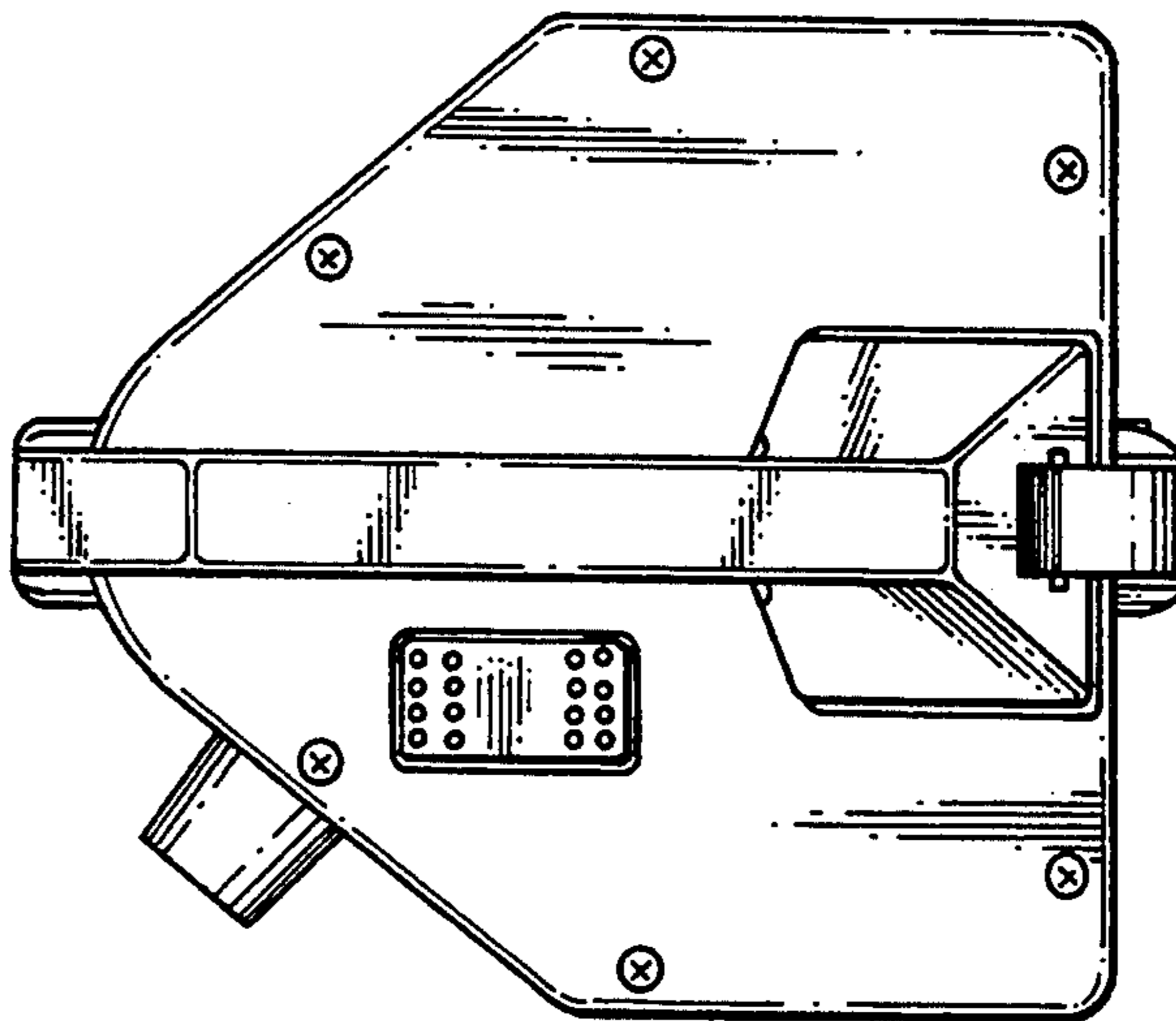


FIG. 5

FIG. 4

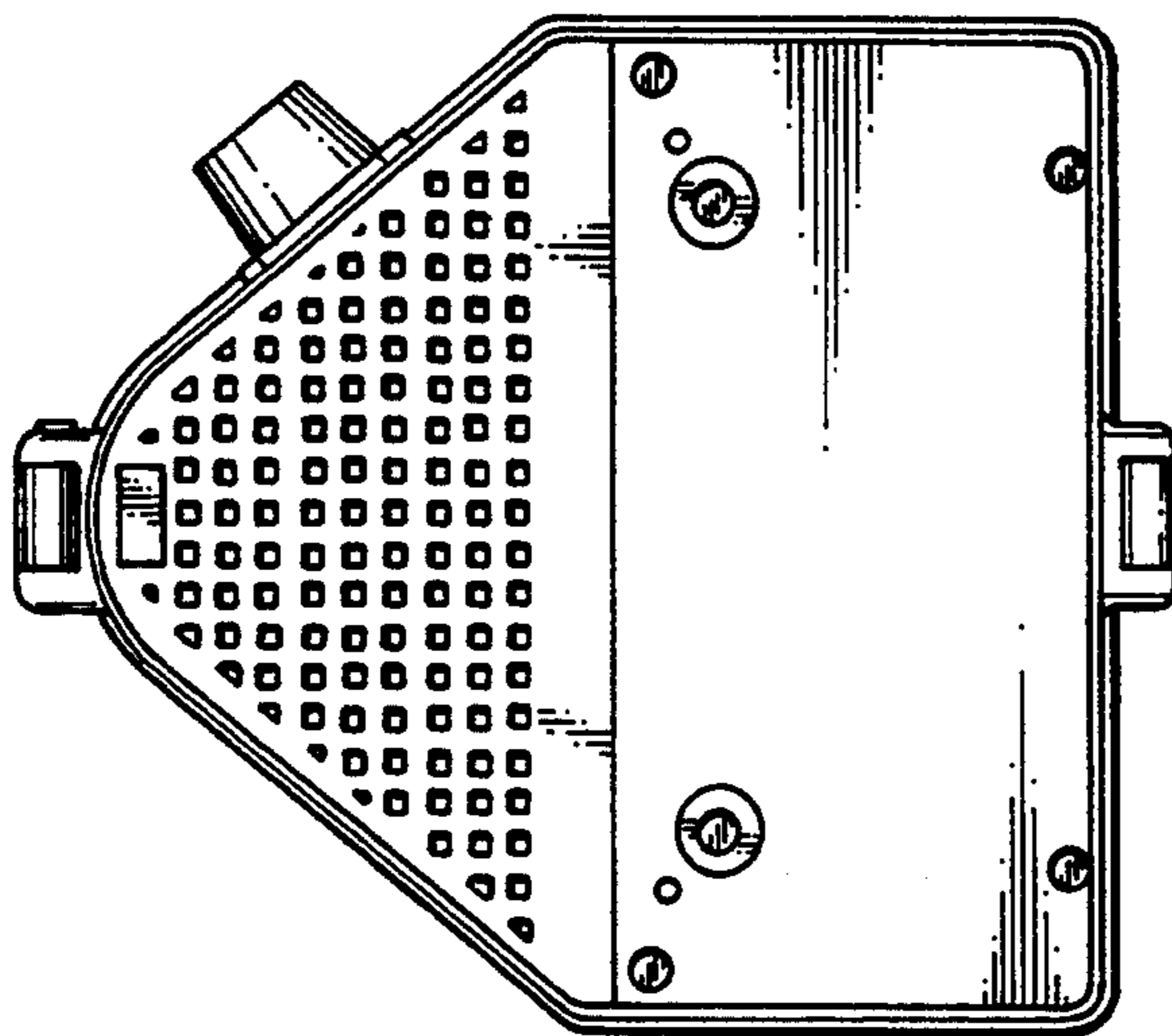
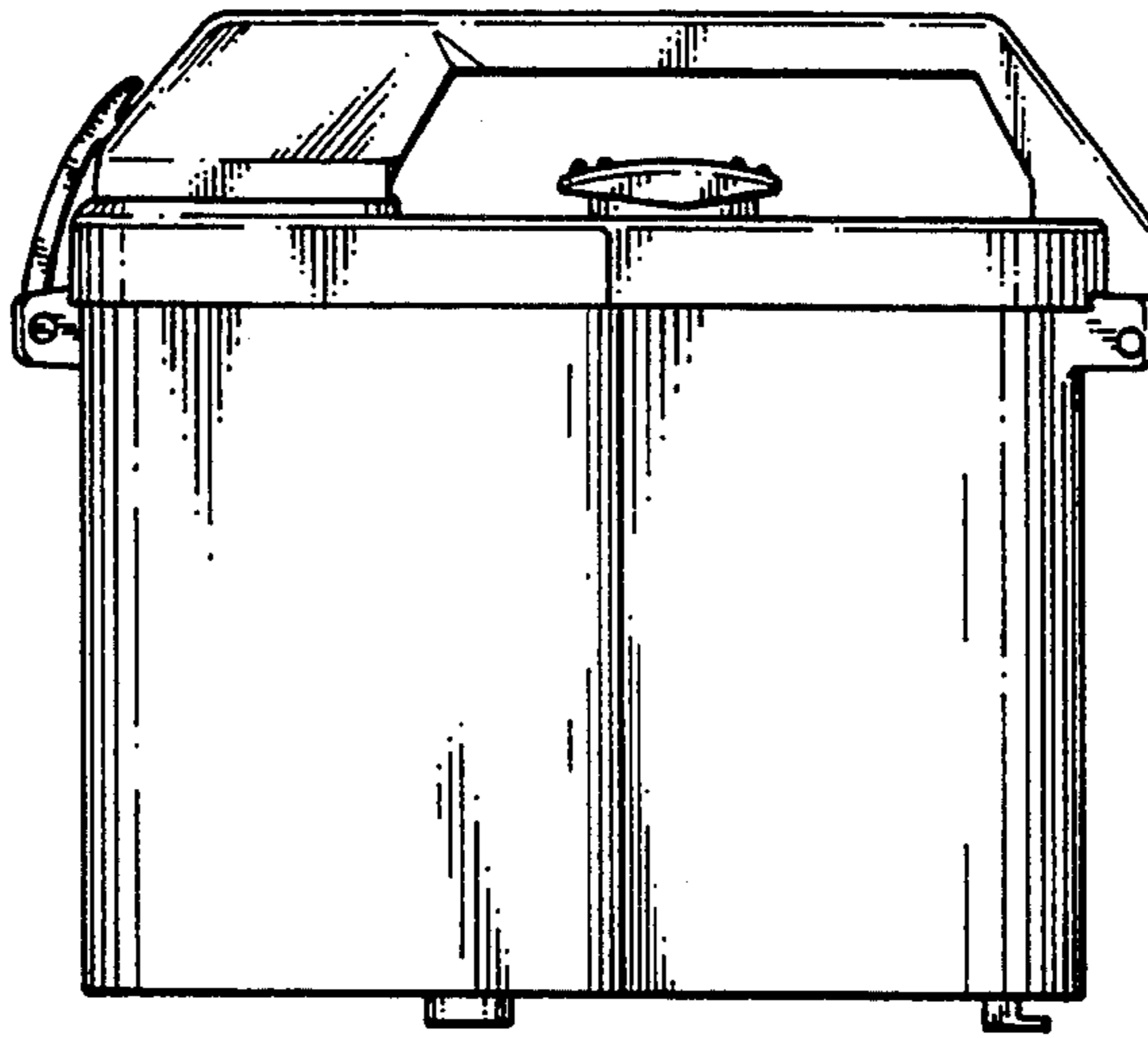


FIG. 6

FIG. 3

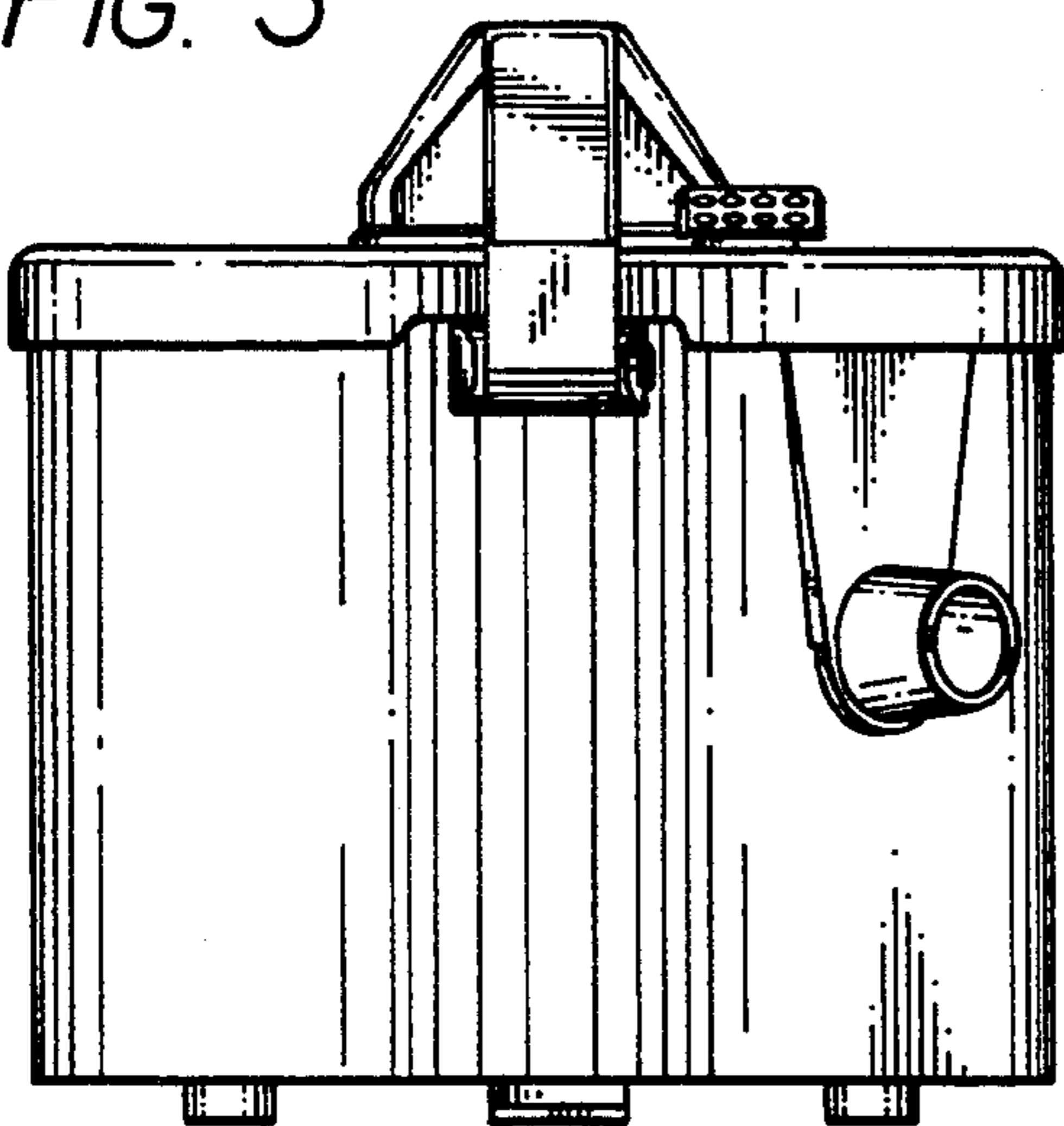


FIG. 7

