



US00D352944S

United States Patent [19]

[11] Patent Number: **Des. 352,944**

Lee

[45] Date of Patent: **** Nov. 29, 1994**

[54] **TELEPHONE SET**

[75] Inventor: **Chi O. Lee, Hong Kong, Hong Kong**

[73] Assignee: **Team Concepts International Limited, Hong Kong, Hong Kong**

[**] Term: **14 Years**

[21] Appl. No.: **15,309**

[22] Filed: **Nov. 15, 1993**

[30] **Foreign Application Priority Data**

Aug. 19, 1993 [GB] United Kingdom 2033238

[52] U.S. Cl. **D14/151**

[58] Field of Search 379/419, 420, 428, 440, 379/433-436; D14/149-151, 142, 143, 140, 240, 241, 147; D13/108

[56] **References Cited**

U.S. PATENT DOCUMENTS

D. 292,798 11/1987 Wu D14/150

D. 300,628 4/1989 Wu D14/151

D. 322,436 12/1991 Myoga D14/151 X

D. 322,785 12/1991 Wu D14/150

D. 328,071 7/1992 Wu D14/142 X

D. 339,564 9/1993 Nagele et al. D13/108

D. 346,383 4/1994 Mehle-Hohnjec et al. D14/150

5,128,986 7/1992 Washio et al. D14/147 X

Primary Examiner—Alan P. Douglas

Assistant Examiner—Jeffrey Asch

Attorney, Agent, or Firm—Oliff & Berridge

[57] **CLAIM**

The ornamental design for telephone set, as shown and described.

DESCRIPTION

FIG. 1 is a top plan view of a telephone set showing my new design;

FIG. 2 is a bottom plan view;

FIG. 3 is a rear elevational view;

FIG. 4 is a front elevational view with the antenna in an alternate position;

FIG. 5 is a left side elevational view;

FIG. 6 is a right side elevational view; and,

FIG. 7 is a perspective view thereof.

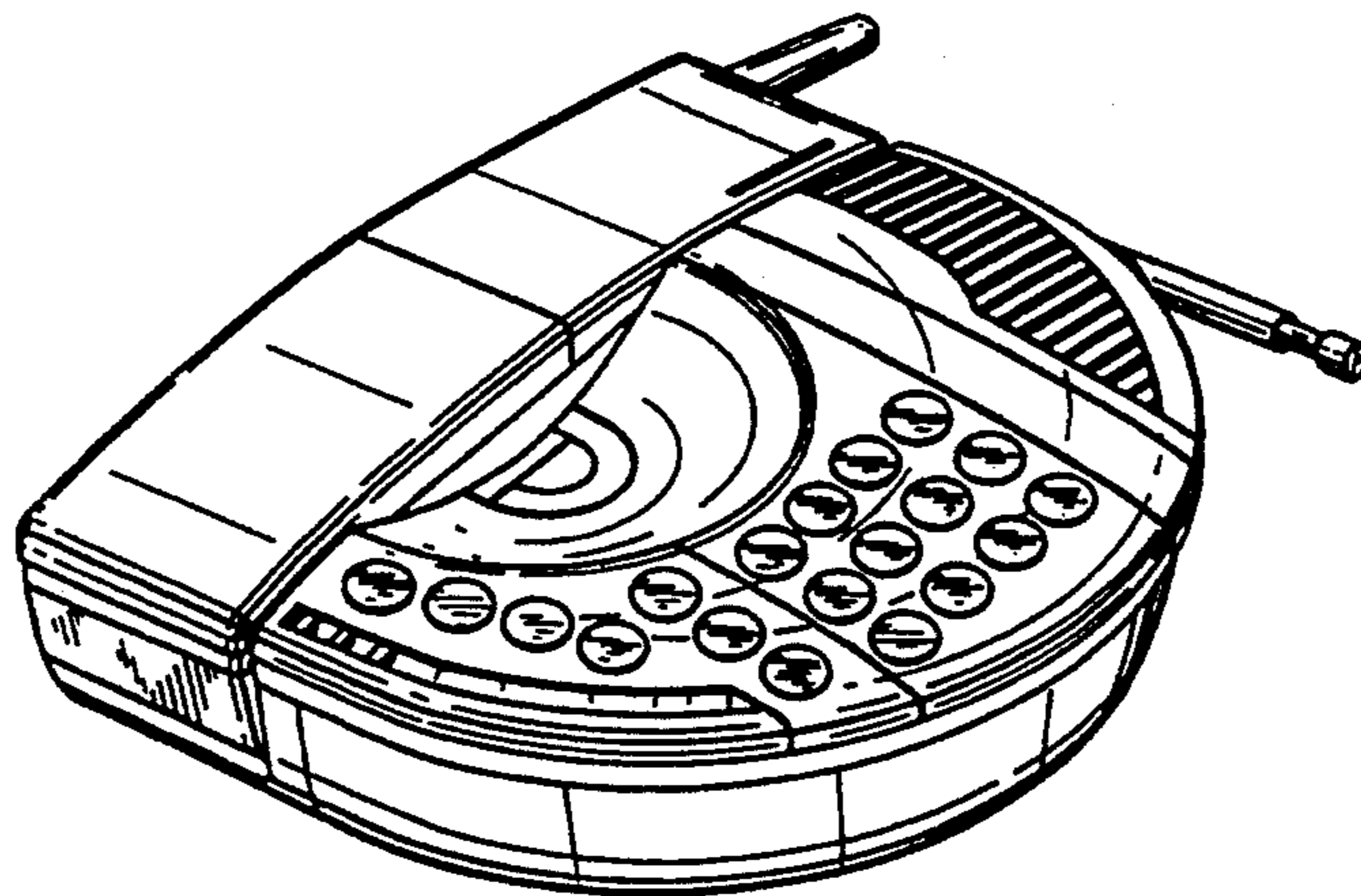


FIG. 1

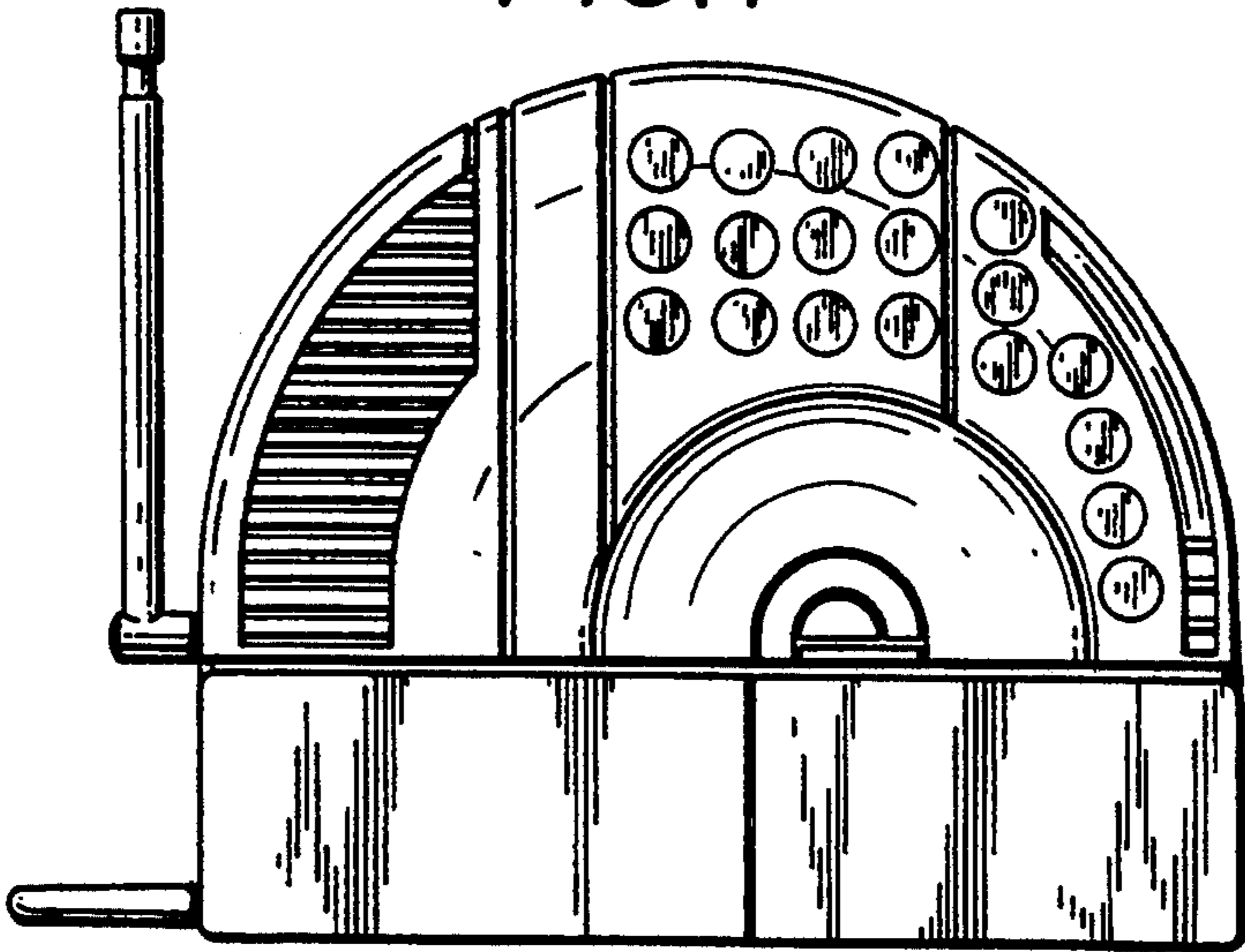


FIG. 2

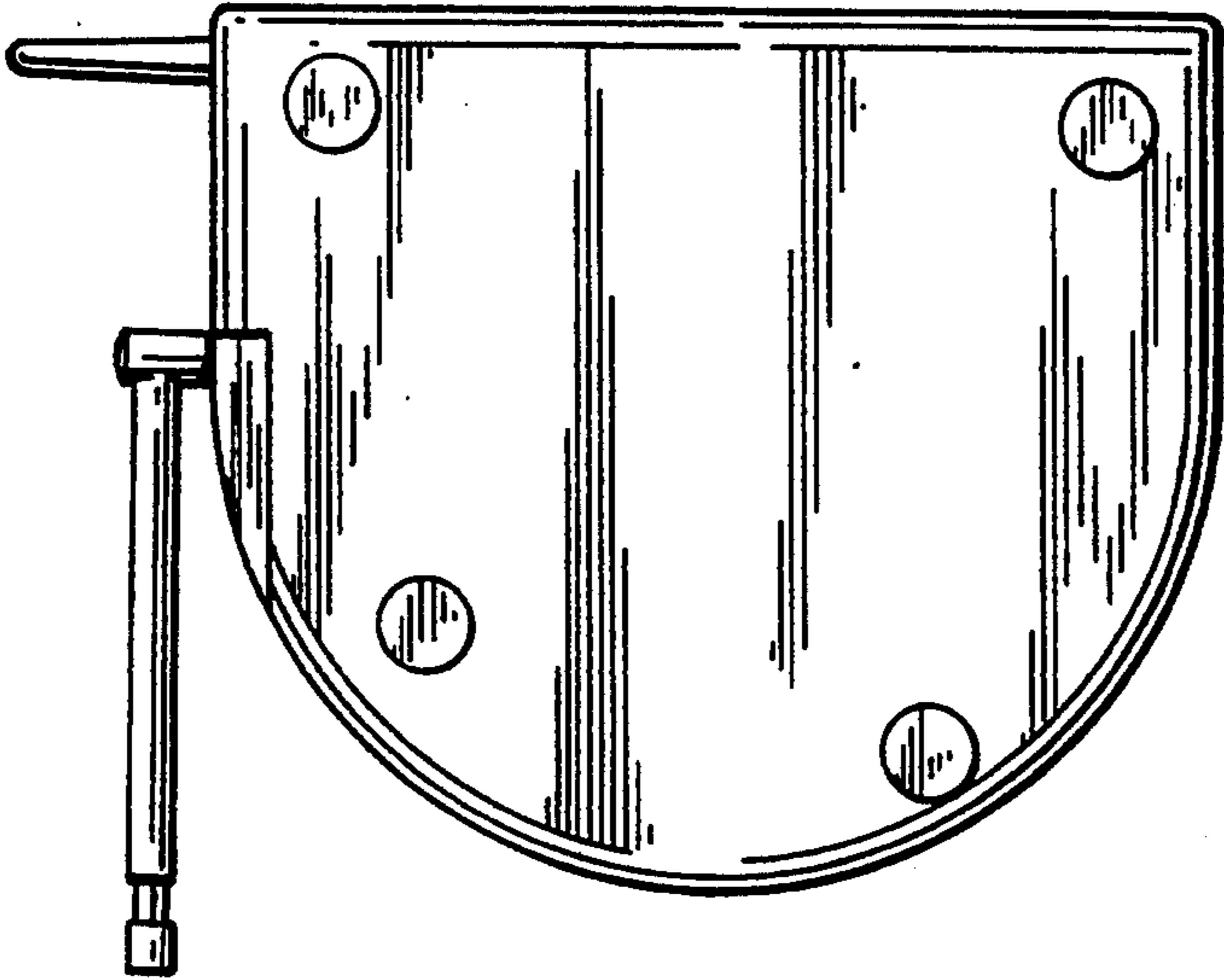


FIG. 3

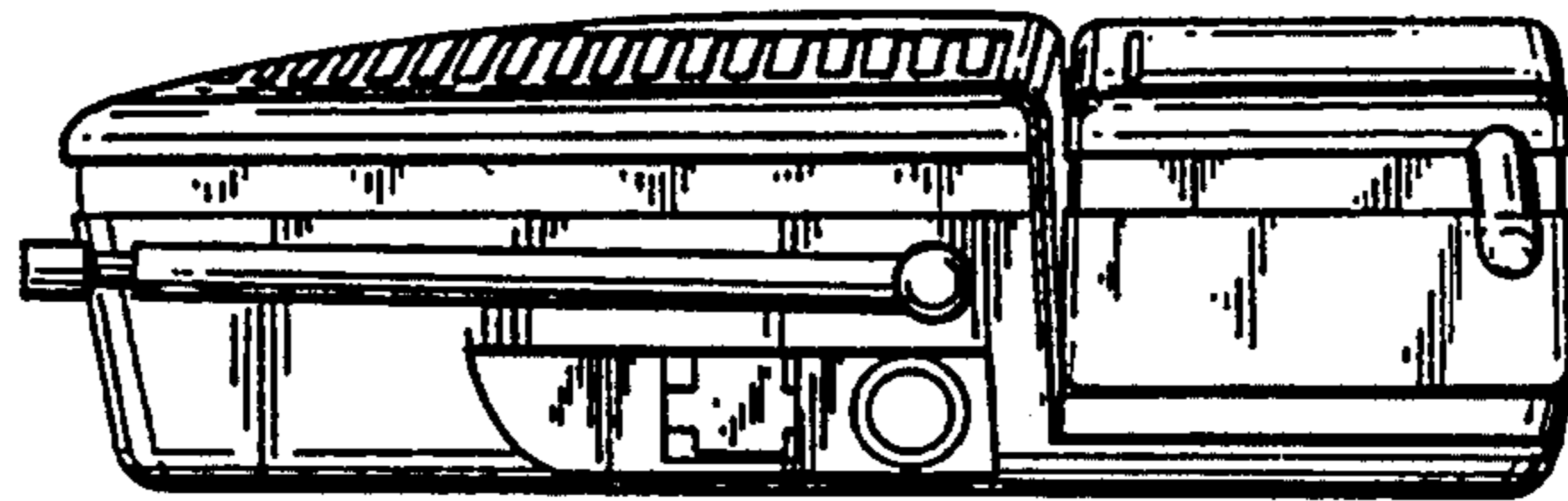


FIG. 4

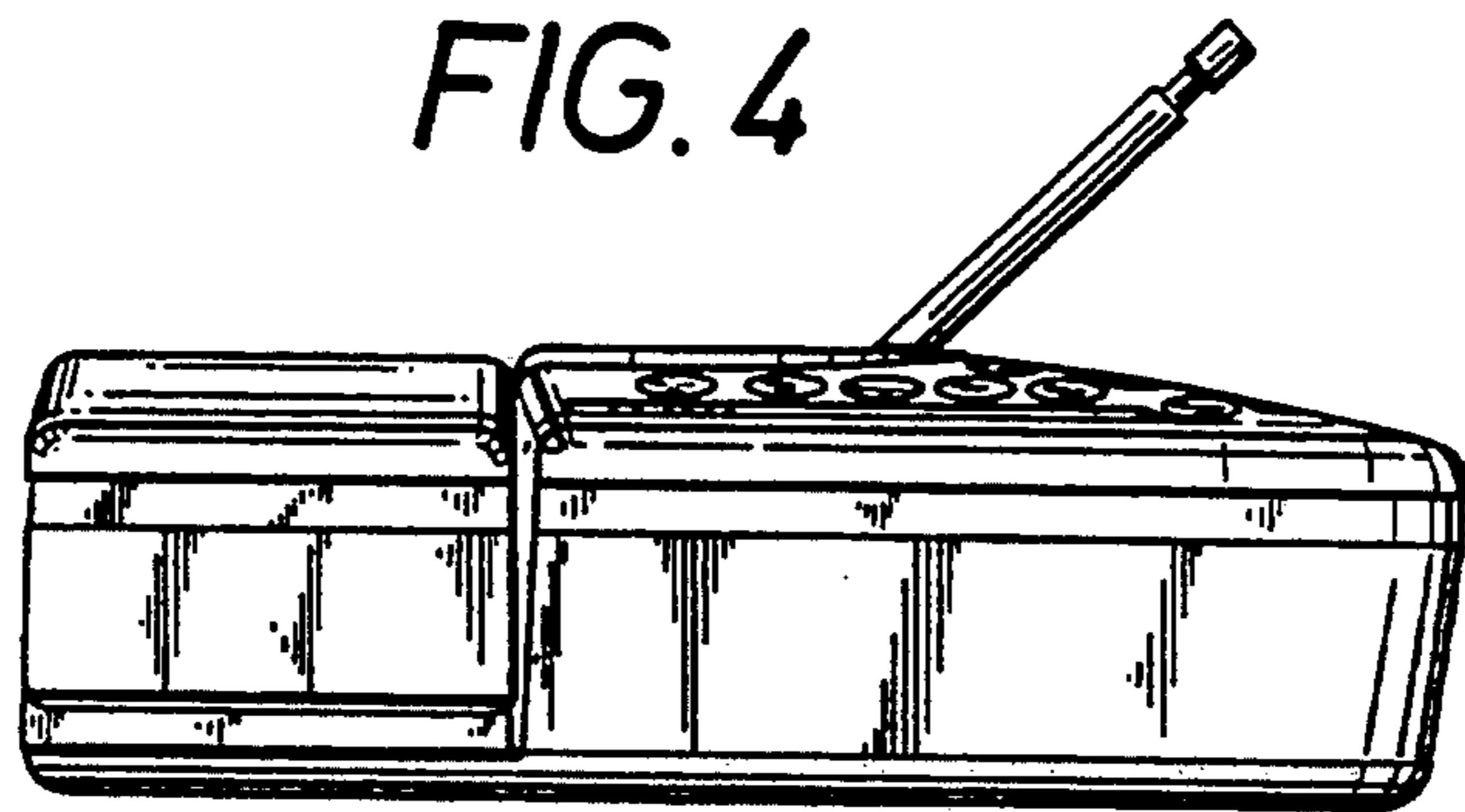


FIG. 5



FIG. 6

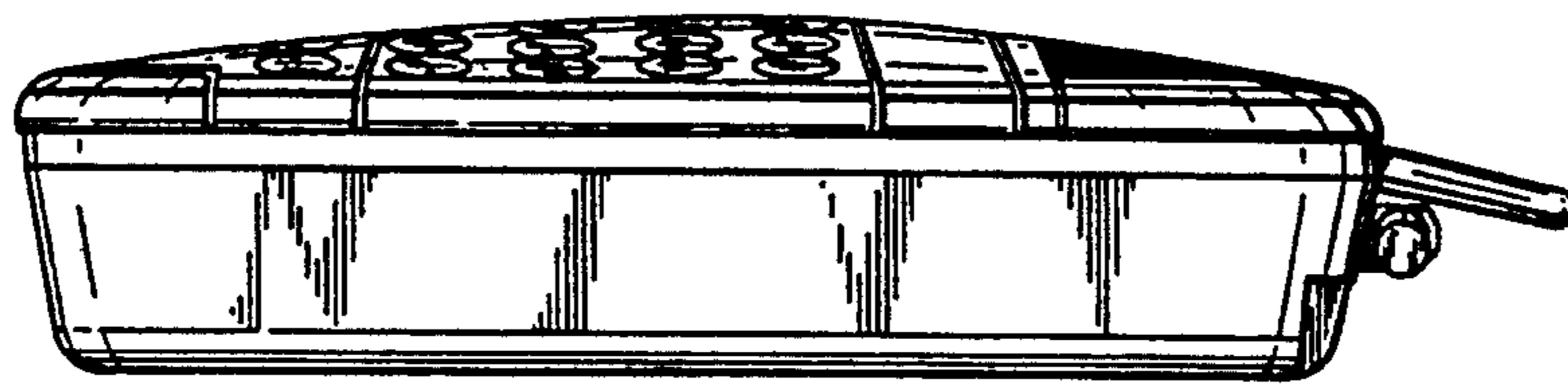


FIG. 7

