



US00D352941S

United States Patent [19]
Bolton, Jr.

[11] **Patent Number: Des. 352,941**
[45] **Date of Patent: ** Nov. 29, 1994**

[54] **CELLULAR BASE UNIT**
[75] **Inventor: Albert M. Bolton, Jr., Fort Worth, Tex.**
[73] **Assignee: Motorola, Inc., Schaumburg, Ill.**
[**] **Term: 14 Years**
[21] **Appl. No.: 15,655**
[22] **Filed: Nov. 23, 1993**
[52] **U.S. Cl. D14/142; D13/184**
[58] **Field of Search 379/428, 440, 419, 441, 379/442; 174/67, 50, 52.1; D14/137, 138, 140, 142, 149, 240, 250, 100, 107; D13/184, 152**

D. 330,890 11/1992 Loew D14/100
D. 342,249 12/1993 Beaumont et al. D13/184 X
D. 342,250 12/1993 Beaumont et al. D13/184 X
D. 346,386 4/1994 Brownlie et al. D14/240

Primary Examiner—Alan P. Douglas
Assistant Examiner—Jeffrey Asch
Attorney, Agent, or Firm—Shawn B. Dempster; Kevin A. Buford

[56] **References Cited**
U.S. PATENT DOCUMENTS
D. 284,854 7/1986 Vaillant D14/159 X
D. 324,858 3/1992 Ishida D14/107

[57] **CLAIM**
The ornamental design for a cellular base unit, as shown and described.

DESCRIPTION
FIG. 1 is a top, front, and right side perspective view of a cellular base unit showing our new design;
FIG. 2 is a left side elevational view;
FIG. 3 is a rear elevational view; and,
FIG. 4 is a bottom plan view thereof.

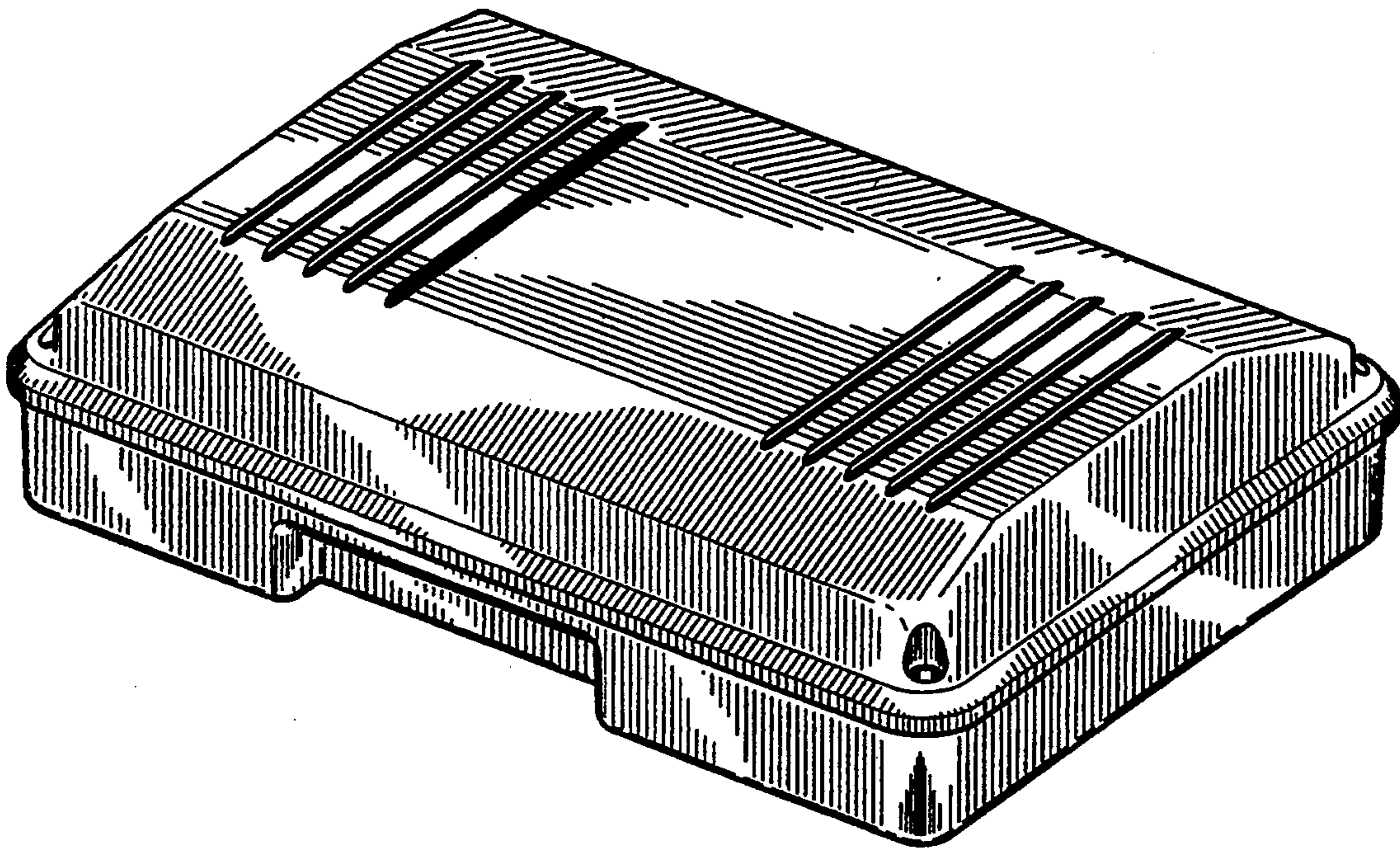


FIG. 2

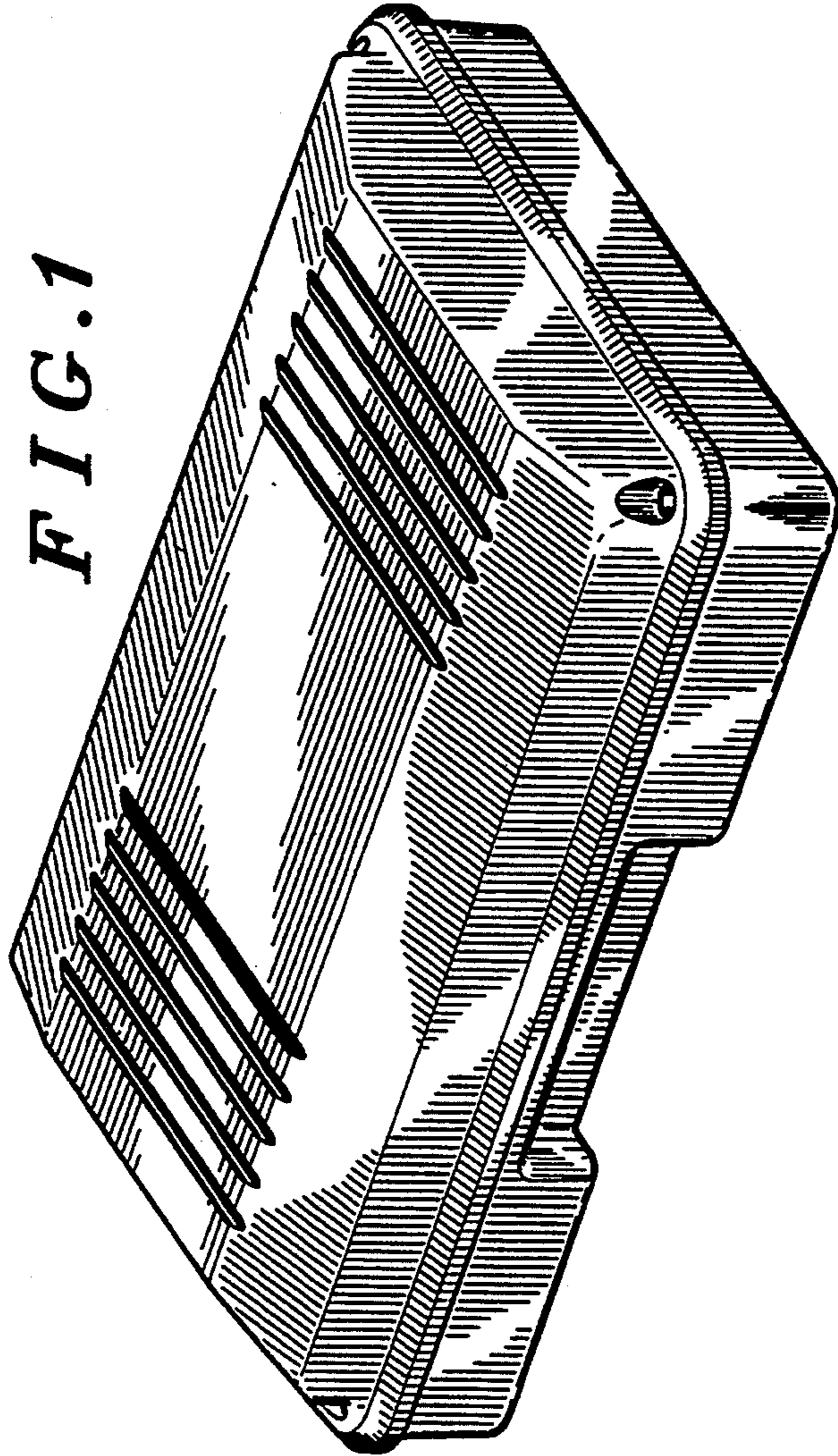
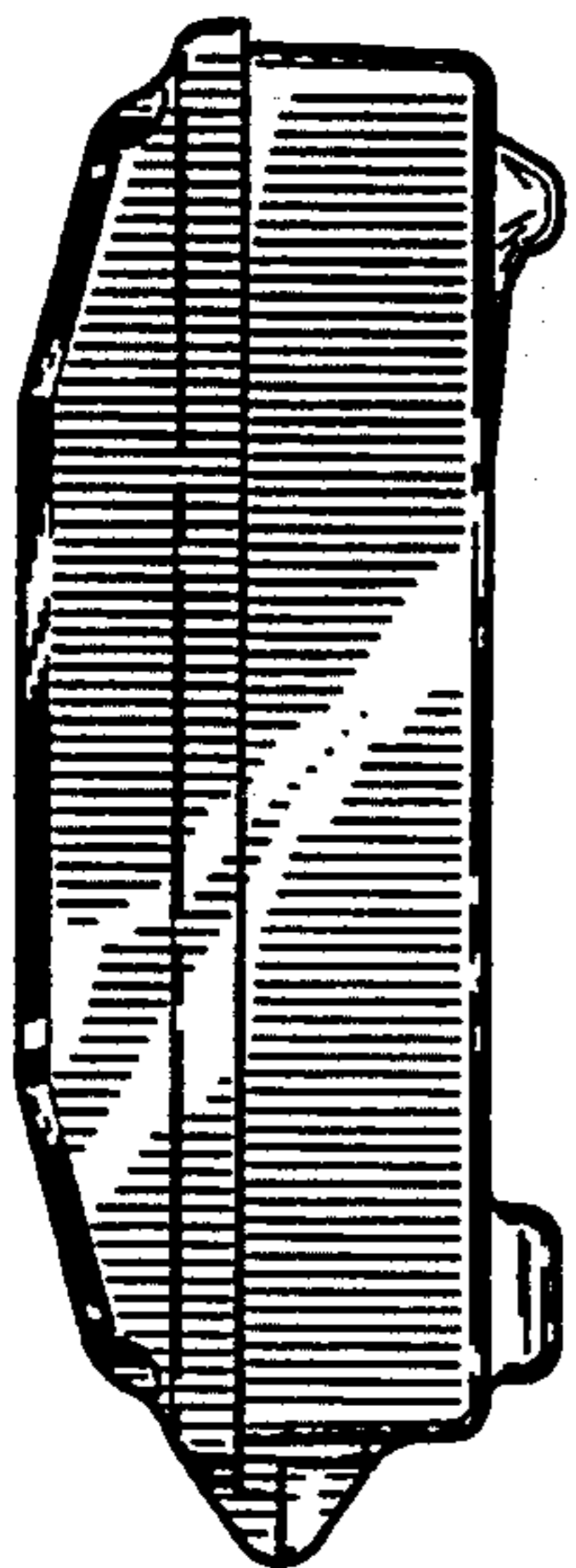


FIG. 1

FIG. 4



FIG. 3

