



US00D352940S

United States Patent [19]

[11] Patent Number: **Des. 352,940**

Kazama

[45] Date of Patent: **** Nov. 29, 1994**

[54] **STEREOPHONIC TELEVISION RECEIVER**

D. 342,495 12/1993 Morita et al. D14/126
D. 342,498 12/1993 Nakamura et al. D14/126
D. 342,502 12/1993 Fukatsu et al. D14/126

[75] Inventor: **Shigeyuki Kazama**, Ramsey, N.J.

[73] Assignee: **Sony Electronics Inc.**, Park Ridge, N.J.

Primary Examiner—Theodore M. Shooman
Attorney, Agent, or Firm—Lewis H. Eslinger; Jay H. Maioli

[**] Term: **14 Years**

[57] **CLAIM**

[21] Appl. No.: **16,612**

The ornamental design for a stereophonic television receiver, as shown and described.

[22] Filed: **Dec. 20, 1993**

[52] U.S. Cl. **D14/126**

DESCRIPTION

[58] Field of Search 348/825, 838; 312/7.2;
D14/125-134

FIG. 1 is a top, front and left-side perspective view of a stereophonic television receiver, showing my new design;

[56] **References Cited**

U.S. PATENT DOCUMENTS

D. 305,757 1/1990 Kitagawa et al. D14/126
D. 306,289 2/1990 Lee D14/126
D. 317,305 6/1991 Tanaka et al. D14/126
D. 336,643 6/1993 Kitashima et al. D14/126

FIG. 2 is a front elevational view thereof;

FIG. 3 is a rear elevational view thereof;

FIG. 4 is a right-side elevational view thereof, the left-side being a mirror image thereof;

FIG. 5 is a top plan view thereof; and,

FIG. 6 is a bottom plan view thereof.

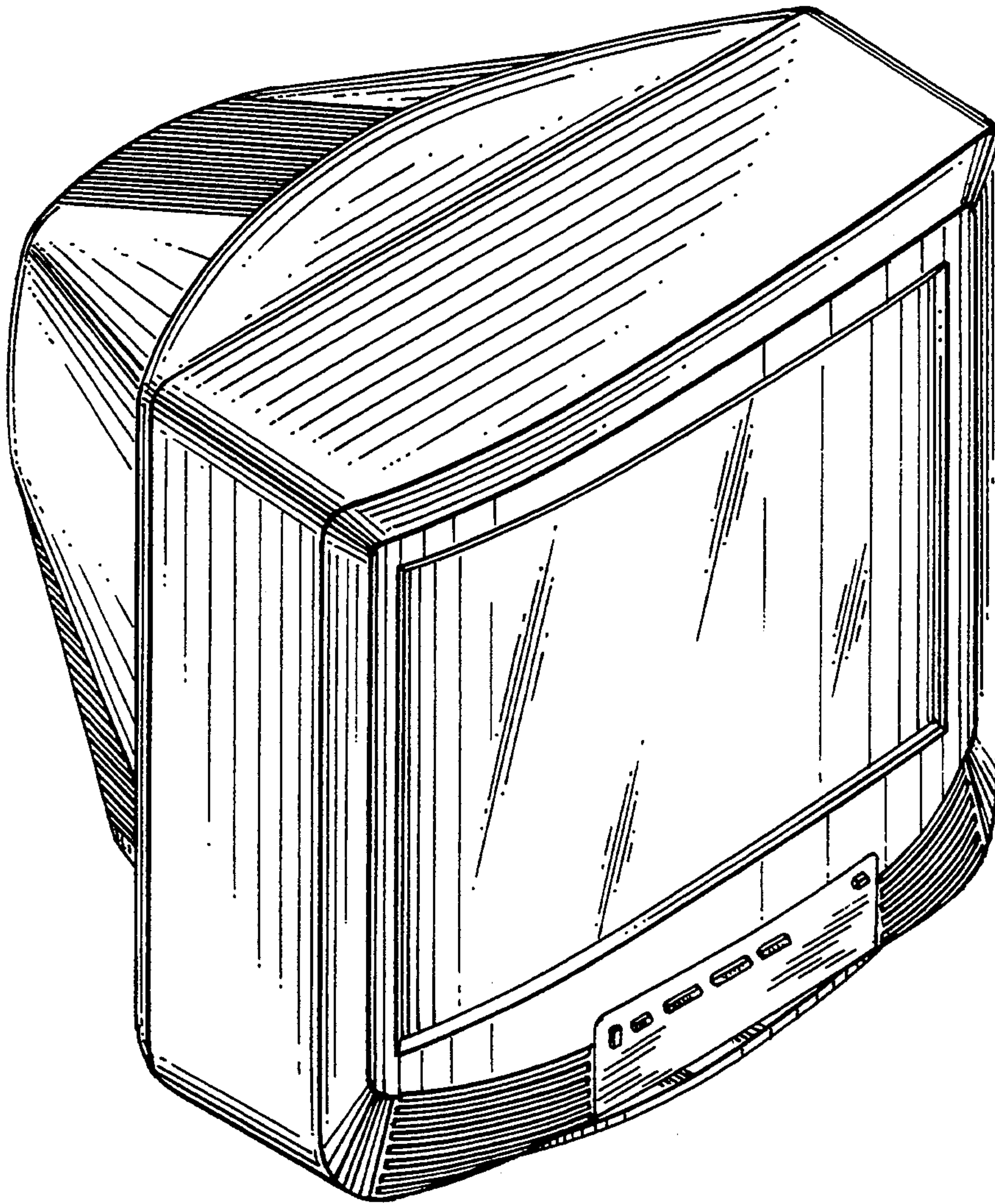
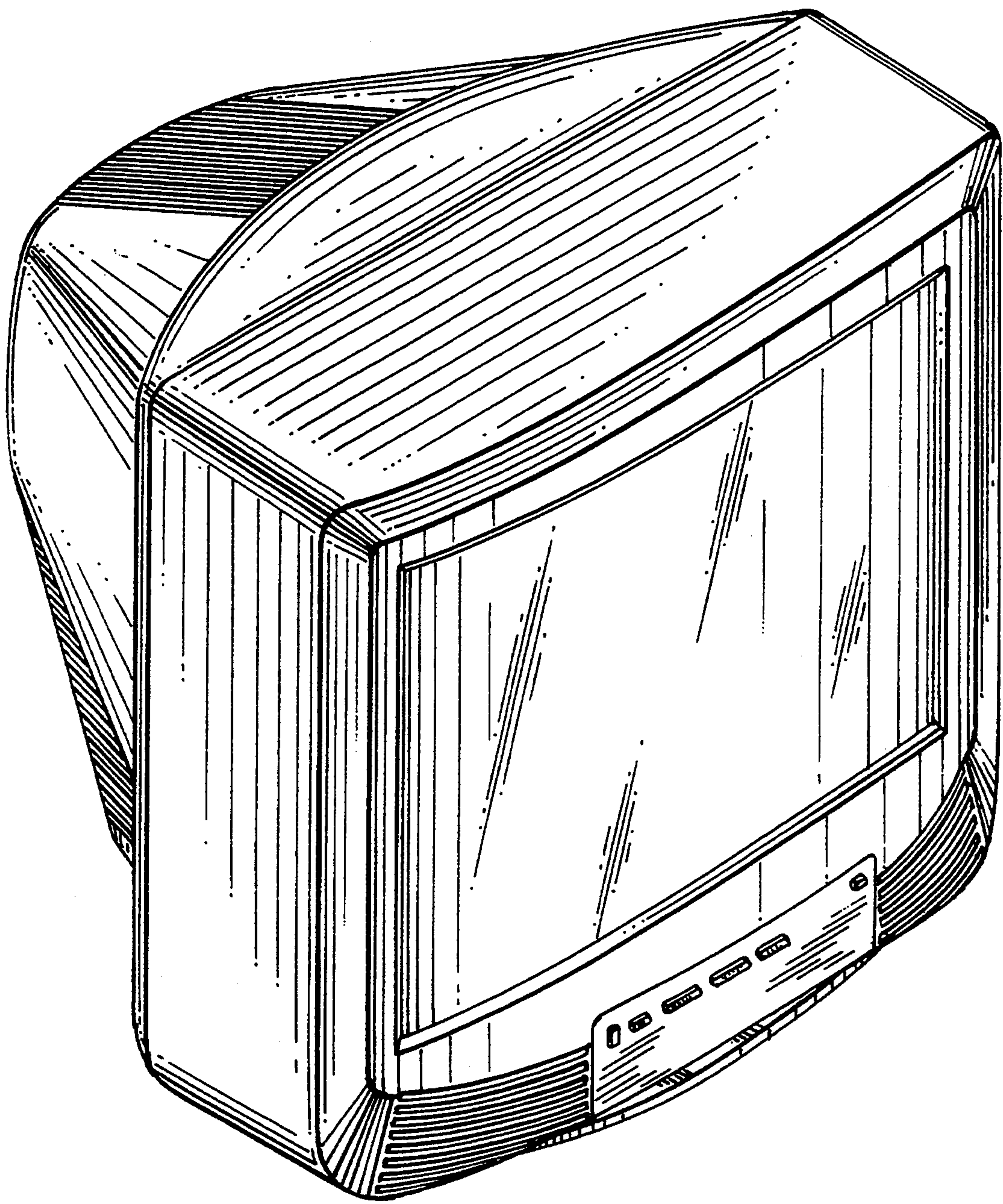


FIG. 1



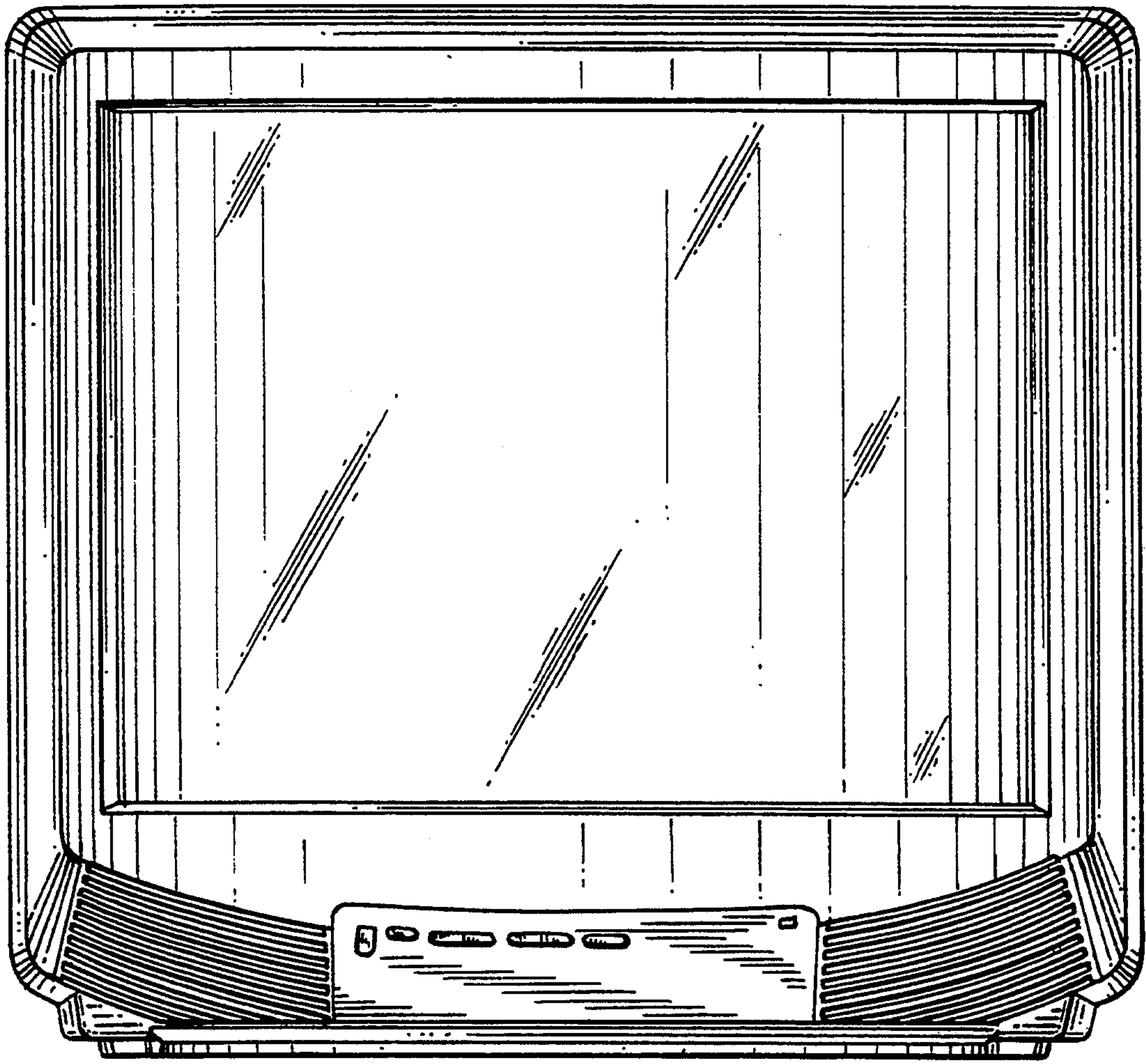


FIG. 2

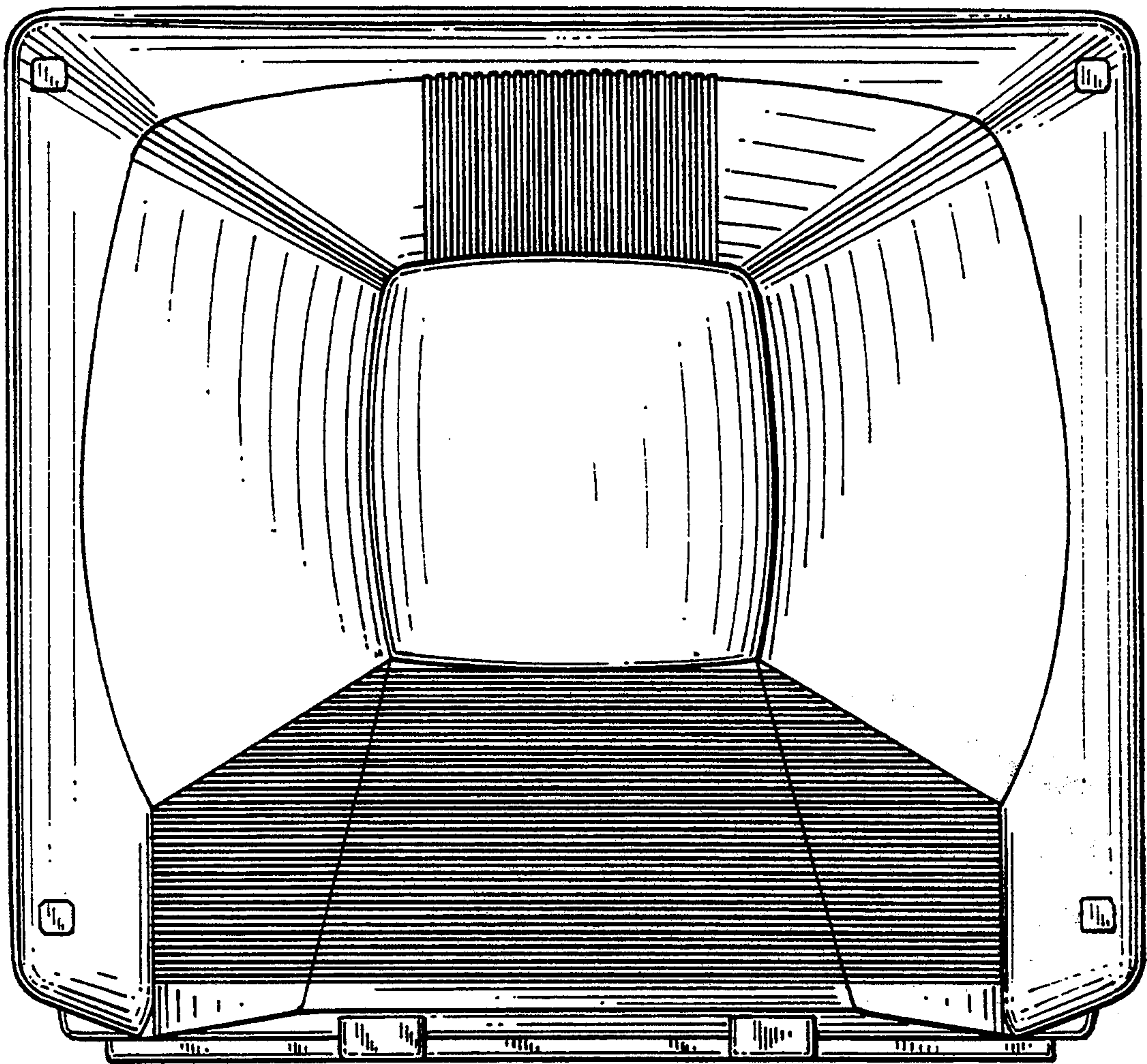


FIG. 3

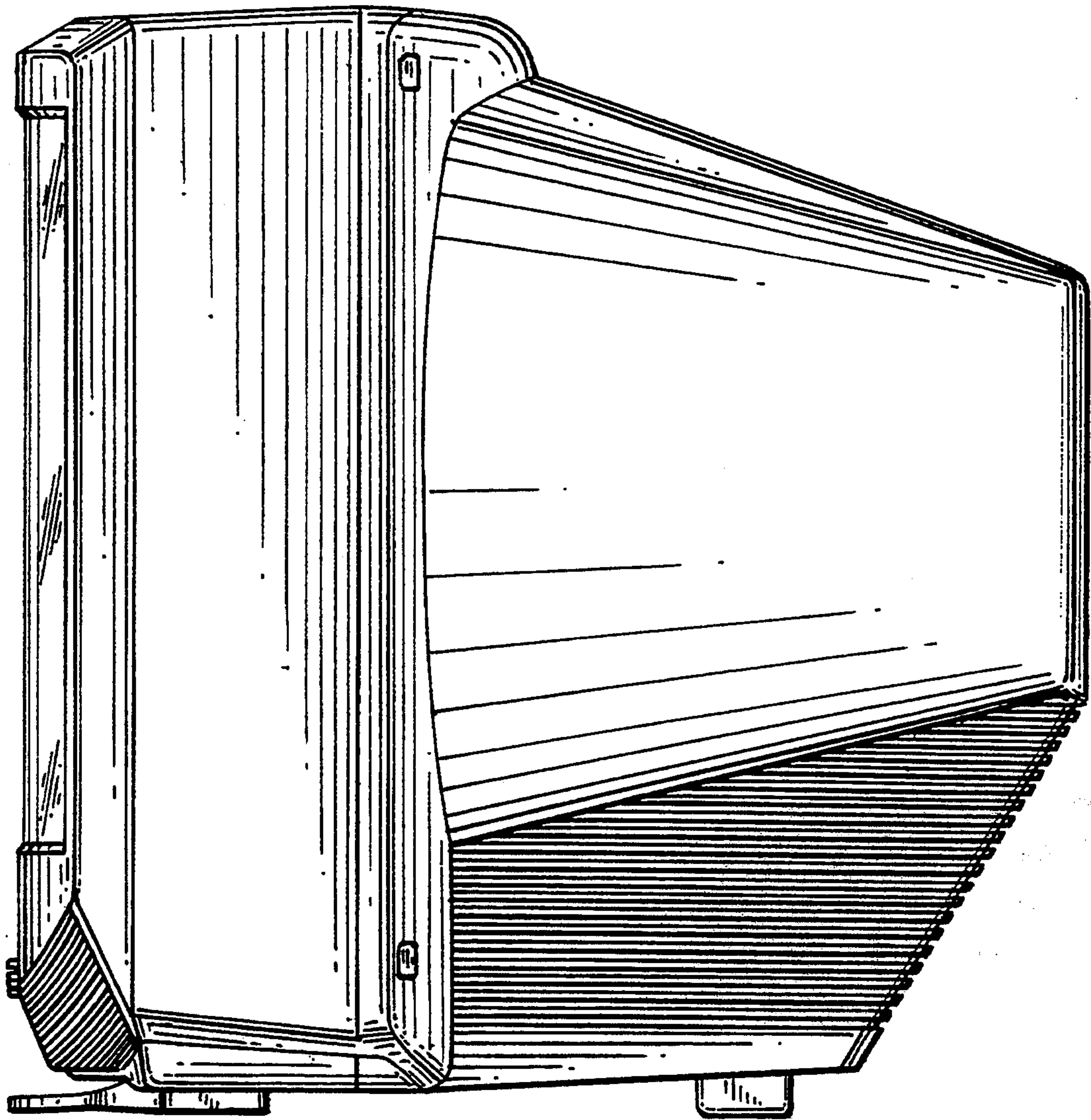


FIG. 4

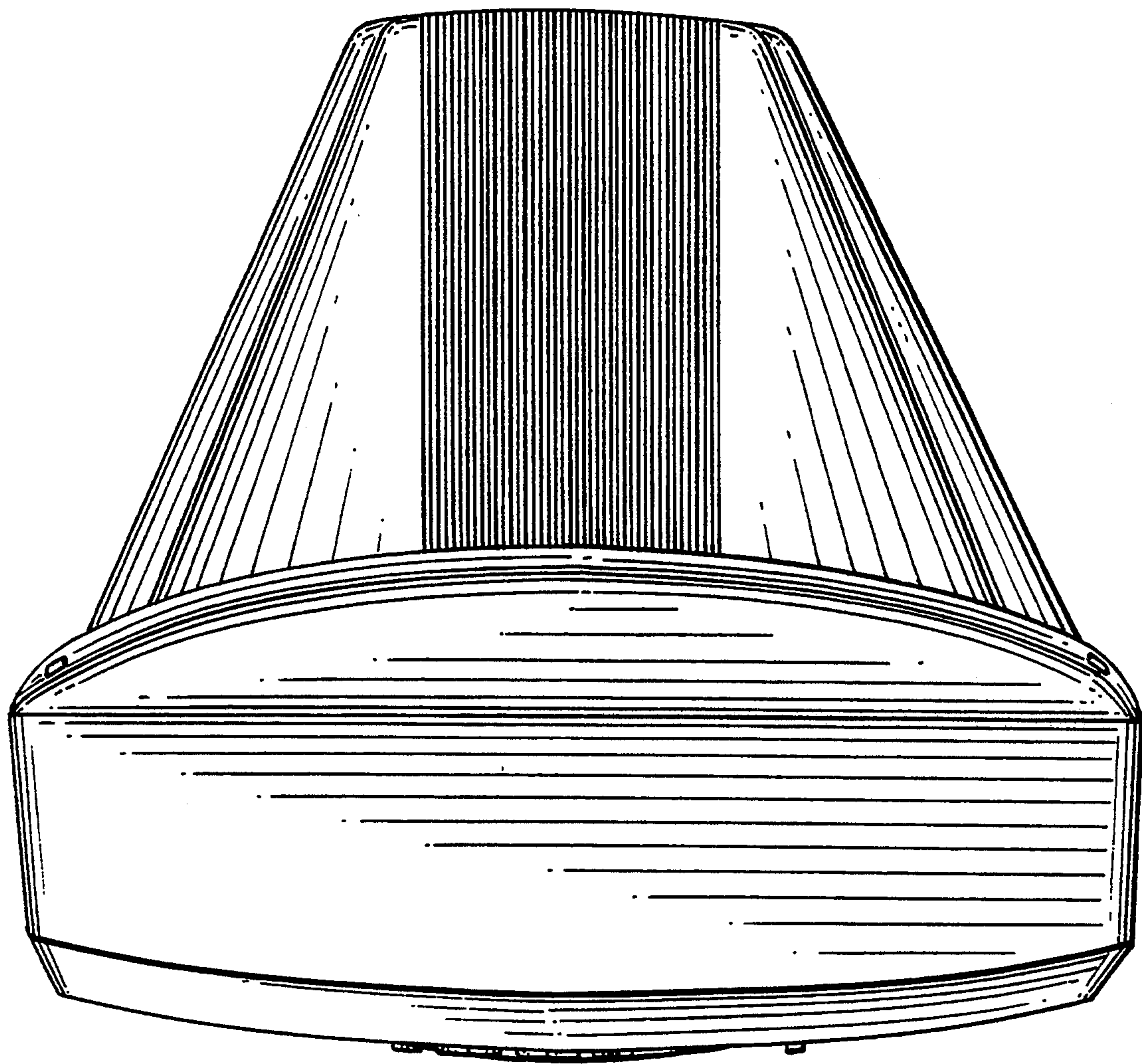


FIG. 5

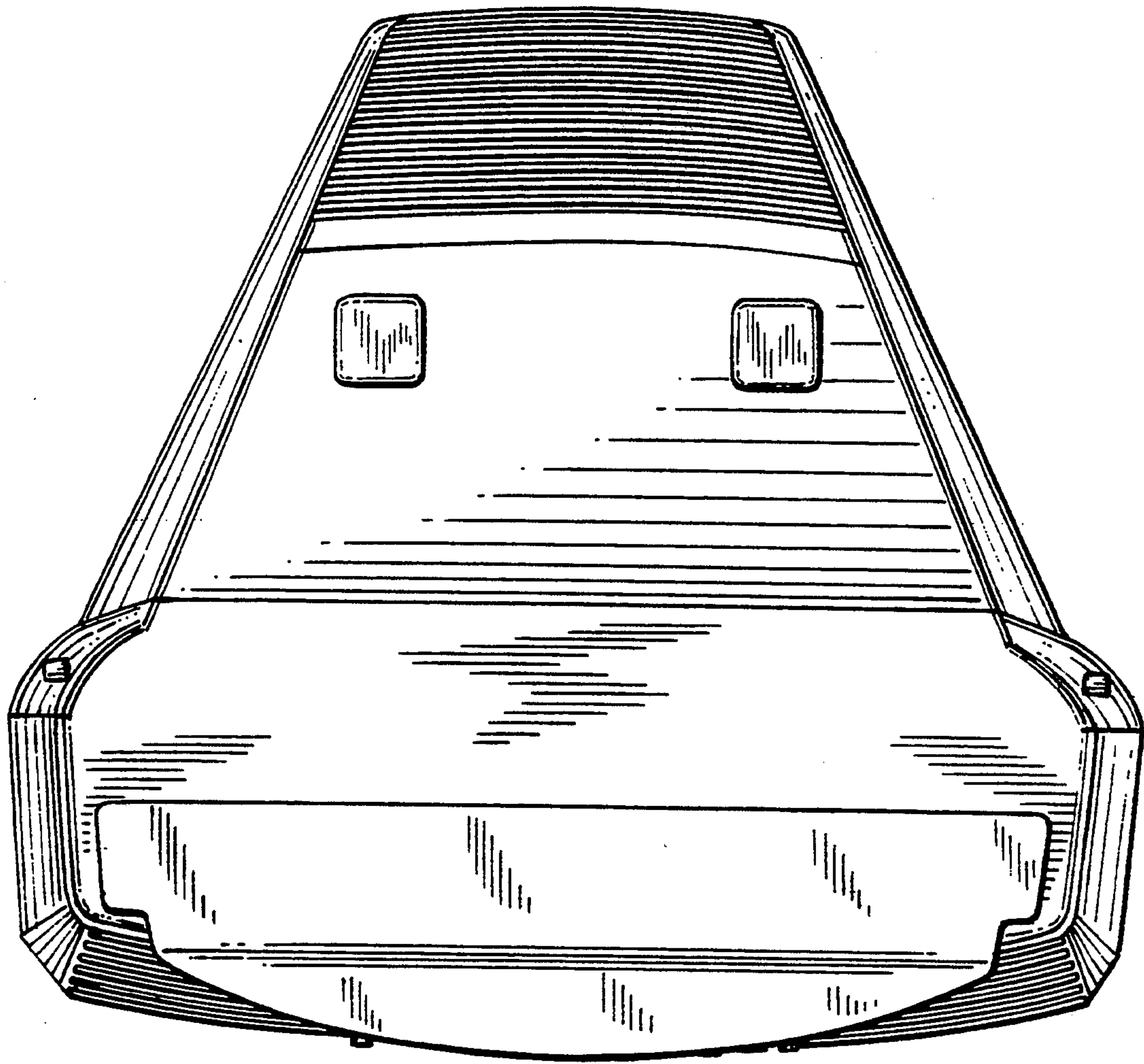


FIG. 6