



US00D352937S

United States Patent [19]

[11] Patent Number: **Des. 352,937**

Karlin

[45] Date of Patent: **** Nov. 29, 1994**

[54] **OPTICAL SCANNER**

[75] Inventor: **James H. Karlin, Monroe County, N.Y.**

[73] Assignee: **PSC, Inc., Webster, N.Y.**

[**] Term: **14 Years**

[21] Appl. No.: **13,937**

[22] Filed: **Oct. 7, 1993**

[52] U.S. Cl. **D14/116**

[58] Field of Search 235/375, 378, 385, 454, 235/462, 472, 486; 354/80.2; 382/58-69; 250/203.1, 216, 566, 568; D14/114, 100, 116; D26/37, 45, 50

[56] **References Cited**

U.S. PATENT DOCUMENTS

D. 238,858 2/1976 Barclay D14/116

D. 239,005 3/1976 Koenig D14/116
D. 305,885 2/1990 Barkan et al. D14/116
D. 307,138 4/1990 Knowles D14/116
D. 315,901 4/1991 Knowles D14/116

Primary Examiner—Wallace R. Burke
Assistant Examiner—M. H. Tung
Attorney, Agent, or Firm—Joseph F. Murphy

[57] **CLAIM**

The ornamental design for optical scanner, as shown.

DESCRIPTION

FIG. 1 is a top, right, front perspective view;
FIG. 2 is a top plan view;
FIG. 3 is a right side view;
FIG. 4 is a front view;
FIG. 5 is a left side view;
FIG. 6 is a rear view; and,
FIG. 7 is a bottom plan view.

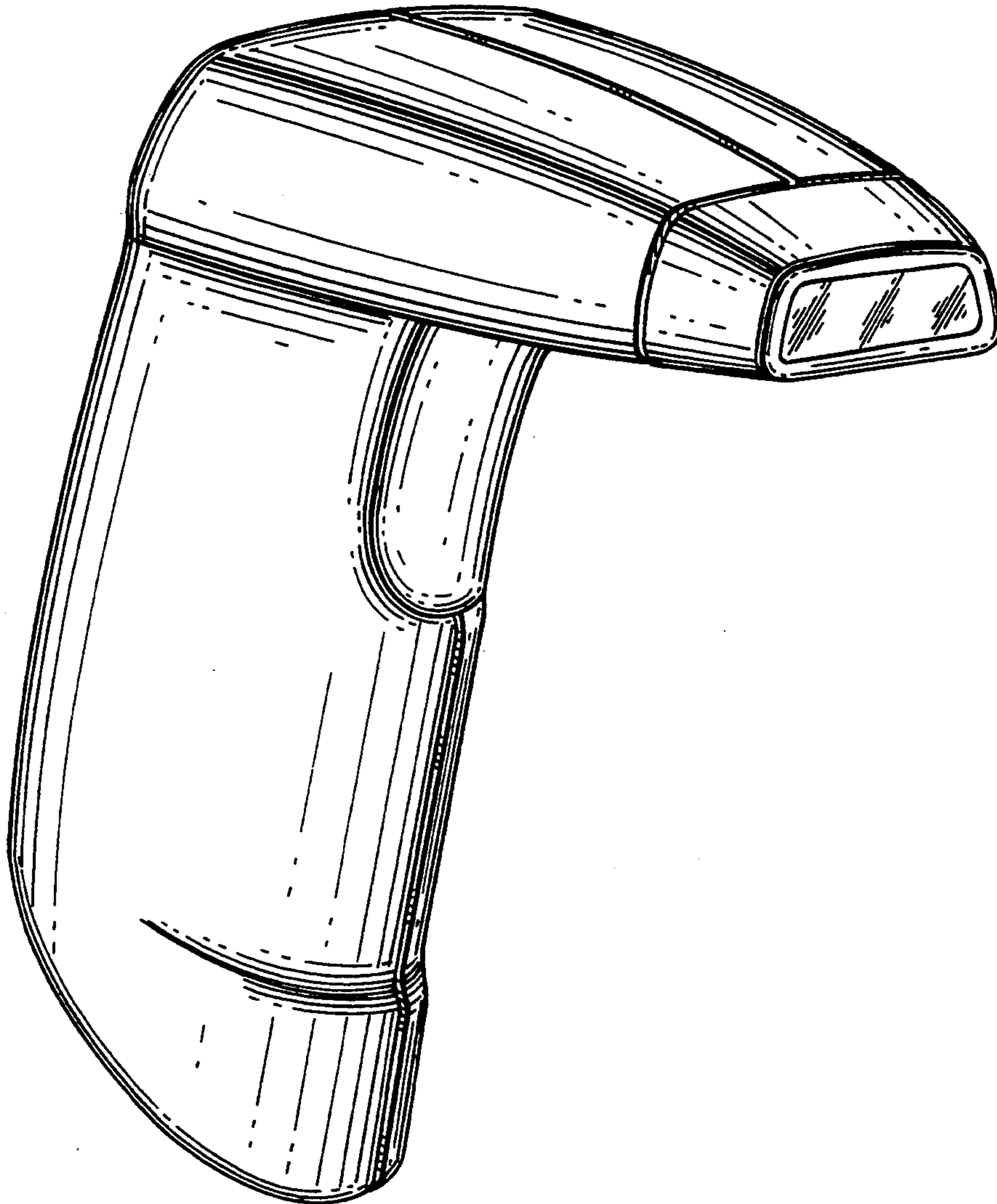


FIG. 1

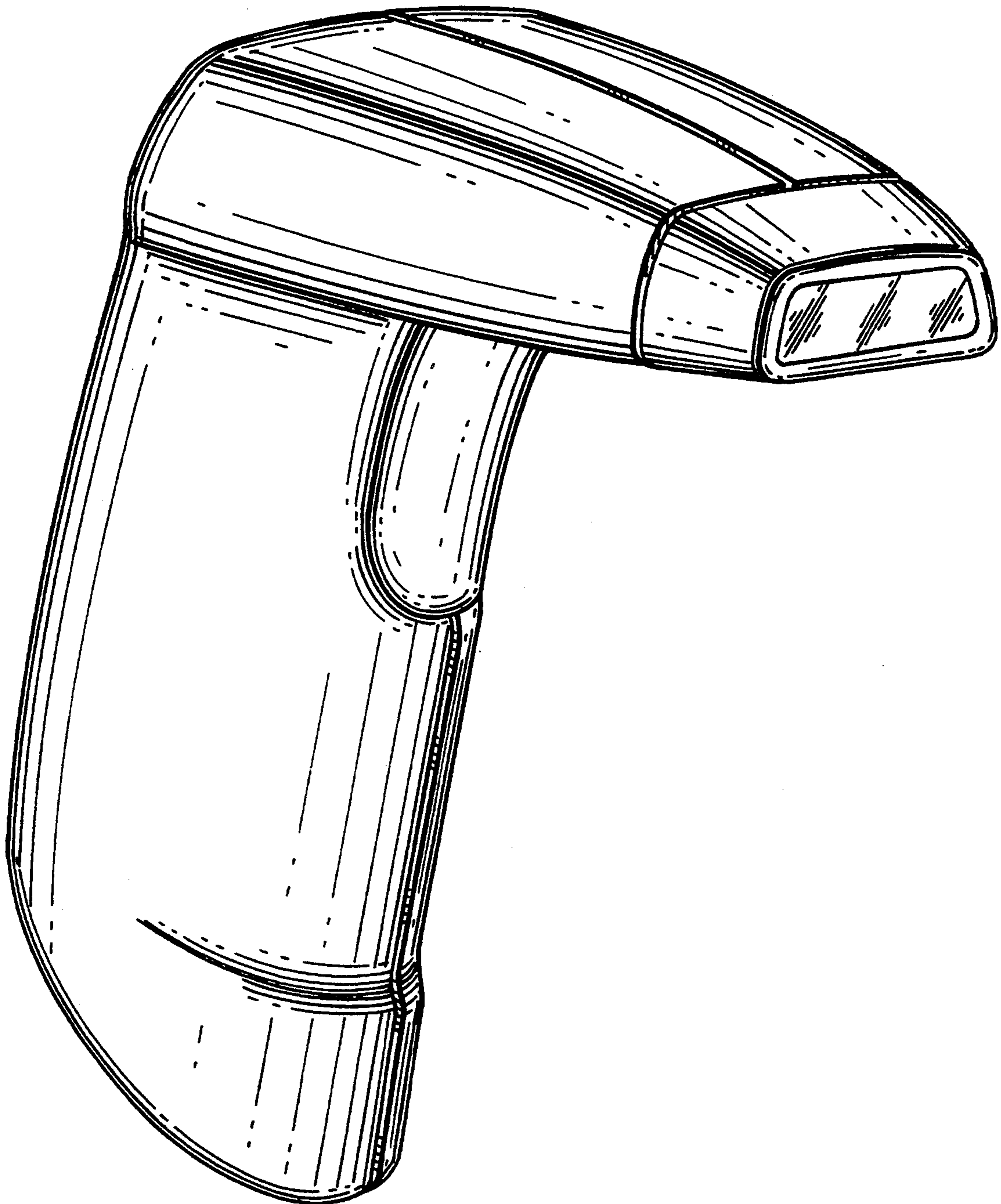


FIG. 2

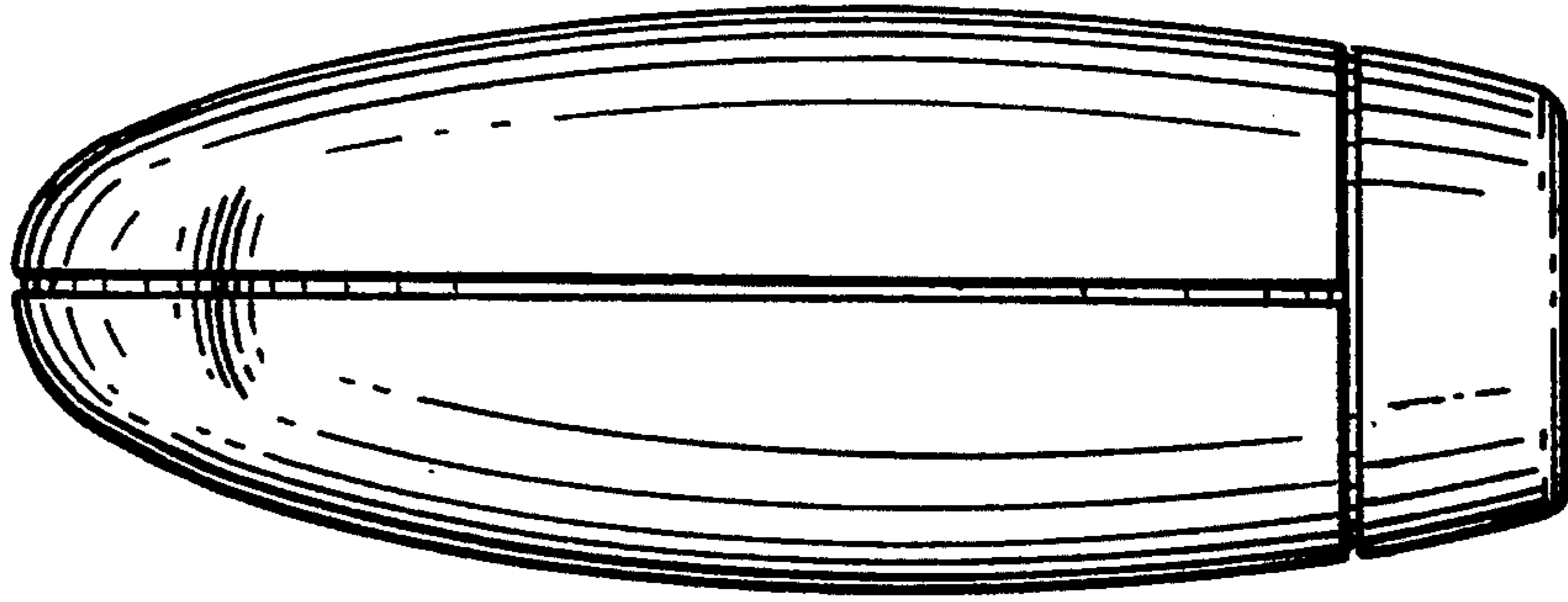
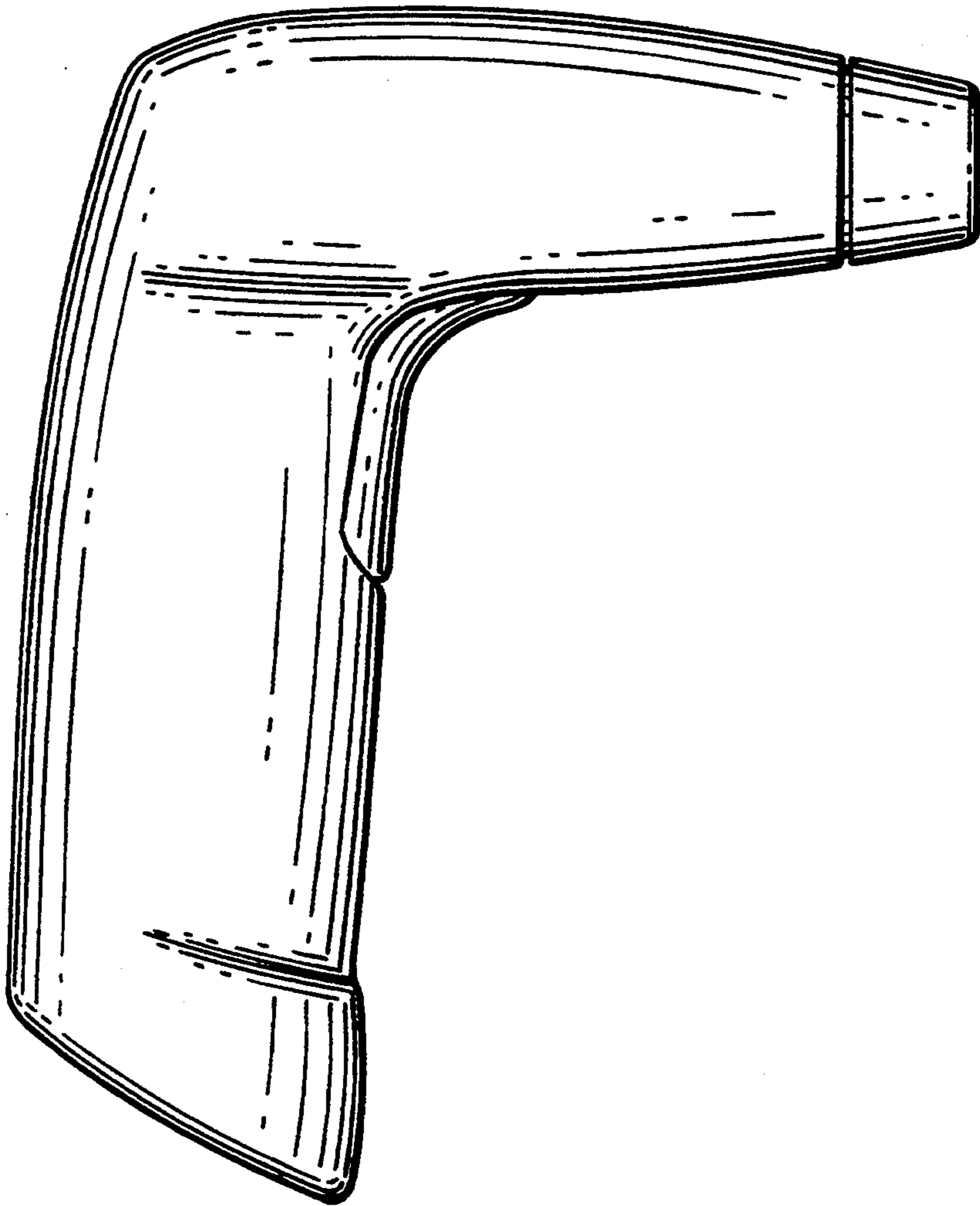


FIG. 3



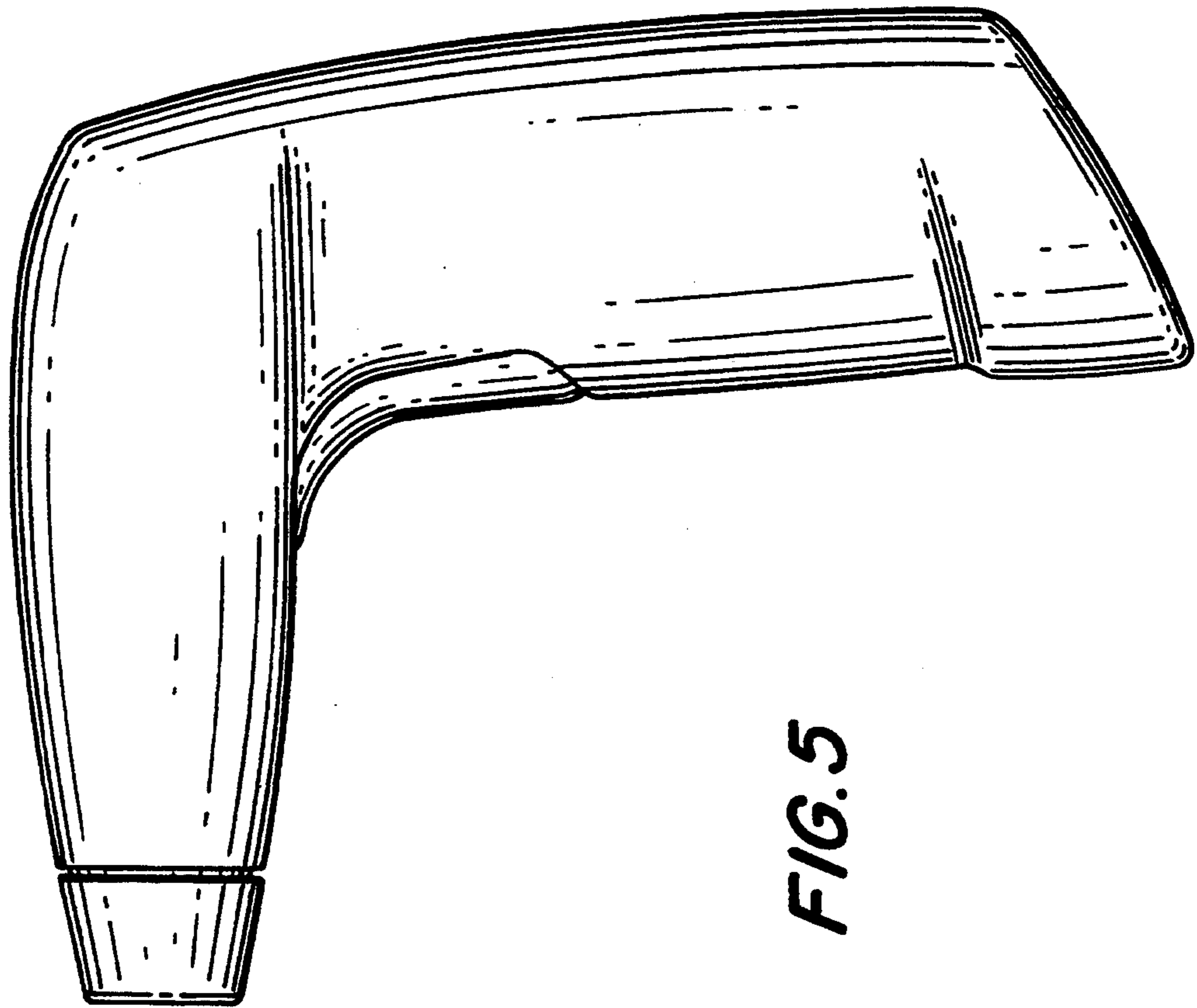


FIG. 5

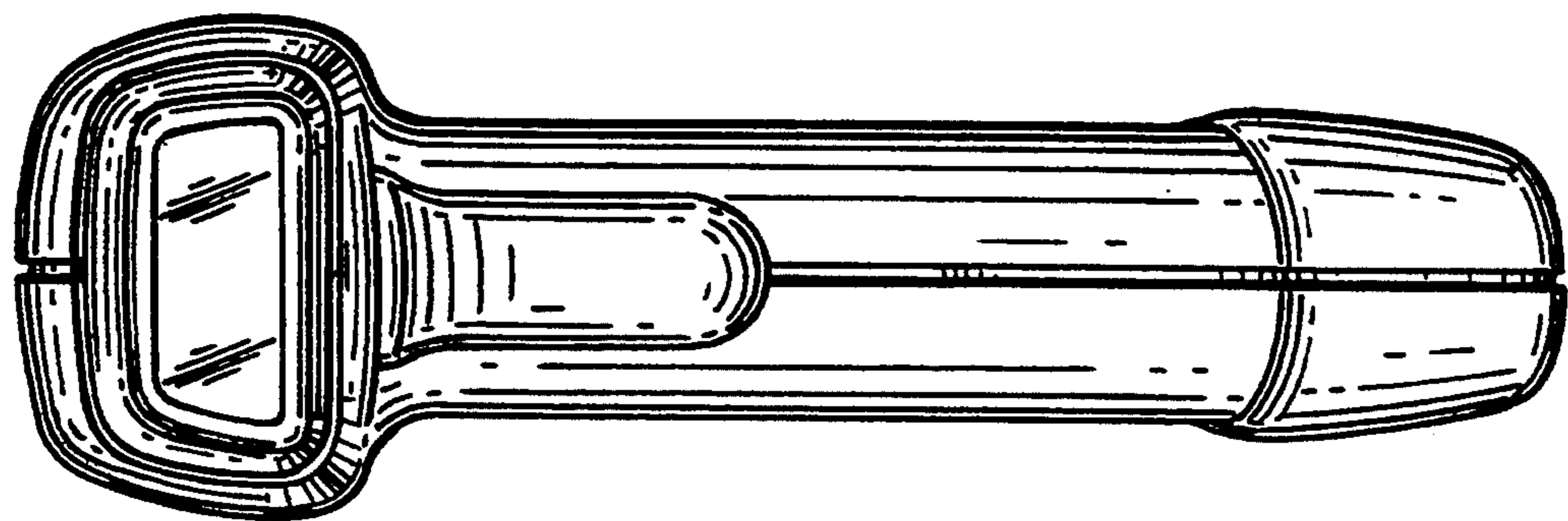


FIG. 4

FIG. 6

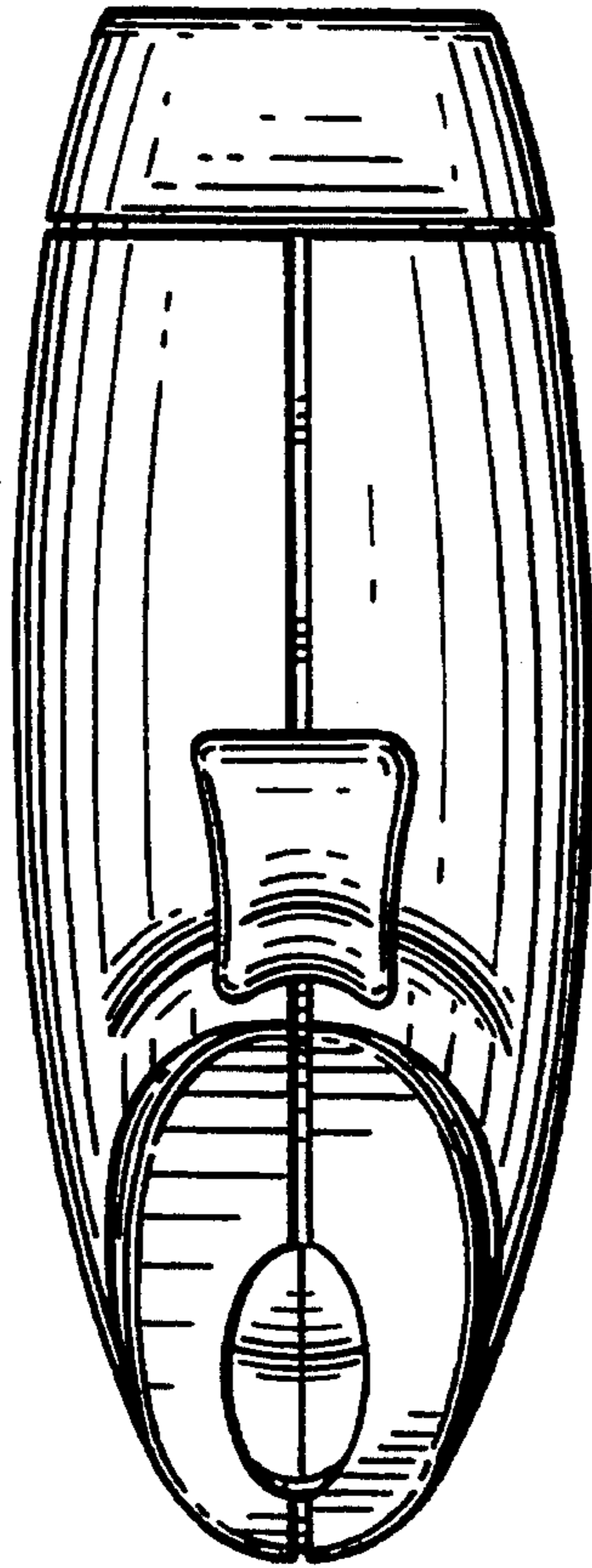
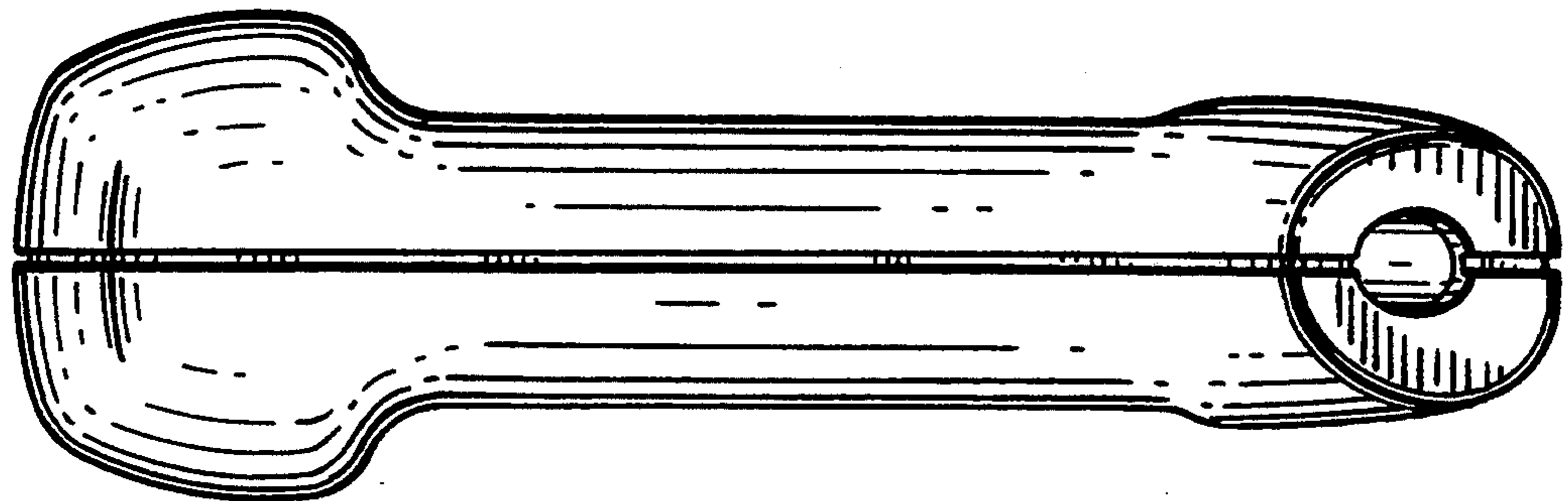


FIG. 7