



US00D352933S

United States Patent [19]

[11] Patent Number: **Des. 352,933**

Vaule

[45] Date of Patent: **** Nov. 29, 1994**

[54] **ERGONOMIC WRIST-REST**

[75] Inventor: **Lars A. Vaule, Portland, Me.**

[73] Assignee: **Padware Incorporated, Braintree, Mass.**

[**] Term: **14 Years**

[21] Appl. No.: **917,602**

[22] Filed: **Jul. 21, 1992**

[52] U.S. Cl. **D14/114; D18/12**

[58] Field of Search **248/118-118.5, 248/176; 400/715; D14/114, 115, 299; D18/12, 99**

5,088,668 2/1992 Grimm 248/118.3
 5,125,606 6/1992 Cassano et al. D14/114 X
 5,228,655 7/1993 Garcia et al. 400/715 X

OTHER PUBLICATIONS

Global Computer Supplies Catalog, p. 5. date unknown.
 Conney Safety Products Catalog, Spring 1992, p. 37.

Primary Examiner—Alan P. Douglas
Assistant Examiner—Caron D. Veynar
Attorney, Agent, or Firm—Samuels, Gauthier & Stevens

[57] CLAIM

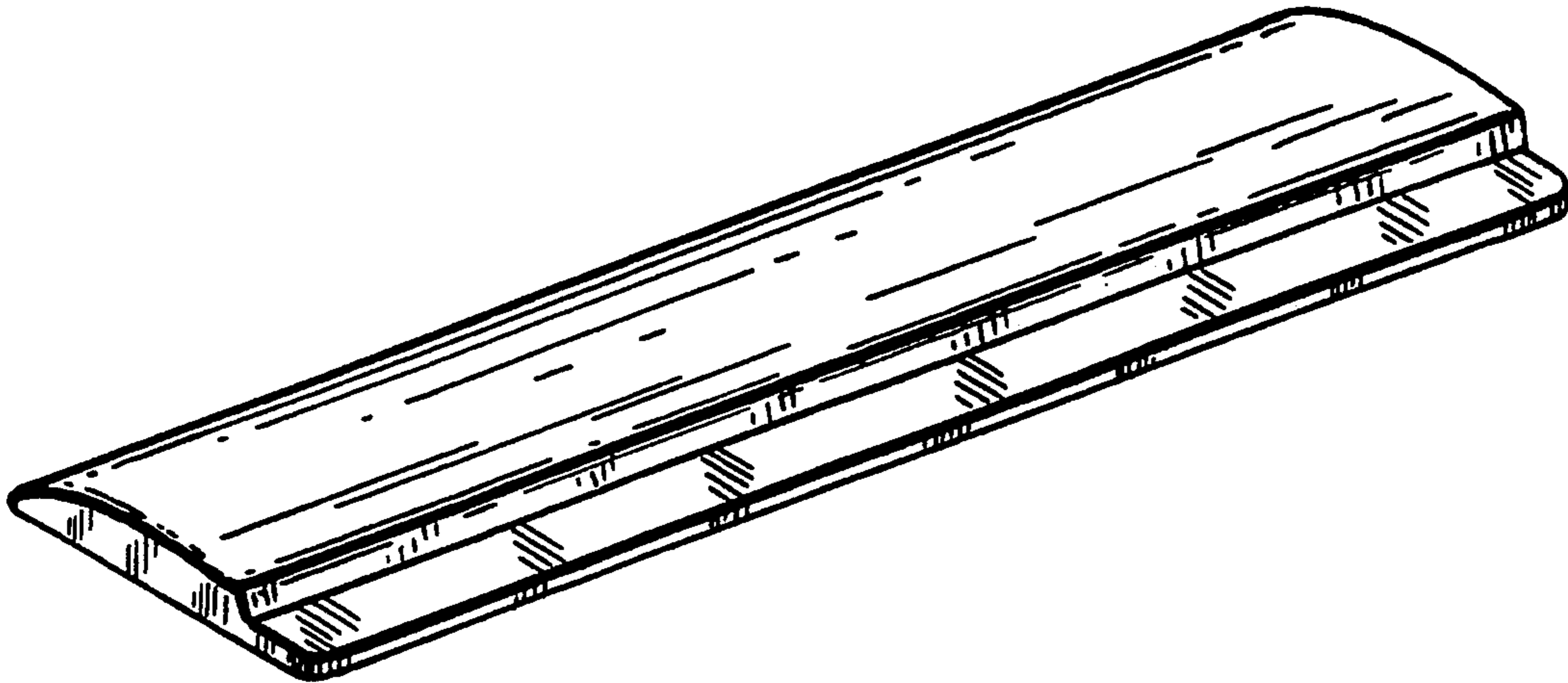
The ornamental design for an ergonomic wrist-rest, as shown and described.

[56] **References Cited**
U.S. PATENT DOCUMENTS

D. 272,545 2/1984 Latino D18/12
 D. 328,598 8/1992 Massey D14/114
 4,481,556 11/1984 Beke et al. 248/118 X
 4,621,781 11/1986 Springer 248/118
 4,976,407 12/1990 Schwartz et al. 400/715 X
 5,072,905 12/1991 Hyatt 248/118

DESCRIPTION

FIG. 1 is a front perspective view of an ergonomic wrist-rest showing my new design;
 FIG. 2 is a top plan view thereof;
 FIG. 3 is a front end view thereof;
 FIG. 4 is a side elevational view thereof, the opposite side being a mirror image; and,
 FIG. 5 is a rear end view thereof.



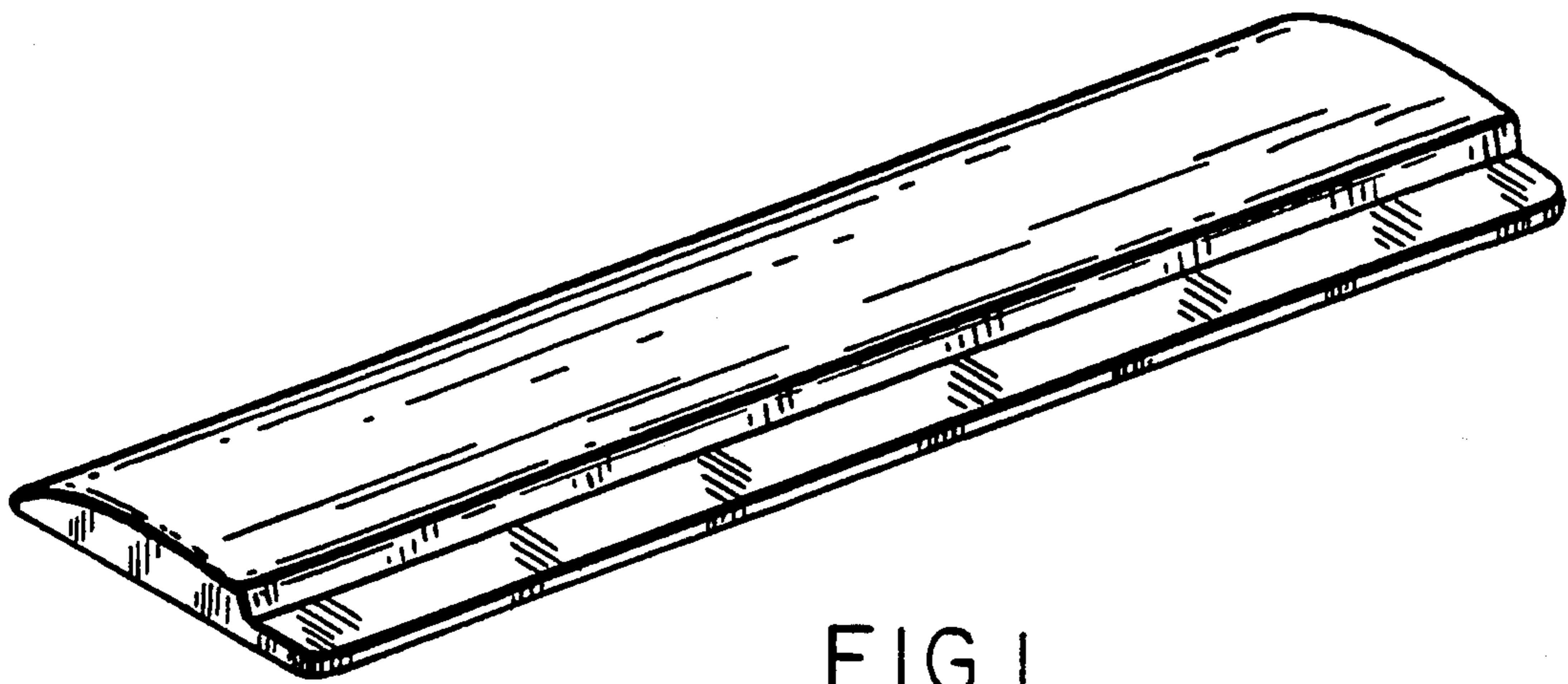


FIG. 1

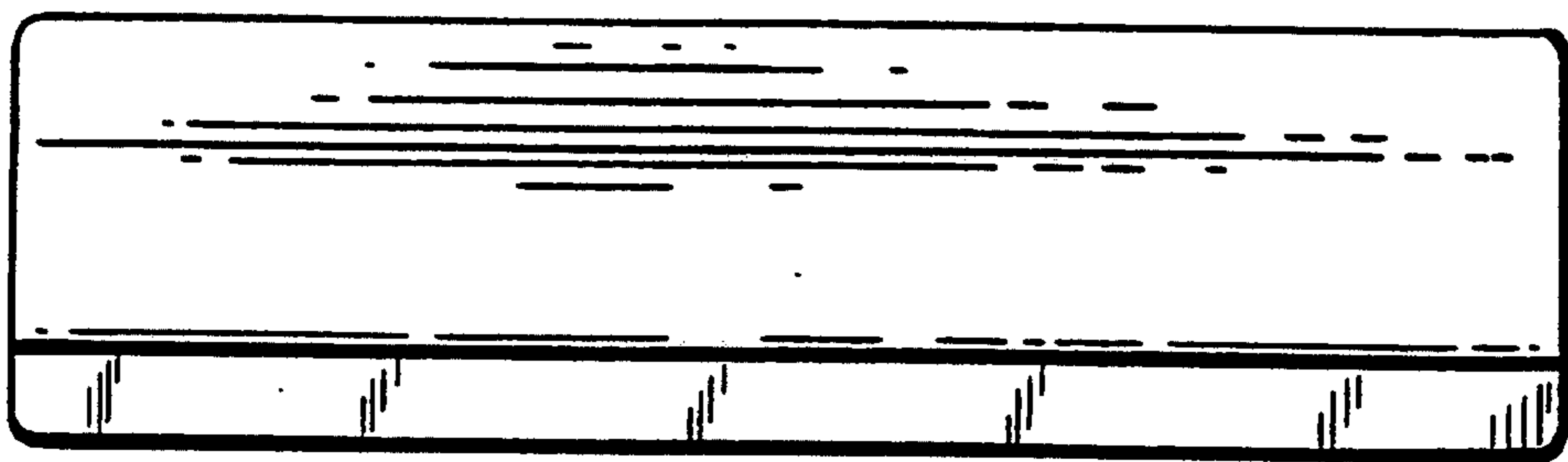


FIG. 2



FIG. 3

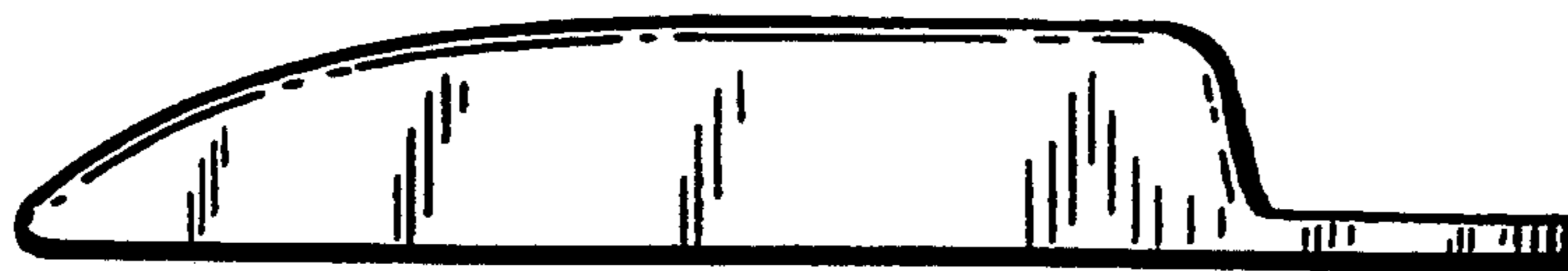


FIG. 4



FIG. 5