



US00D352932S

# United States Patent [19]

[11] Patent Number: **Des. 352,932**

Pangburn et al.

[45] Date of Patent: **\*\* Nov. 29, 1994**

[54] **COMBINED COMPUTER DISPLAY AND BASE THEREFOR**

[75] Inventors: **Thomas E. Pangburn**, Lexington, Ky.; **John A. Wiseman**, Winchester, England

[73] Assignee: **International Business Machines Corporation**, Armonk, N.Y.

[\*] Notice: The portion of the term of this patent subsequent to Apr. 29, 2010 has been disclaimed.

[\*\*] Term: **14 Years**

[21] Appl. No.: **505,112**

[22] Filed: **Apr. 4, 1990**

[30] **Foreign Application Priority Data**

Oct. 5, 1989 [GB] United Kingdom ..... 2001487

[52] U.S. Cl. .... **D14/113**

[58] Field of Search ..... 340/700, 706, 711, 712; 364/706-709.09; 358/248, 249, 254; D14/100, 101, 105, 106, 113; D18/1, 7, 11, 12

[56] **References Cited**

**U.S. PATENT DOCUMENTS**

D. 304,179	10/1989	Beaton et al. ....	D14/113
D. 314,563	2/1991	Maurer et al. ....	D14/113
D. 318,657	7/1991	Wiseman .....	D14/113
D. 318,861	8/1991	Manabe et al. ....	D14/113
D. 320,010	9/1991	Orchard et al. ....	D14/113

*Primary Examiner*—Wallace R. Burke

*Assistant Examiner*—Freda S. Nunn

*Attorney, Agent, or Firm*—Joscelyn G. Cockburn

[57] **CLAIM**

The ornamental design for a combined computer display and base therefor, as shown and described.

**DESCRIPTION**

FIG. 1 is a perspective view of a combined computer display and base therefor showing our new design; FIG. 2 is a front elevational view thereof; FIG. 3 is a rear elevational view thereof; FIG. 4 is a right-side elevational view thereof; FIG. 5 is a left-side elevational view thereof; FIG. 6 is a top plan view thereof; and, FIG. 7 is a bottom plan view thereof.

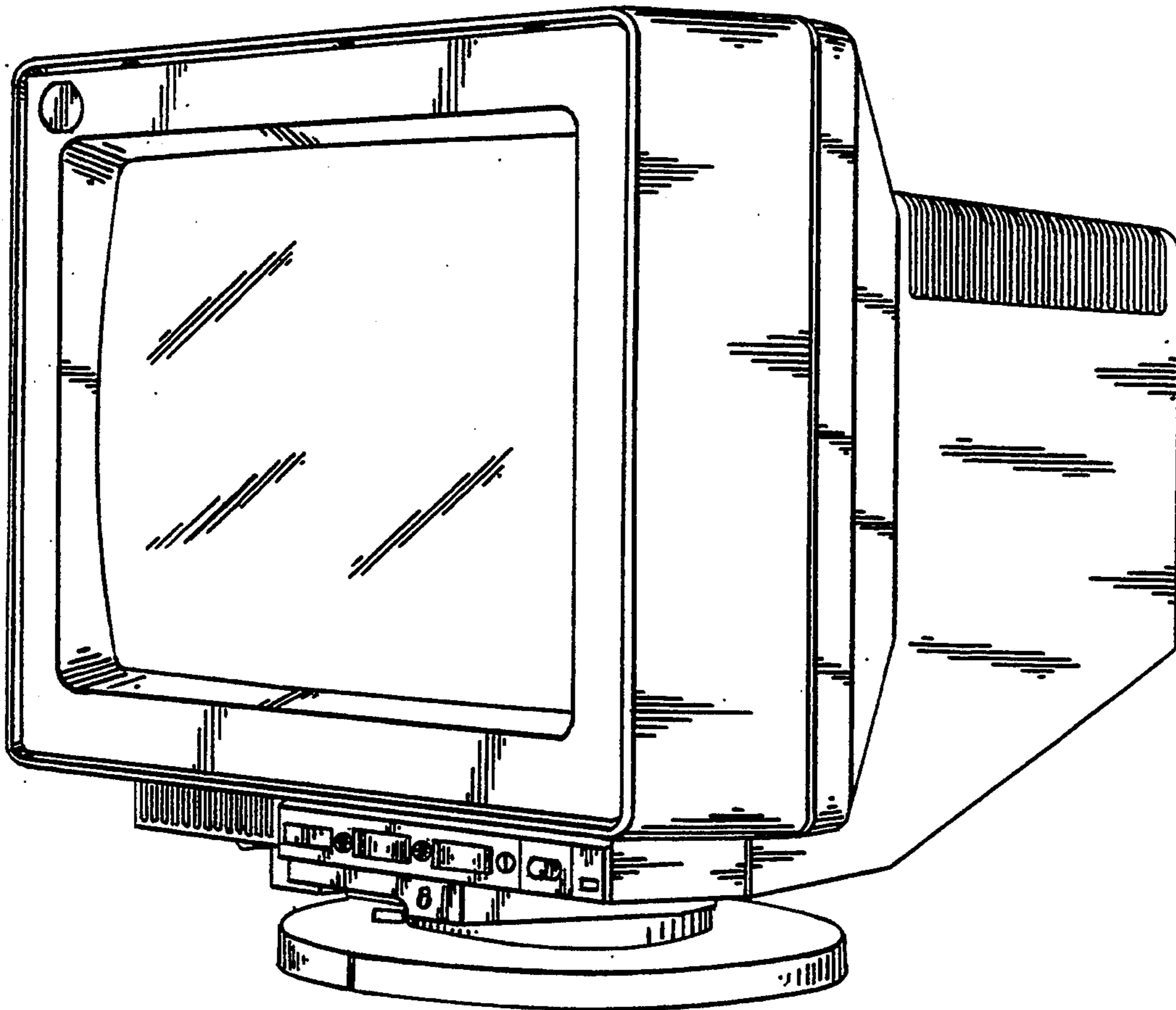


FIG. 1

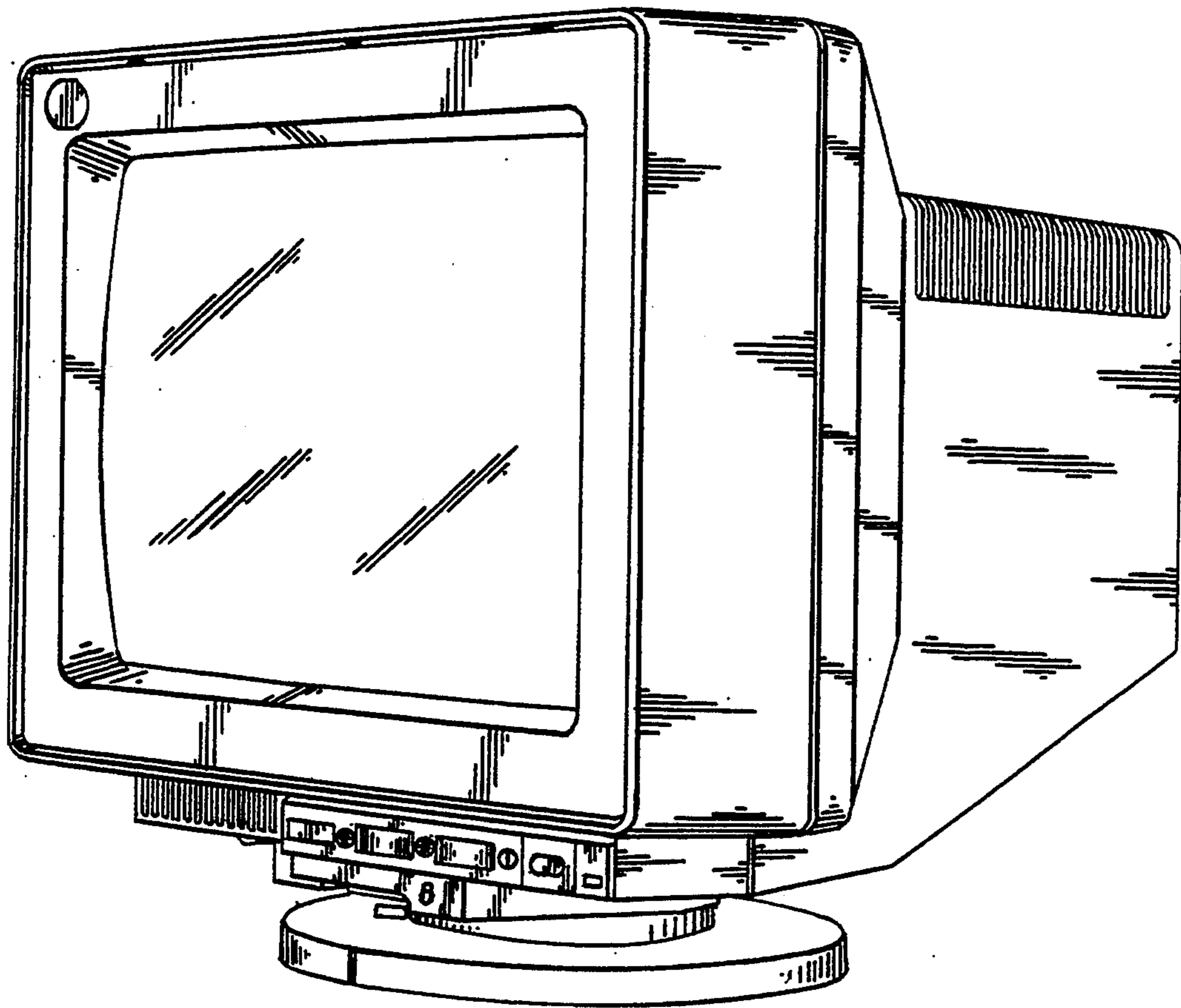


FIG. 2

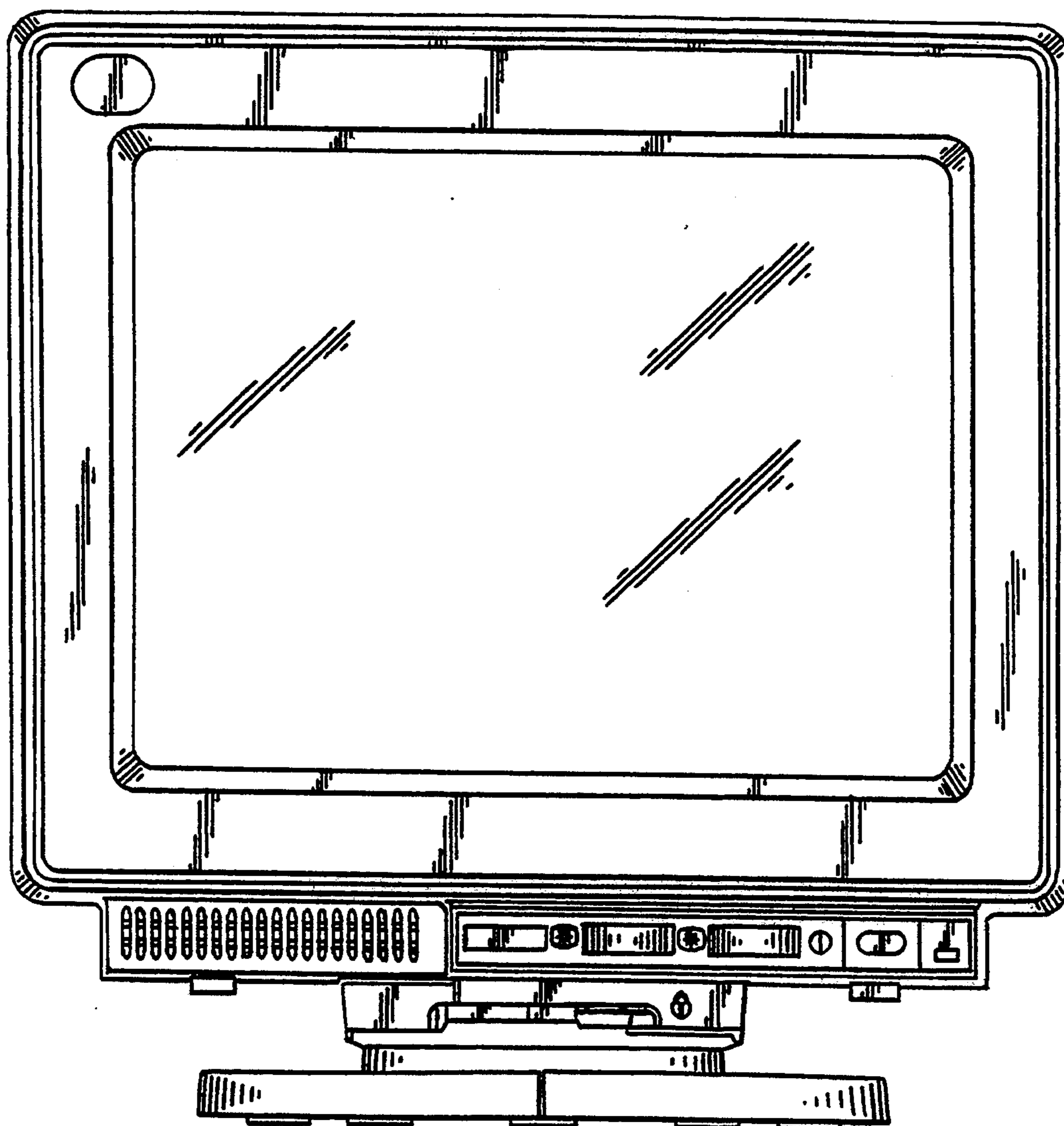


FIG. 3

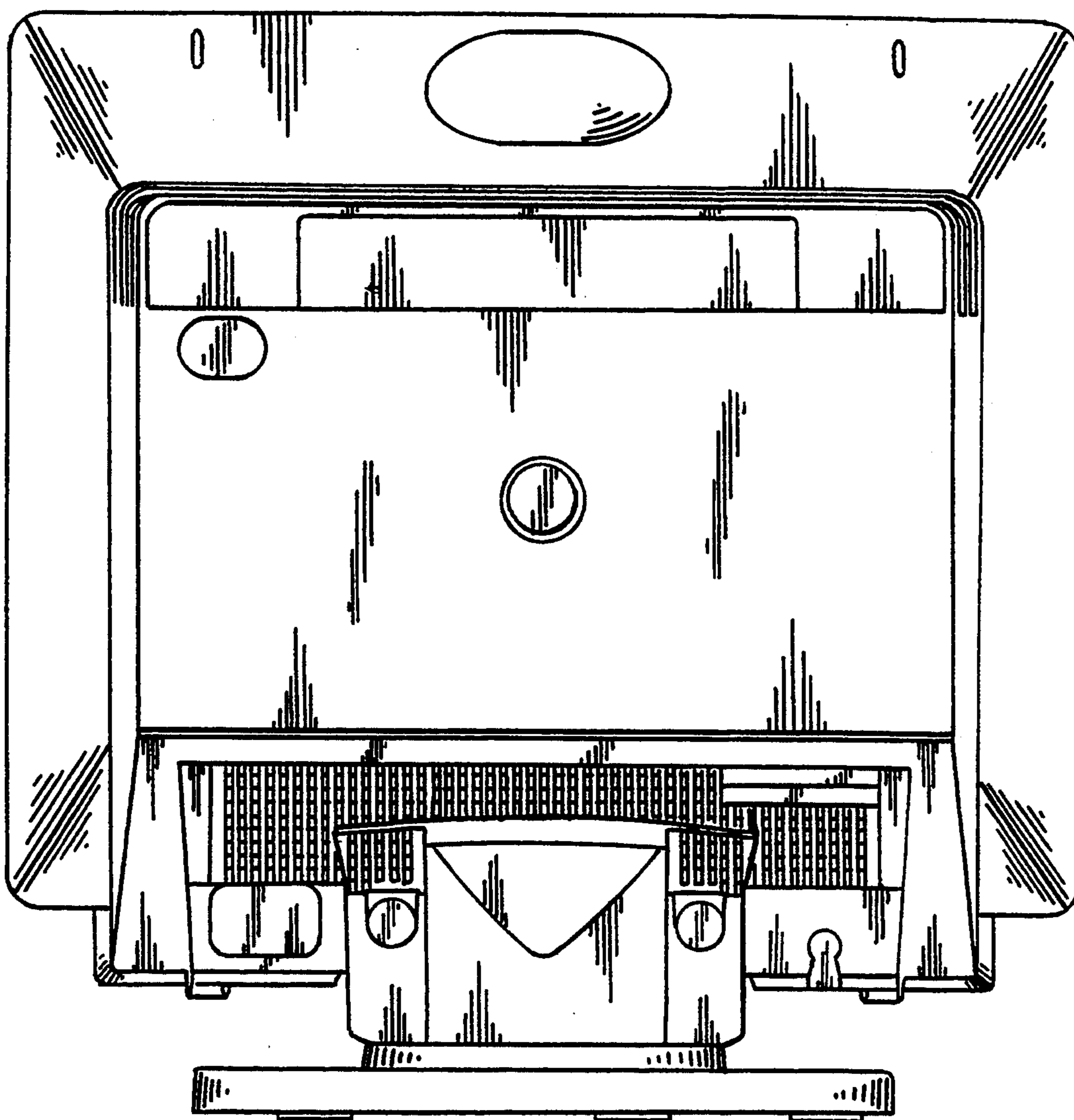


FIG. 4

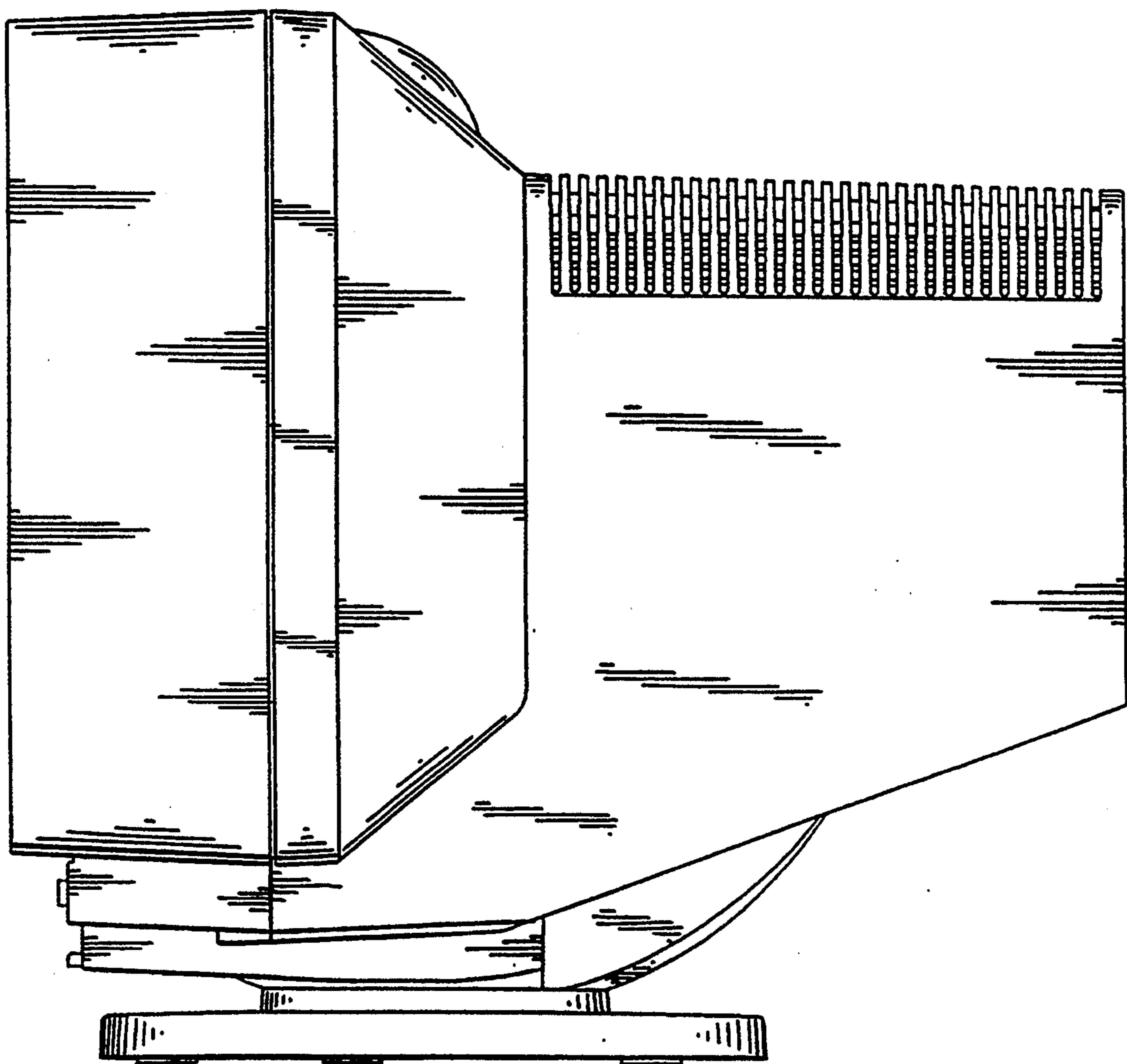


FIG. 5

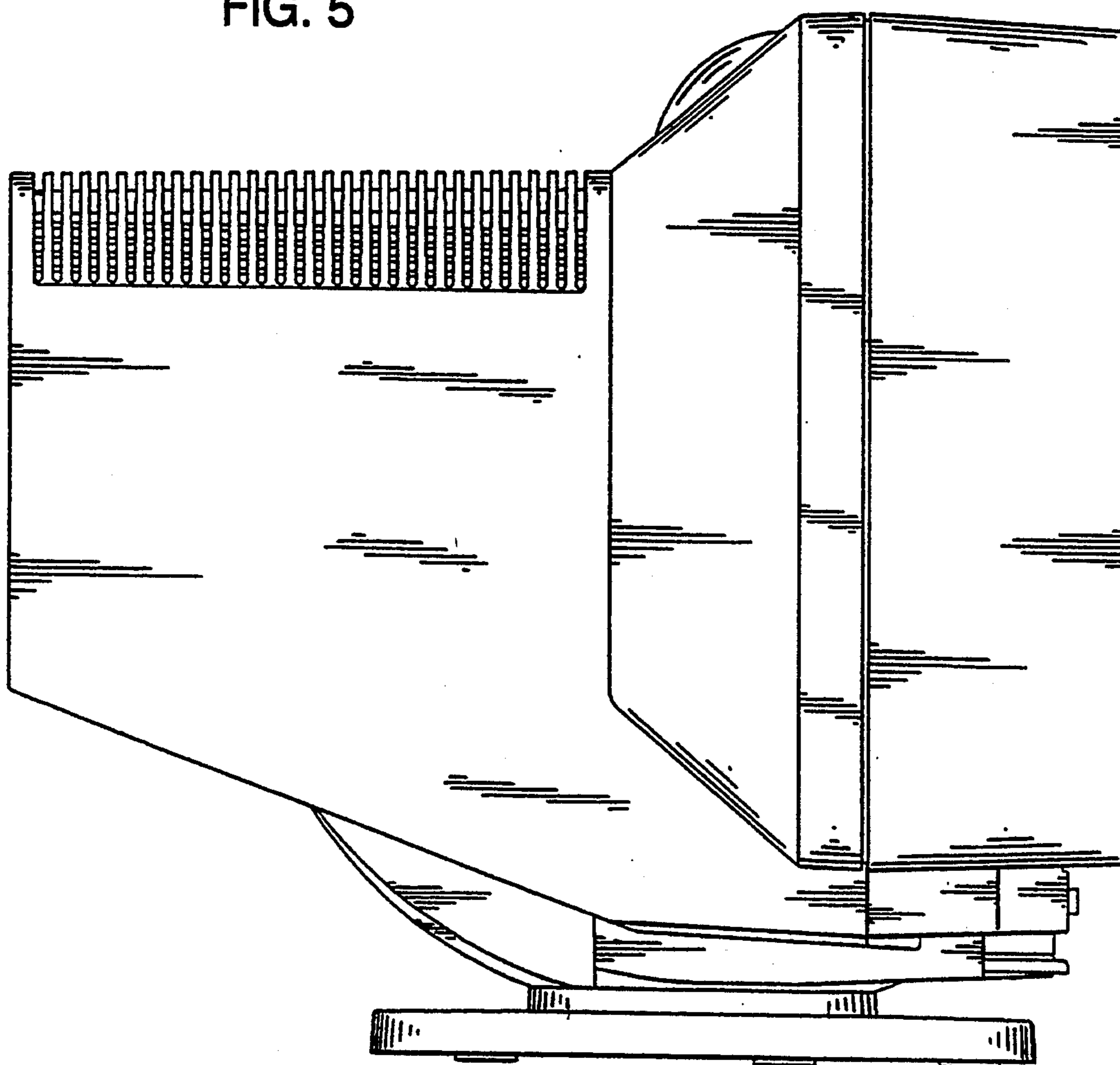


FIG. 6

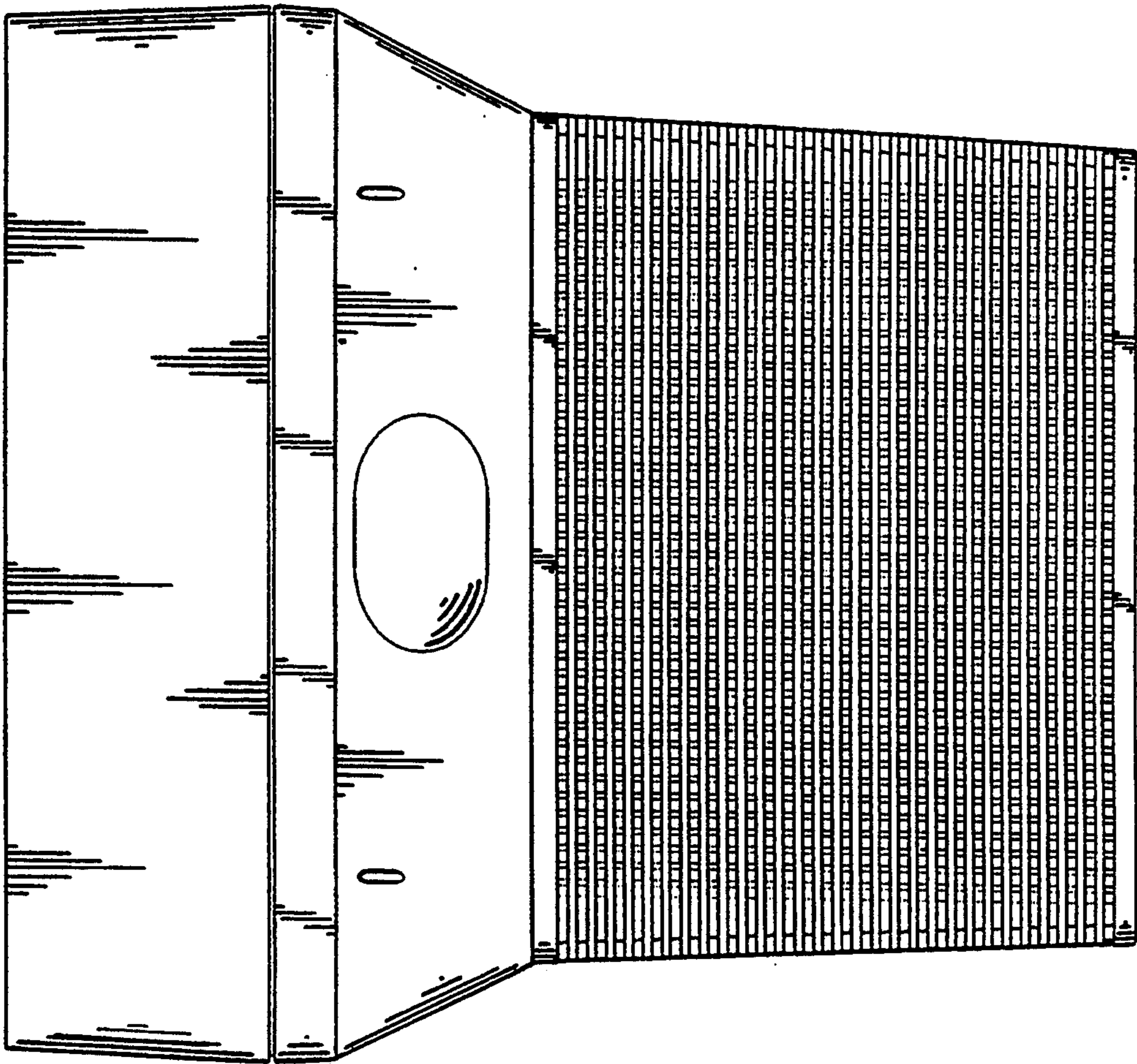


FIG. 7

