



US00D352929S

# United States Patent [19]

[11] Patent Number: **Des. 352,929**

Sato

[45] Date of Patent: **\*\* Nov. 29, 1994**

[54] **FEMALE CONNECTOR FOR SURFACE MOUNTING**

[75] Inventor: **Kiyoshi Sato, Tokyo, Japan**

[73] Assignee: **Honda Tsushin Kogyo Kabushiki Kaisha, Tokyo, Japan**

[\*\*] Term: **14 Years**

[21] Appl. No.: **5,481**

[22] Filed: **Feb. 25, 1993**

[30] **Foreign Application Priority Data**

Aug. 31, 1992 [JP] Japan ..... 4-25788

[52] U.S. Cl. .... **D13/147**

[58] Field of Search ..... 439/95, 247, 248, 306, 439/309, 327, 329, 344, 345, 352, 557, 564, 571, 573, 607, 610, 629, 676; D13/146, 147

[56] **References Cited**

**U.S. PATENT DOCUMENTS**

- D. 313,007 12/1990 Nakamura ..... D13/147
- D. 332,598 1/1993 Kikuta et al. .... D13/147
- D. 332,599 1/1993 Kikuta et al. .... D13/147
- 4,113,337 9/1978 McKee ..... 439/557 X
- 4,124,267 11/1978 Mines et al. .... 439/557 X

- 4,647,130 3/1987 Blair et al. .... 439/248
- 4,664,458 5/1987 Worth ..... 439/82
- 4,812,133 3/1989 Fleak et al. .... 439/248
- 4,911,659 3/1990 Viselli ..... D13/147 X
- 4,938,704 7/1990 Fujiura ..... 439/95
- 5,184,964 2/1993 Douty et al. .... D13/147 X
- 5,228,873 7/1993 Hirai ..... 439/607

*Primary Examiner*—Wallace R. Burke  
*Assistant Examiner*—Joel Sincavage  
*Attorney, Agent, or Firm*—Richard C. Litman

[57] **CLAIM**

The ornamental design for a female connector for surface mounting, as shown and described.

**DESCRIPTION**

FIG. 1 is a front, right side, bottom perspective view of a female connector for surface mounting;  
FIG. 2 is a front view thereof;  
FIG. 3 is a rear view thereof;  
FIG. 4 is a plan view thereof;  
FIG. 5 is a bottom view thereof;  
FIG. 6 is a right side view thereof;  
FIG. 7 is an enlarged vertical sectional view thereof, taken along the line VII—VII of FIG. 2; and,  
FIG. 8 is an enlarged vertical sectional view thereof, taken along the line VIII—VIII of FIG. 2.

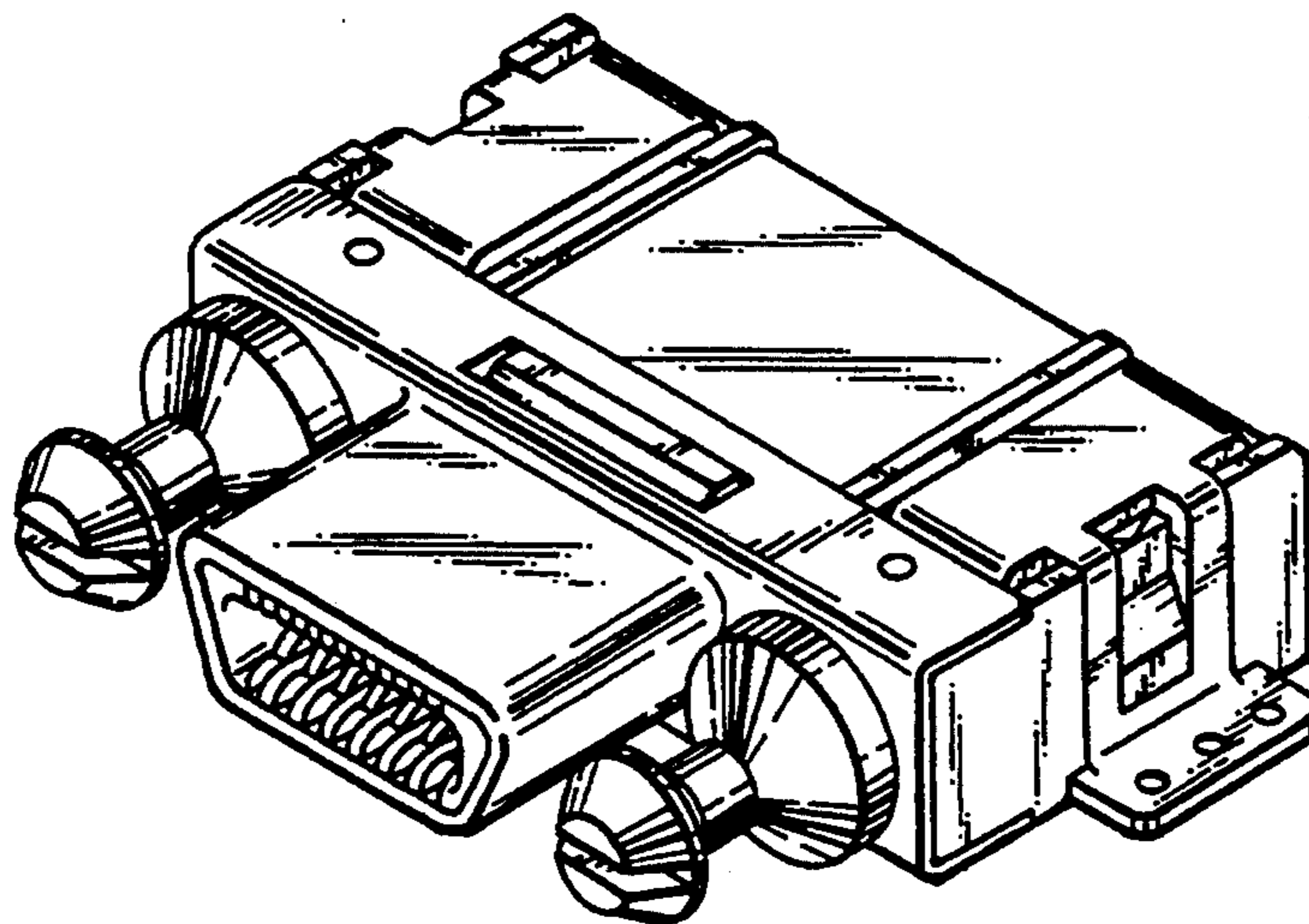


FIG. 1

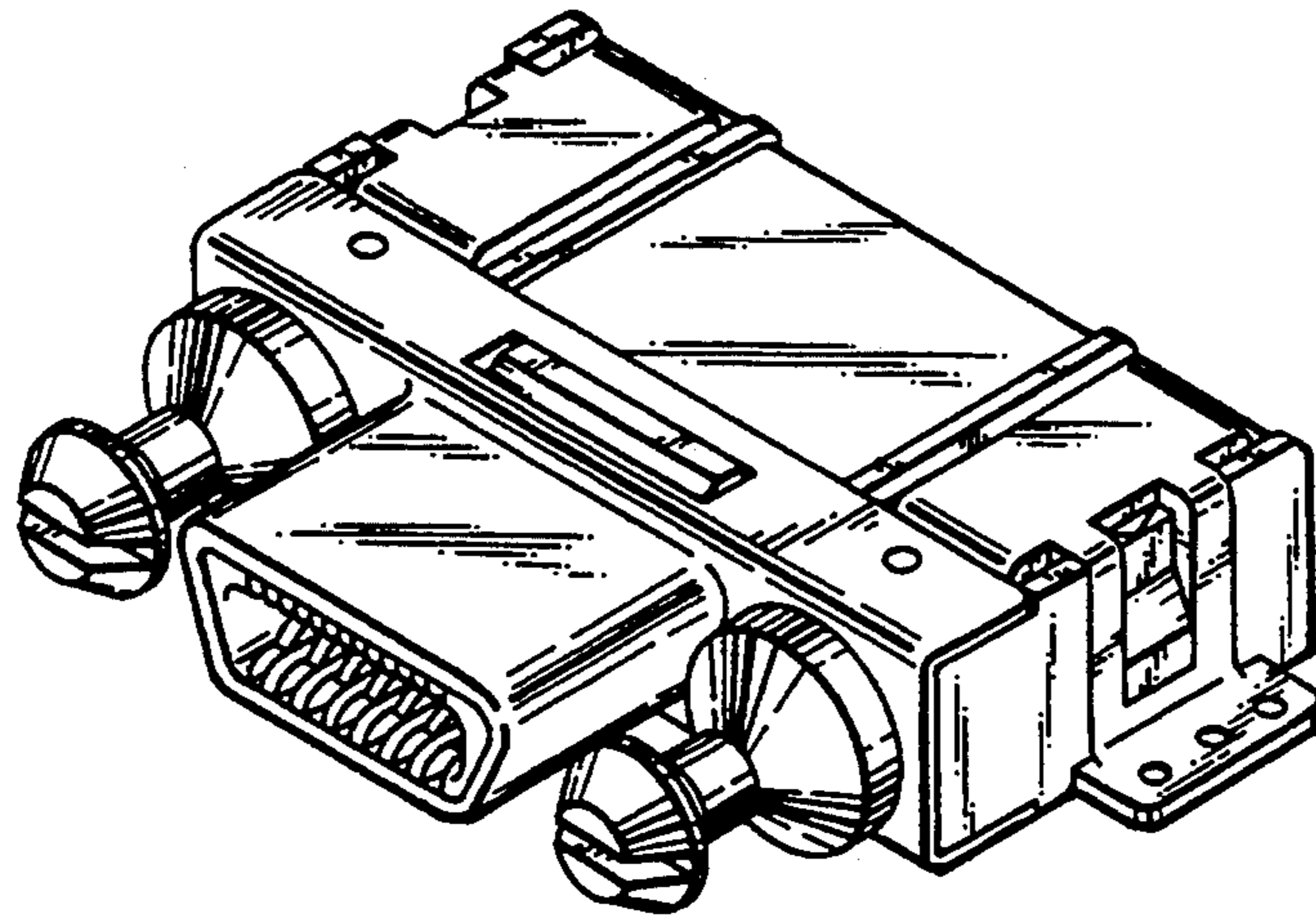


FIG. 2

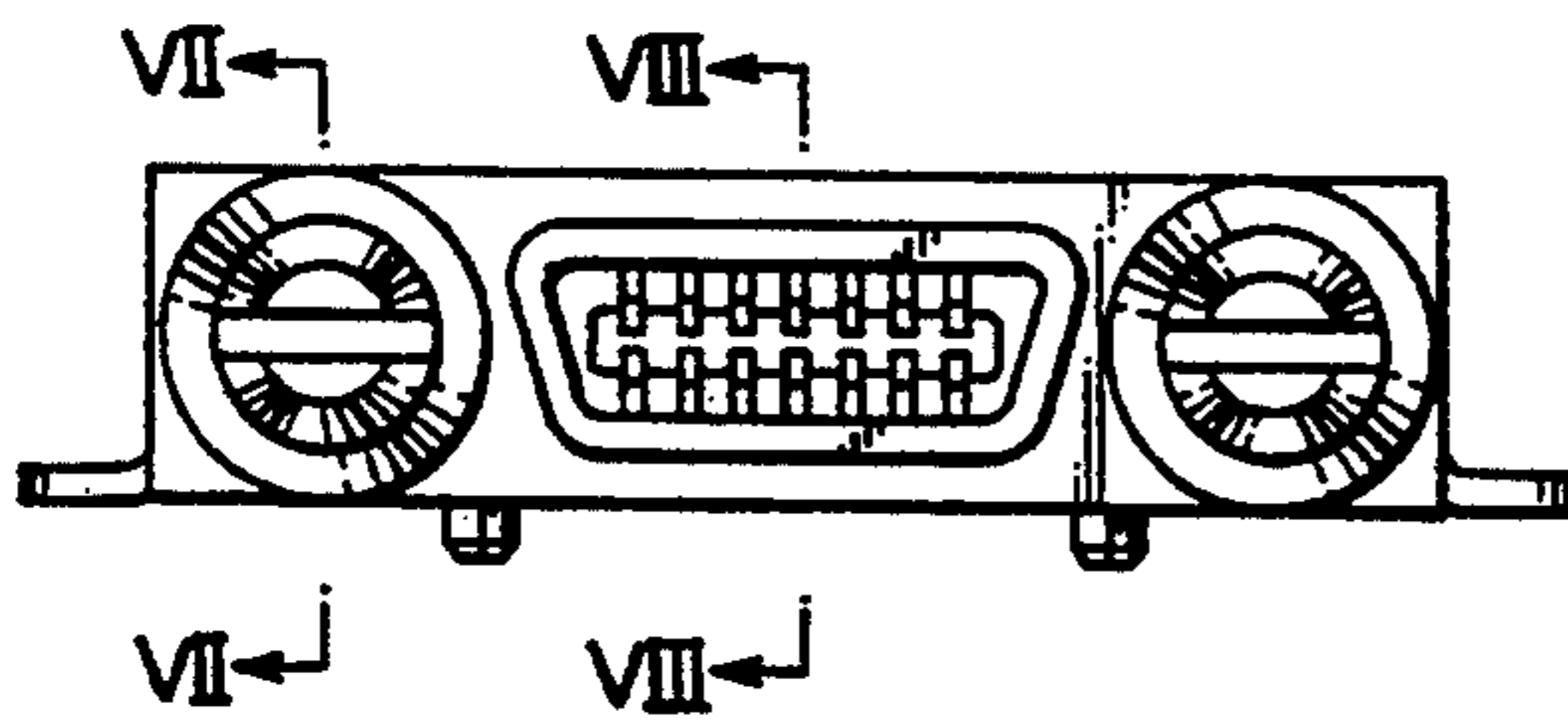


FIG. 3

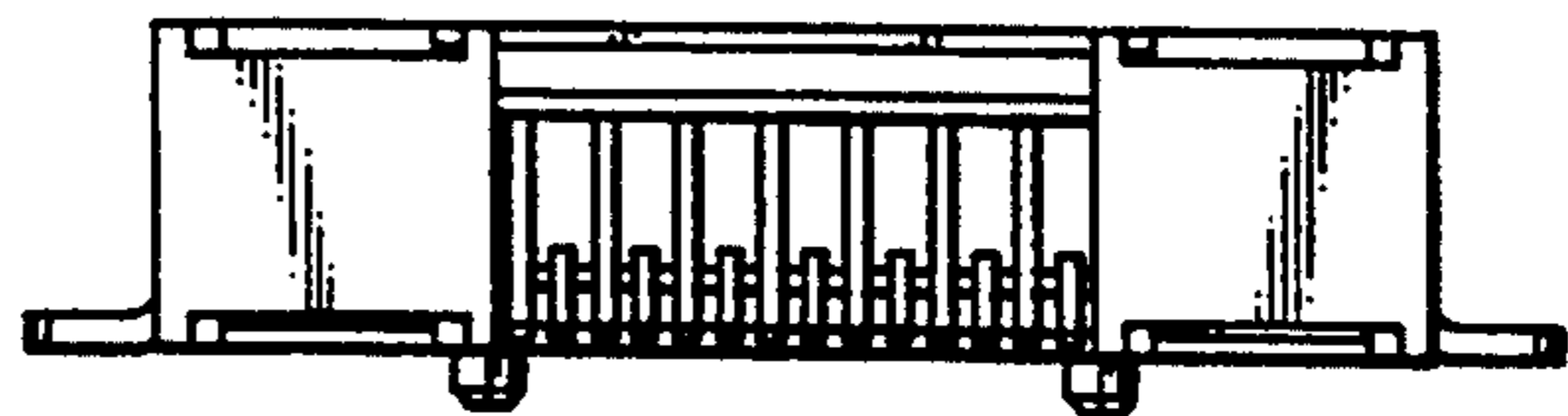


FIG. 4

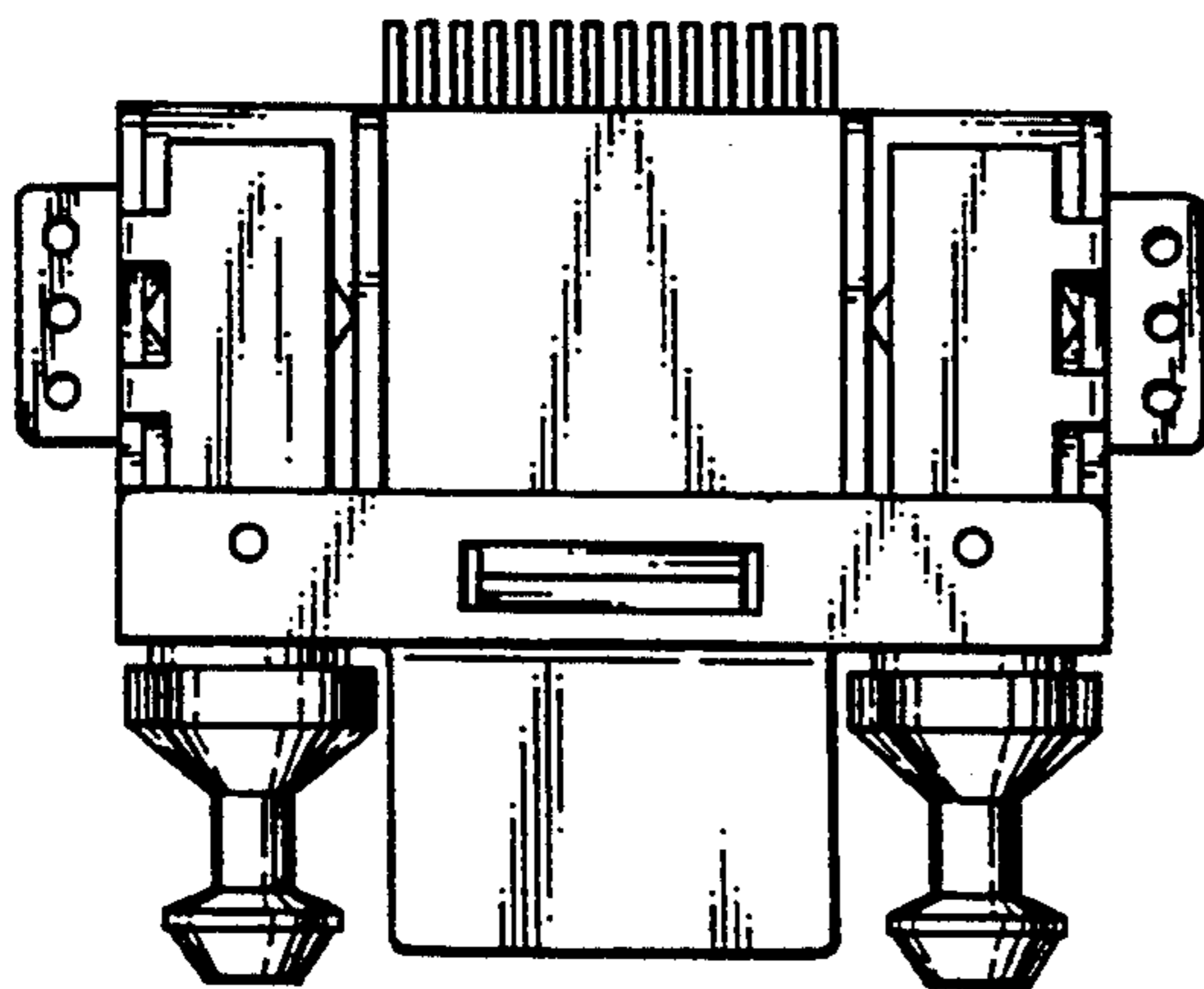


FIG. 5

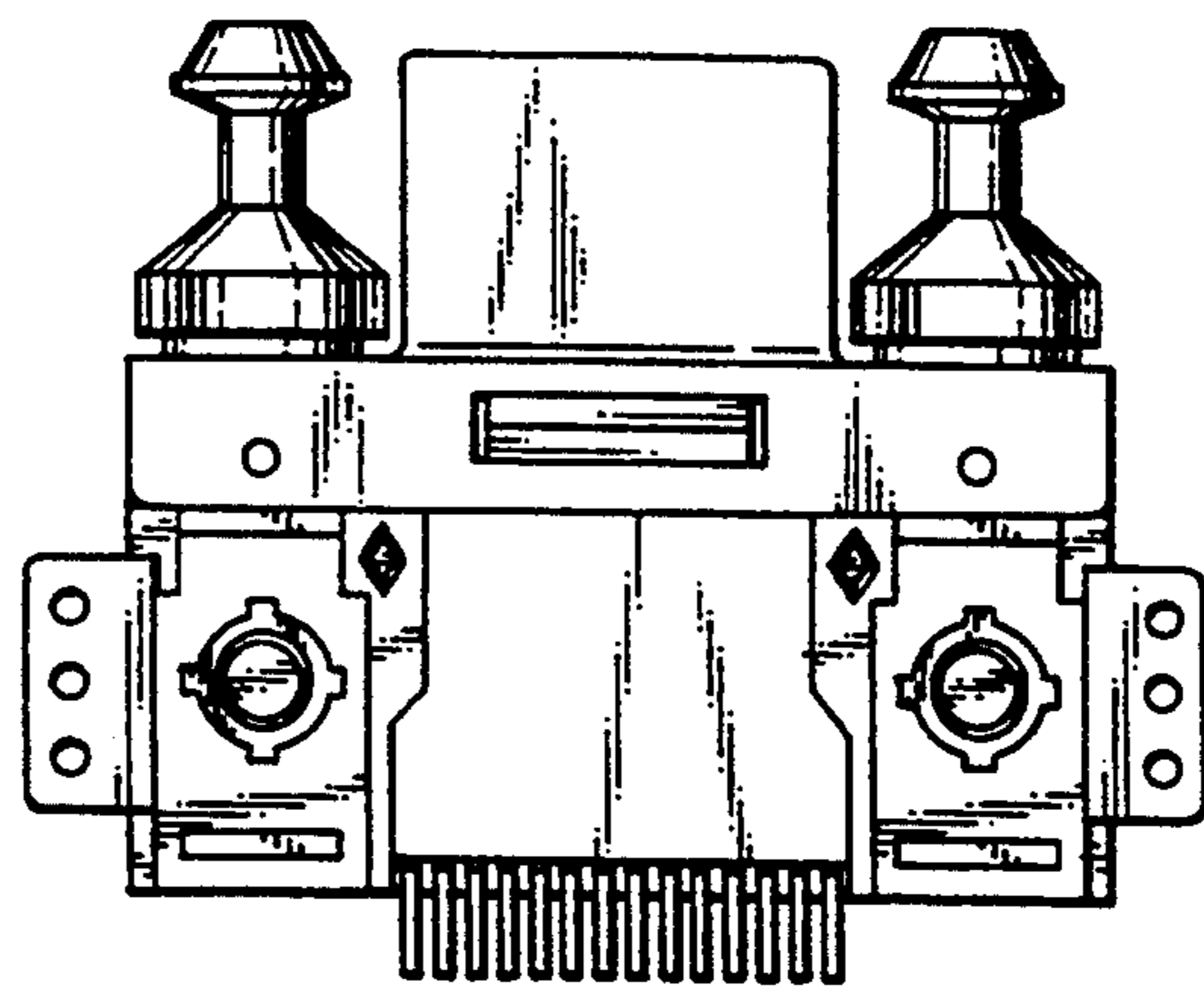


FIG. 6

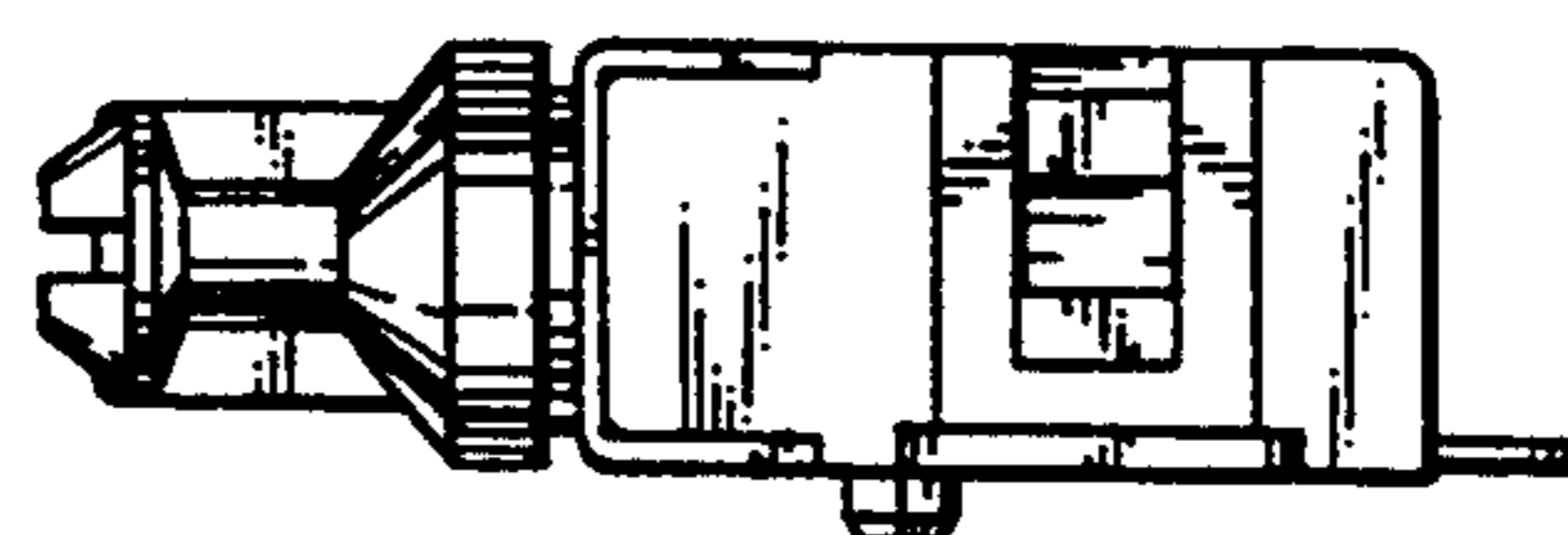


FIG. 7

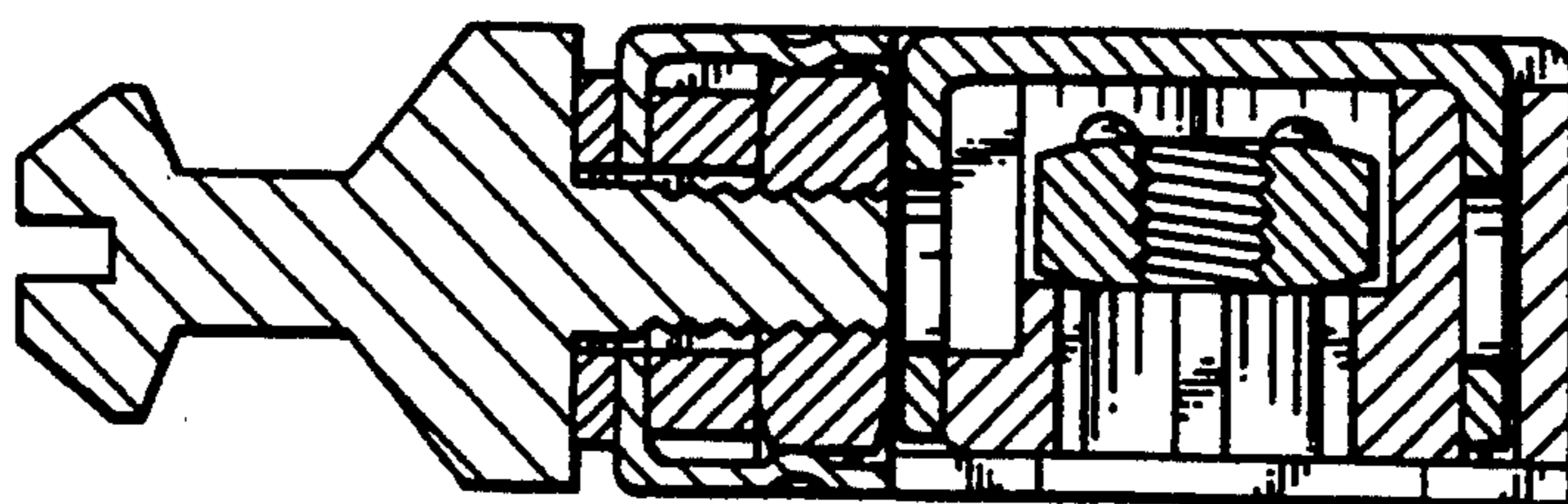


FIG. 8

