



US00D352925S

**United States Patent** [19]  
**Eckhart**

[11] **Patent Number: Des. 352,925**  
[45] **Date of Patent: \*\* Nov. 29, 1994**

[54] **CARRIER FOR SKIS AND SKI POLES**

[76] **Inventor: Richard A. Eckhart, P.O. Box 7299, Thousand Oaks, Calif. 91359**

[\*\*] **Term: 14 Years**

[21] **Appl. No.: 6,790**

[22] **Filed: Apr. 7, 1993**

[52] **U.S. Cl. .... D12/406**

[58] **Field of Search ..... 224/273, 42.07, 42.42, 224/42.45 R, 42.46 R, 917; D12/157, 406**

[56] **References Cited**

**U.S. PATENT DOCUMENTS**

- D. 327,043 6/1992 Ott et al. .... D12/157
- D. 343,151 1/1994 Eckhart ..... D12/157

*Primary Examiner*—James M. Gandy  
*Attorney, Agent, or Firm*—Ashen & Lippman

[57] **CLAIM**

The ornamental design for a carrier for skis and ski poles, as shown and described.

**DESCRIPTION**

FIG. 1 is a perspective view of the top front and one side of a carrier for skis and ski poles showing my new design, it being understood that the opposite side is a mirror image of that shown;

FIG. 2 is a top plan view of the upper holder unit of the carrier, shown separately for clarity of illustration;

FIG. 3 is a front view of the upper holder unit;

FIG. 4 is a bottom view of the upper holder unit;

FIG. 5 is a rear view of the upper holder unit;

FIG. 6 is one side view of the upper holder unit;

FIG. 7 is the other side view of the upper holder unit;

FIG. 8 is a top plan view of the lower holder unit of the carrier, shown separately for clarity of illustration;

FIG. 9 is a front view of the lower holder unit;

FIG. 10 is a bottom view of the lower holder unit;

FIG. 11 is a rear view of the lower holder unit;

FIG. 12 is one side view of the lower holder unit;

FIG. 13 is the other side view of the holder carrier unit; and,

FIG. 14 is a rear elevational view of the carrier, omitting the upper and lower holder units for convenience of illustration.

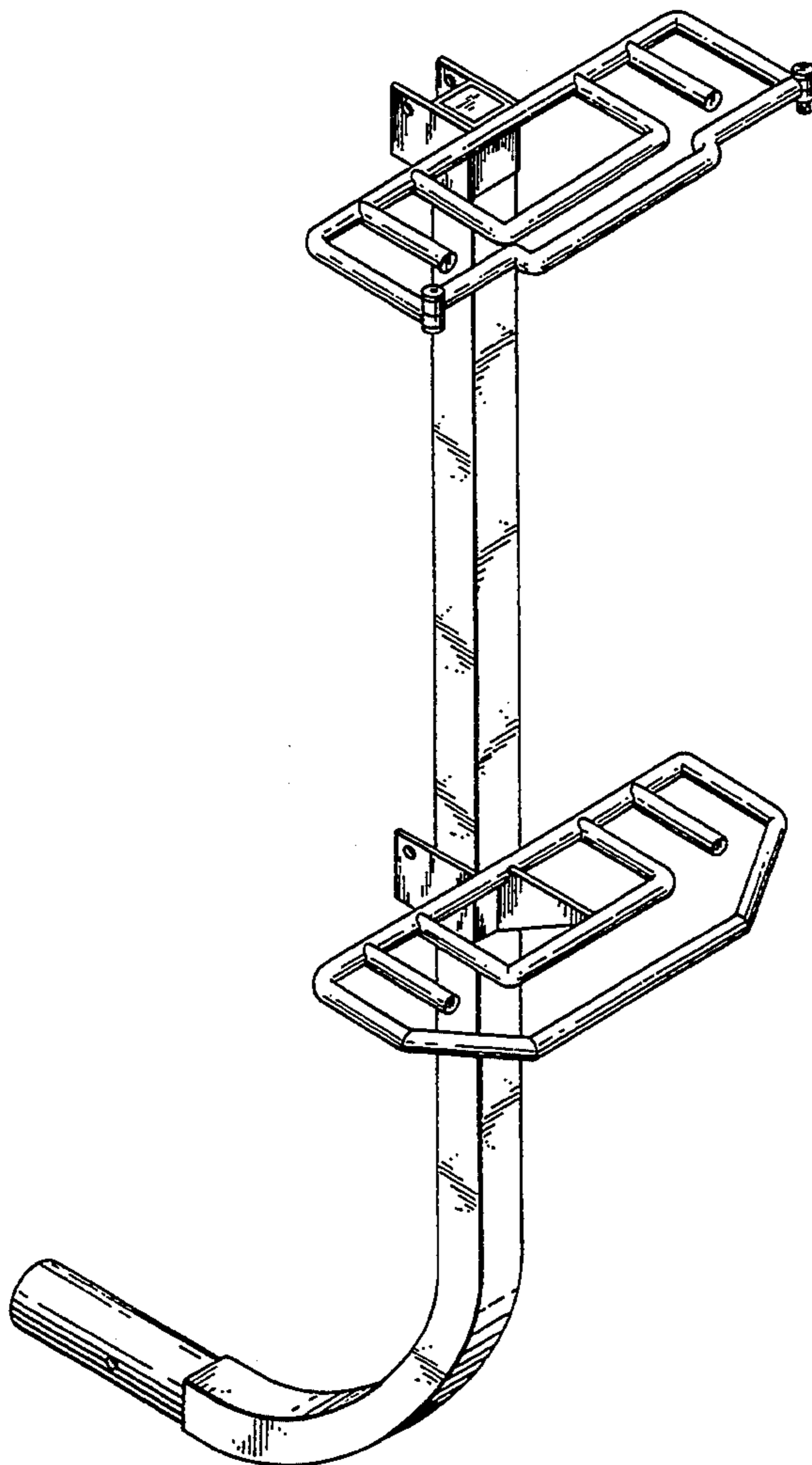


FIG. 1

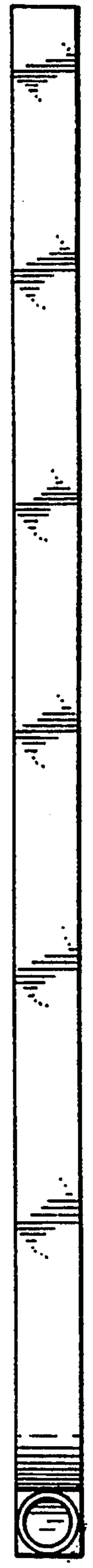
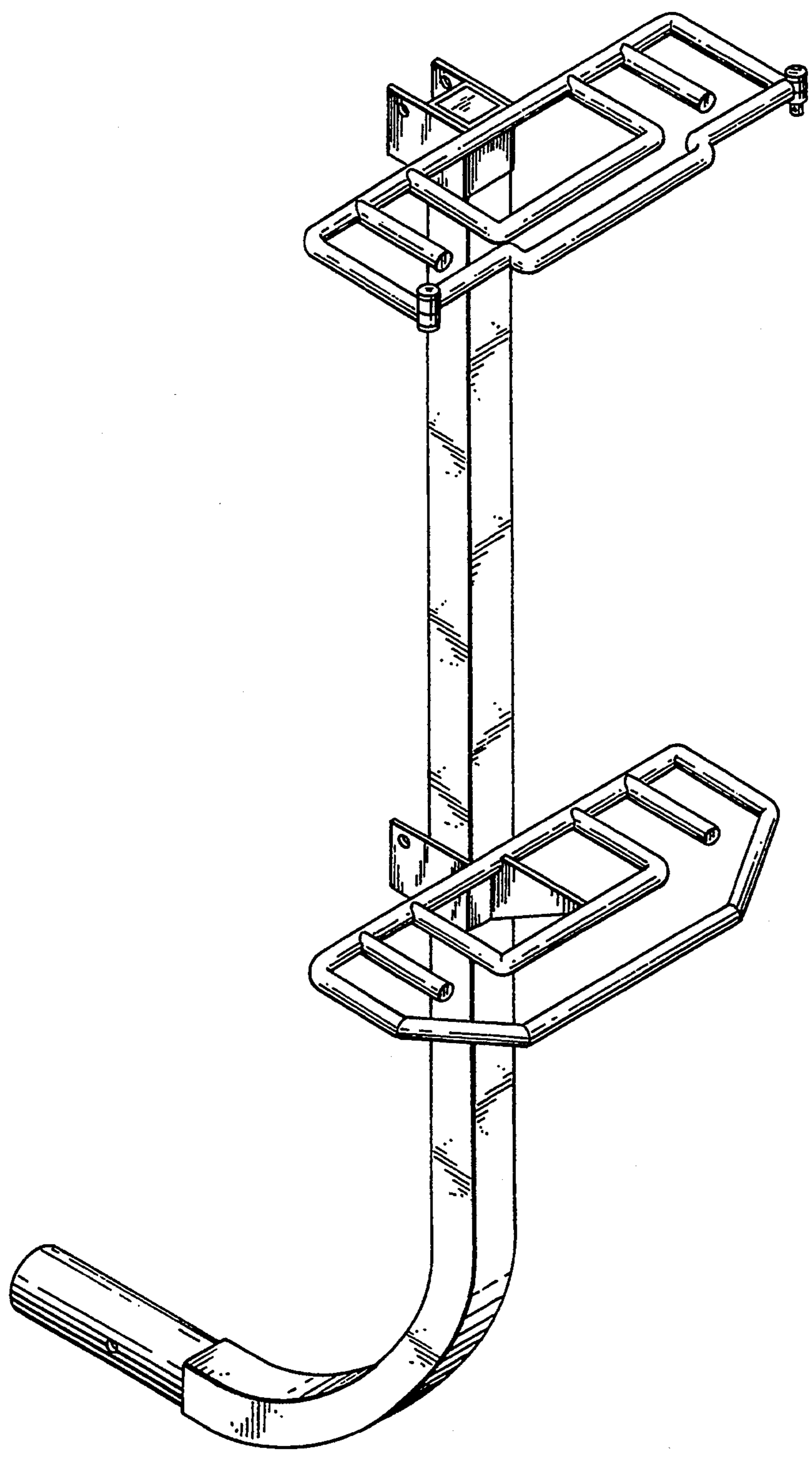


FIG. 14

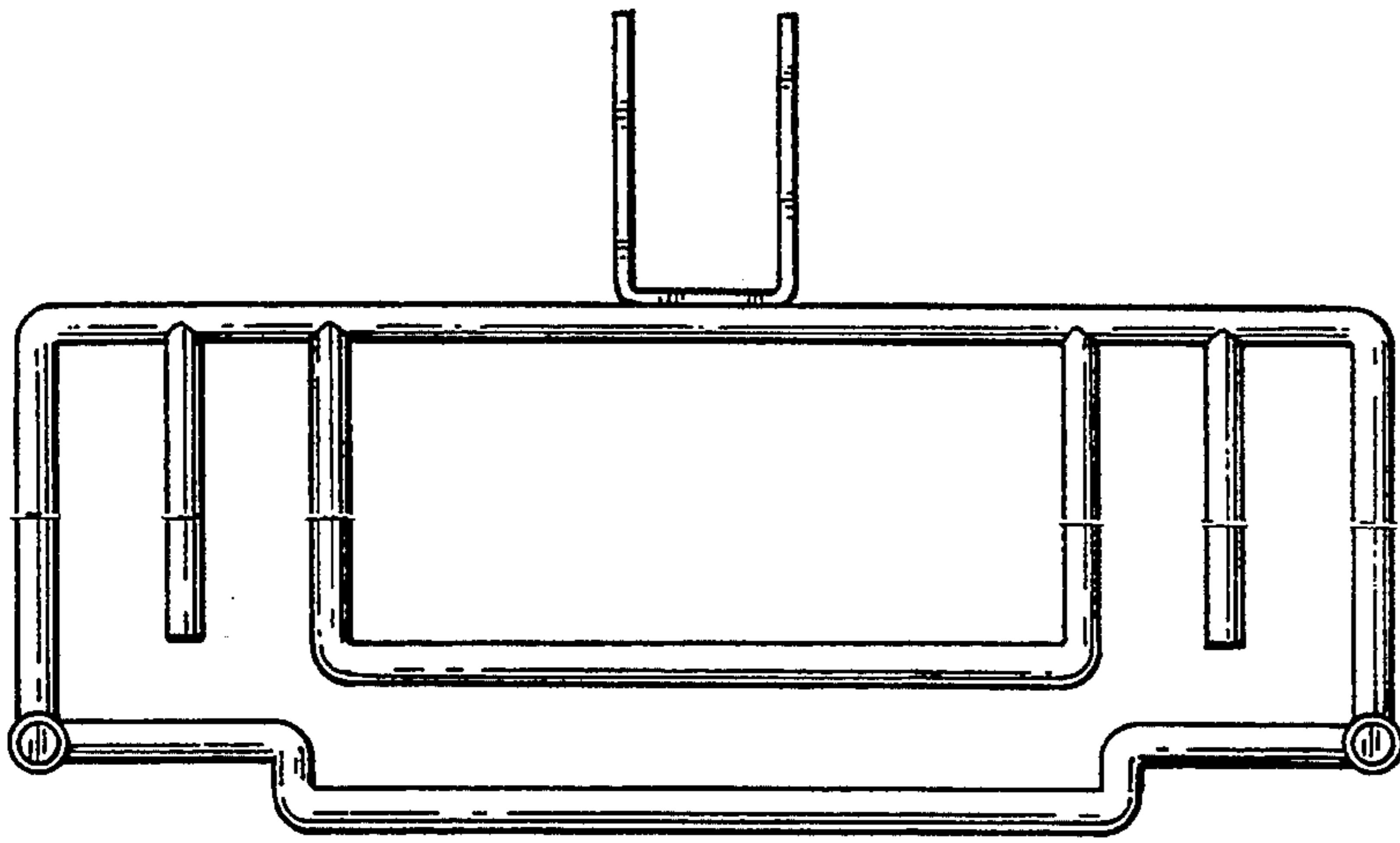


FIG. 2

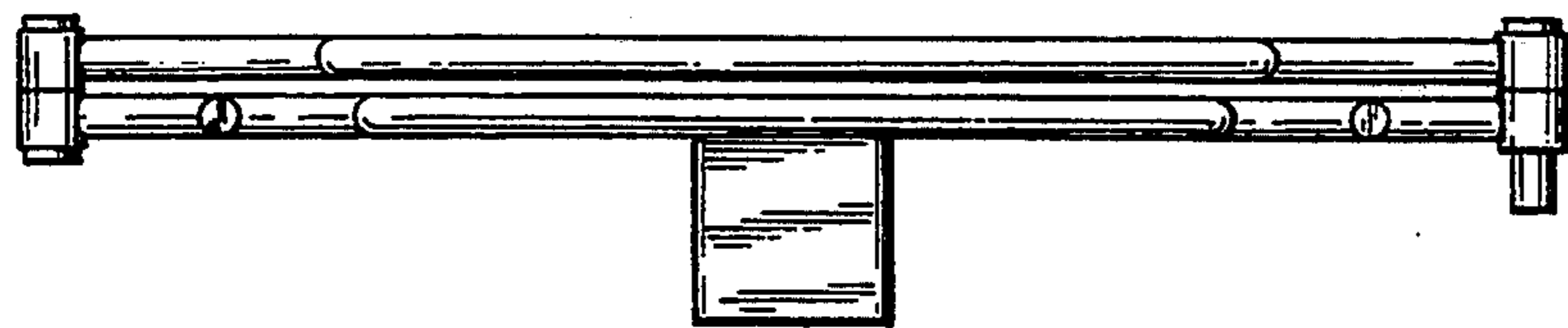


FIG. 3

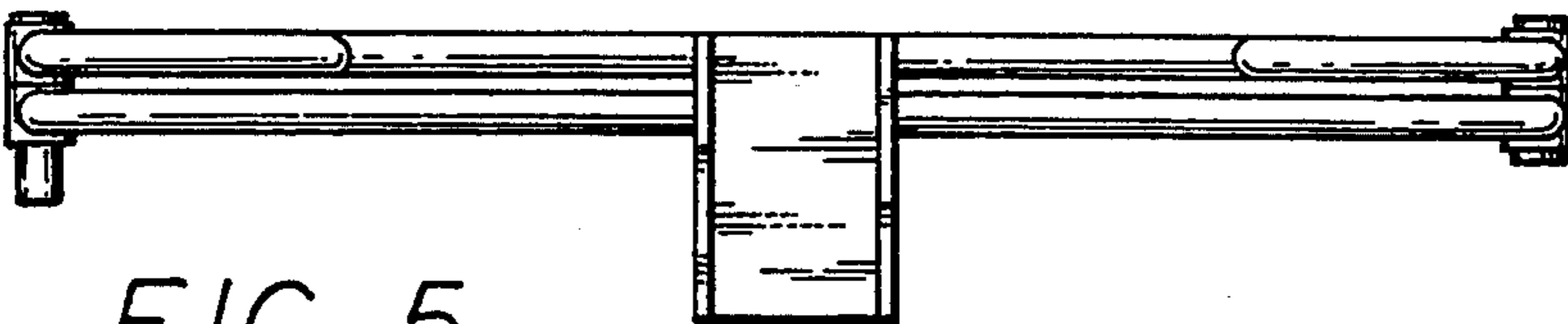


FIG. 5

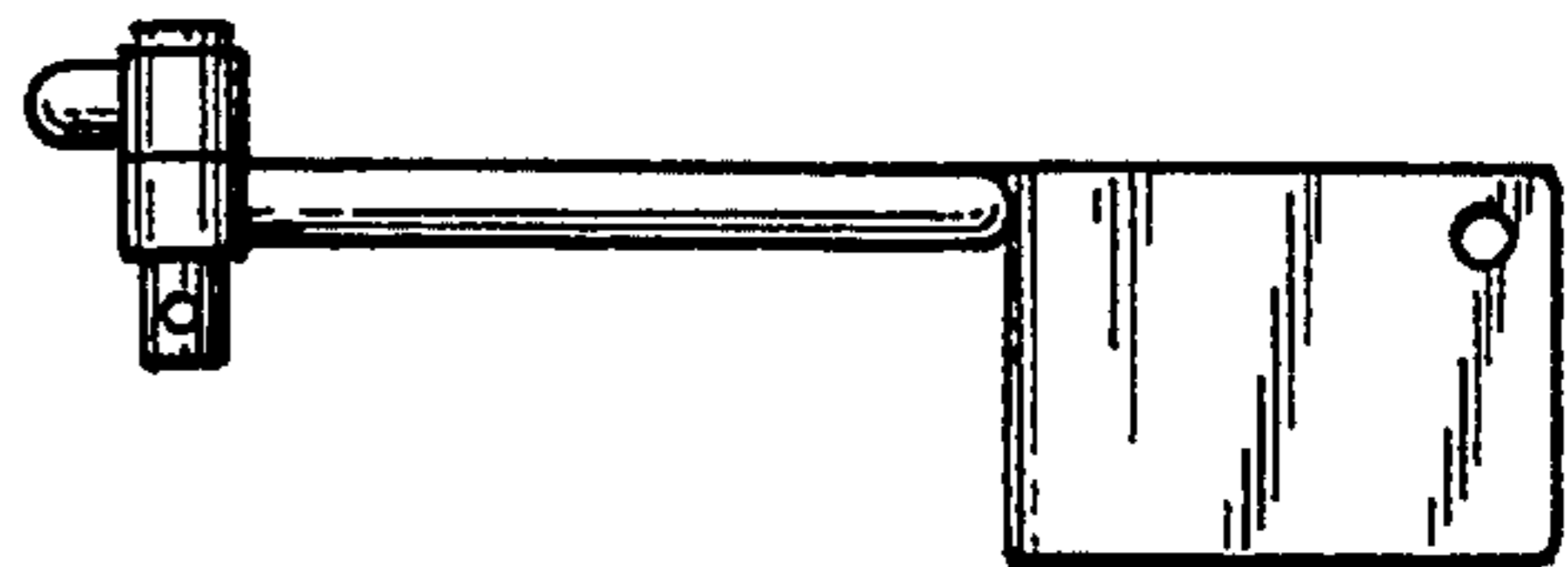


FIG. 6

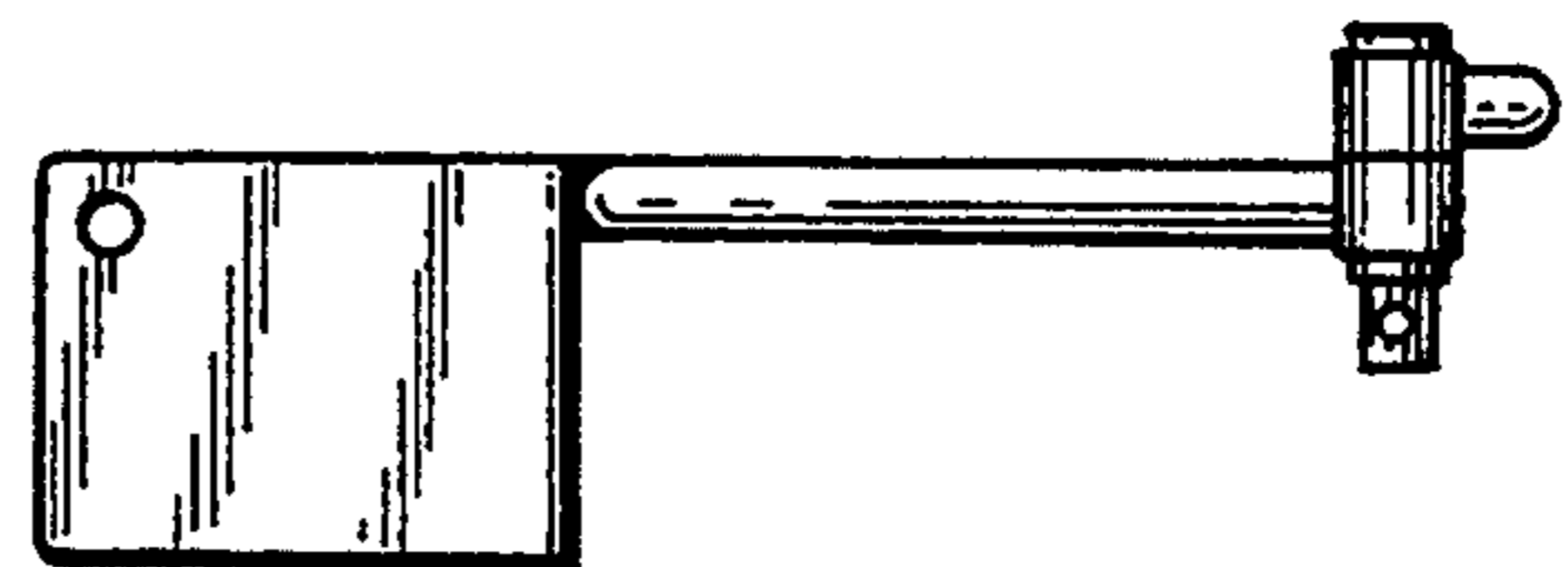


FIG. 7

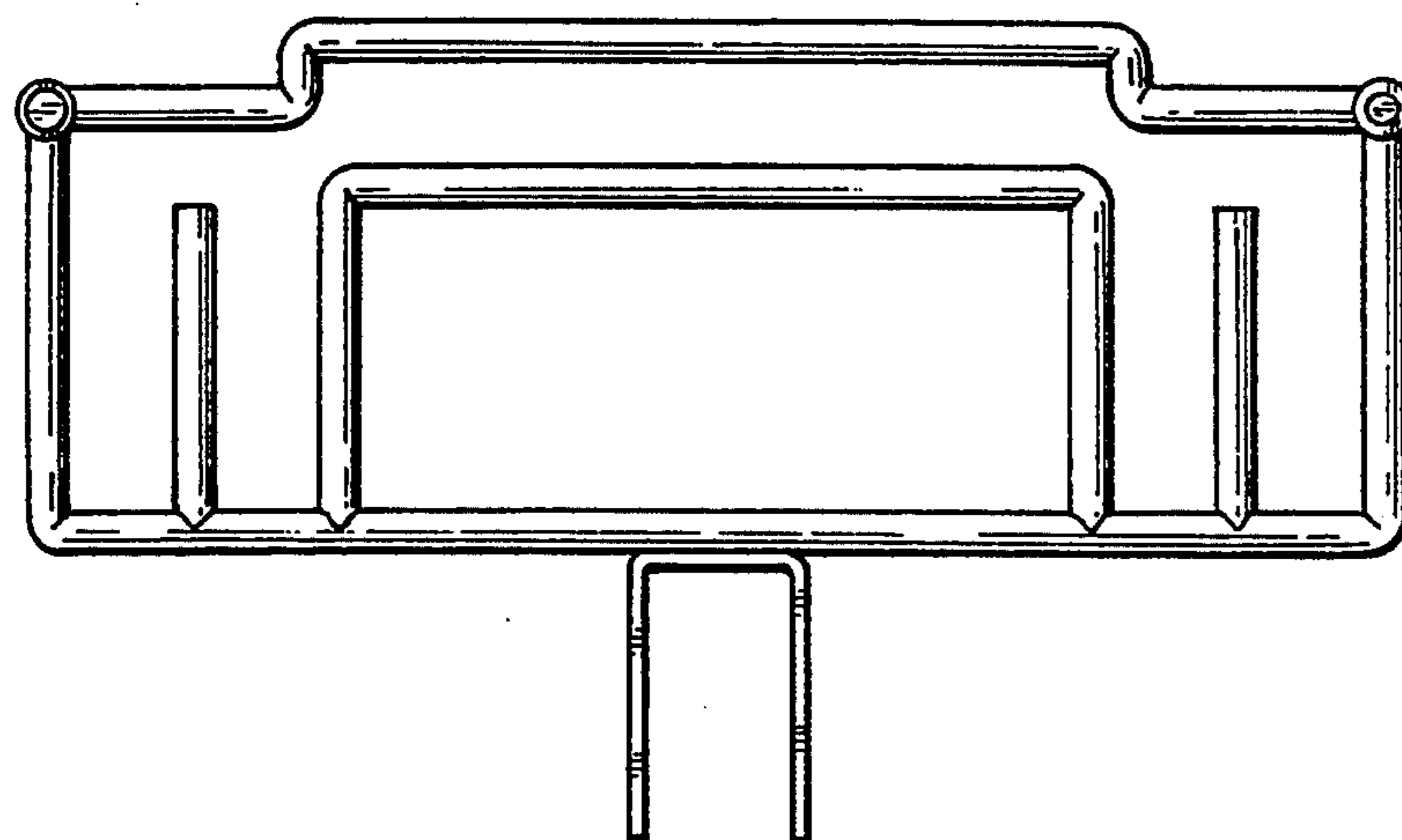


FIG. 4

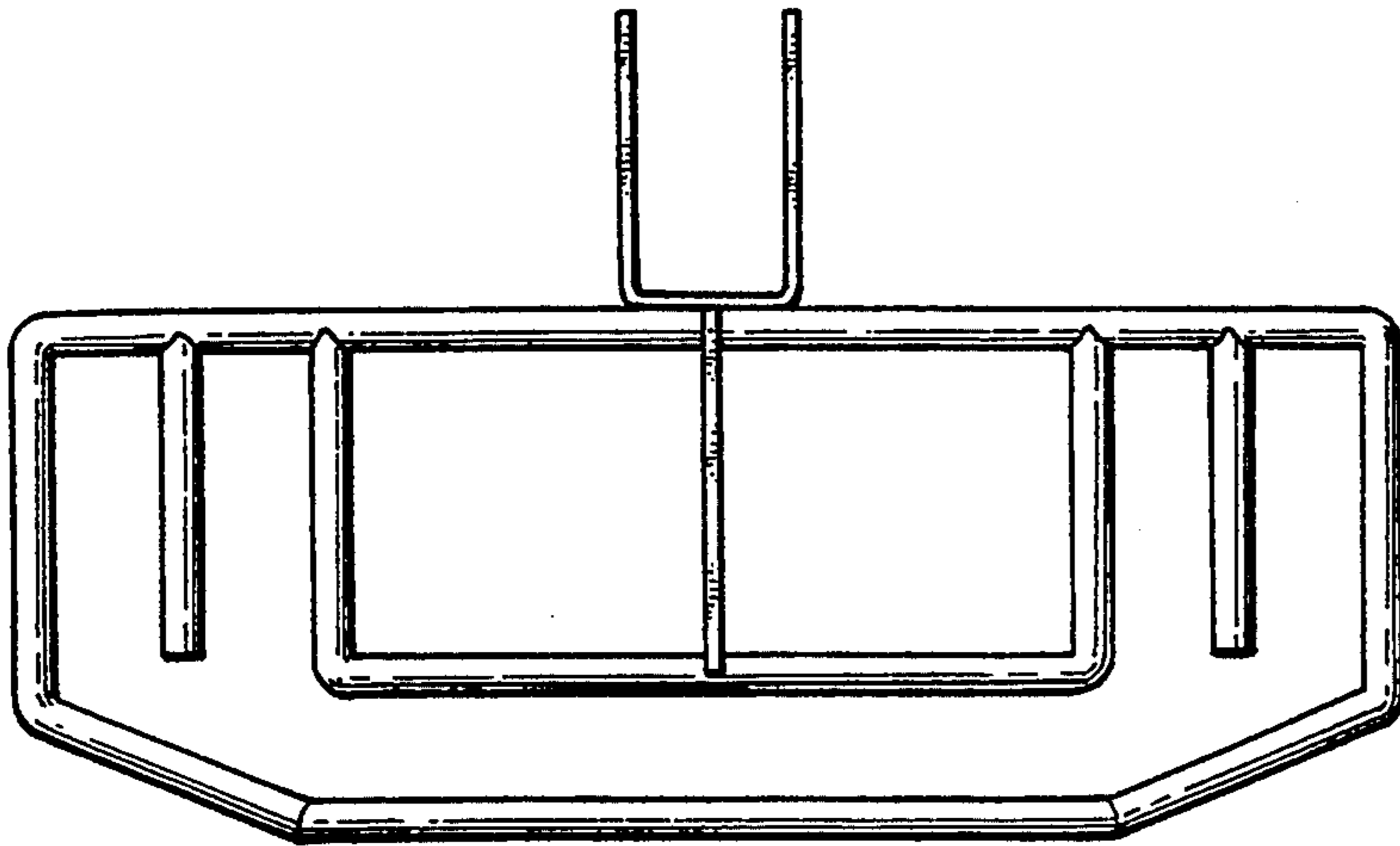


FIG. 8

FIG. 12

FIG. 9

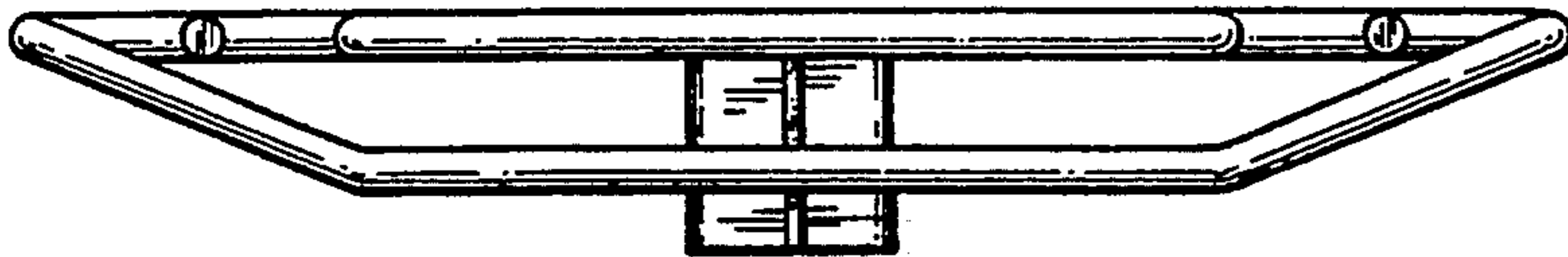
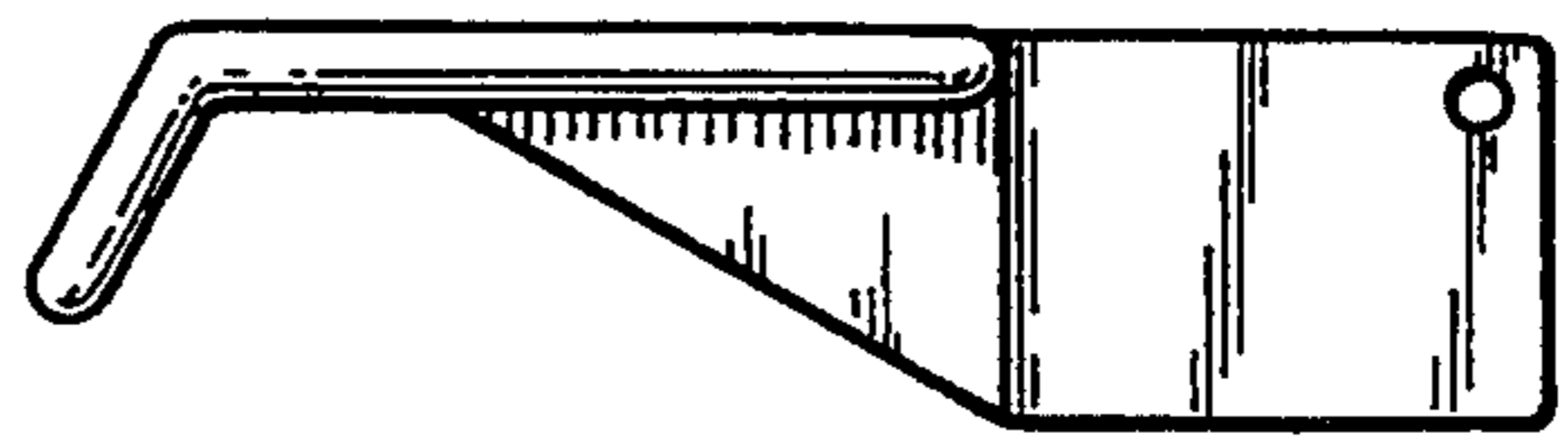


FIG. 11

FIG. 13

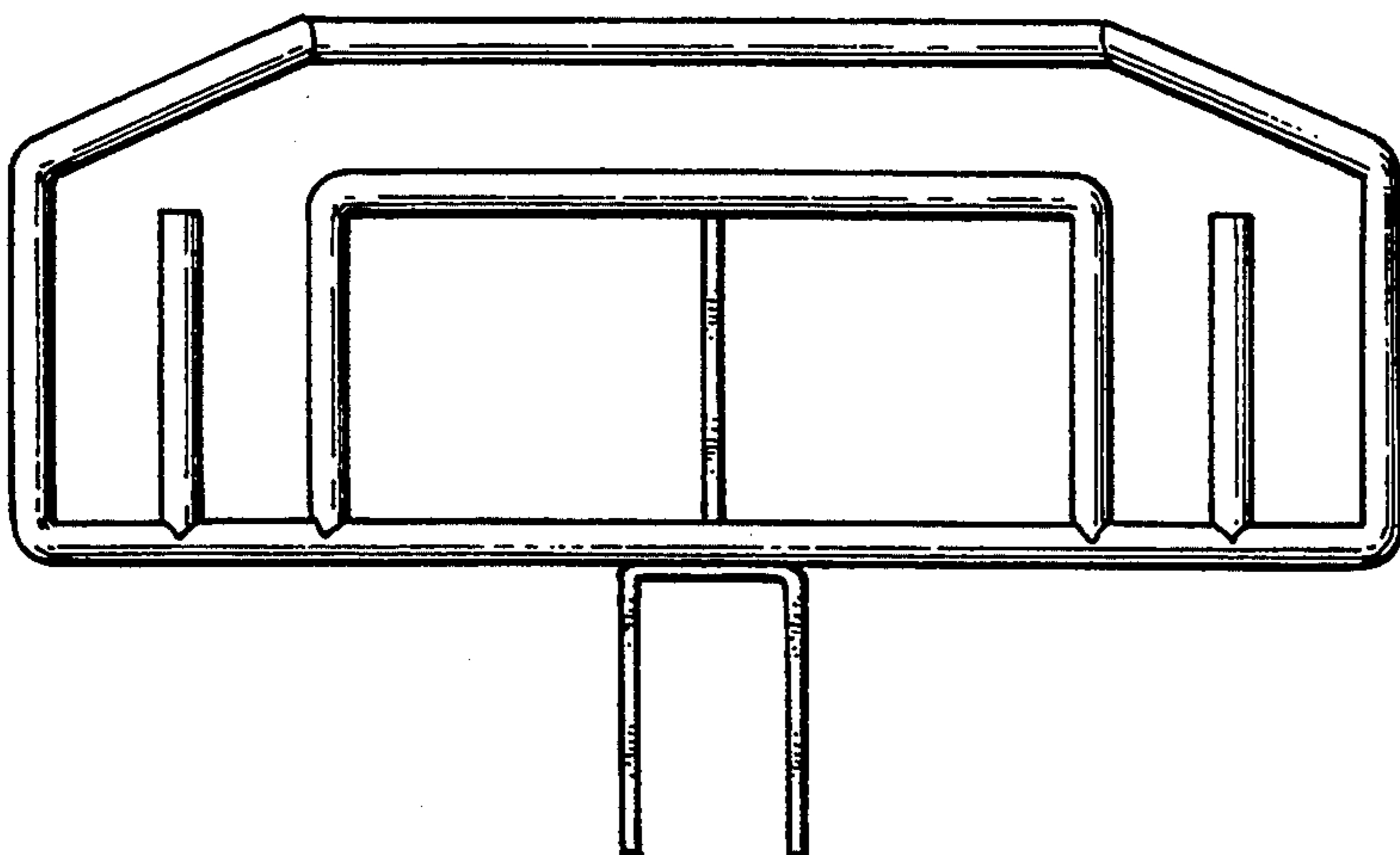
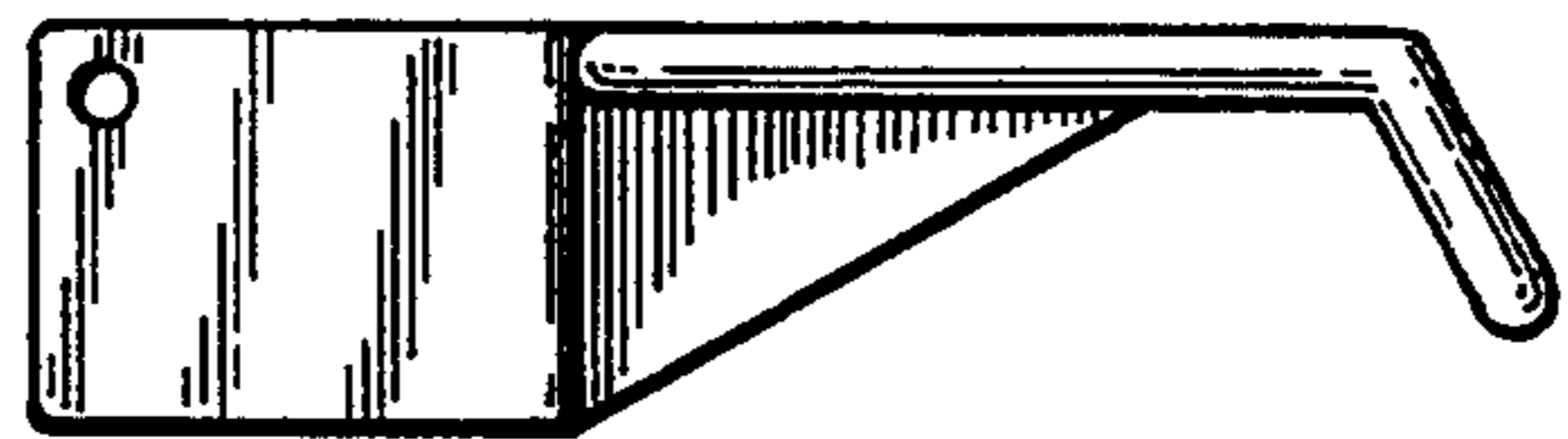
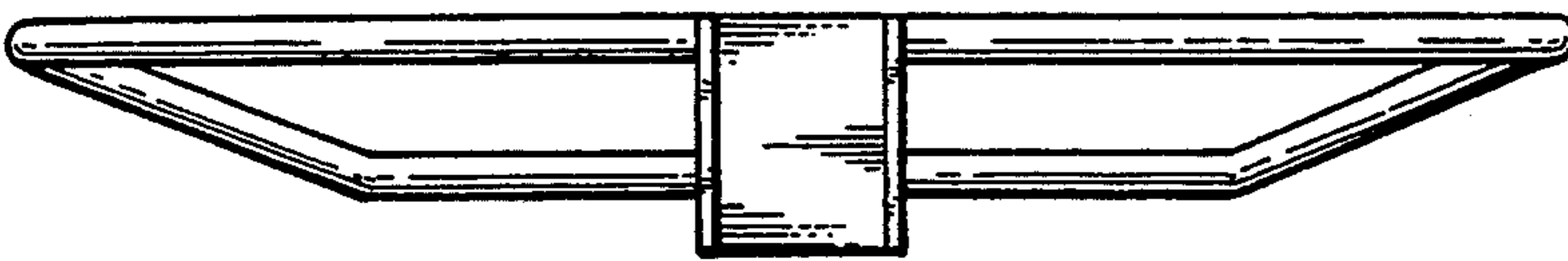


FIG. 10