



US00D352923S

United States Patent [19]

[11] Patent Number: **Des. 352,923**

Kassai

[45] Date of Patent: **** Nov. 29, 1994**

[54] **BABY CARRIAGE**

[75] Inventor: **Kenzou Kassai**, Osaka, Japan

[73] Assignee: **Aprica Kassai Kabushikikaisha**,
Osaka, Japan

[**] Term: **14 Years**

[21] Appl. No.: **5,974**

[22] Filed: **Mar. 15, 1993**

[30] **Foreign Application Priority Data**

Sep. 17, 1992 [JP] Japan 4-27478

[52] U.S. Cl. **D12/129**

[58] Field of Search 280/650, 648, 642, 658,
280/644, 642, 655; 296/37.4, 35.4; D12/128,
129

[56] **References Cited**

U.S. PATENT DOCUMENTS

D. 308,656	6/1990	Takahashi et al.	D12/129
D. 329,832	9/1992	Ishikura et al.	D12/129
D. 345,128	3/1994	Kassai	D12/129
4,953,887	9/1990	Takahashi et al.	280/647
5,056,805	10/1991	Wang	280/47.36

Primary Examiner—**Kay H. Chin**

Attorney, Agent, or Firm—**W. G. Fasse; W. F. Fasse**

[57] **CLAIM**

The ornamental design for a baby carriage, as shown and described.

DESCRIPTION

FIG. 1 is a front view of a baby carriage showing my new design;

FIG. 2 is a rear view thereof;

FIG. 3 is a top plan view thereof;

FIG. 4 is a bottom plan view thereof;

FIG. 5 is a left side view thereof;

FIG. 6 is a right side view thereof;

FIG. 7 is a perspective view thereof;

FIG. 8 is a perspective view thereof with the backrest raised;

FIG. 9 is a perspective view thereof showing a folded state;

FIG. 10 is a perspective view thereof showing a state whose push rod is moved to a facing direction;

FIG. 11 is a referential perspective view thereof showing a state a hood is installed thereto;

FIG. 12 is a referential perspective view thereof showing a state a hood and a foot cover are installed thereto; and,

FIG. 13 is a referential perspective view thereof showing a state a hood and a basket are installed thereto.



FIG. 1

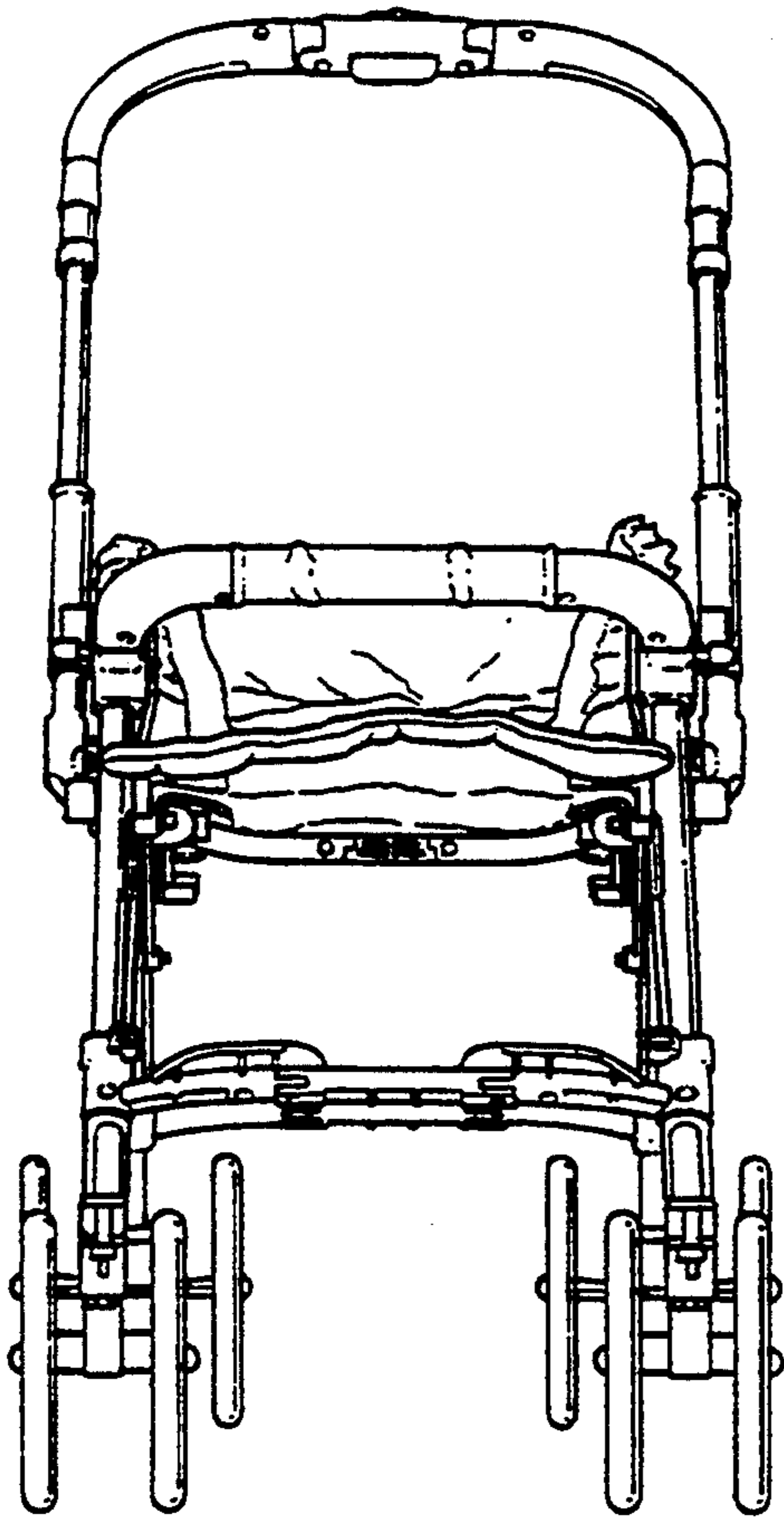


FIG. 2

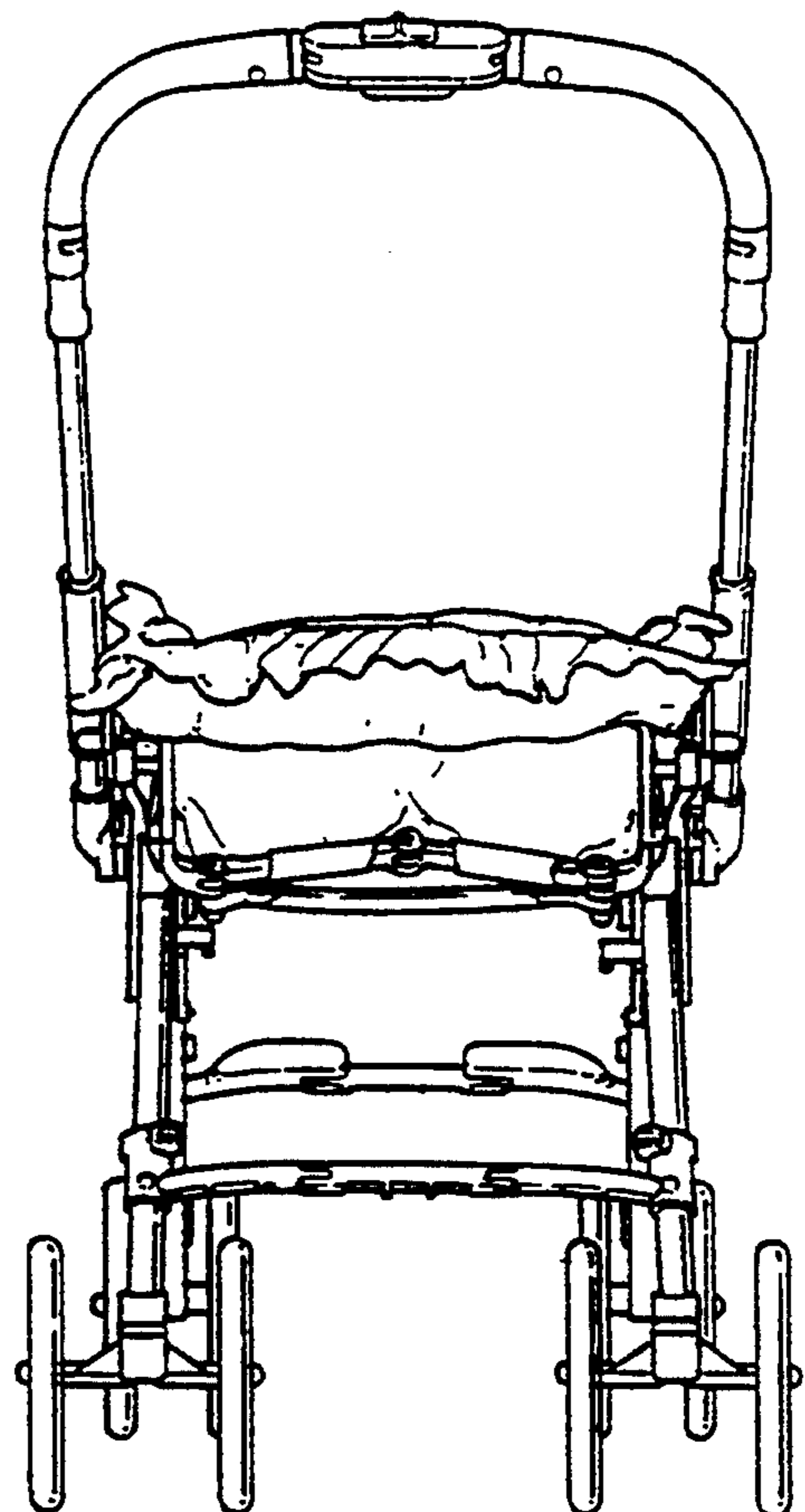


FIG. 3

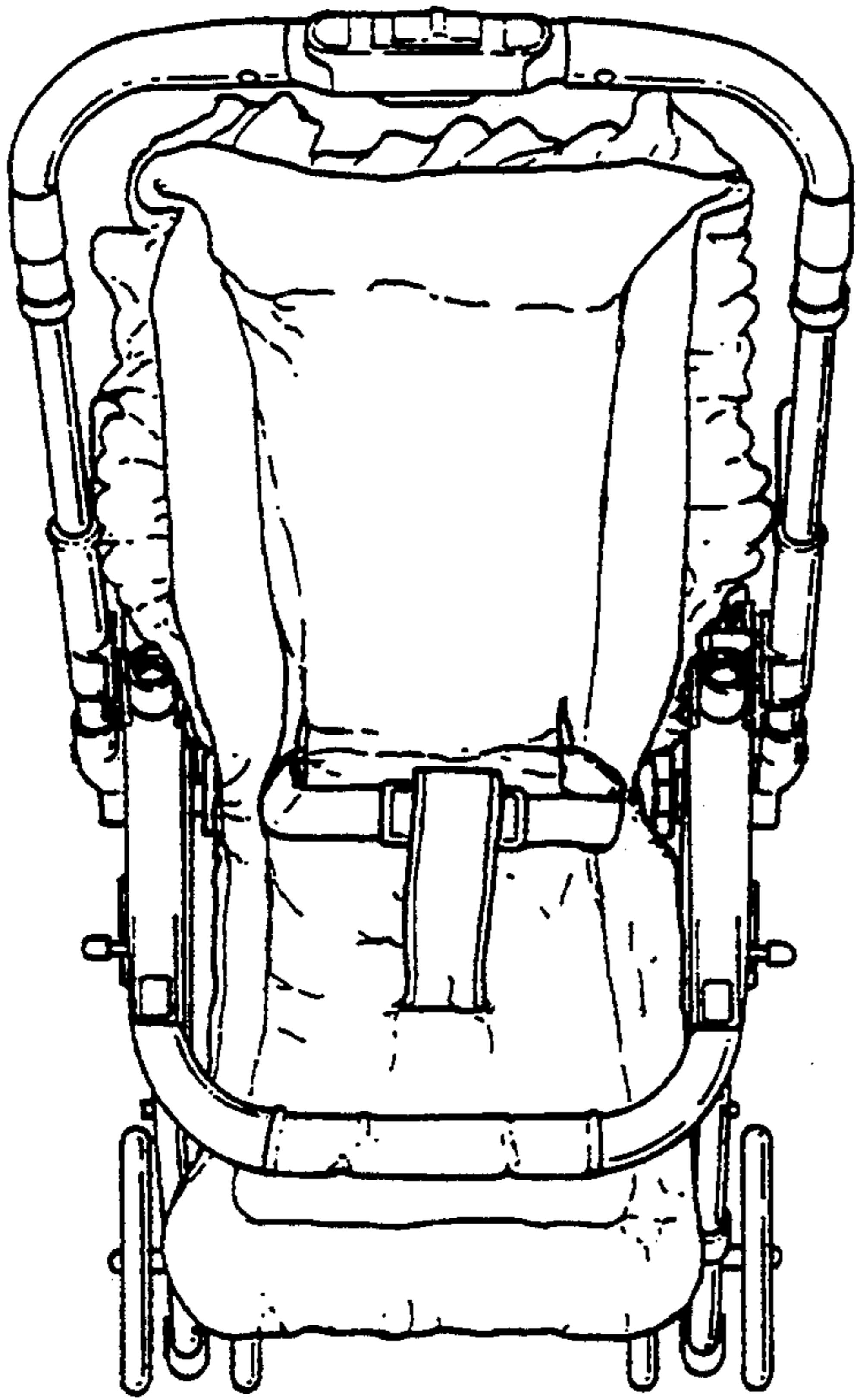


FIG. 4

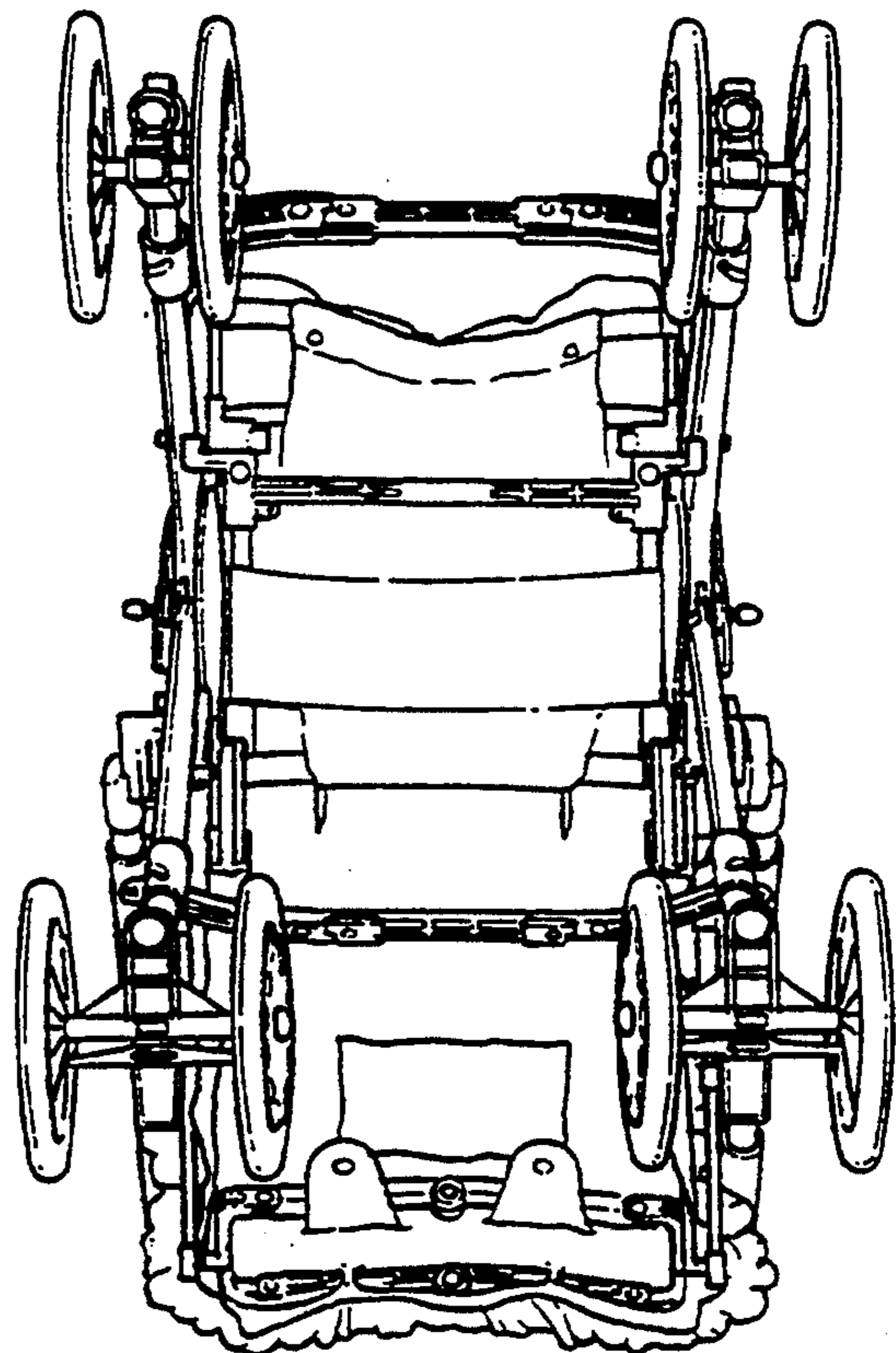


FIG. 5

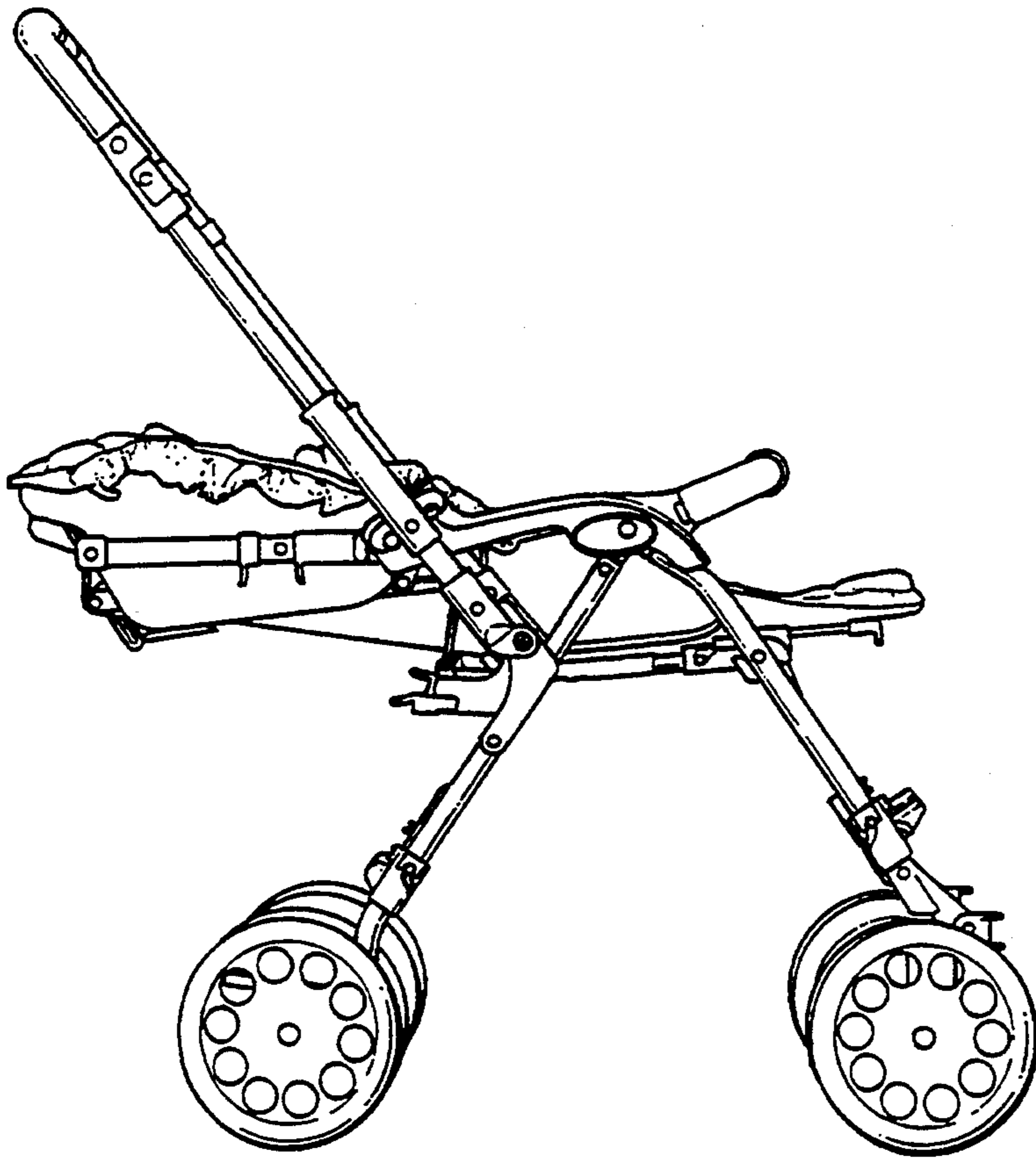


FIG. 6

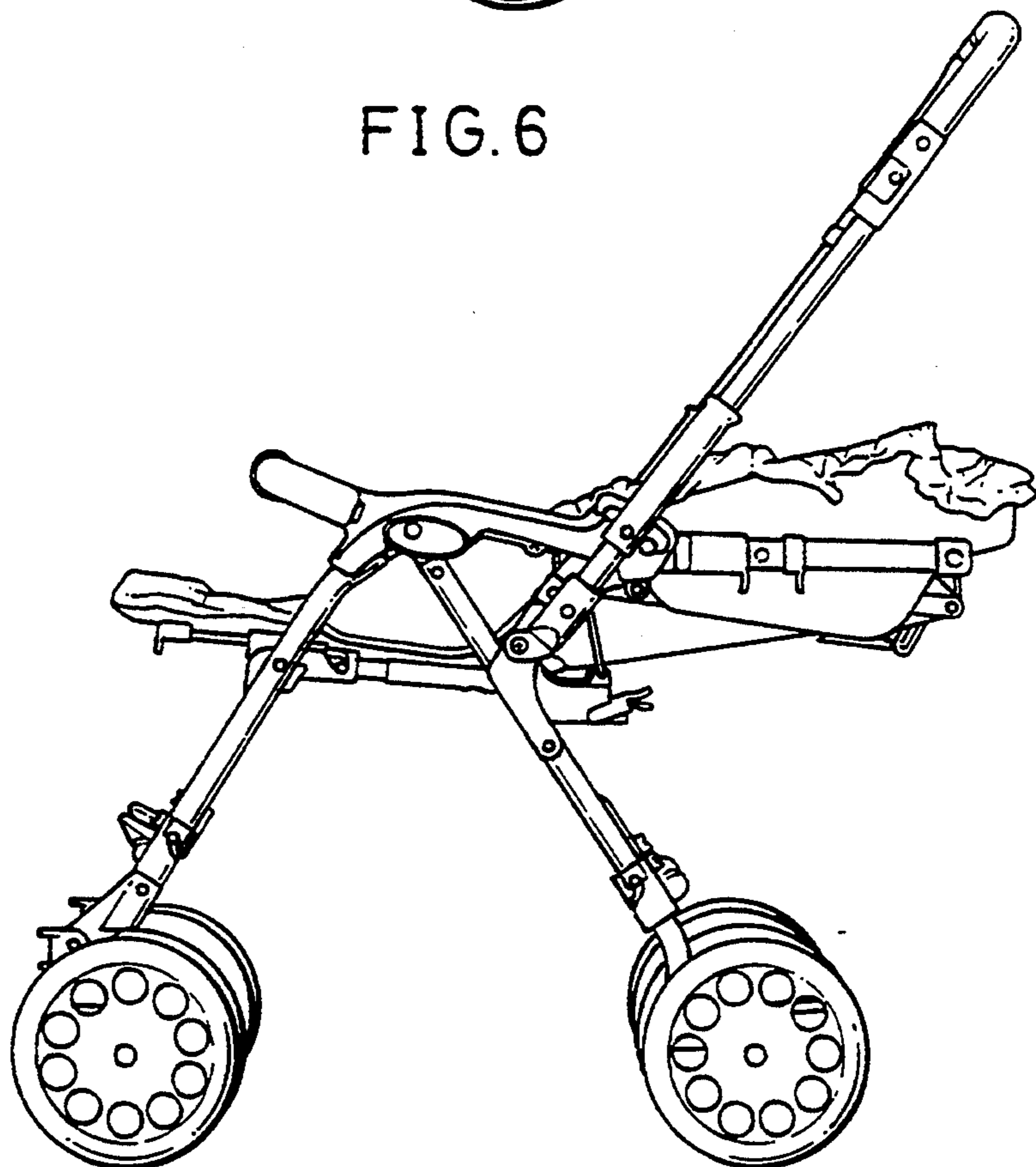


FIG. 7



FIG. 8

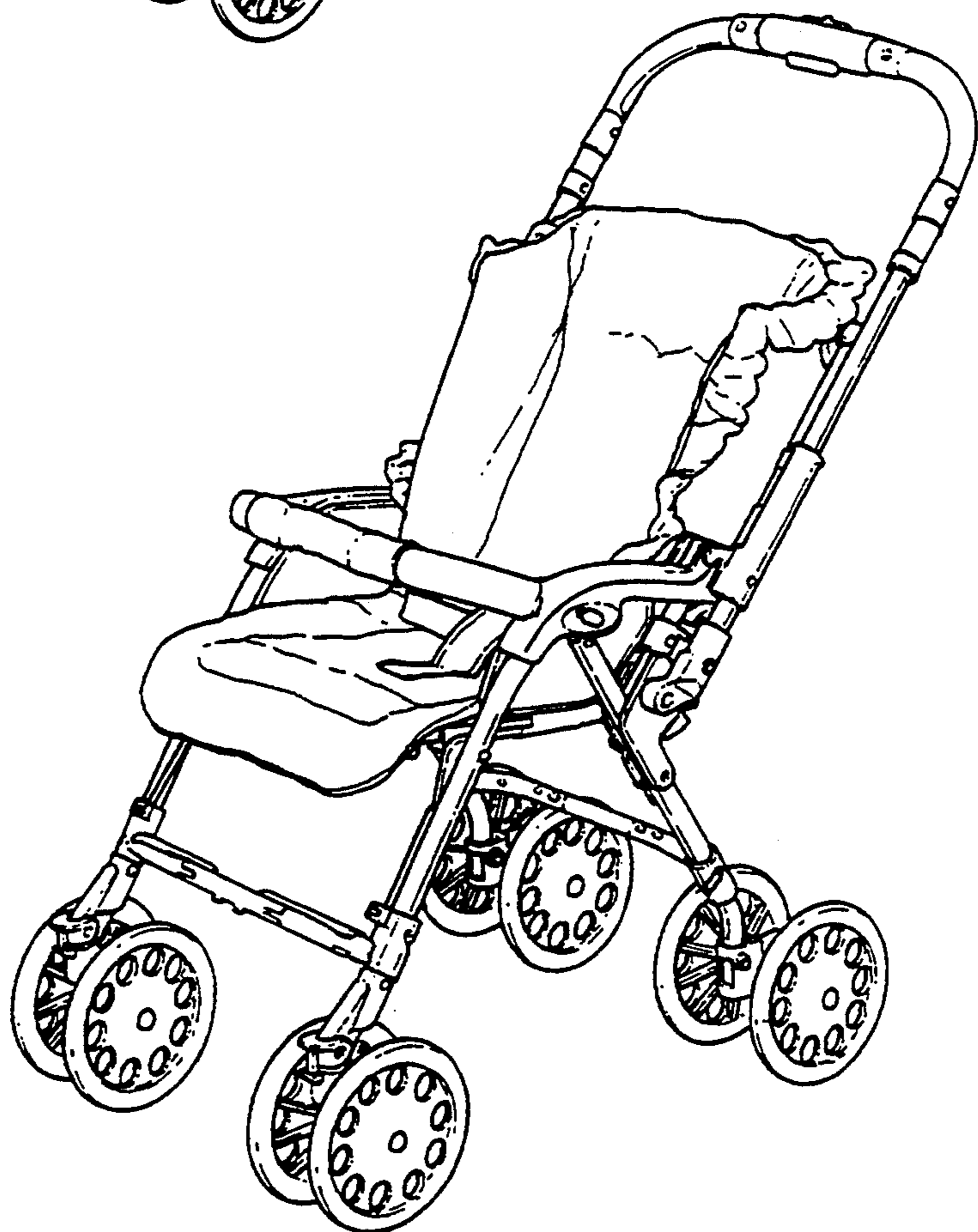


FIG. 9

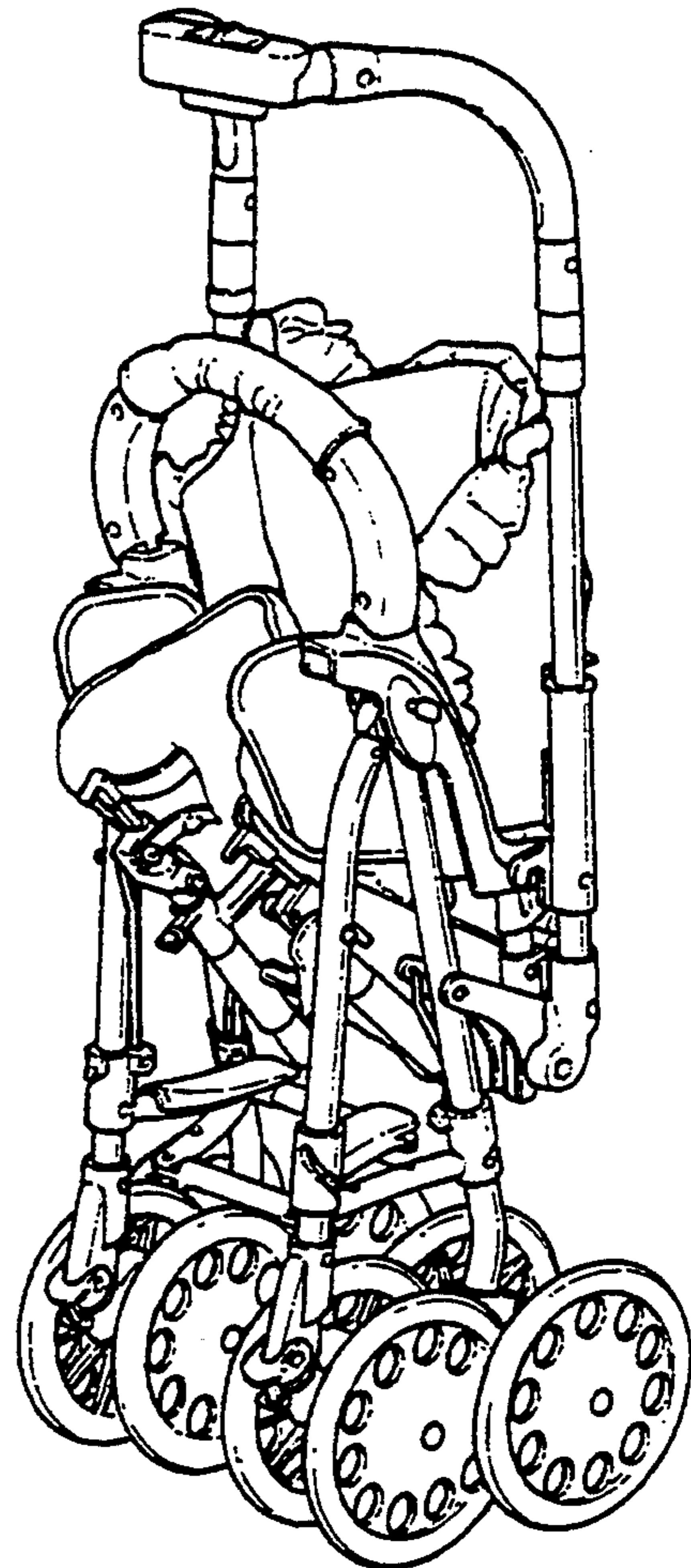


FIG. 10

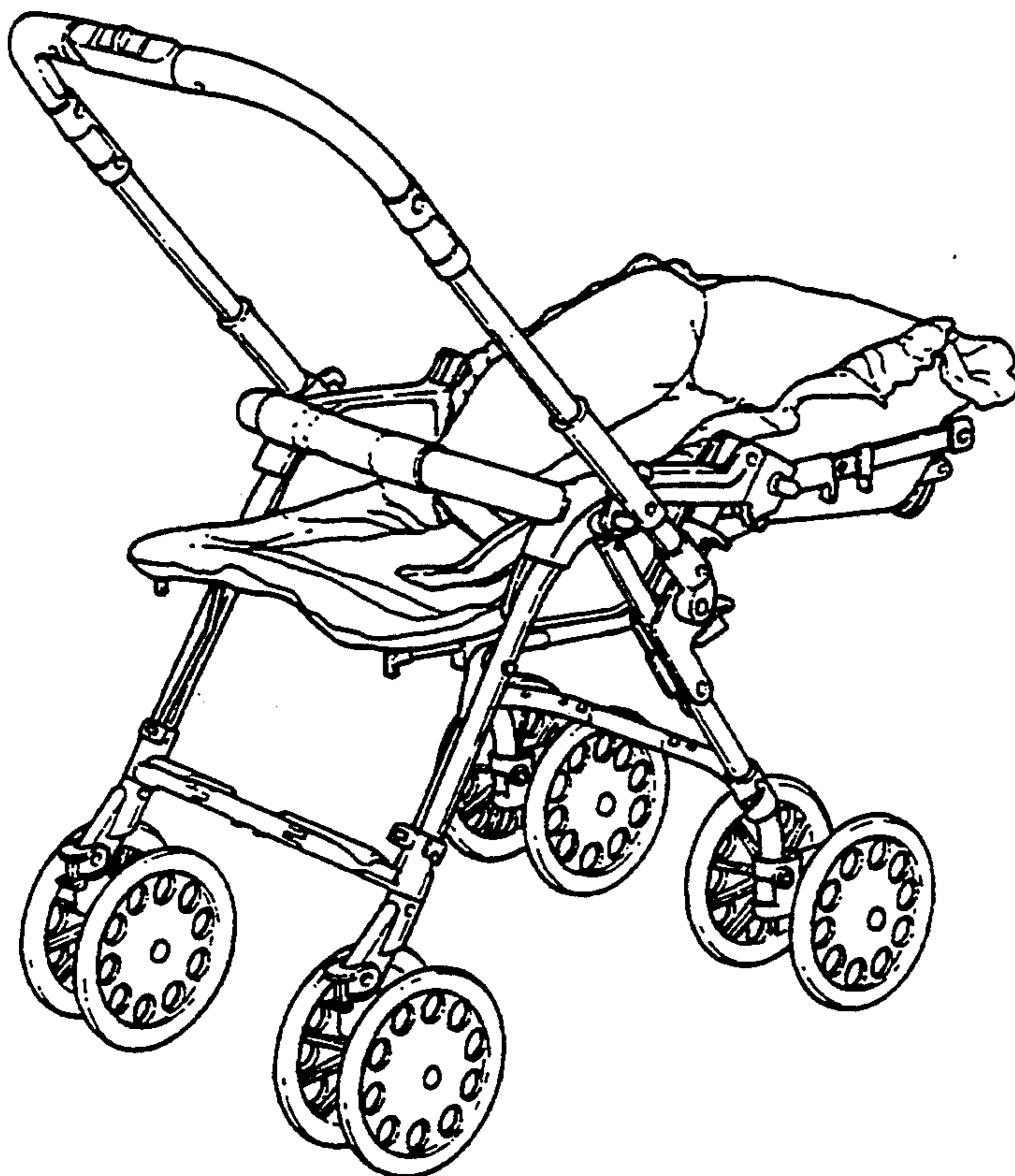


FIG. 11



FIG. 12

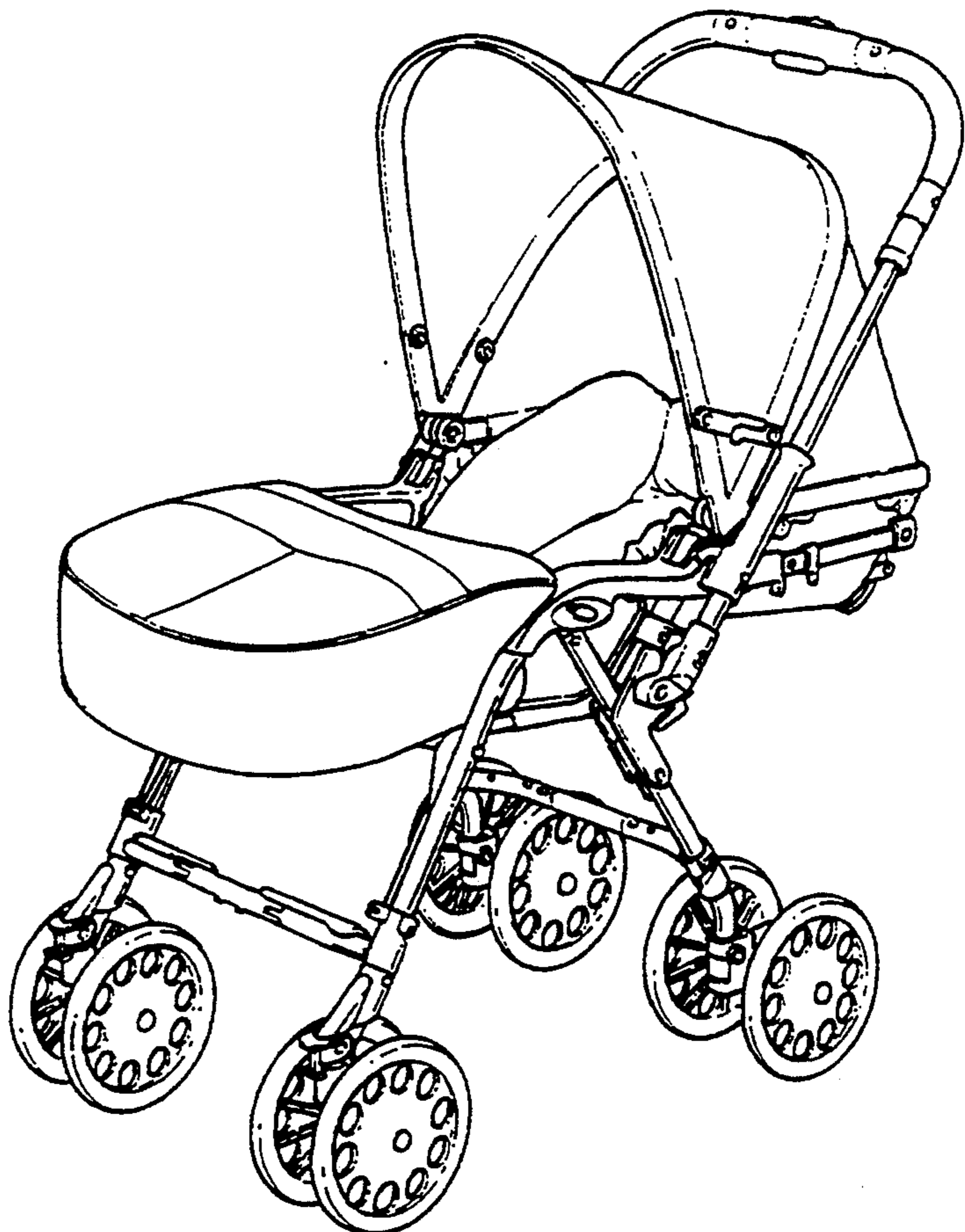


FIG. 13

