



US00D352922S

# United States Patent [19]

[11] Patent Number: **Des. 352,922**

**Kassai**

[45] Date of Patent: **\*\* Nov. 29, 1994**

[54] **NURSING BED**

[75] Inventor: **Kenzou Kassai, Osaka, Japan**

[73] Assignee: **Aprica Kassai Kabushikikaisha, Osaka, Japan**

[\*\*] Term: **14 Years**

[21] Appl. No.: **7,028**

[22] Filed: **Apr. 13, 1993**

[30] **Foreign Application Priority Data**

Dec. 28, 1992 [JP] Japan ..... 4-38851

Dec. 28, 1992 [JP] Japan ..... 4-38852

[52] U.S. Cl. .... **D12/128; D12/132**

[58] Field of Search ..... 5/81.1, 611, 612, 600, 5/620; D12/128, 132

[56] **References Cited**

**U.S. PATENT DOCUMENTS**

3,099,020 7/1963 Giarfield et al. .... 5/620

4,451,944 6/1984 James ..... 5/612

4,939,801 7/1990 Schaal et al. .... 5/61

5,173,978 12/1992 Kassai et al. .... 5/600

5,181,289 1/1993 Kassai ..... 5/81.1

*Primary Examiner—Kay H. Chin*

*Attorney, Agent, or Firm—W. G. Fasse; W. F. Fasse*

[57] **CLAIM**

The ornamental design for a nursing bed, as shown and described.

**DESCRIPTION**

FIG. 1 is a front elevational view of a nursing bed showing my new design;

FIG. 2 is a right-side elevational view thereof;

FIG. 3 is a rear elevational view thereof;

FIG. 4 is a left-side elevational view thereof;

FIG. 5 is a top plan view thereof;

FIG. 6 is a bottom plan view thereof;

FIG. 7 is a perspective view thereof;

FIG. 8 is a right-side elevational view thereof, the lift for carrying an invalid being moved toward one side of the bed body and the frame equipped in the lift being moved downwardly;

FIG. 9 is a perspective view thereof, showing an invalid carried on the hanger members engaged with the frame for moving the invalid; and

FIG. 10 is a perspective view thereof, the hanger members being removed from the frame and the lift being moved toward one side of the bed body, further showing an invalid doing a walking exercise.

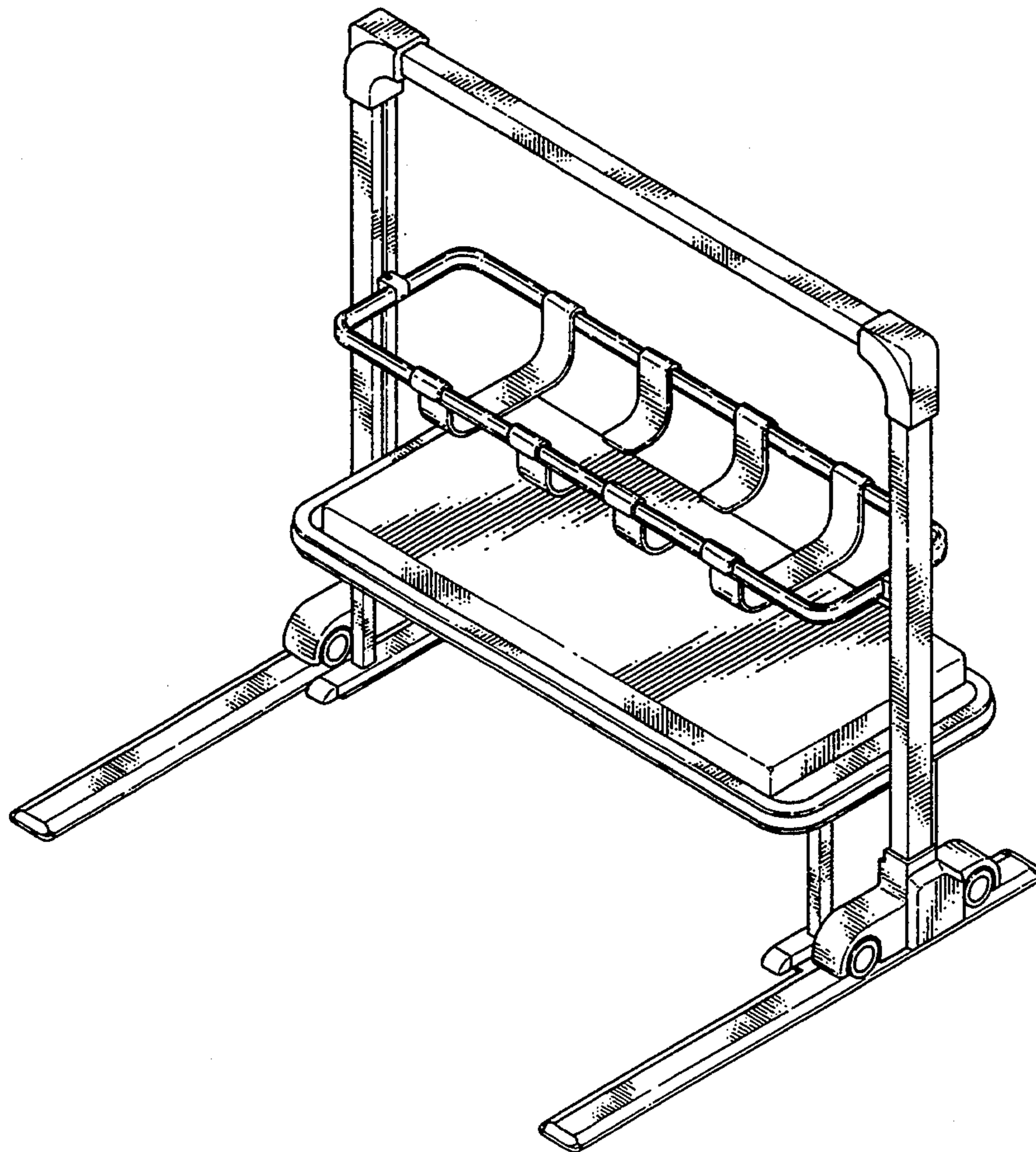


FIG. 1

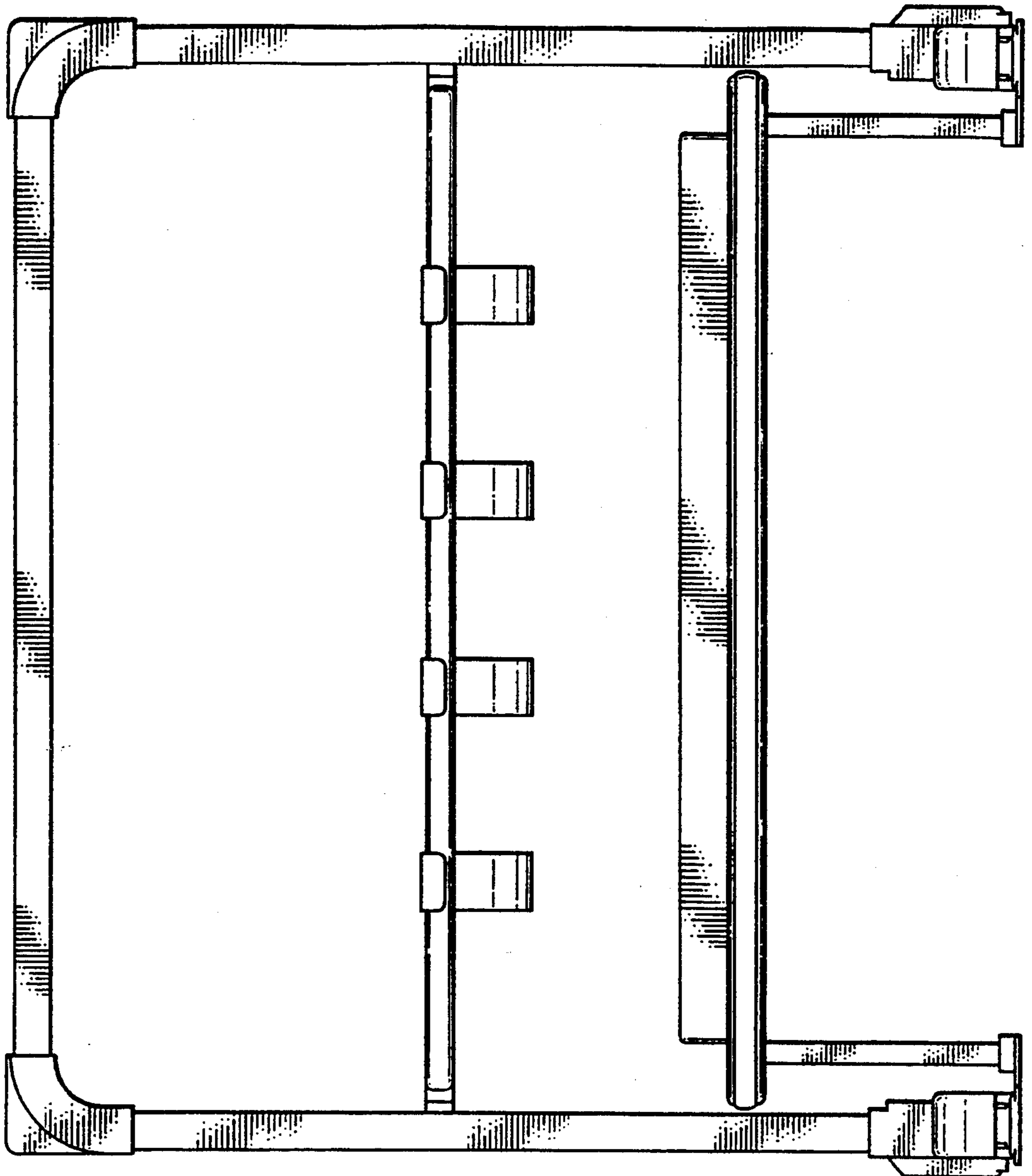


FIG. 2

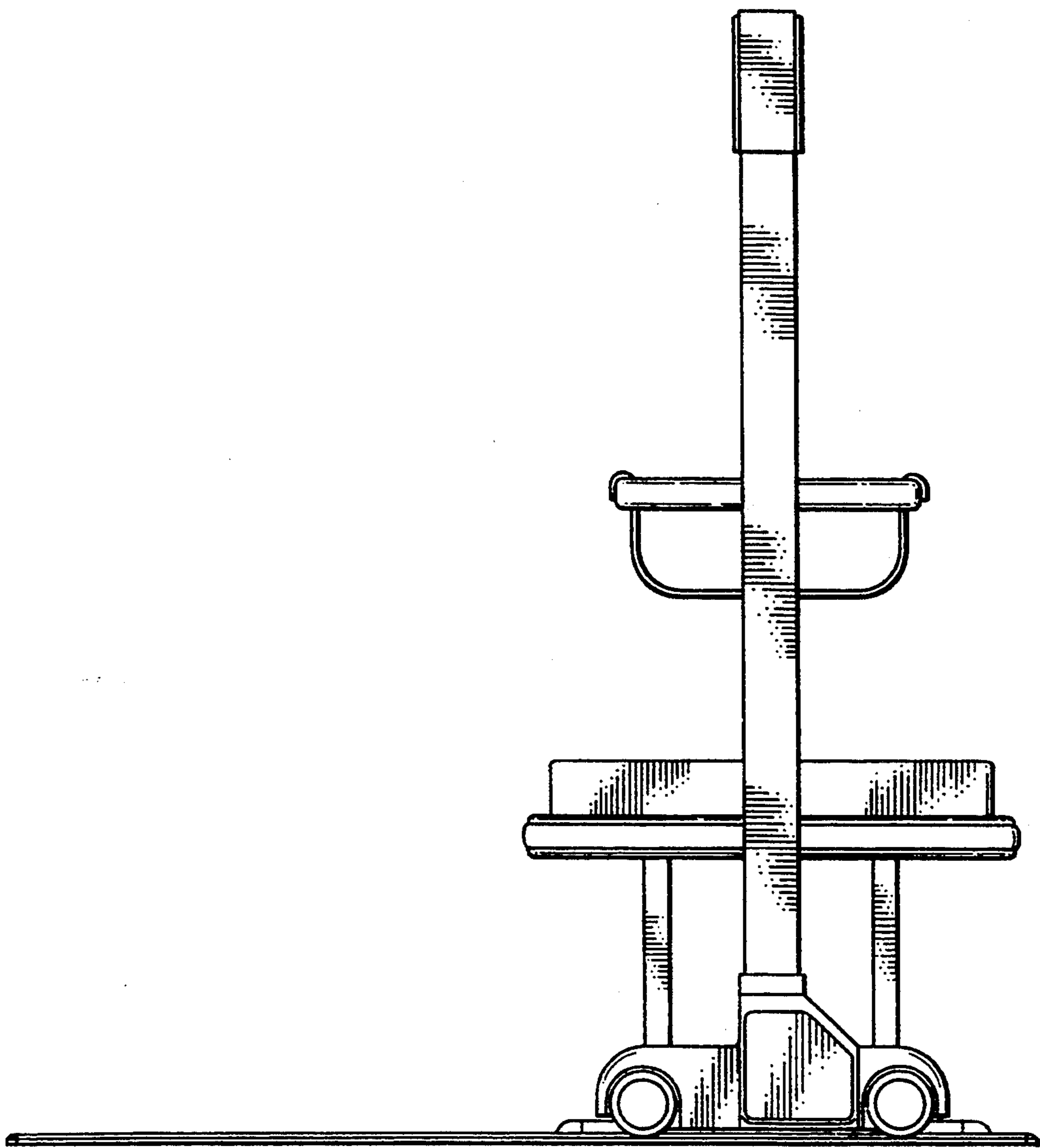


FIG. 3

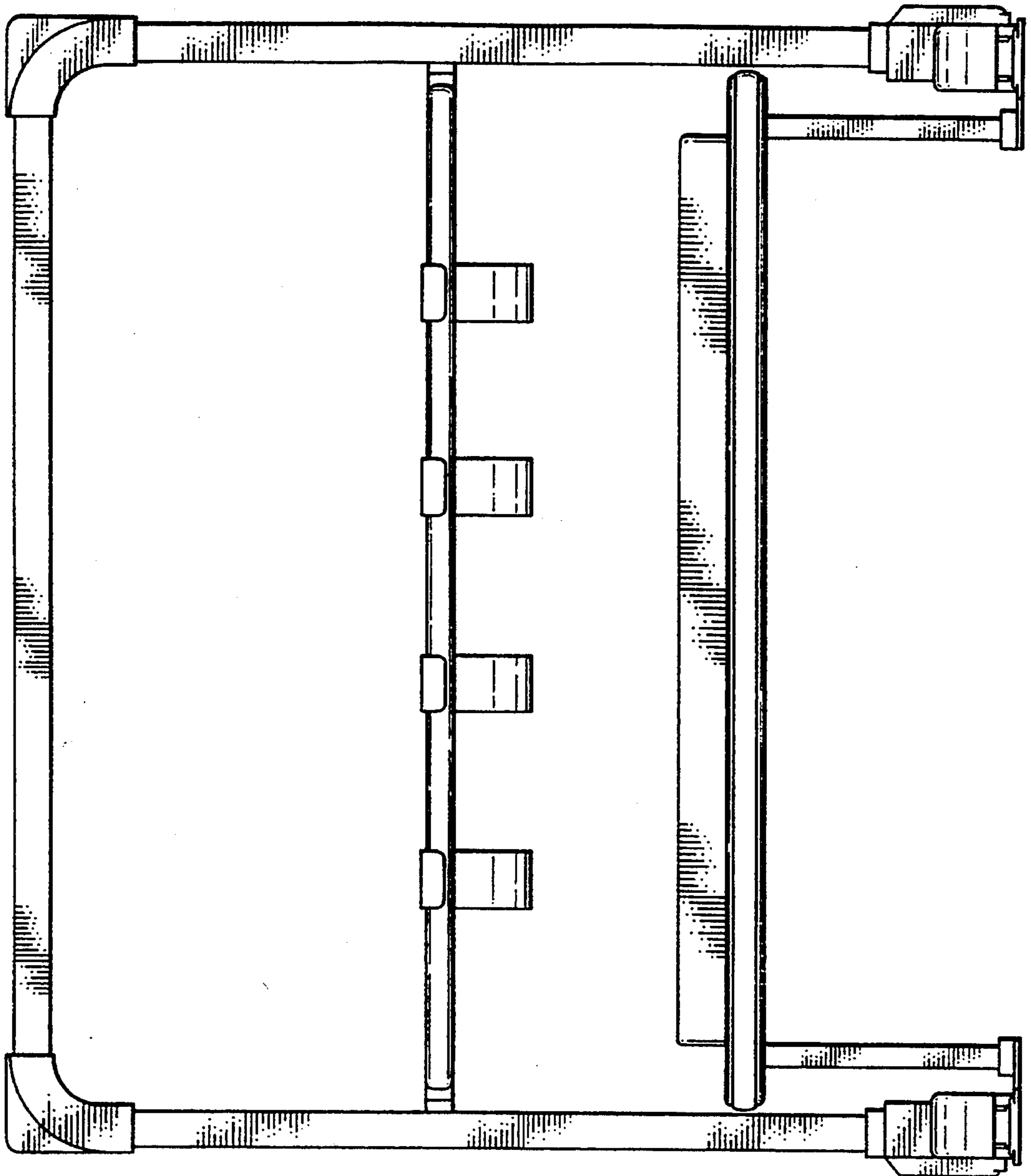


FIG. 4

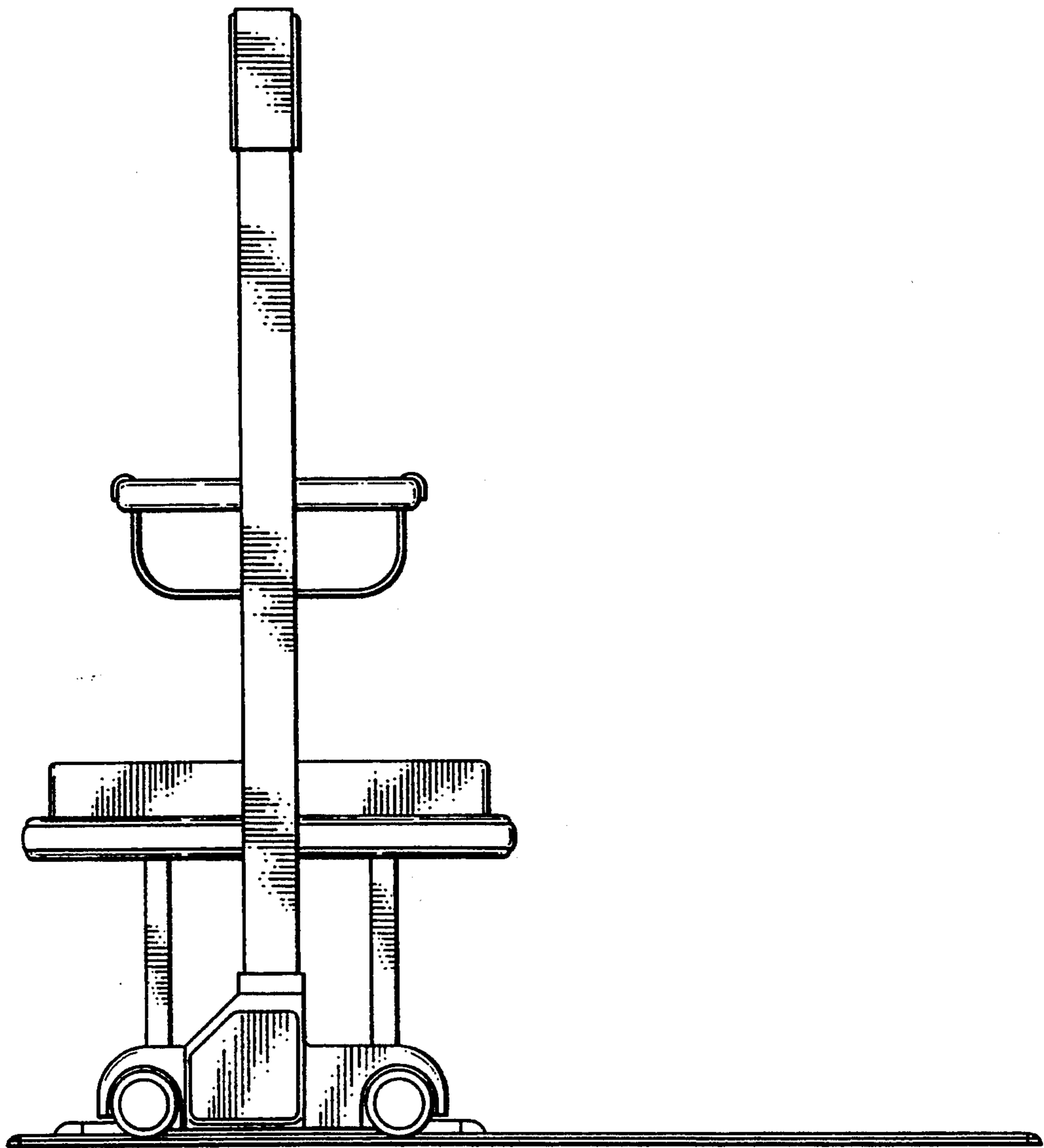




FIG. 5

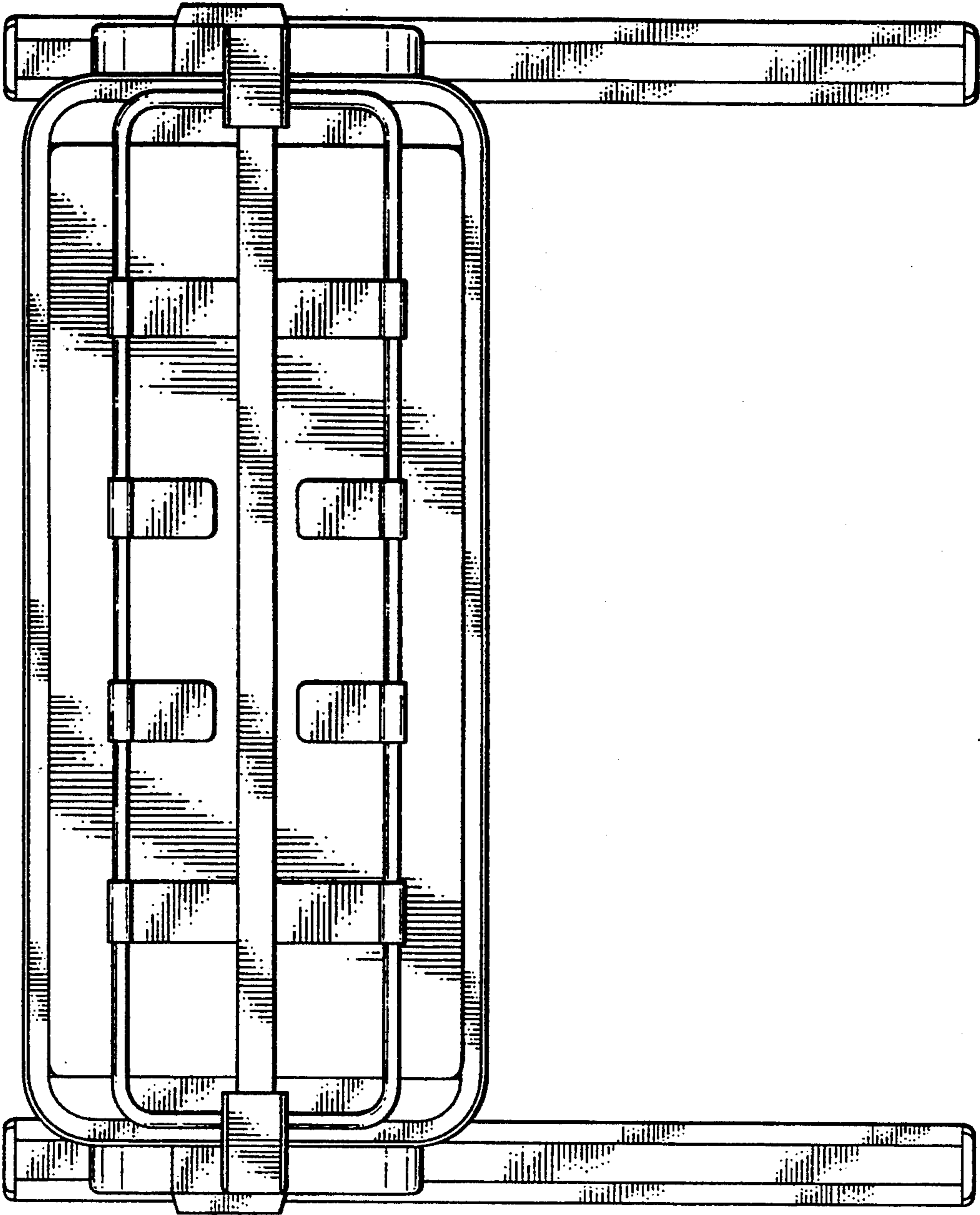


FIG. 6

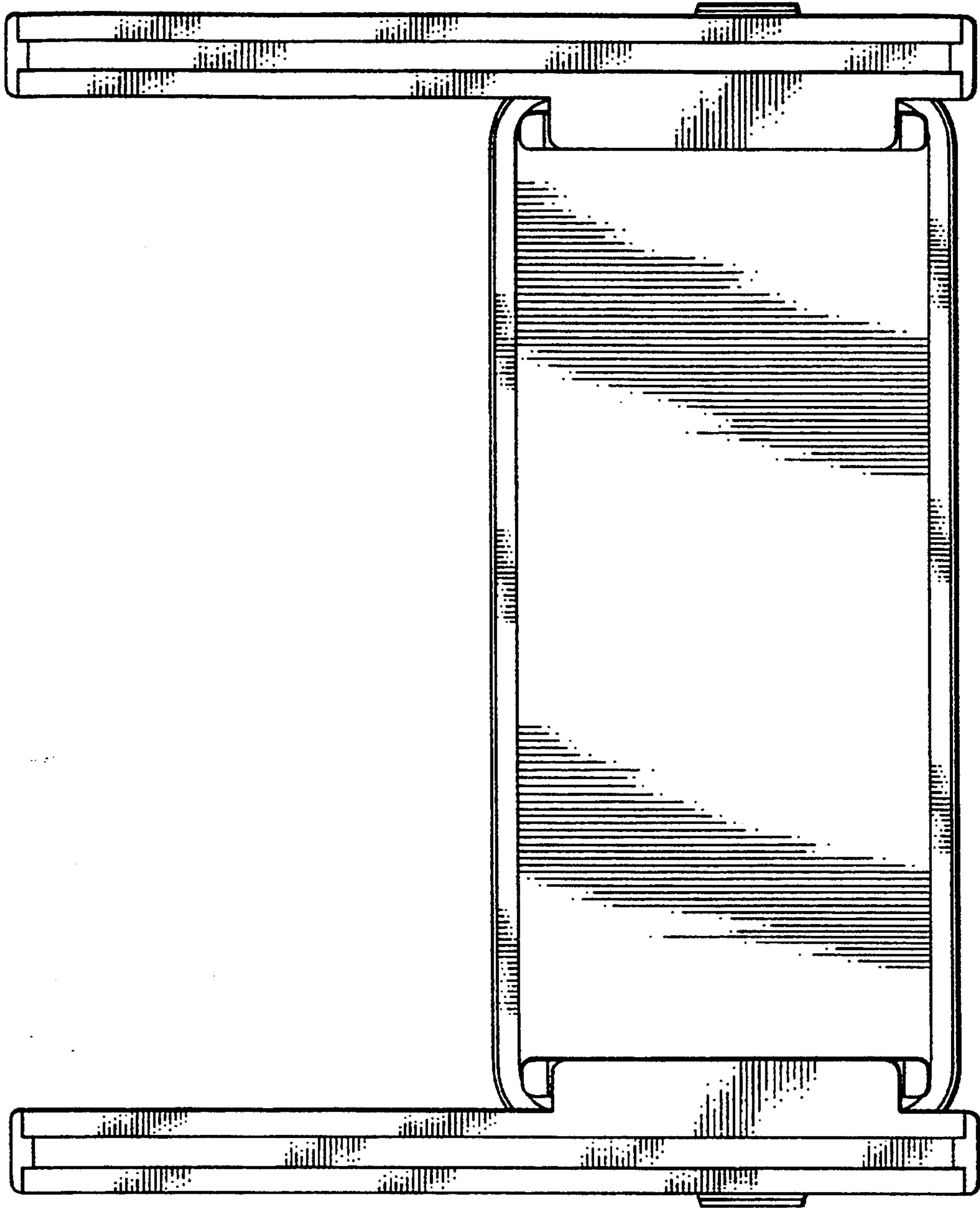


FIG. 7

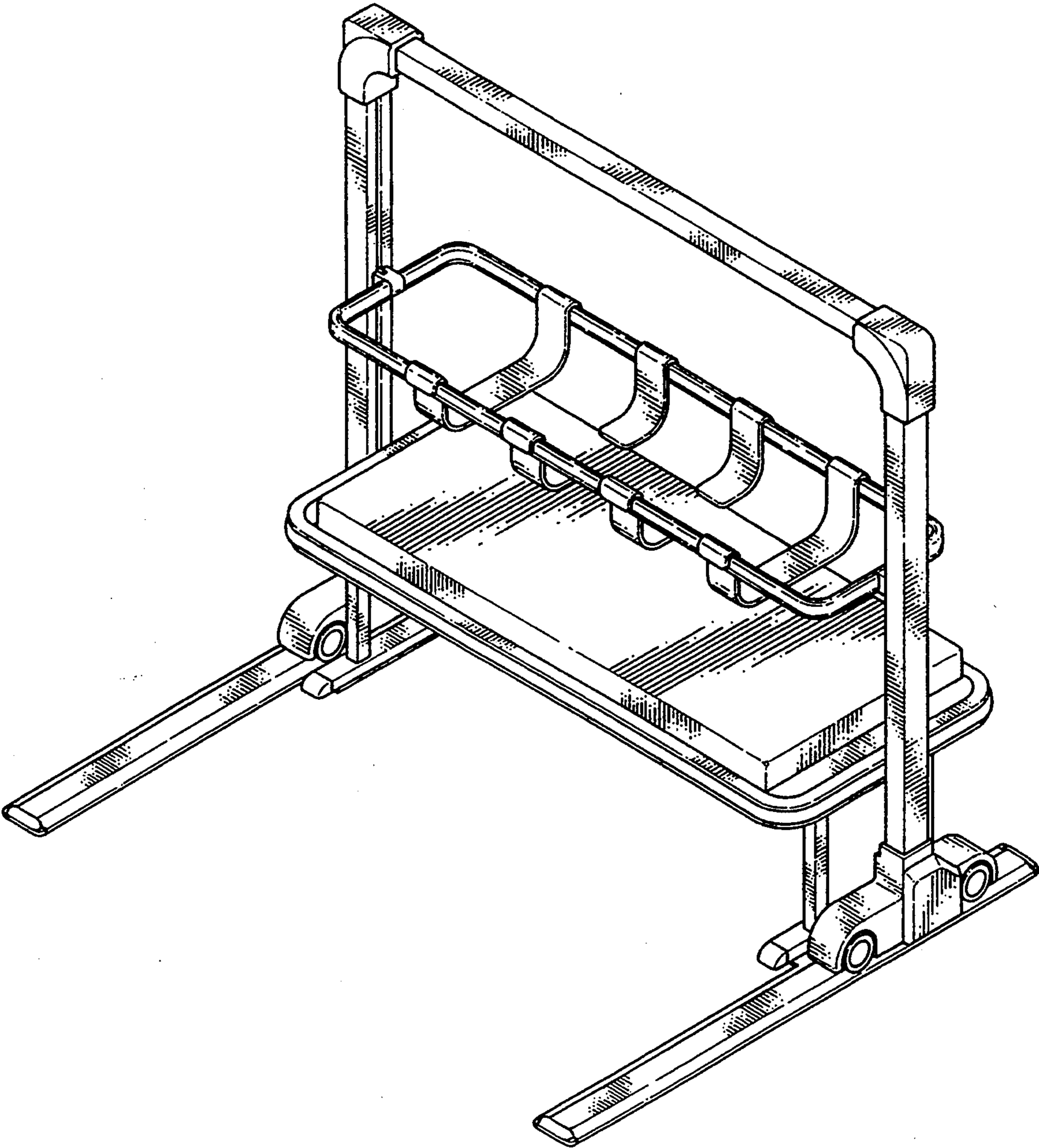




FIG. 8

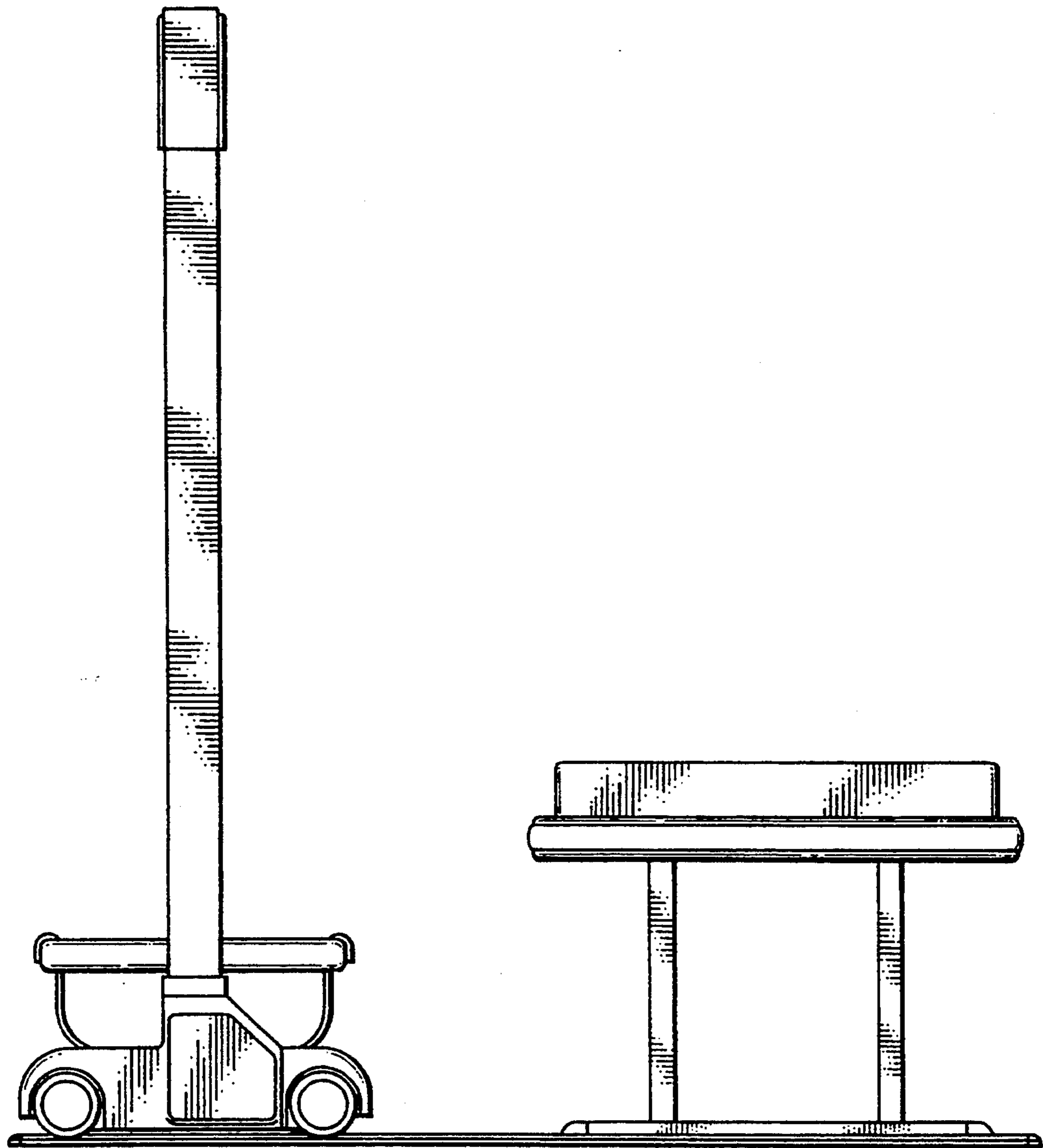


FIG. 9

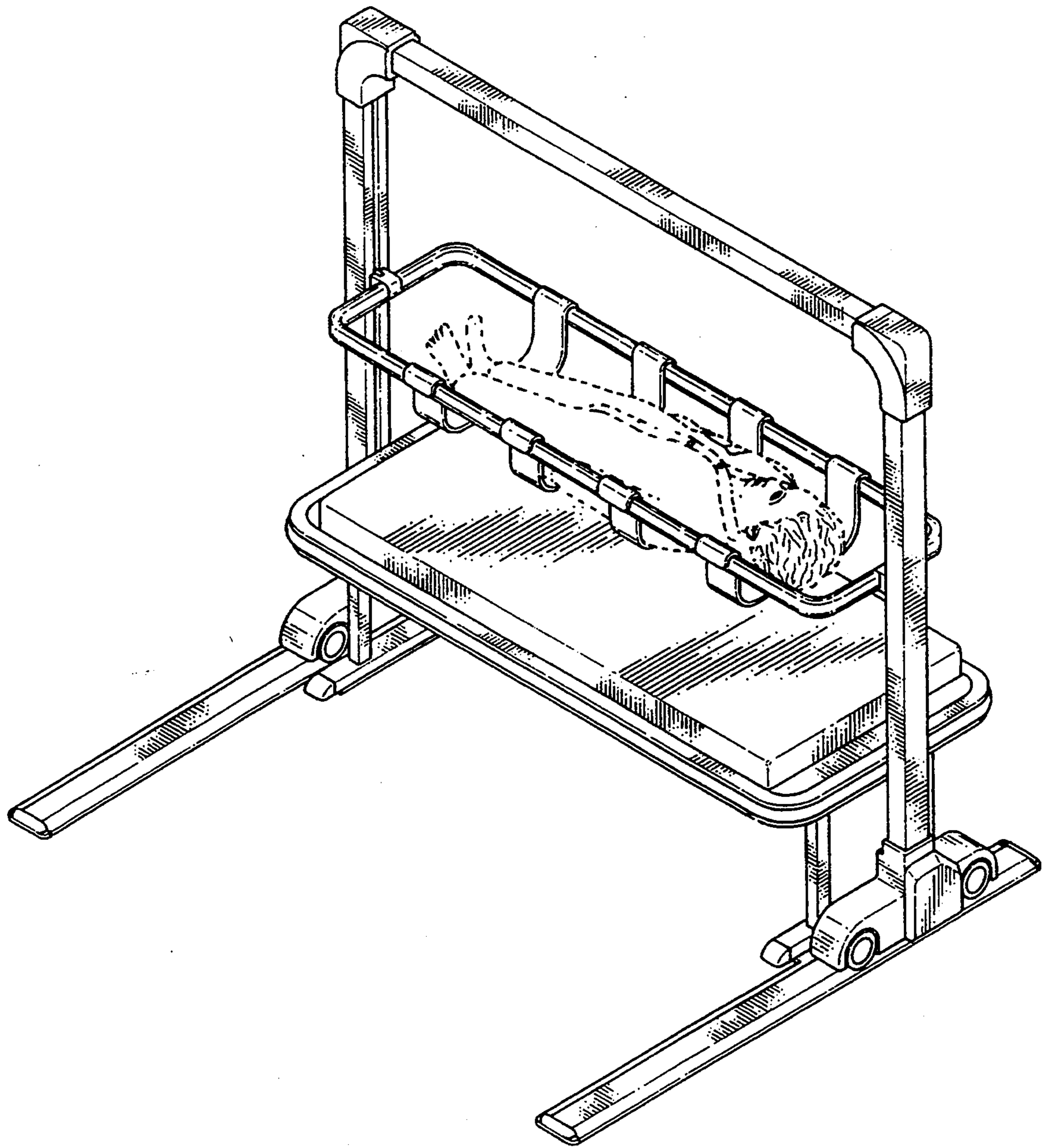


FIG. 10

