



US00D352920S

# United States Patent [19]

[11] Patent Number: **Des. 352,920**

Gerring

[45] Date of Patent: **\*\* Nov. 29, 1994**

[54] **EXTERIOR SHELL FOR A RECREATIONAL VEHICLE FOLD OUT EXTENSION**

[75] Inventor: **Harold E. Gerring, Bristol, Ind.**

[73] Assignee: **Amerigo, Inc., Bristol, Ind.**

[\*\*] Term: **14 Years**

[21] Appl. No.: **701**

[22] Filed: **Oct. 21, 1992**

[52] U.S. Cl. .... **D12/106**

[58] Field of Search ..... **52/69, 70, 71; D12/106**

[56] **References Cited**

**U.S. PATENT DOCUMENTS**

1,630,553	5/1927	Watson .....	52/69
2,323,106	6/1943	Whiteman .....	52/69
2,837,778	6/1958	Kern .....	52/69
3,360,891	1/1968	Gardner .....	52/69
3,511,529	5/1970	Cutsinger .....	52/69
4,912,892	4/1990	Jurgensen .....	52/71

*Primary Examiner*—Wallace R. Burke

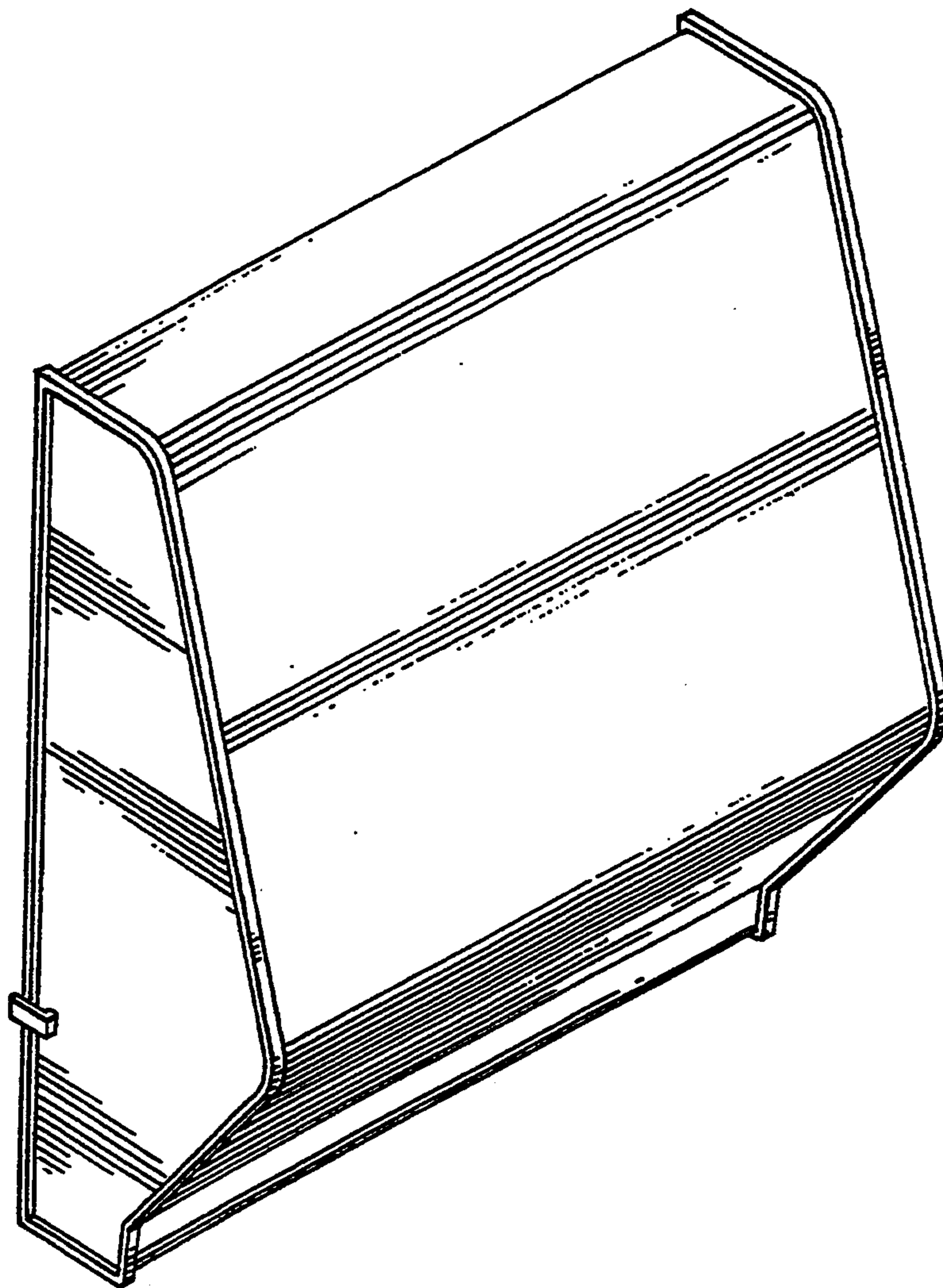
*Assistant Examiner*—M. Brown  
*Attorney, Agent, or Firm*—Barnes & Thornburg

[57] **CLAIM**

An ornamental design for a exterior shell for a recreational vehicle fold out extension, as shown and described.

**DESCRIPTION**

FIG. 1 is a side view of an exterior shell for recreational vehicle fold out extension showing my new design; FIG. 2 is a rear view thereof; FIG. 3 is a side view thereof shown in an extended position; FIG. 4 is a rear view thereof, shown in an extended position; FIG. 5 is a side view thereof, shown in a folded position on a camper; and, FIG. 6 is an enlarged perspective view thereof. Portions of the drawings shown in broken lines are for illustrative and environmental purposes and do not constitute a portion of the claimed invention.



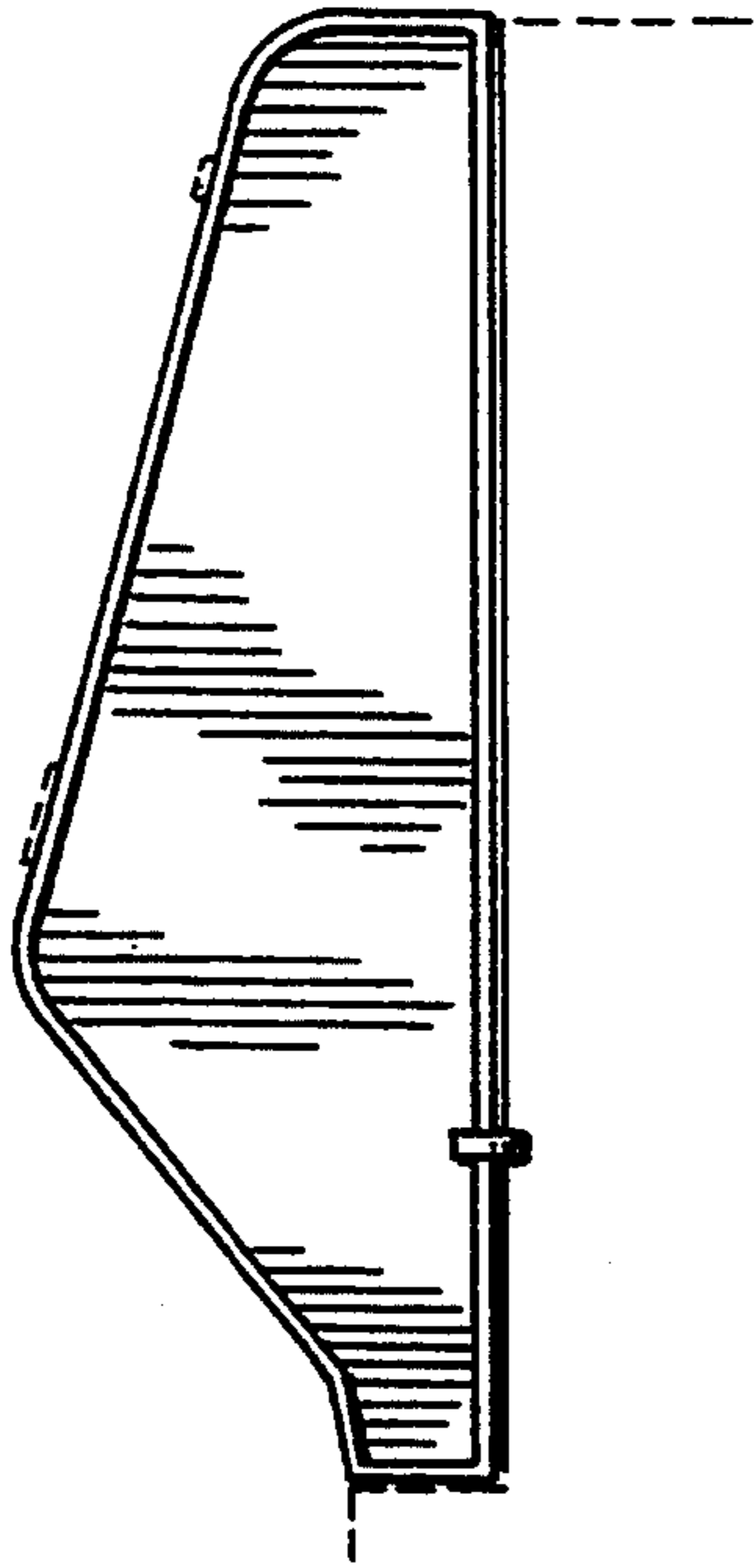


FIG. 1

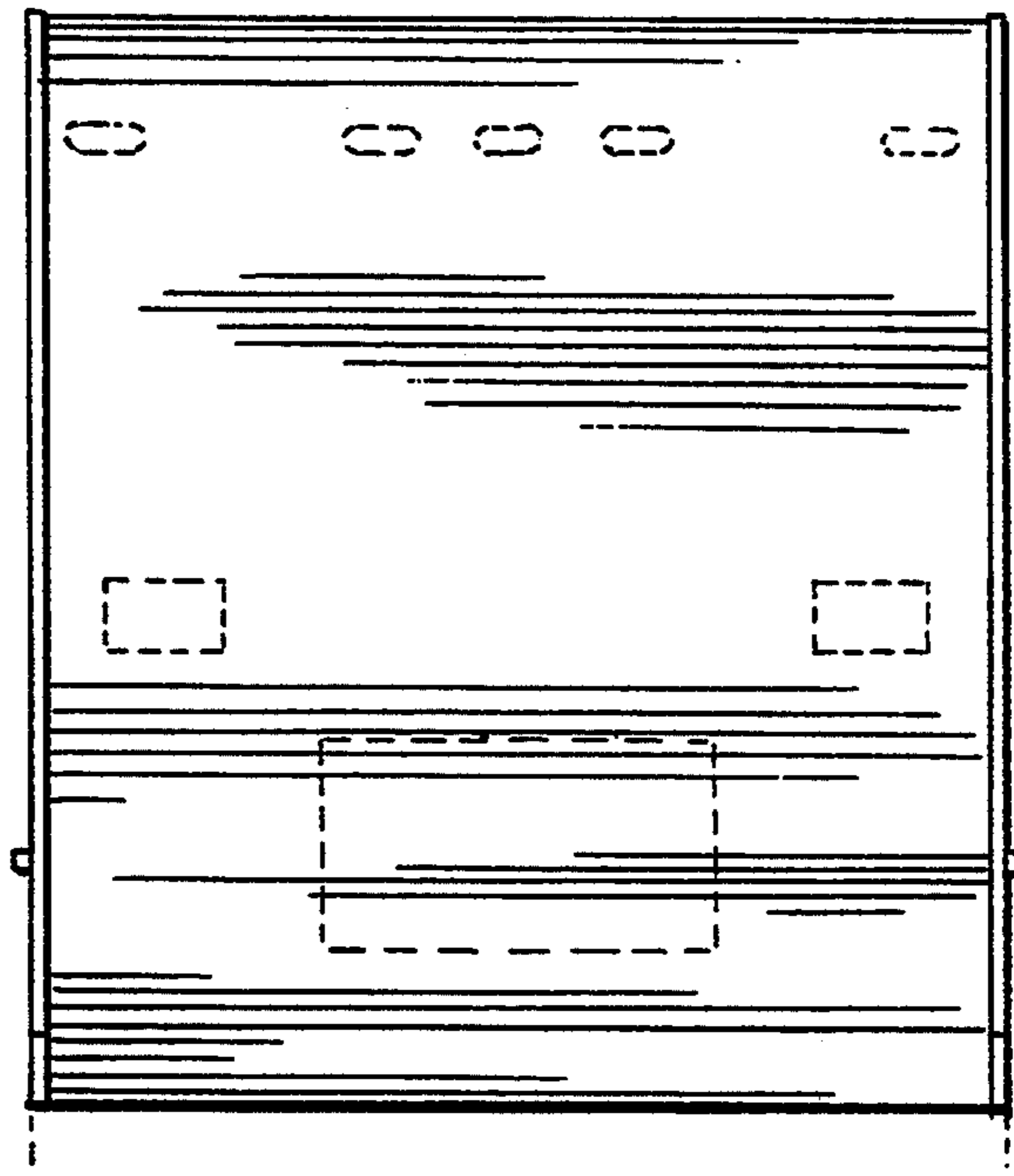


FIG. 2

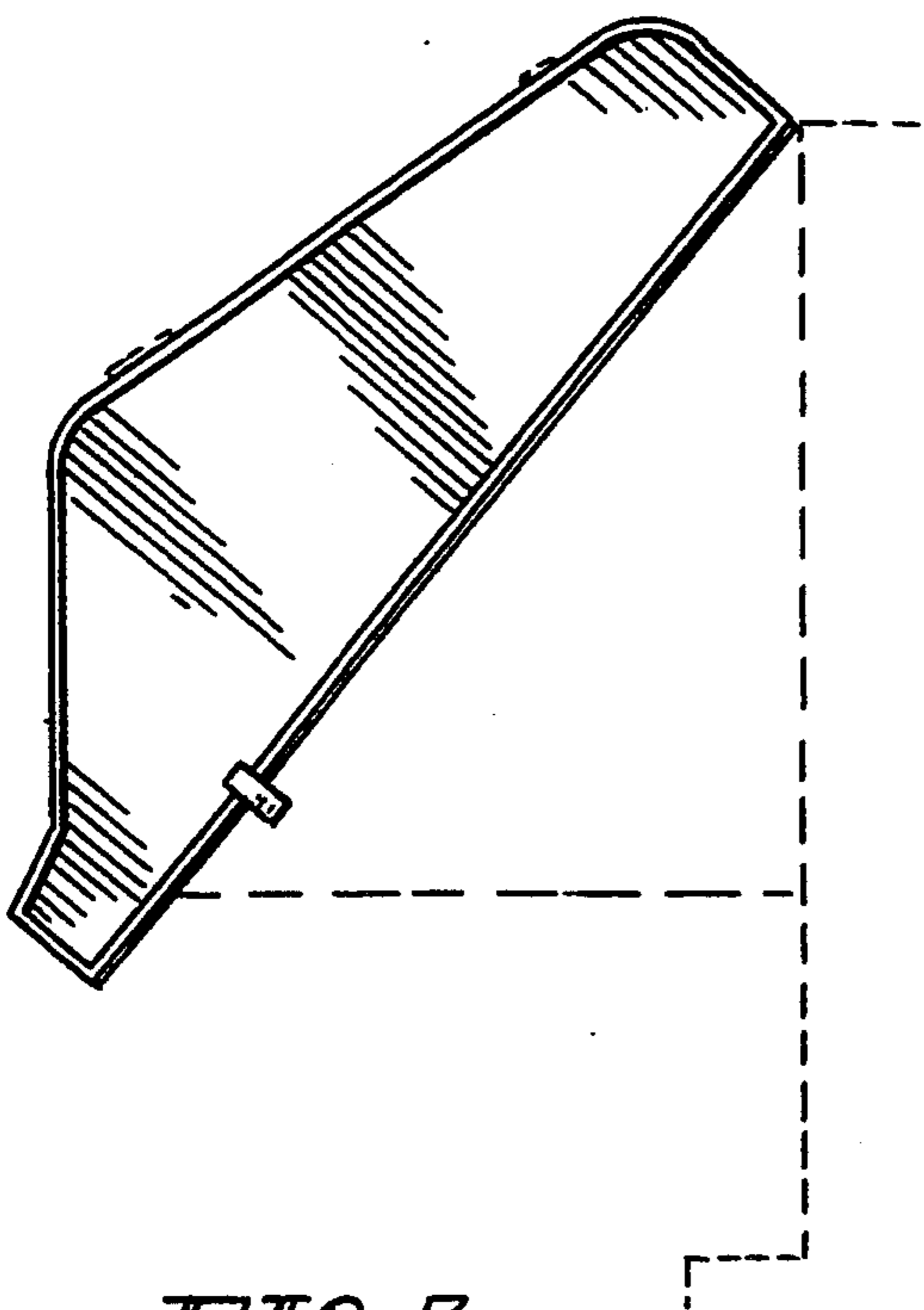


FIG. 3

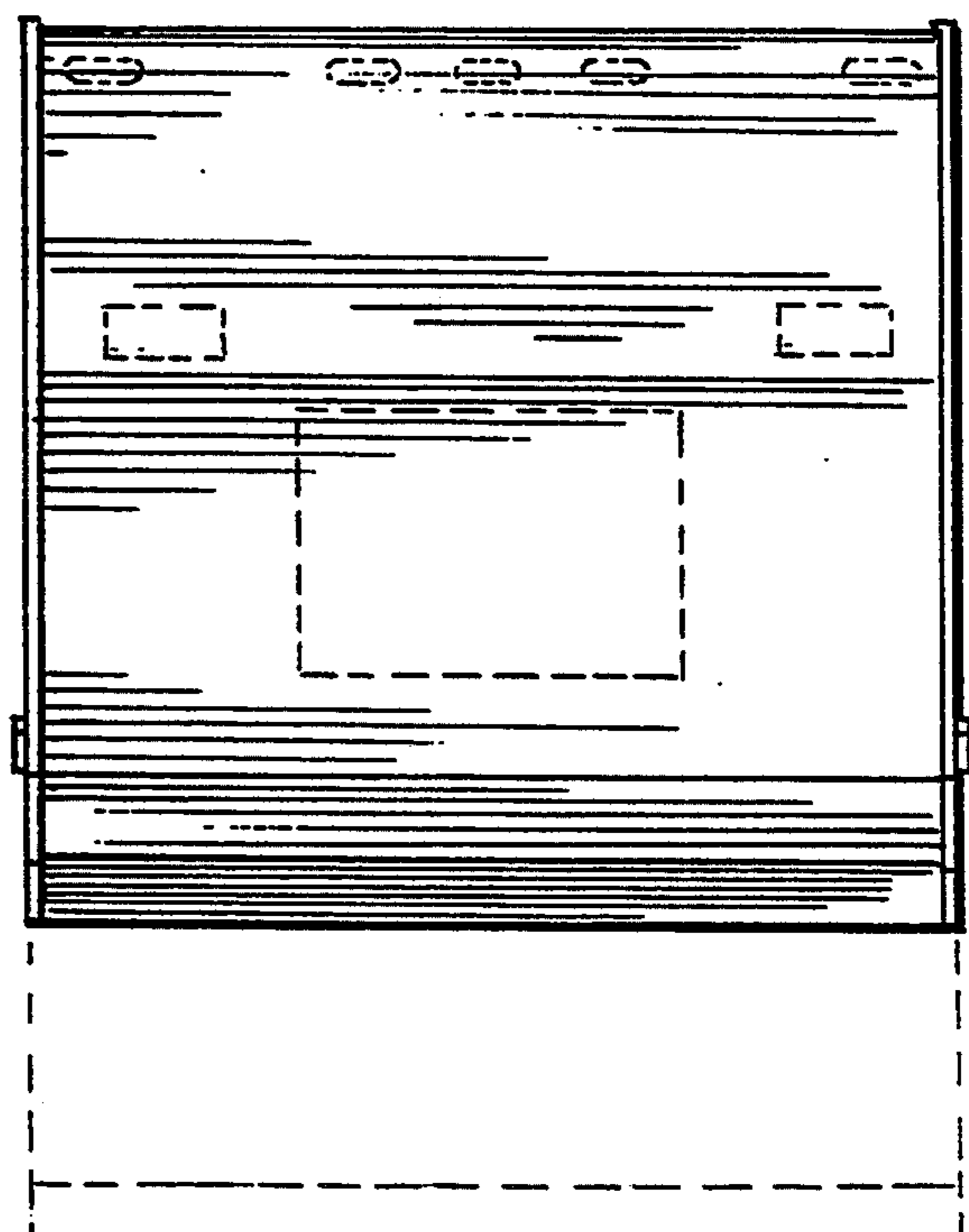
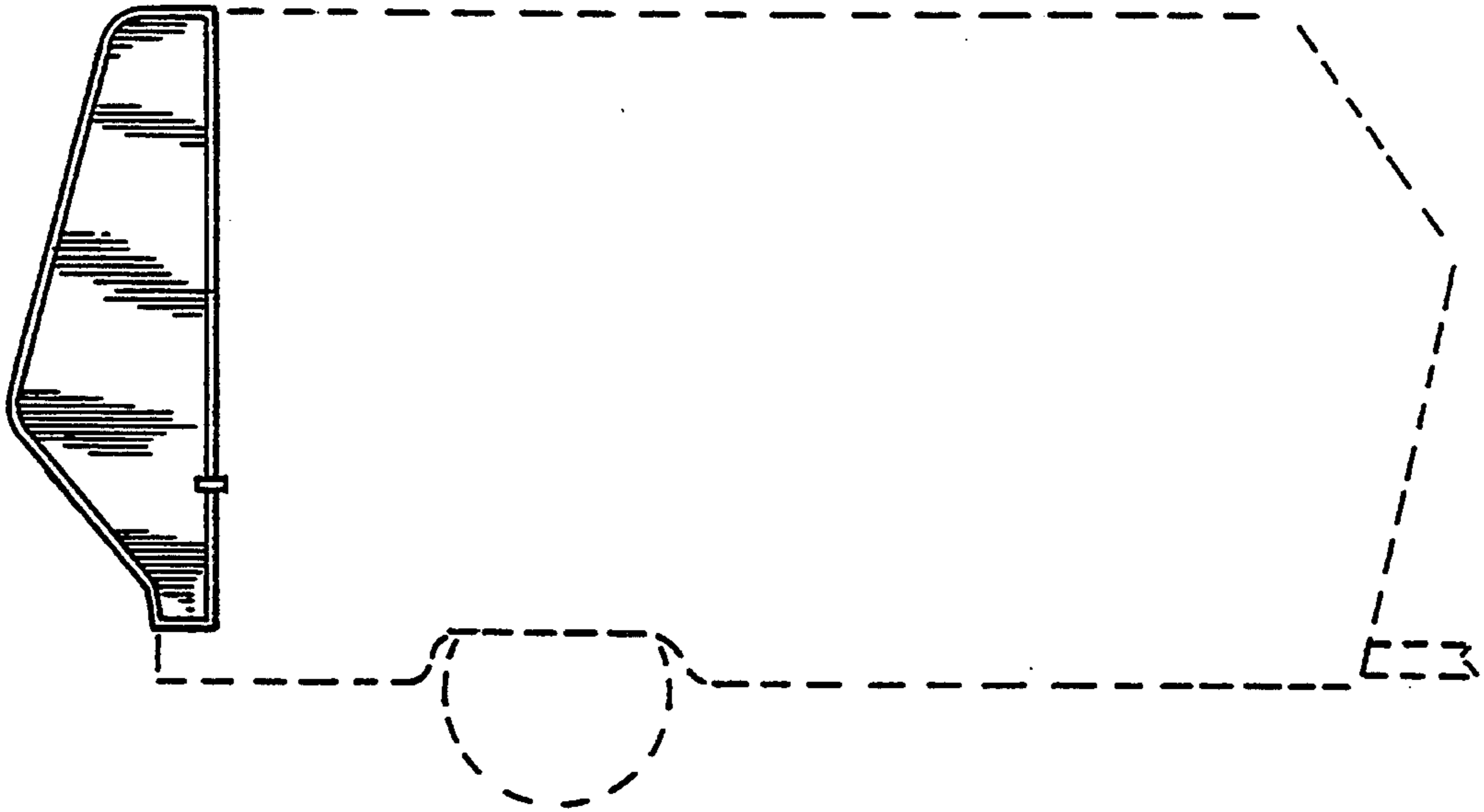
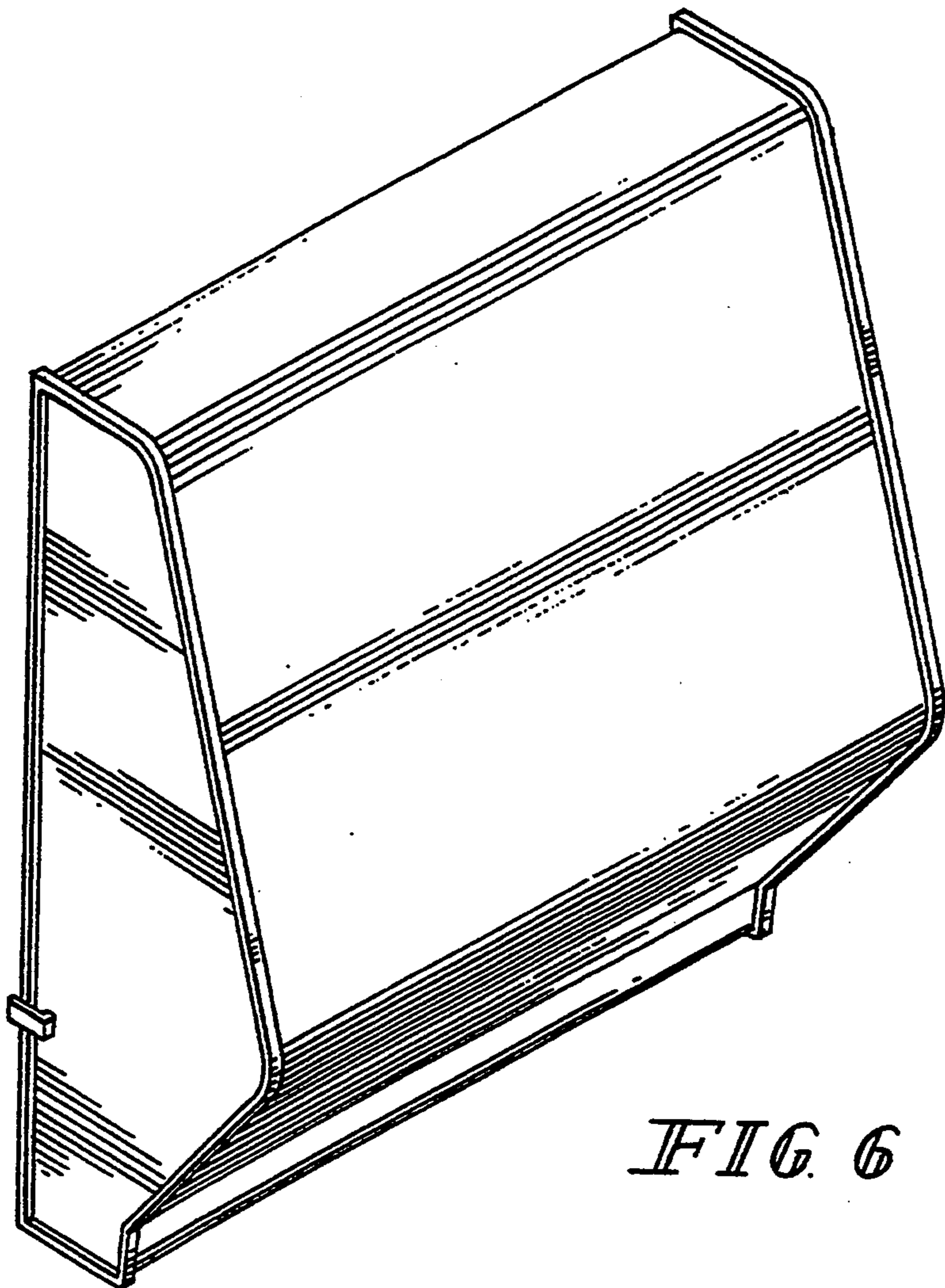


FIG. 4



*FIG. 5*



*FIG. 6*