



US00D352917S

United States Patent [19]

[11] Patent Number: **Des. 352,917**

DesLaurier

[45] Date of Patent: **** Nov. 29, 1994**

[54] SEED DOME

[75] Inventor: **Octave E. DesLaurier**, Sherwood Park, Canada

[73] Assignee: **Acro Foam & Plastics Ltd.**, Canada

[**] Term: **14 Years**

[21] Appl. No.: **835,676**

[22] Filed: **Feb. 14, 1992**

[30] Foreign Application Priority Data

Jan. 24, 1992 [CA] Canada 24-01-92-1

[52] U.S. Cl. **D11/155**

[58] Field of Search D9/435; 111/100; 47/61, 47/77; D11/143, 155, 156

[56] References Cited

U.S. PATENT DOCUMENTS

D. 254,958 5/1980 Dugan et al. D9/435

3,082,575 3/1963 Schulz D11/156

Primary Examiner—Alan P. Douglas

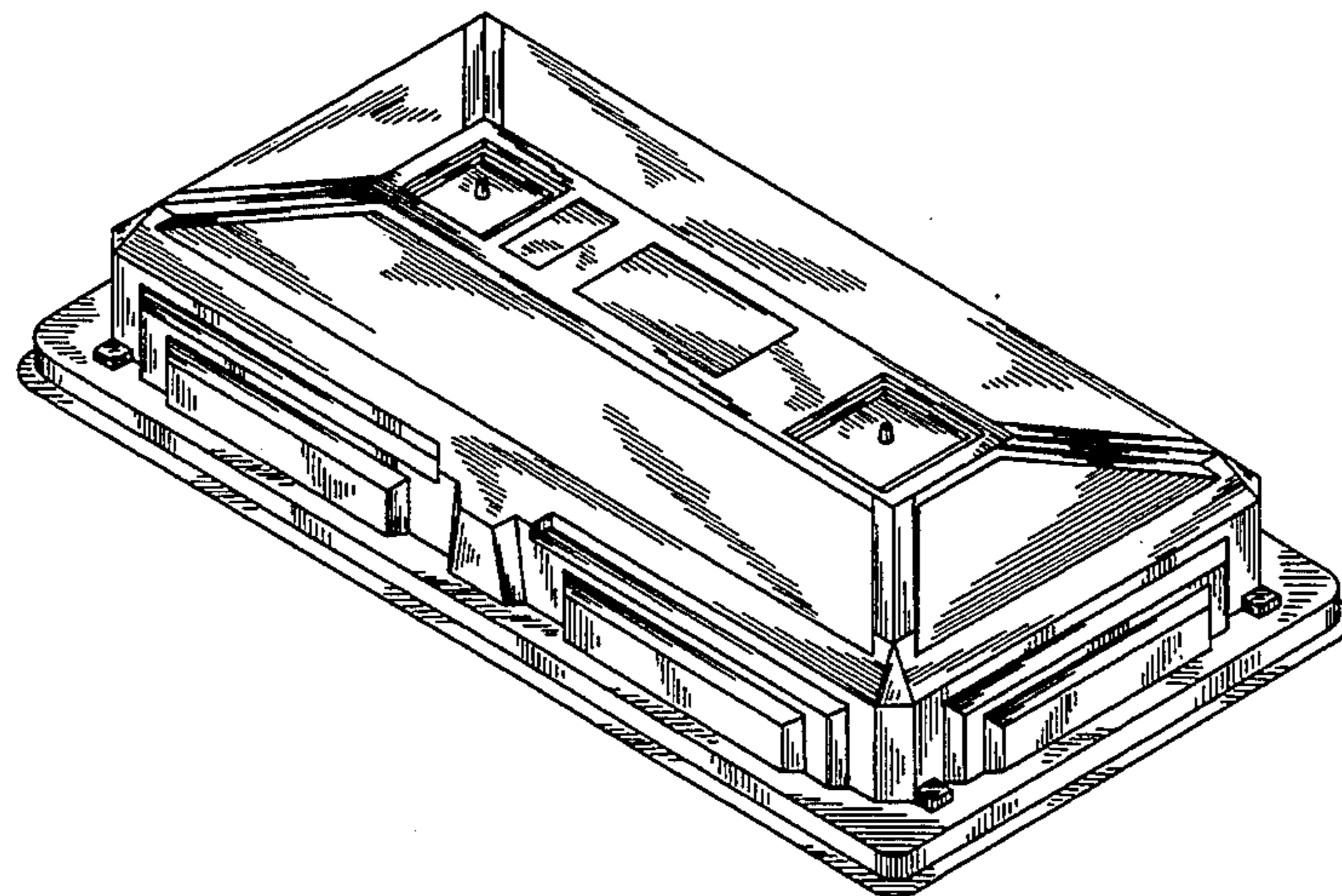
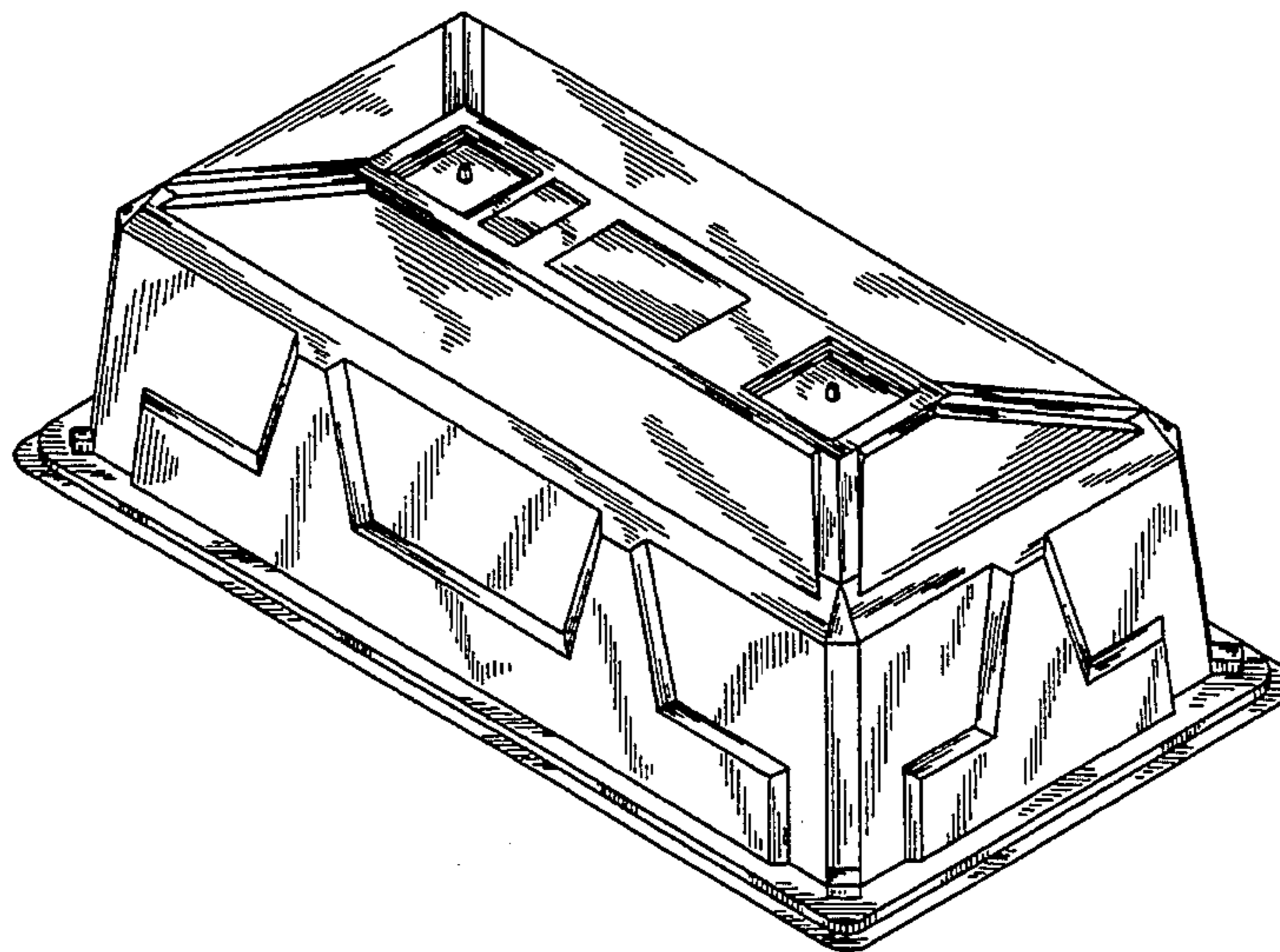
Assistant Examiner—S. Snapp
Attorney, Agent, or Firm—Jones, Tullar & Cooper

[57] CLAIM

The ornamental design for a seed dome, as shown and described.

DESCRIPTION

FIG. 1 is a perspective view of a first embodiment of my design;
FIG. 2 is an end elevational view thereof, the opposite end view being identical;
FIG. 3 is a top plan view thereof, the bottom plan view being generally identical;
FIG. 4 is a side elevational view thereof, the opposite side view being identical;
FIG. 5 is a perspective view of a second embodiment of my design;
FIG. 6 is a top plan view of the second embodiment, the bottom view being generally identical;
FIG. 7 is an end elevational view of the second embodiment, the opposite end view being identical; and,
FIG. 8 is a side elevational view of the second embodiment, the opposite side view being identical.



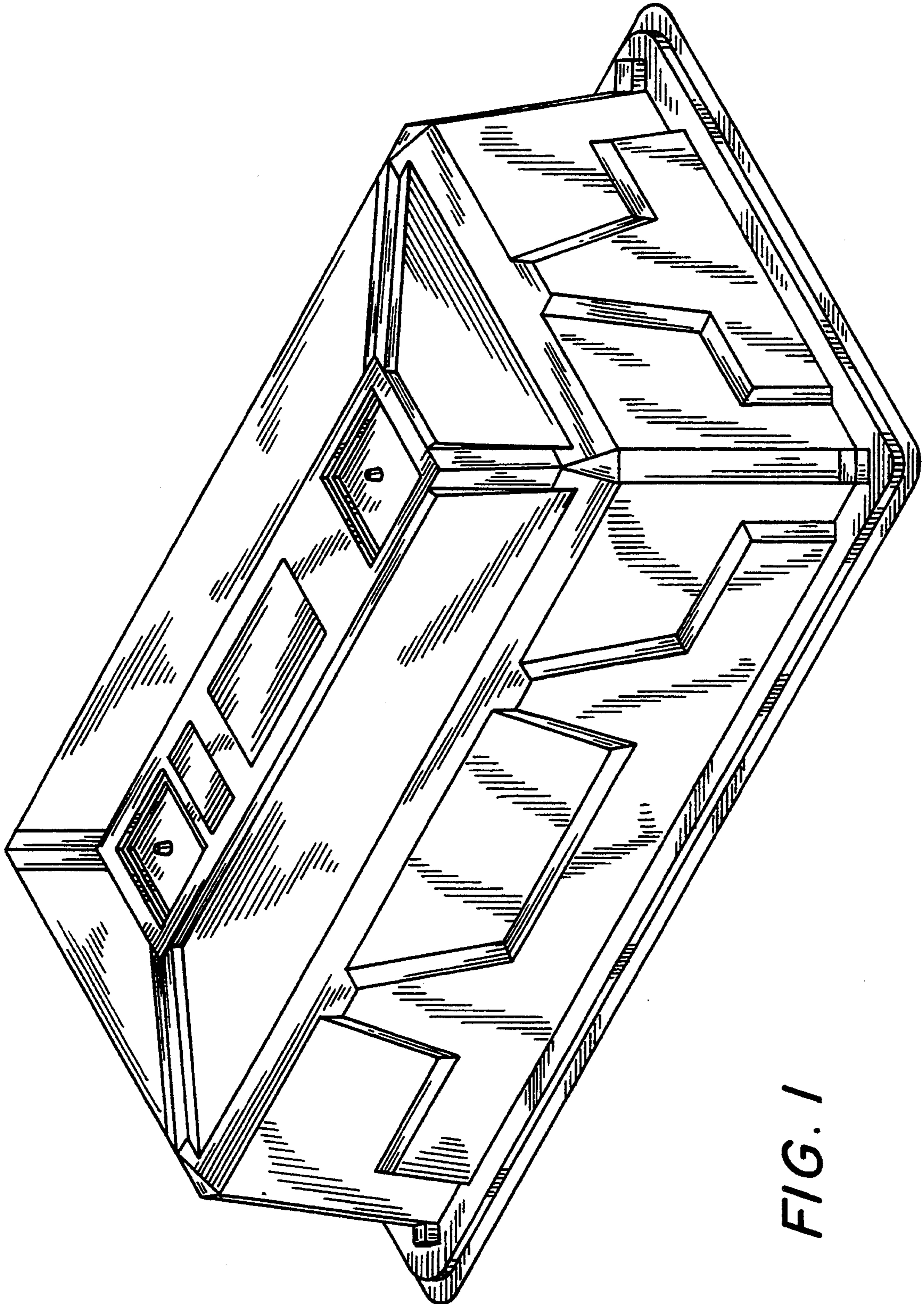


FIG. 1

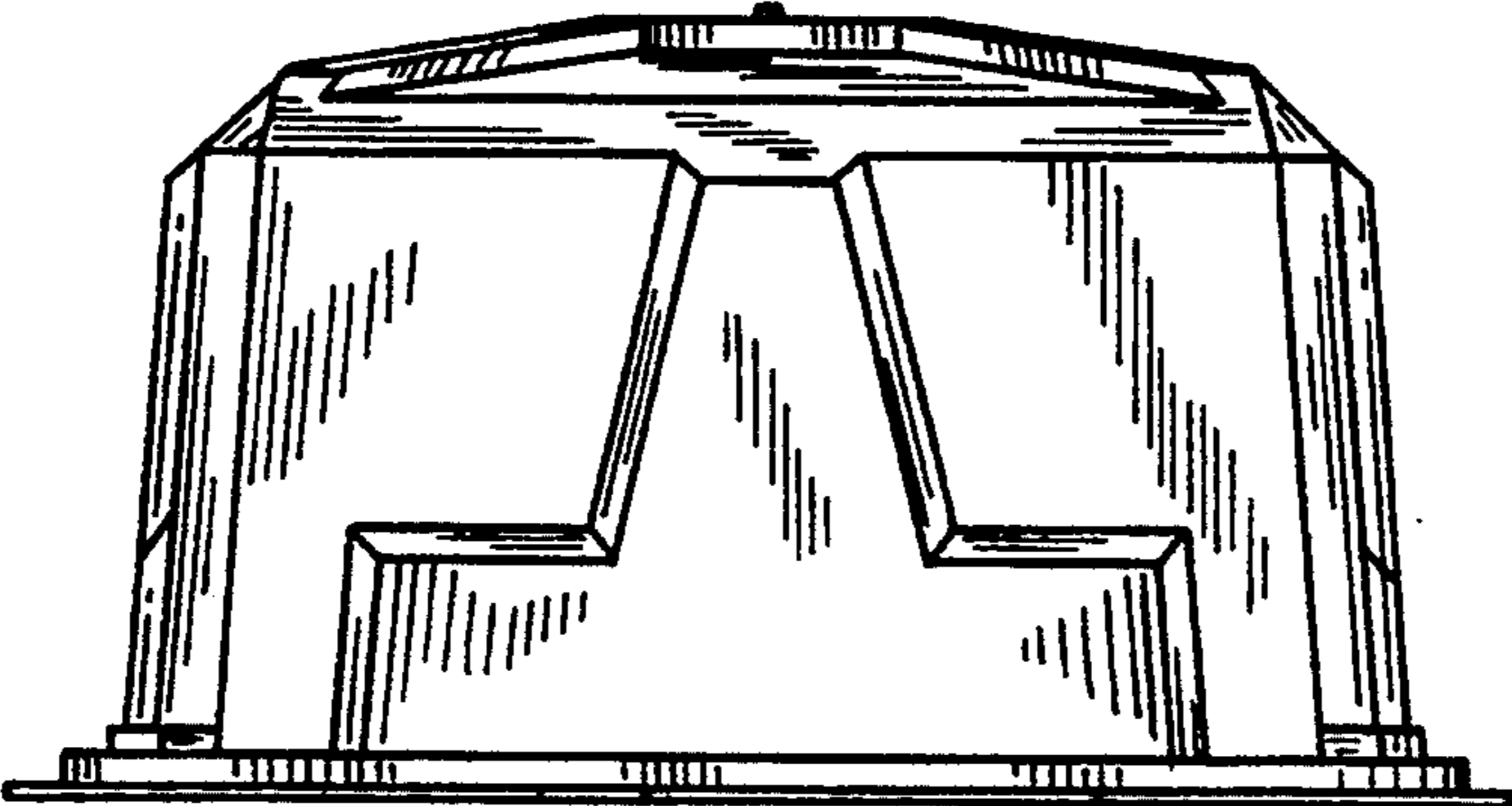


FIG. 2

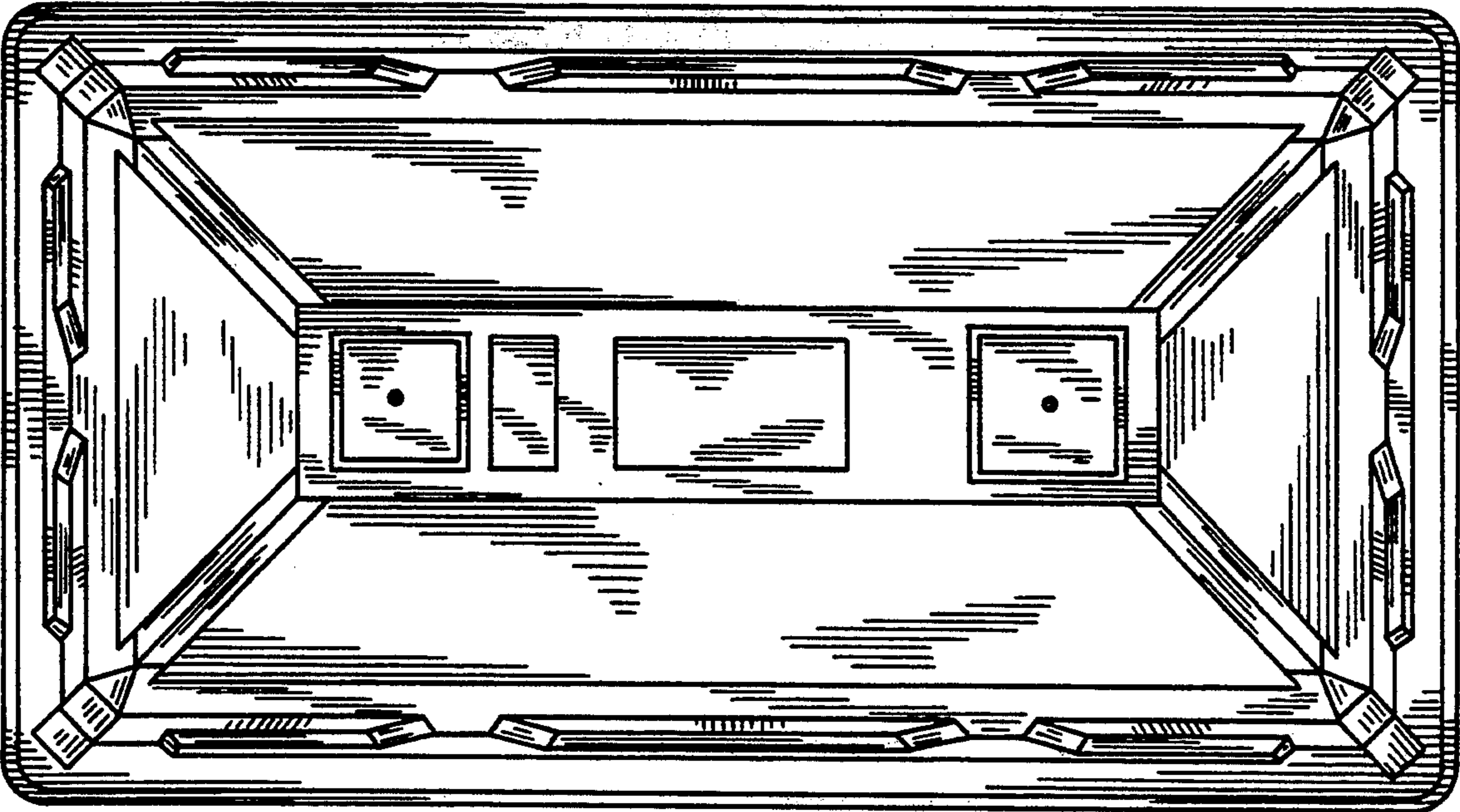


FIG. 3

FIG. 4

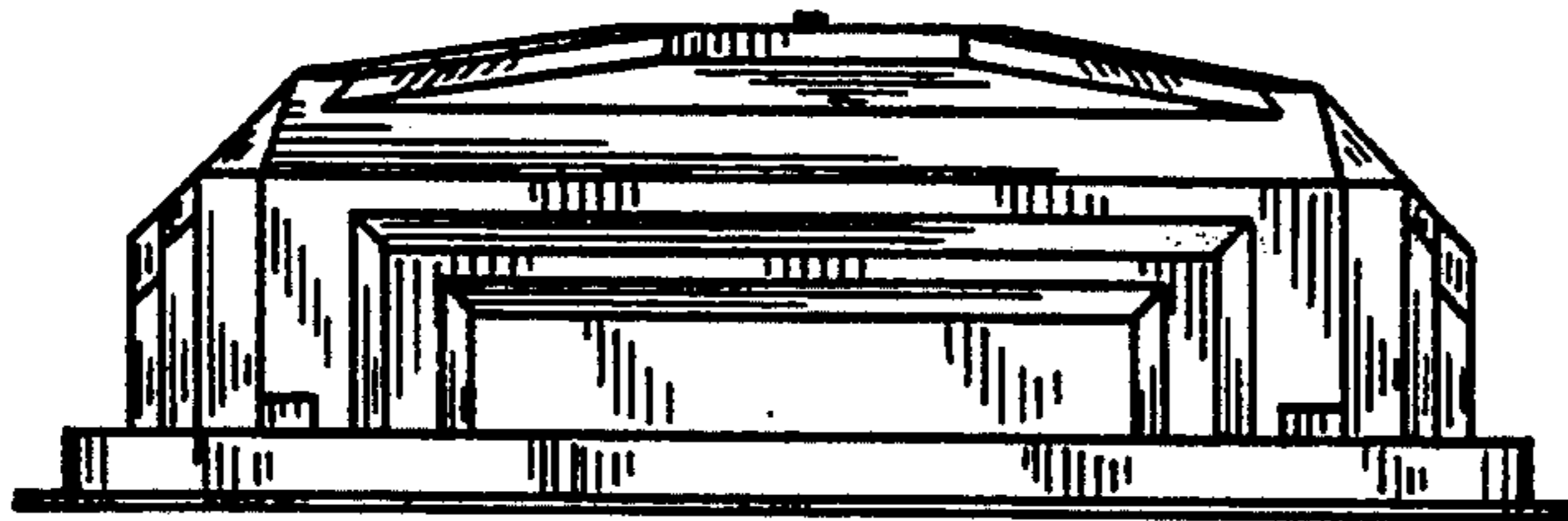
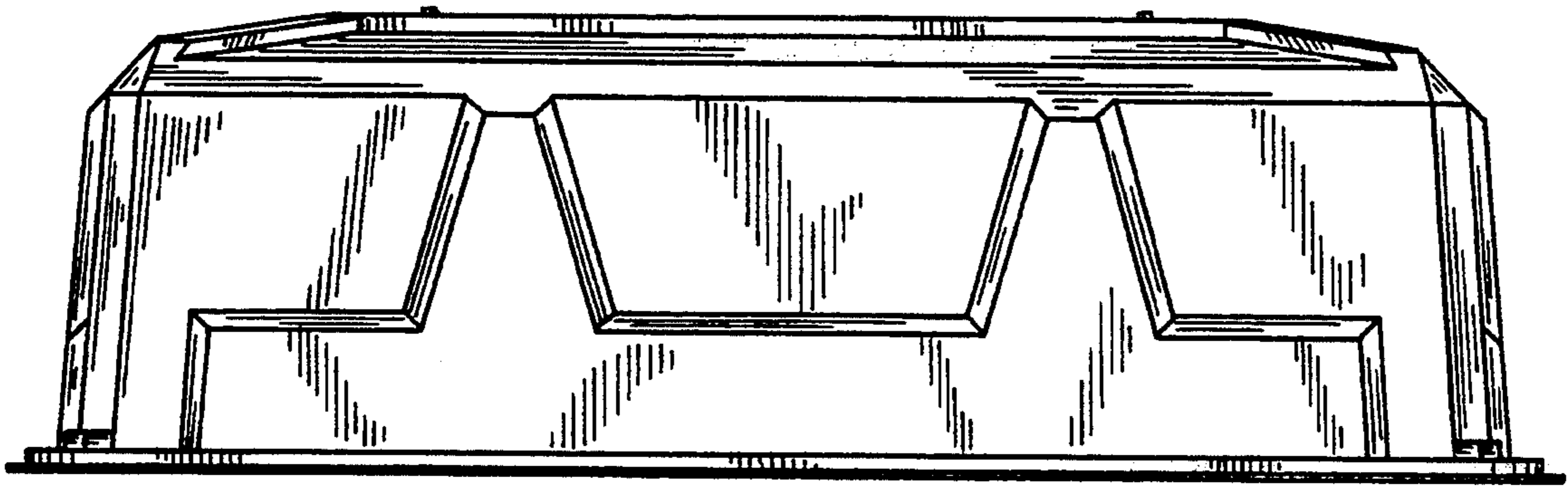


FIG. 7

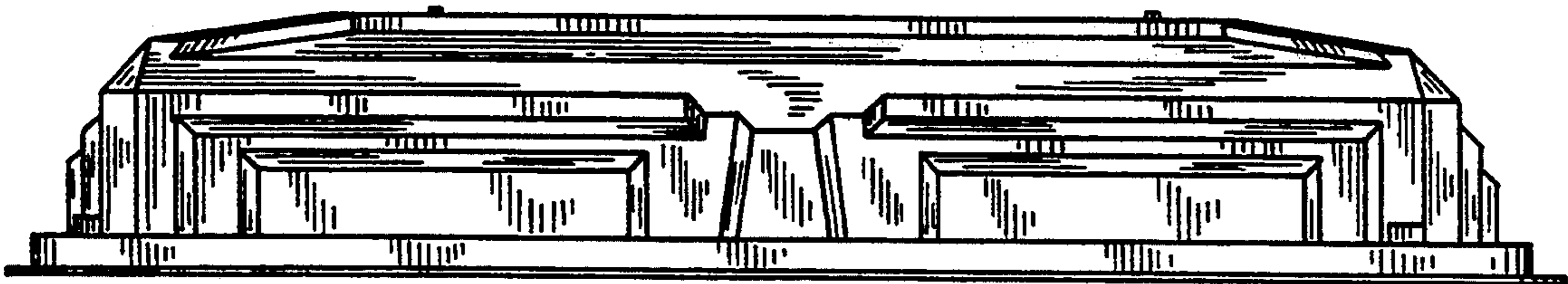


FIG. 8

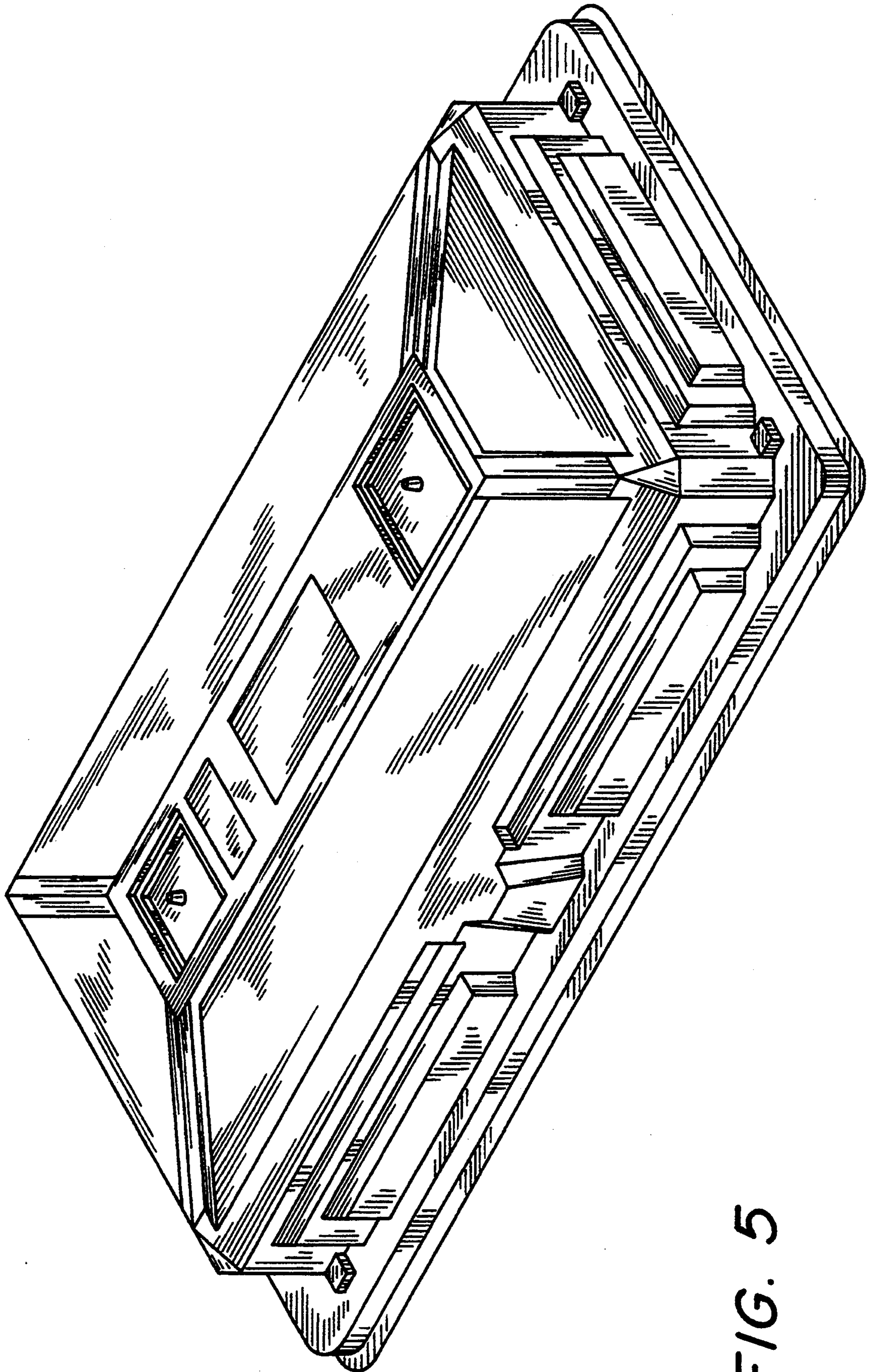


FIG. 5

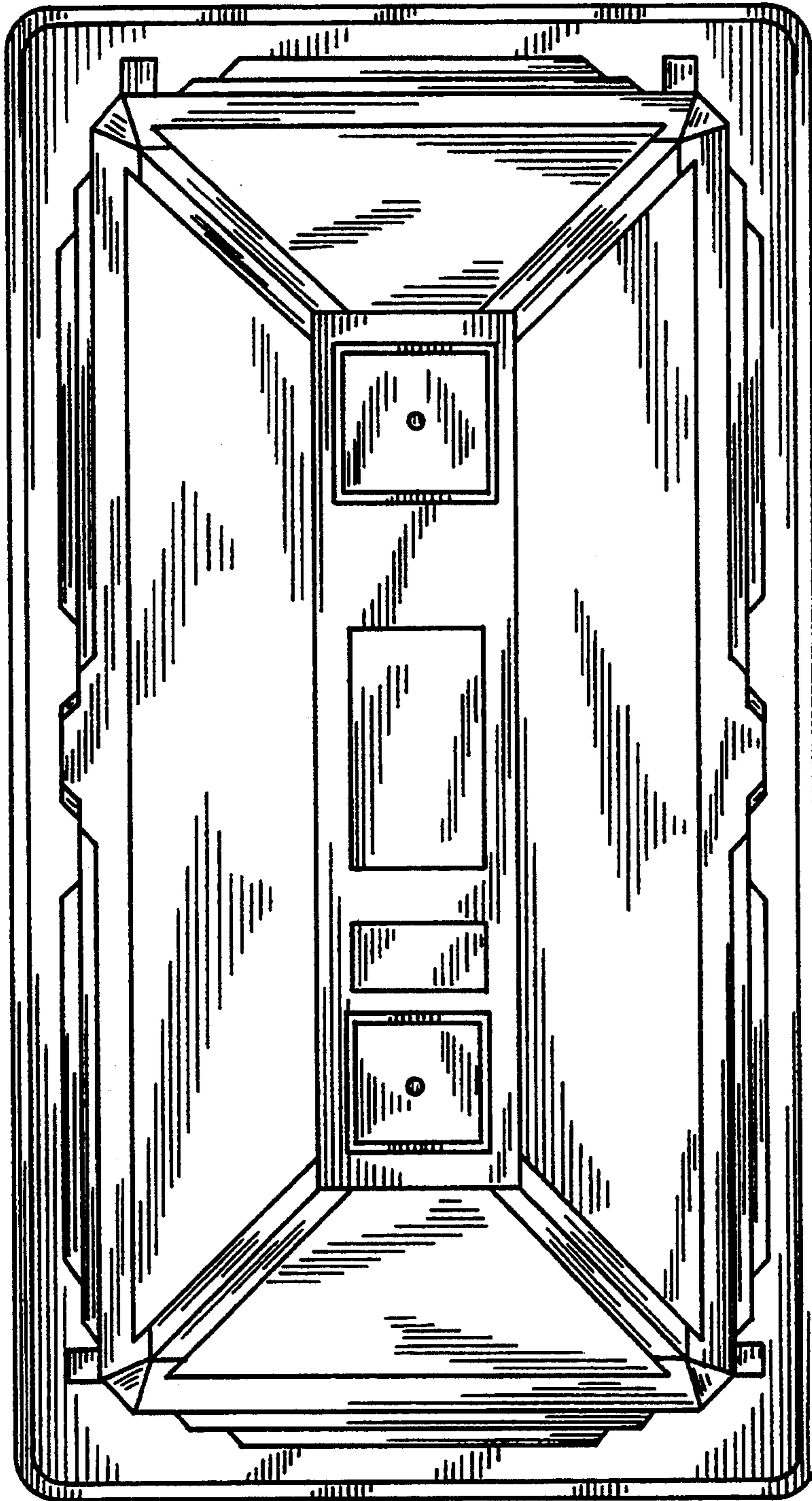


FIG. 6