



US00D352903S

United States Patent [19] Hogan

[11] Patent Number: **Des. 352,903**

[45] Date of Patent: **** Nov. 29, 1994**

[54] **PERFUME FLACON**

[76] Inventor: **Elijah Hogan, P.O. Box 2502,
Kensington, Md. 20891**

[**] Term: **14 Years**

[21] Appl. No.: **16,854**

[22] Filed: **Dec. 28, 1993**

[52] U.S. Cl. **D9/520; D9/529;
D9/566; D9/568**

[58] Field of Search **D9/529, 566, 553, 568,
D9/520, 562; 215/1 R, 1 C; D28/91.1**

[56] **References Cited**

U.S. PATENT DOCUMENTS

D. 50,011 12/1916 Bell D9/529
D. 82,317 10/1930 Danco D9/568 X

D. 86,841 4/1932 Joseph D9/529
D. 123,204 10/1940 Carey D9/566
D. 184,392 2/1959 DuPree D9/568 X
D. 305,617 1/1990 Hayman et al. D9/529

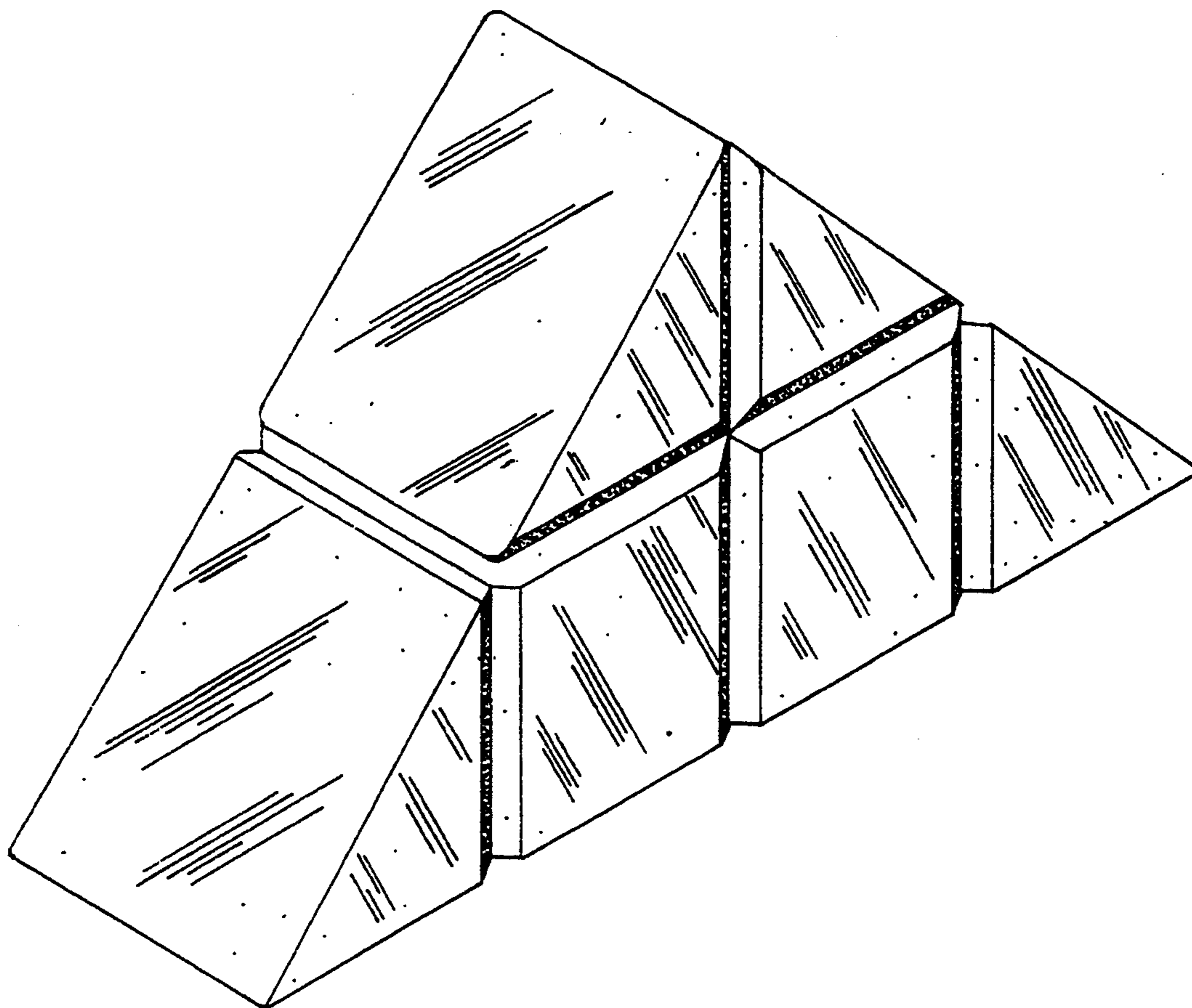
Primary Examiner—Lucy J. Lieberman

[57] **CLAIM**

The ornamental design for a perfume flacon, as shown and described.

DESCRIPTION

FIG. 1 is a front elevational view of a perfume flacon showing my new design, the side opposite being a mirror image of the side shown;
FIG. 2 is a perspective view thereof;
FIG. 3 is a top plan view thereof;
FIG. 4 is a bottom plan view thereof; and,
FIG. 5 is a side elevational view thereof, the side opposite being a mirror image of the side shown.



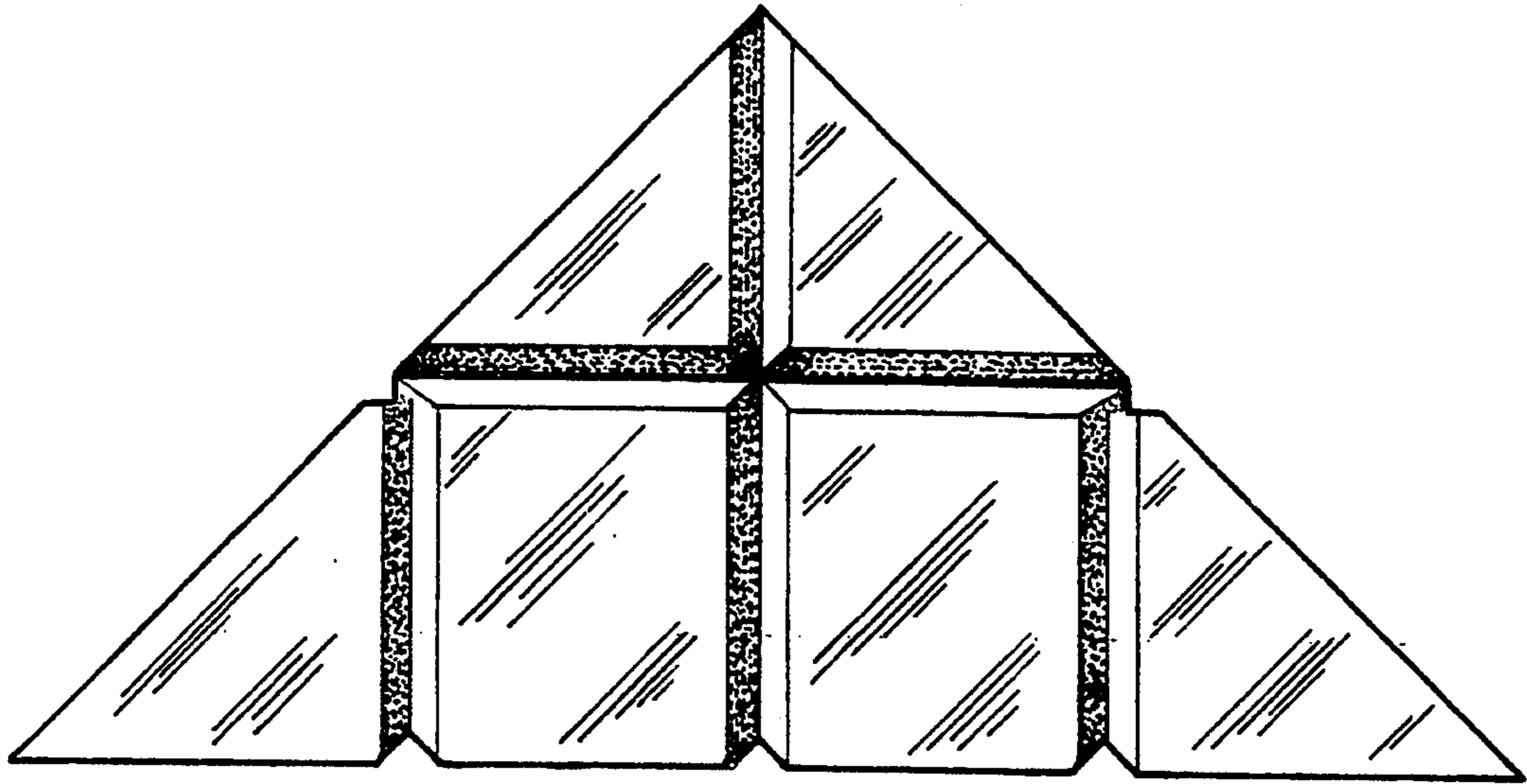


FIG. 1

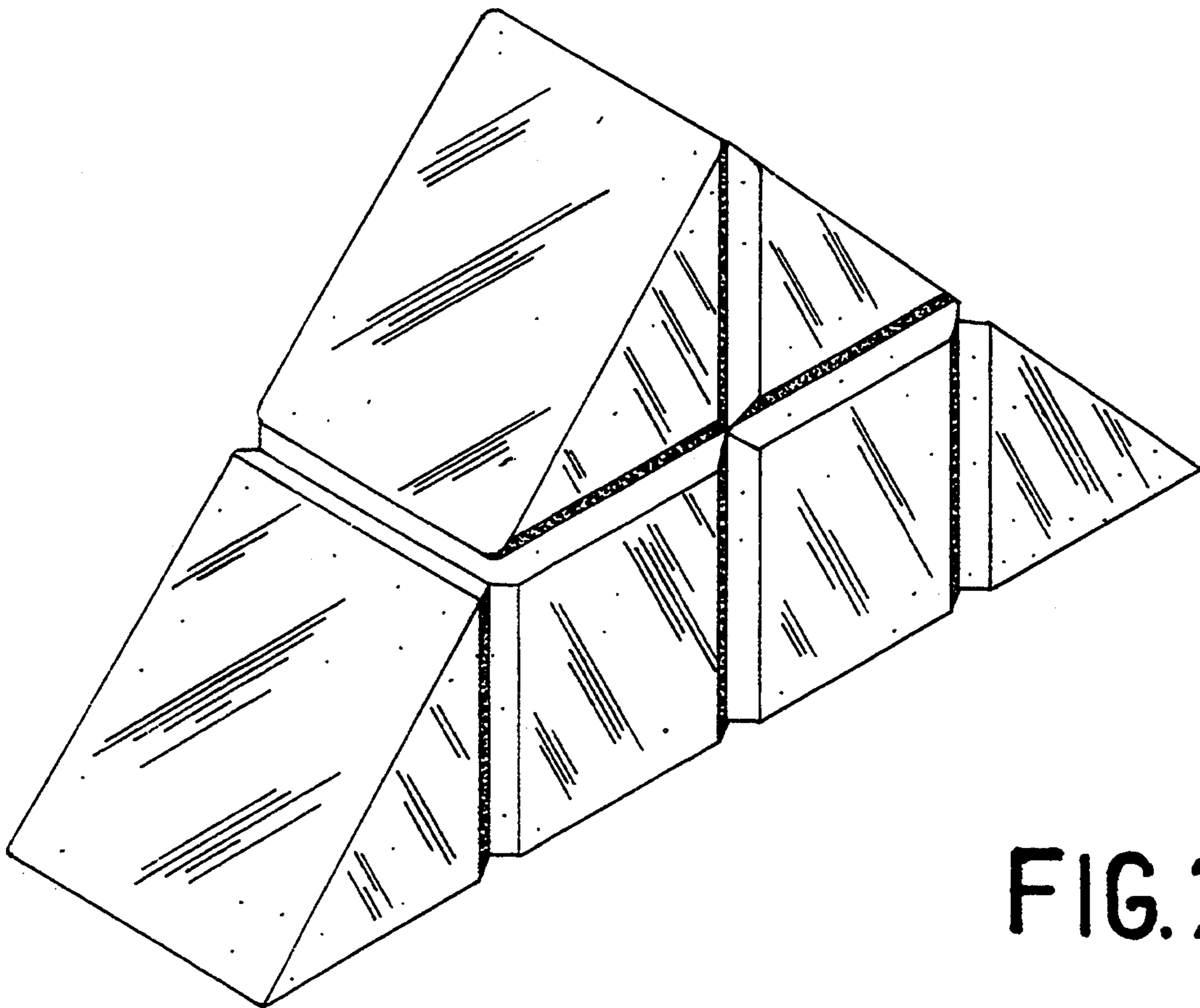


FIG. 2

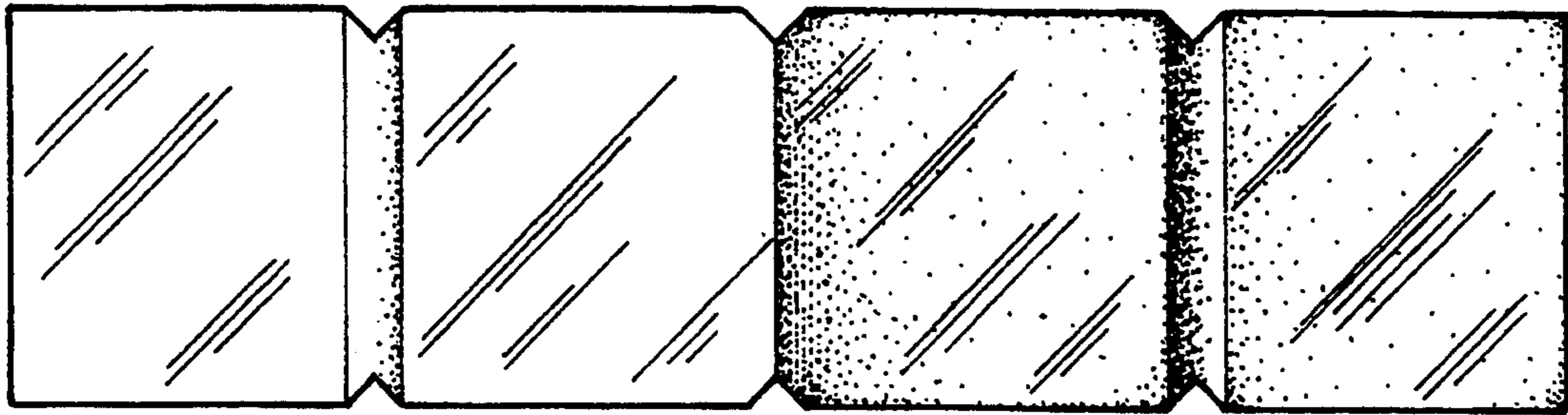


FIG. 3

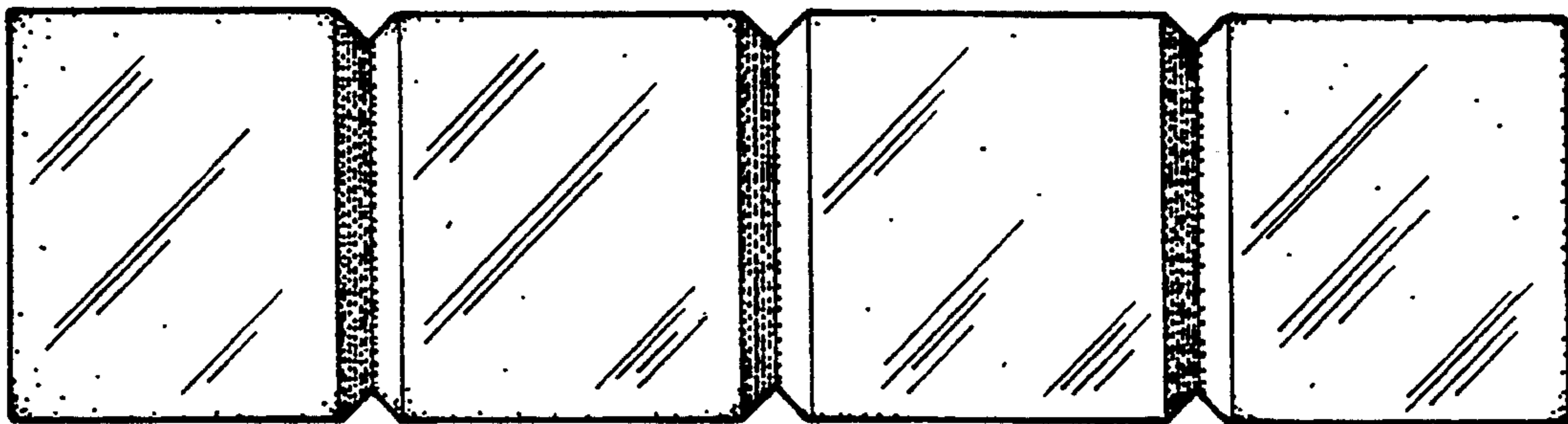


FIG. 4

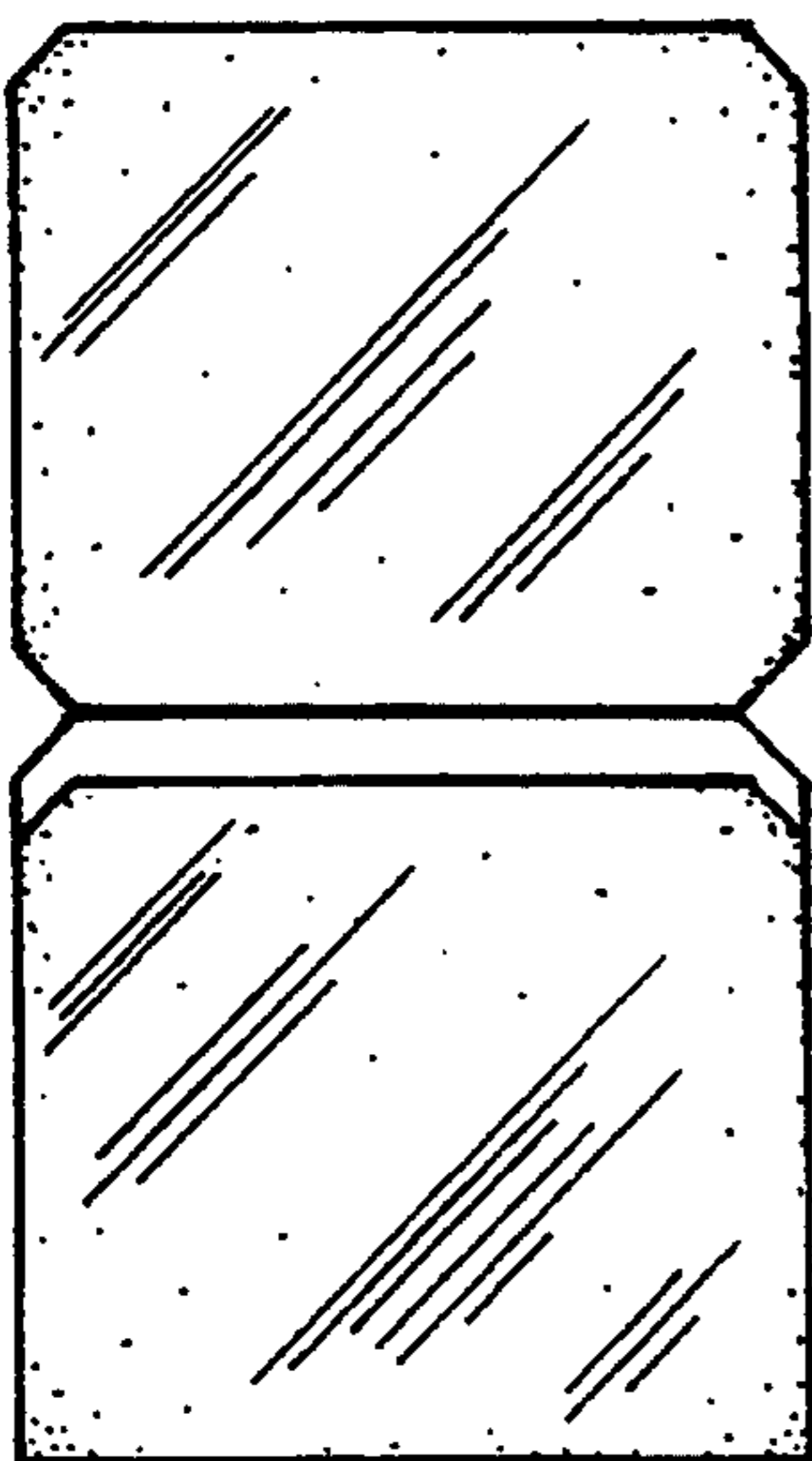


FIG. 5