



US00D352900S

United States Patent [19]

Nhan

[11] Patent Number: **Des. 352,900**

[45] Date of Patent: **** Nov. 29, 1994**

[54] **HAND PUMP**

[76] Inventor: **Lip Nhan**, Block 8, 3/F Hoi Fai Industrial Bldg., 10-16 Wo Shing St., Shatin, N T, Hong Kong, China

[**] Term: **14 Years**

[21] Appl. No.: **805,802**

[22] Filed: **Dec. 10, 1991**

[30] **Foreign Application Priority Data**

Jun. 10, 1991 [CN] China 91301412.5

Jun. 10, 1991 [CN] China 91301413.3

[52] U.S. Cl. **D9/448; D9/436**

[58] Field of Search D9/434, 435, 436, 439, D9/440, 448; 215/228, 260, 311; 222/322, 372, 522, 523

[56] **References Cited**

U.S. PATENT DOCUMENTS

D. 157,332 2/1950 Bolard D9/439

D. 199,440 10/1964 Jones et al. D9/439 X

D. 295,374 4/1988 Crutchlow D9/435

4,524,877 6/1985 Saxby et al. 215/260 X
4,723,670 2/1988 Robinson et al. 215/228
4,889,250 12/1989 Beyer 215/260 X

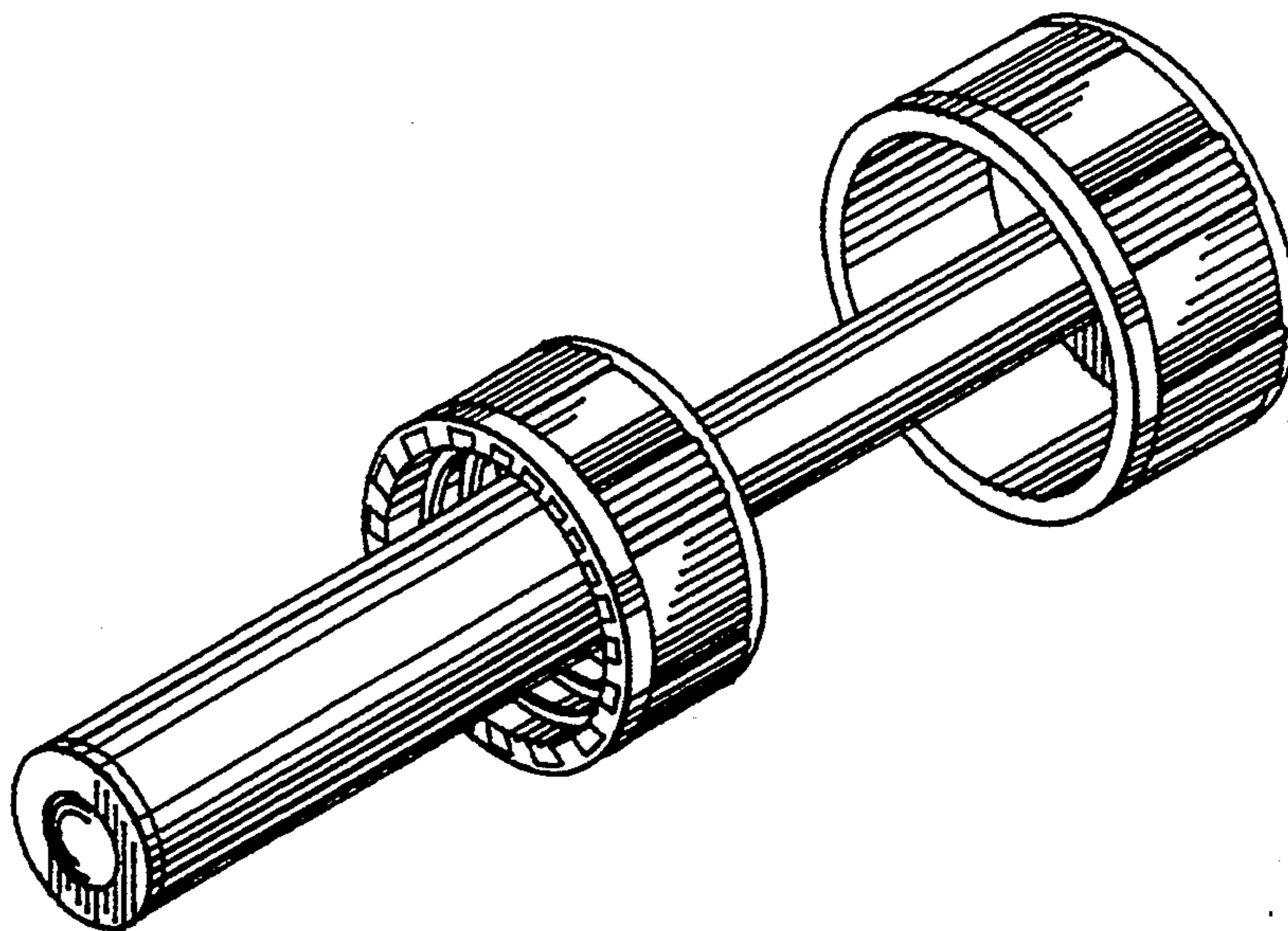
Primary Examiner—Alan P. Douglas
Assistant Examiner—Robert M. Spear
Attorney, Agent, or Firm—Steven G. Roeder

[57] **CLAIM**

The ornamental design of a hand pump, as shown and described.

DESCRIPTION

FIG. 1 is a front elevational view of a hand pump showing a first preferred embodiment of my new design (with the pump plunger in an opened position), the rear being a mirror image;
FIG. 2 is a top plan view of the hand pump of FIG. 1;
FIG. 3 is a bottom plan view of the hand pump in FIG. 1;
FIG. 4 is a front elevational view of the hand pump of FIG. 1 (with the pump plunger in a closed position), the rear being a mirror image; and,
FIG. 5 is a perspective view of the hand pump of FIG. 1 (with the pump plunger in an opened position).



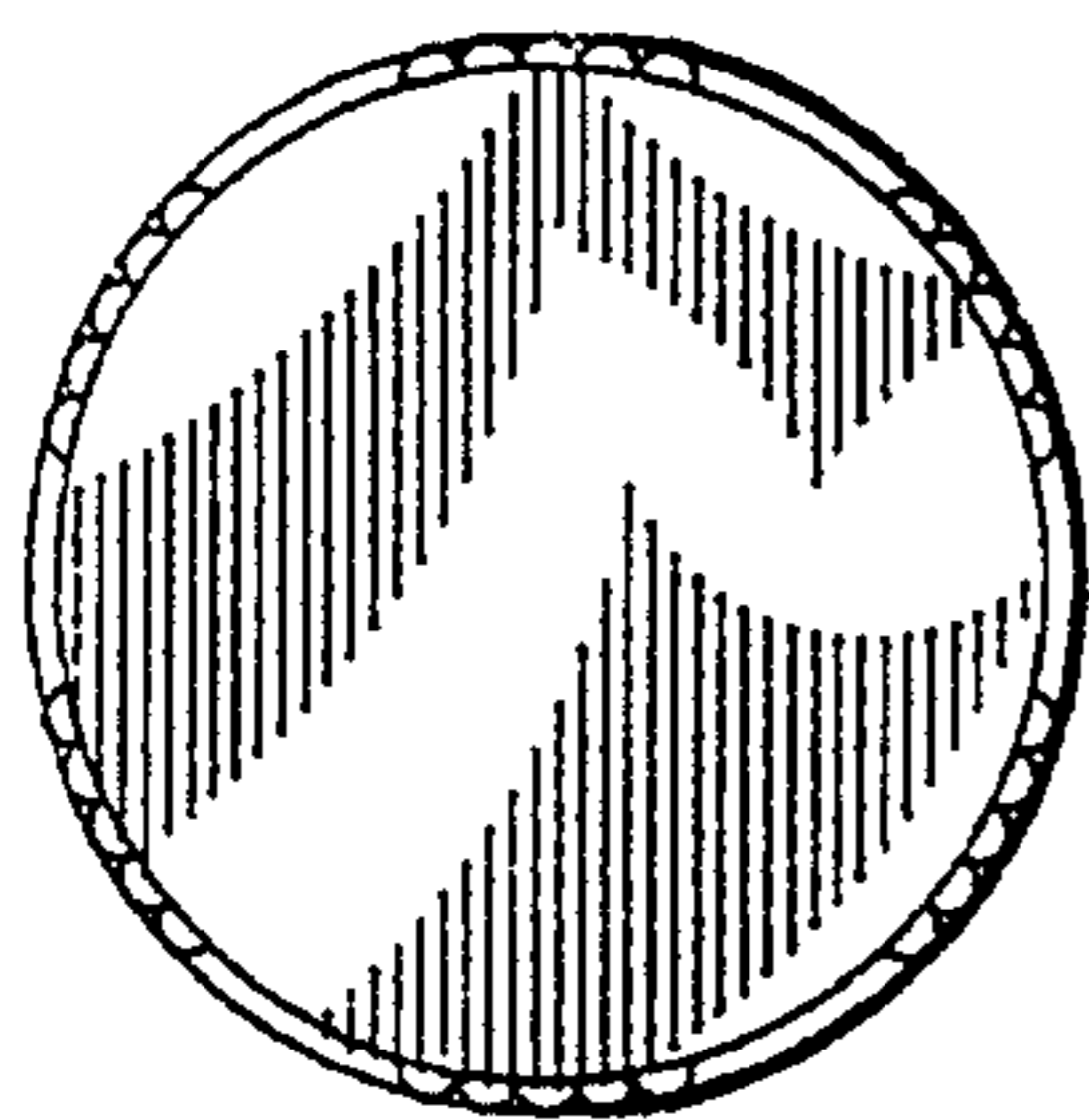


FIG. 2

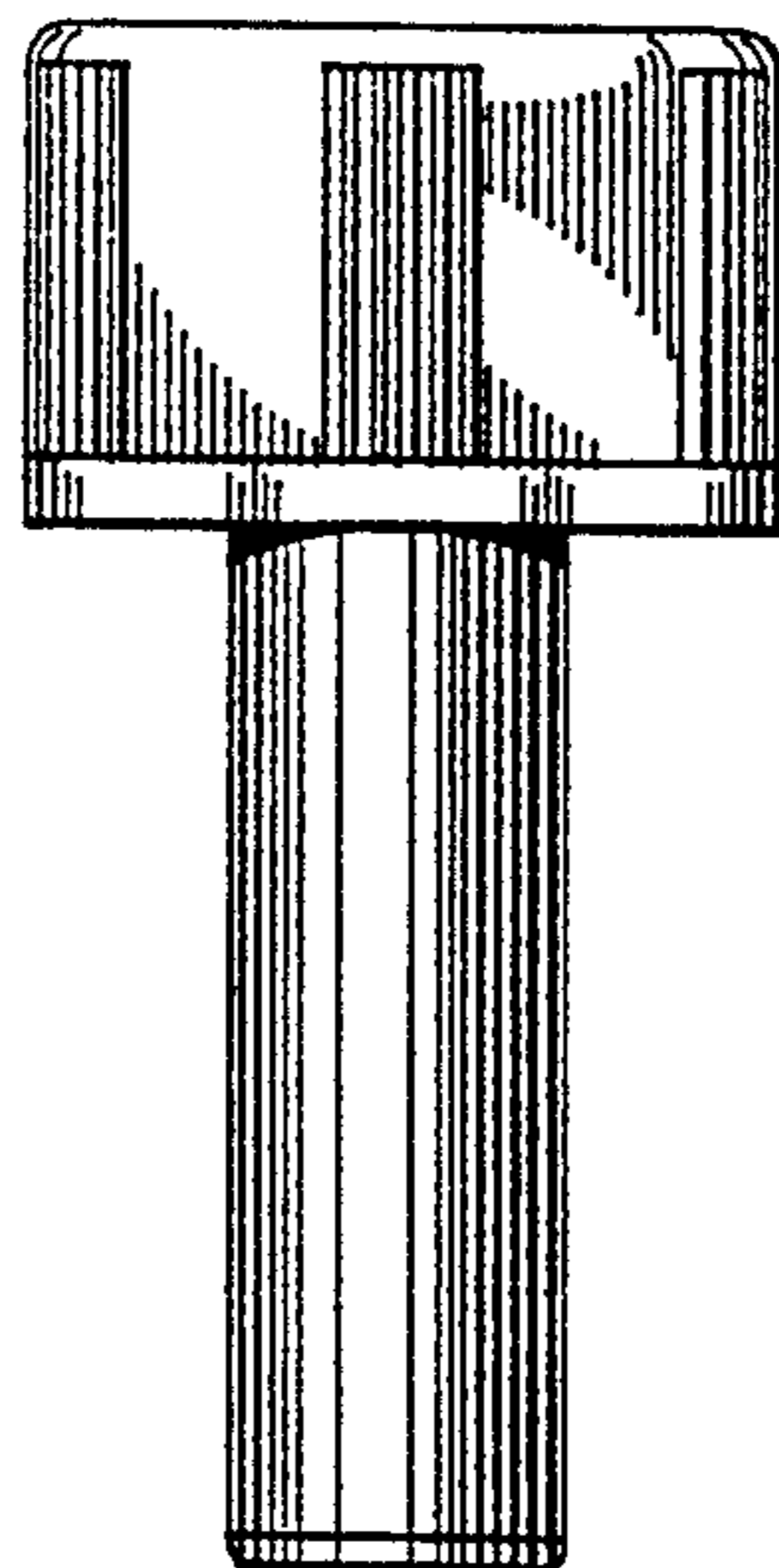


FIG. 4

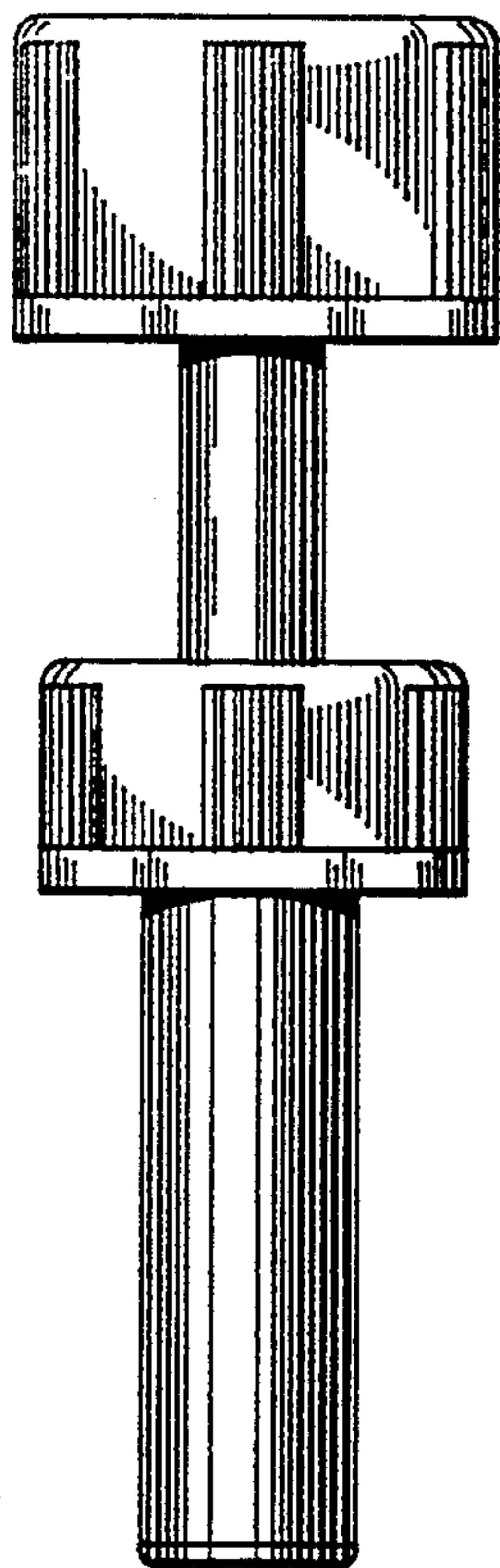


FIG. 1

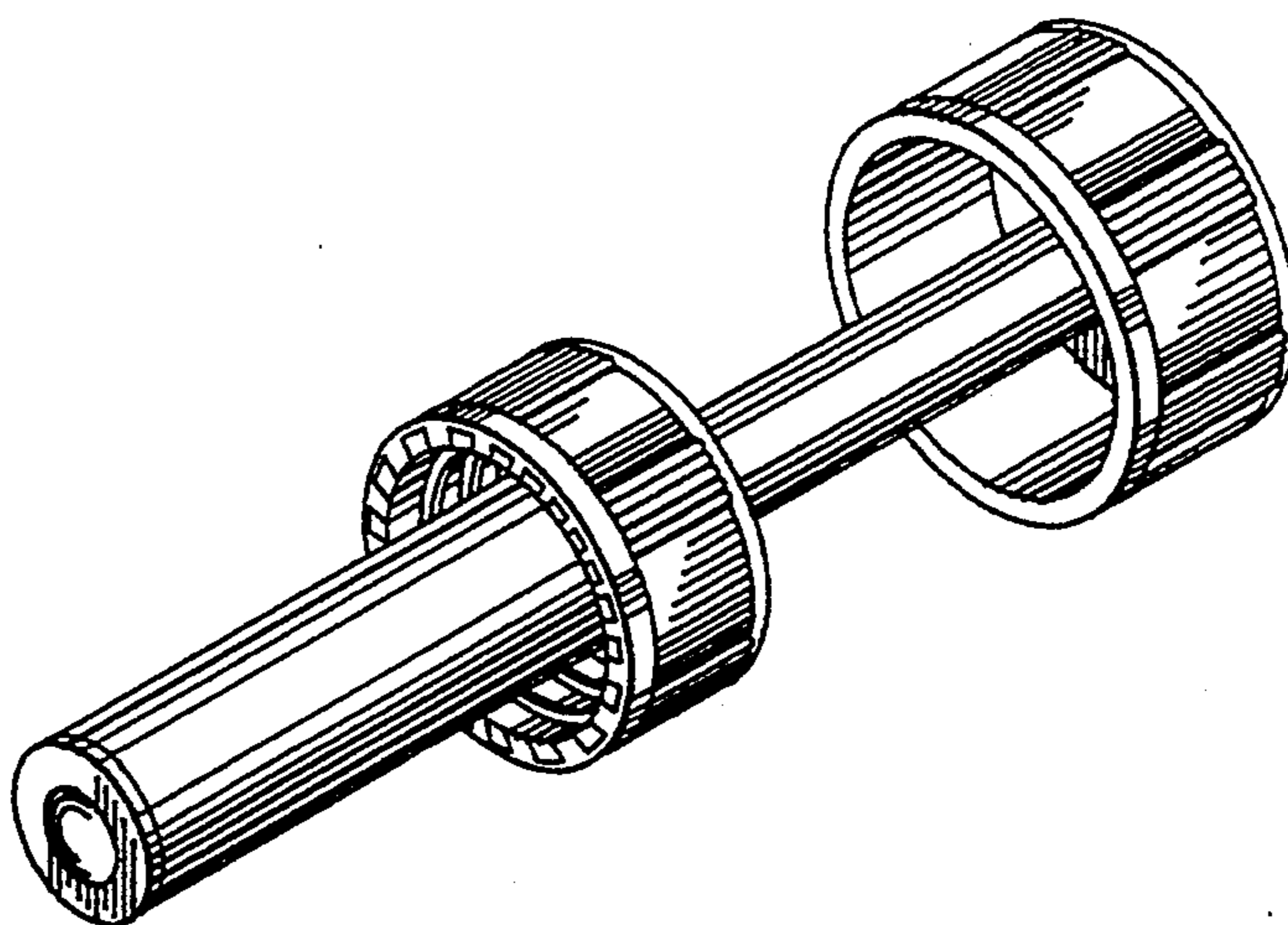


FIG. 5

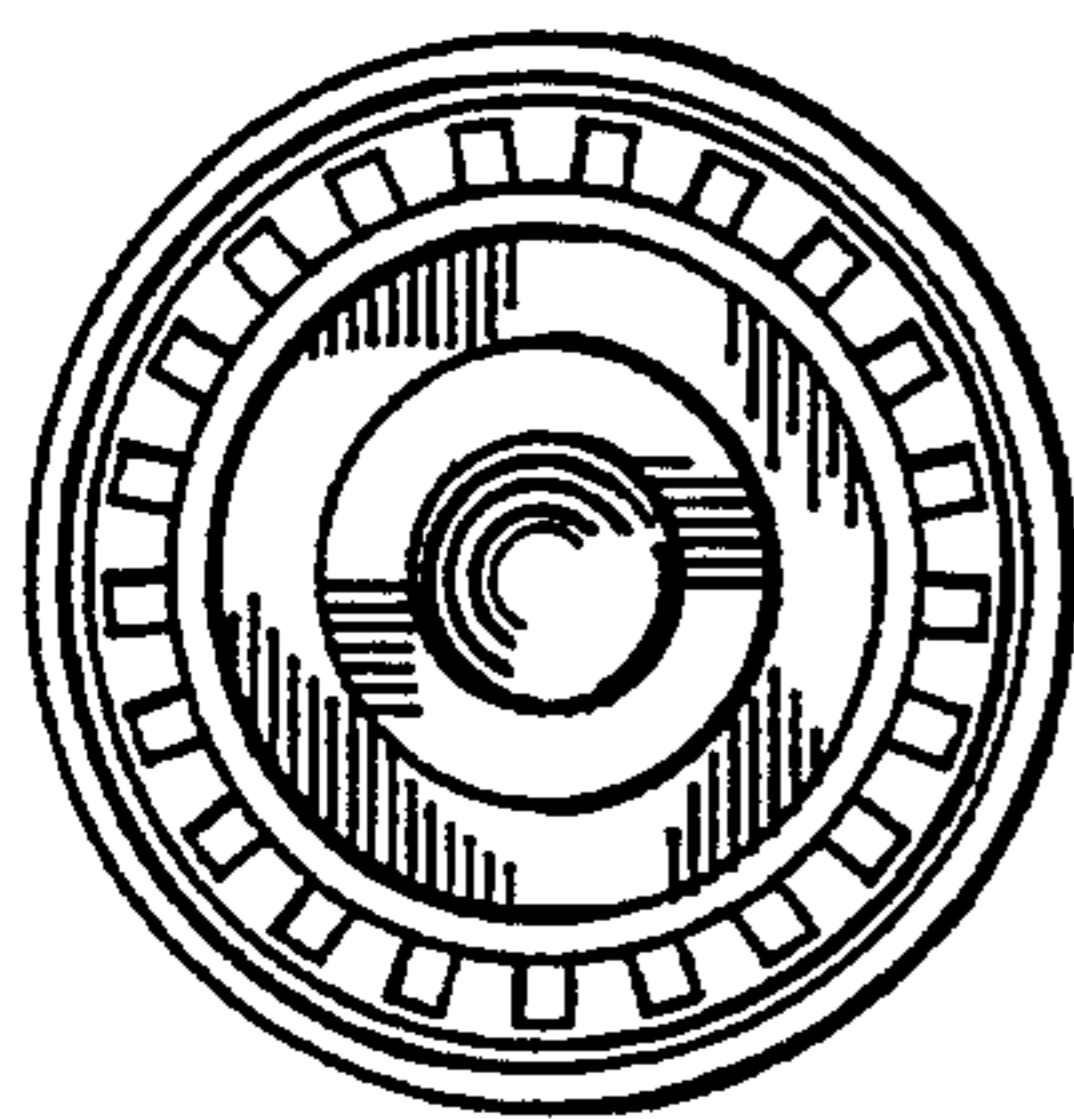


FIG. 3