



US00D352898S

# United States Patent [19]

[11] Patent Number: **Des. 352,898**

Vacher

[45] Date of Patent: **\*\* Nov. 29, 1994**

- [54] **EASY OPENING END CLOSURE**
- [75] Inventor: **Jean P. Vacher, Elancourt, France**
- [73] Assignee: **CarnaudMetalbox S.A., France**
- [\*\*] Term: **14 Years**
- [21] Appl. No.: **1,330**
- [22] Filed: **Nov. 10, 1992**
- [52] U.S. Cl. .... **D9/438**
- [58] Field of Search ..... **D9/434-435,**  
**D9/438, 443, 449, 454, 499; 215/250, 253, 256;**  
**220/265, 269-270**

### FOREIGN PATENT DOCUMENTS

- 267574 11/1988 France .
- 267575 11/1988 France .

*Primary Examiner*—Alan P. Douglas  
*Assistant Examiner*—Robert M. Spear  
*Attorney, Agent, or Firm*—Diller, Ramik & Wight

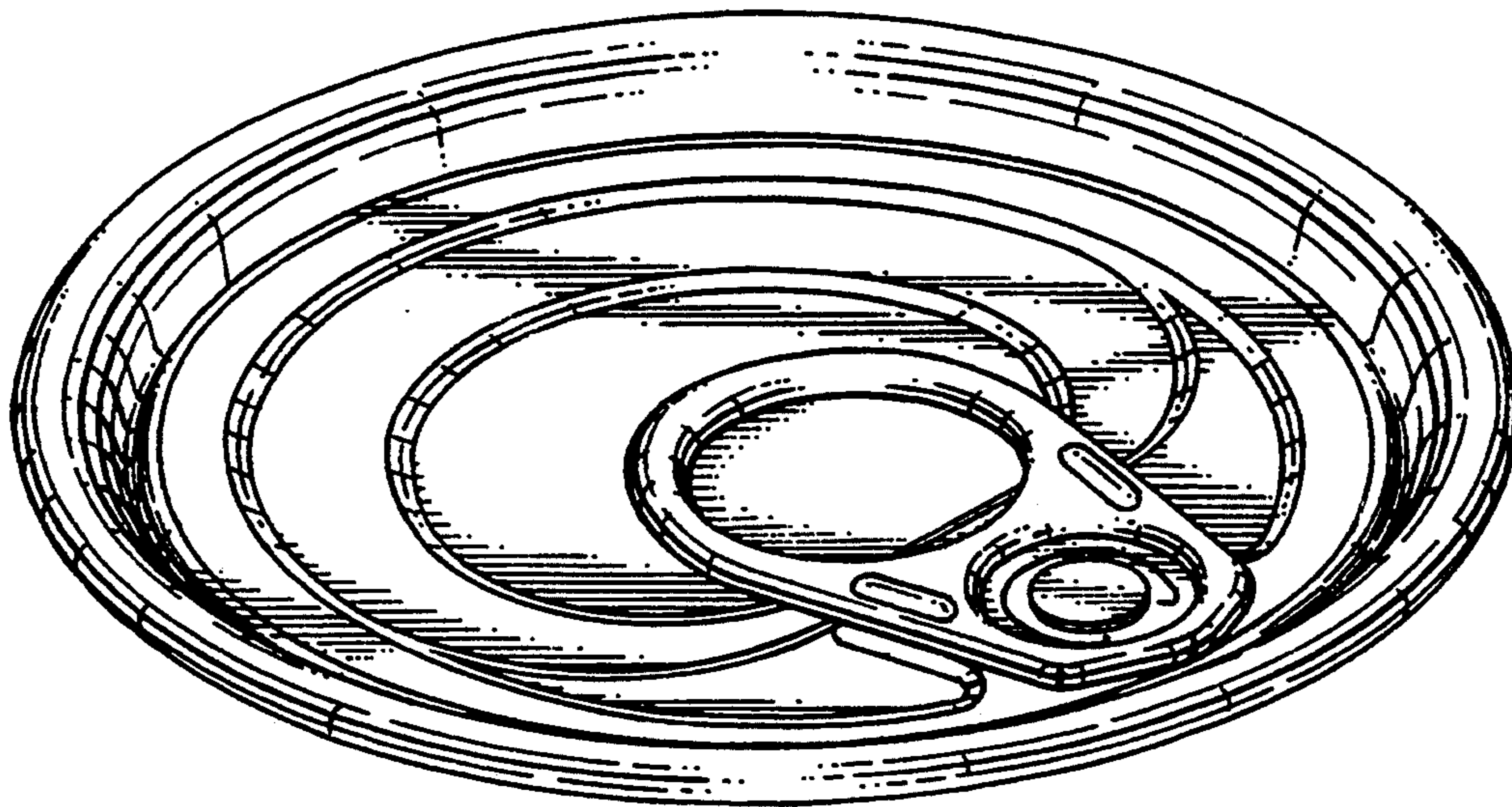
### [57] CLAIM

The ornamental design for an easy opening end closure, as shown and described.

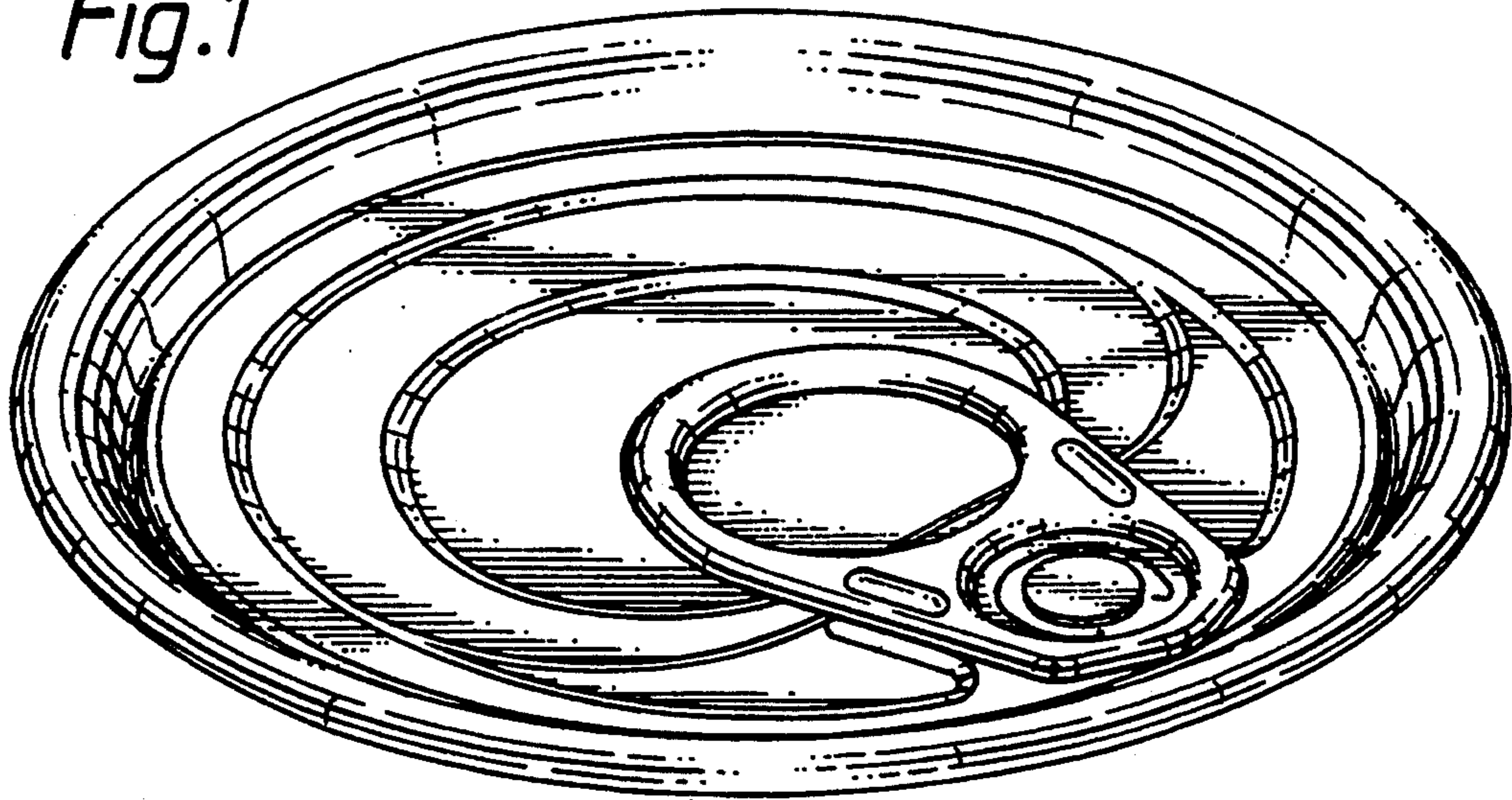
### DESCRIPTION

FIG. 1 is a top perspective view of an easy opening end closure, showing my new design;  
 FIG. 2 is a bottom plan view thereof;  
 FIG. 3 is a top plan view thereof;  
 FIG. 4 is a side elevational view thereof, all other side views being identical thereto;  
 FIG. 5 is a cross sectional view taken along line 5—5 in FIG. 3.

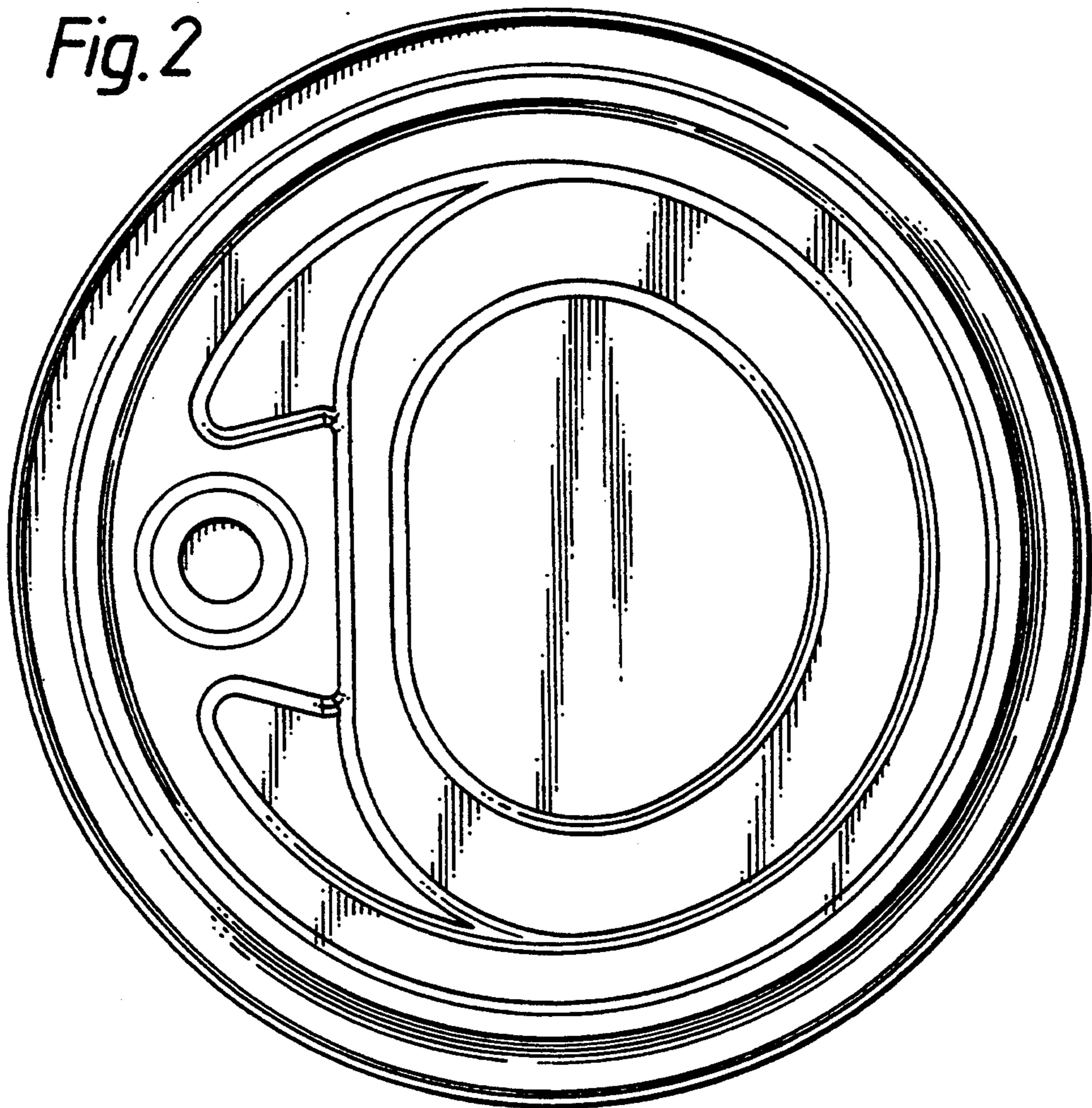
- [56] **References Cited**
- U.S. PATENT DOCUMENTS**
- D. 243,833 3/1977 Markert ..... D9/438
- D. 337,521 7/1993 McNulty ..... D9/438
- 4,572,393 2/1986 Kobayashi et al. .... 220/270
- 5,069,356 12/1991 Zysset ..... 220/270



*Fig.1*

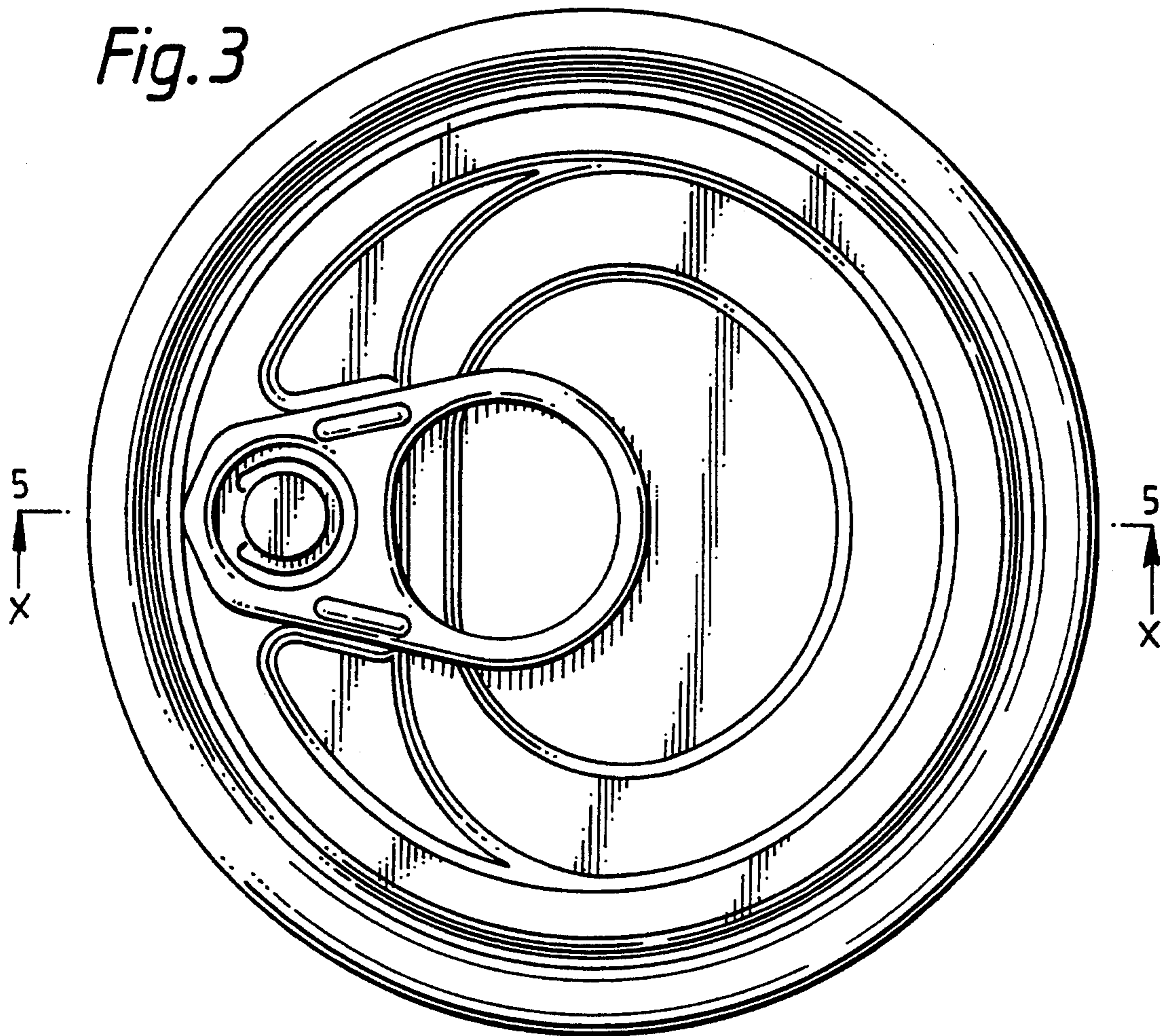


*Fig.2*

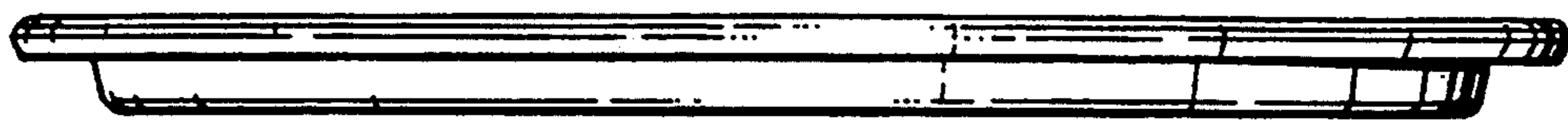




*Fig. 3*



*Fig. 4*



*Fig. 5*

