



US00D352896S

United States Patent [19]

[11] Patent Number: Des. 352,896

Jones

[45] Date of Patent: ** Nov. 29, 1994

[54] CONTAINER WITH FLYING TOY LID

[76] Inventor: Wayne Jones, 305 Lariat La., Idaho Falls, Id. 83404

[**] Term: 14 Years

[21] Appl. No.: 7,993

[22] Filed: May 7, 1993

[52] U.S. Cl. D9/428

[58] Field of Search D9/428, 429, 424, 337, D9/414, 503; D7/601, 629, 641; 220/305, 212, 356, 200, 307, 376, 377, 380; 206/44 R, 45.13, 315.1, 457, 458; 273/317, 424, 425, 426; 446/46; D21/85, 86

3,545,760	12/1970	Wilson .	
3,850,341	11/1974	Bart .	
3,957,097	5/1976	Swett	220/356 X
4,354,326	10/1982	Mathews .	
4,568,297	2/1986	Dunipace .	
5,150,869	9/1992	Gould et al. .	
5,173,070	12/1992	Gould .	

OTHER PUBLICATIONS

Rubbermaid, Jun. 1985, p. 5, item circled.

Primary Examiner—Prabhakar G. Deshmukh
Attorney, Agent, or Firm—Kimmel, Crowell & Weaver

[57] CLAIM

The ornamental design for a container with flying toy lid, as shown and described.

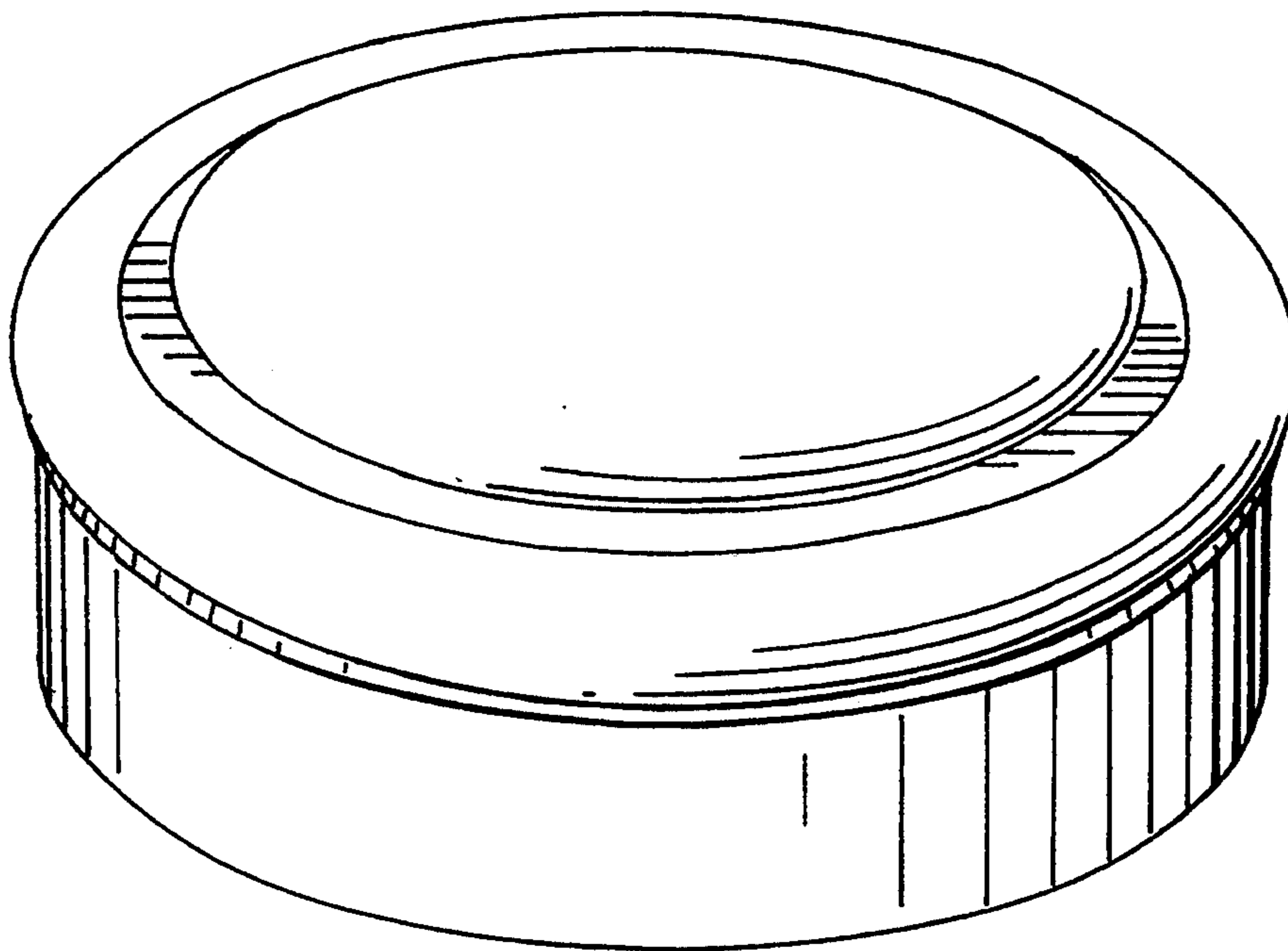
DESCRIPTION

FIG. 1 is a perspective view of a container with flying toy lid, showing my new design; FIG. 2 is an exploded perspective view thereof; and, FIG. 3 is a sectional view thereof, taken on the plane 3—3 in FIG. 2, showing top and bottom surface contours.

[56] References Cited

U.S. PATENT DOCUMENTS

D. 216,552	2/1970	Curry et al.	D9/503 X
D. 280,076	8/1985	Haag, Sr.	D9/428 X
D. 313,353	1/1991	Hart et al.	D9/428
1,201,341	10/1916	Pearson	220/356 X
2,816,589	12/1957	Tupper	220/305



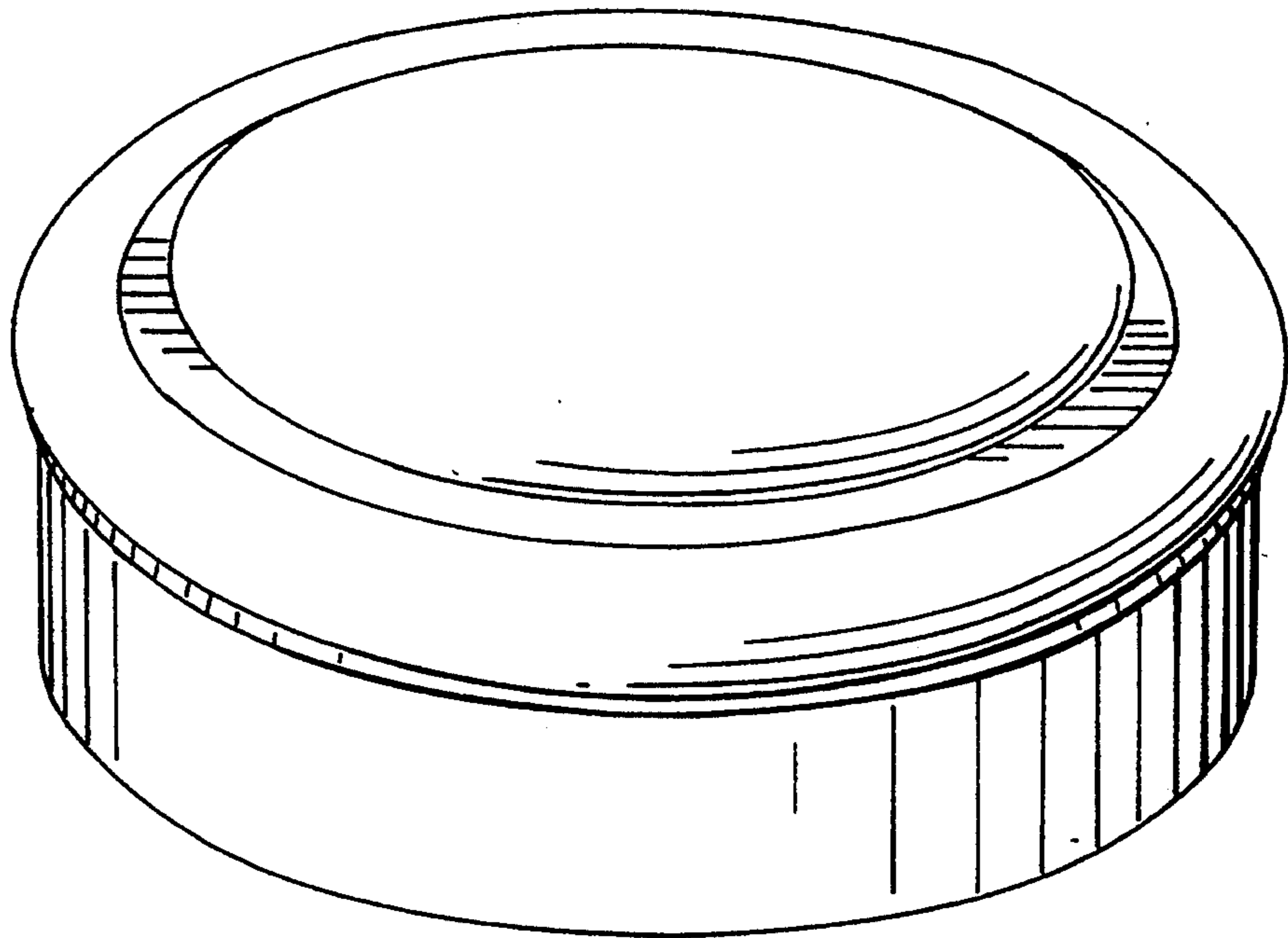


FIG. 1

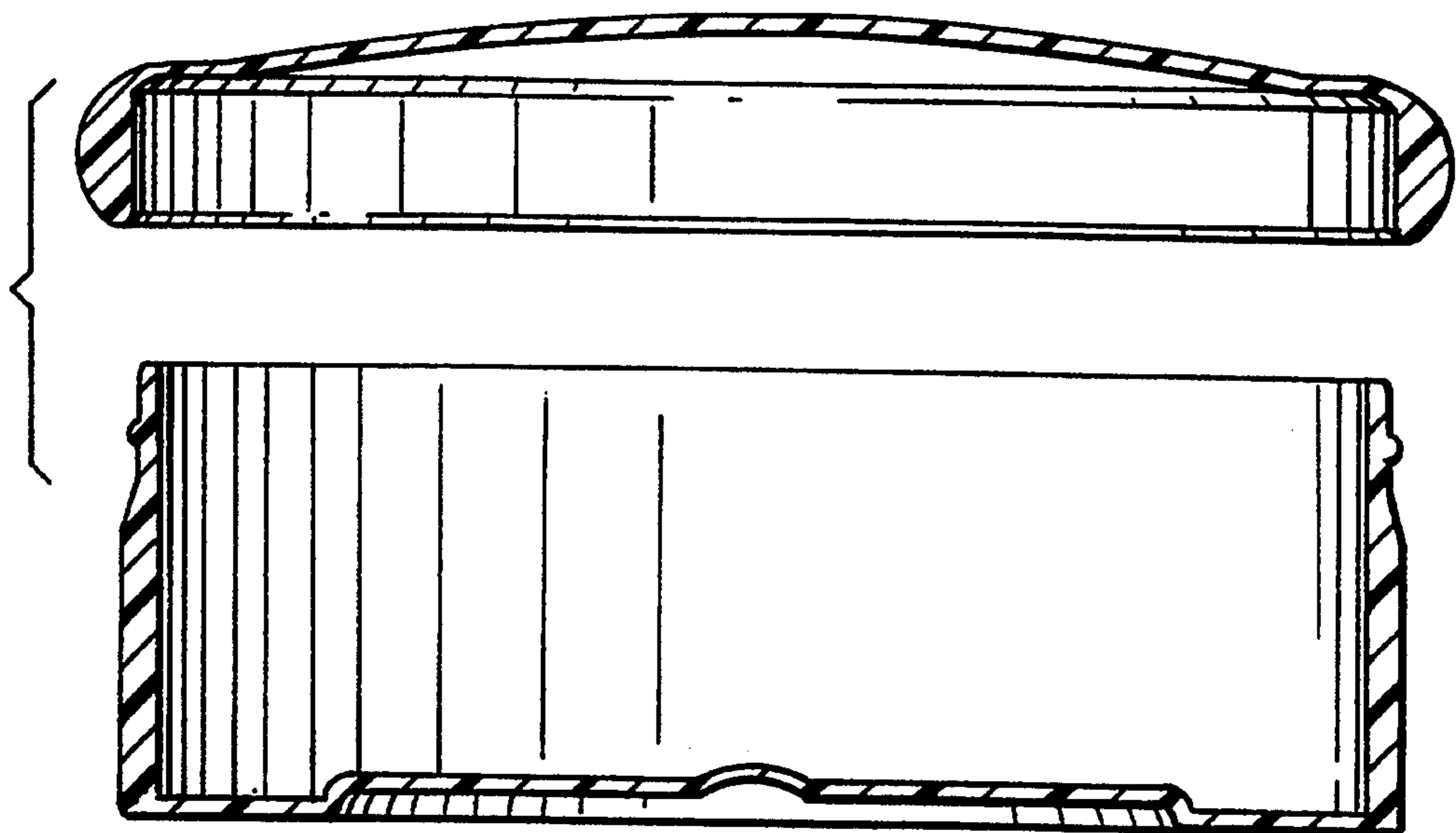


FIG. 3

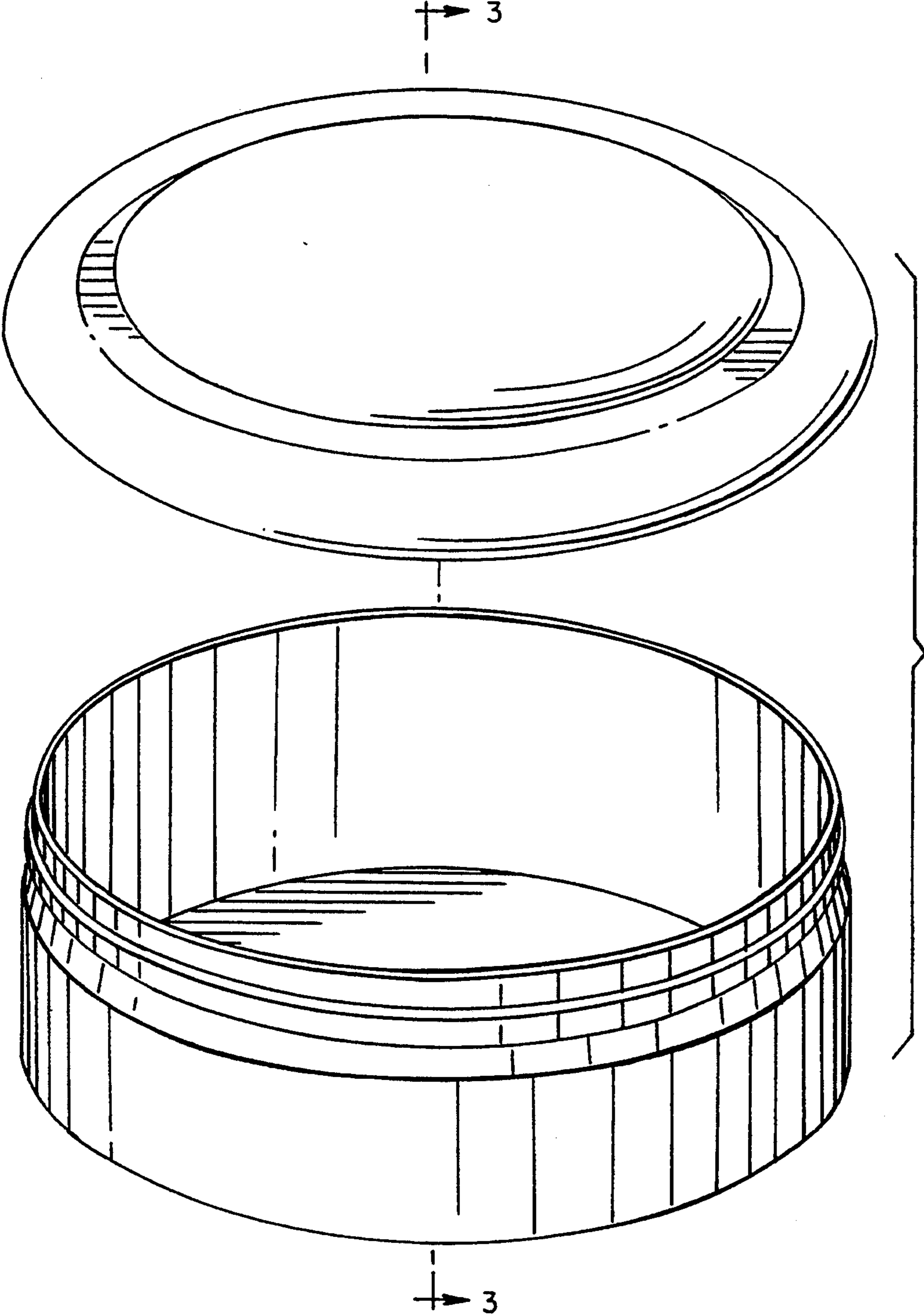


FIG. 2