



US00D352894S

# United States Patent [19]

[11] Patent Number: **Des. 352,894**

Halaburda et al.

[45] Date of Patent: **\*\* Nov. 29, 1994**

[54] **BATTERY CONTAINER AND DISPLAY PACKAGE**

[75] Inventors: **Daniel J. Halaburda, Rockaway, N.J.; David Dombrowski, Essex; William H. Valls, Harwinton, both of Conn.**

[73] Assignee: **Matsushita Electric Corporation of America, Secaucus, N.J.**

[\*\*] Term: **14 Years**

[21] Appl. No.: **3,872**

[22] Filed: **Jan. 21, 1993**

[52] U.S. Cl. .... **D9/415**

[58] Field of Search ..... **D9/415, 418, 346, 341; D6/512, 535; 206/461-471, 806, 468, 333, 445, 45.31, 45.33, 45.34, 45.14; 229/2.5 R; 220/337, 339, 23.4, 23.6, 23.8, 4.23, 4.22, 339**

4,234,080	11/1980	Gellert .....	220/4.23 X
4,378,068	3/1983	Bell .....	206/806 X
4,383,607	5/1983	Lordahl et al. .	
4,402,423	9/1983	Skowronski et al. ....	206/806 X
4,424,906	1/1984	Richmond .....	206/45.14
4,512,474	4/1985	Harding .	
4,739,883	4/1988	Mohs et al. .	
4,884,718	12/1989	Leahy .	
4,896,770	1/1990	Calcerano et al. .	
4,930,627	6/1990	Borst et al. .	
4,938,352	7/1990	Calcerano et al. .	
4,958,731	9/1990	Calcerano .....	206/471 X
4,971,197	11/1990	Worley .	
5,018,622	5/1991	Hartley .	
5,029,705	7/1991	Schmidt et al. .	
5,038,936	8/1991	Borst .	
5,052,557	10/1991	Contino et al. .	
5,117,976	6/1992	Whitt et al. .	

*Primary Examiner*—Prabhakar G. Deshmukh  
*Attorney, Agent, or Firm*—Amster, Rothstein & Ebenstein

[56] **References Cited**

**U.S. PATENT DOCUMENTS**

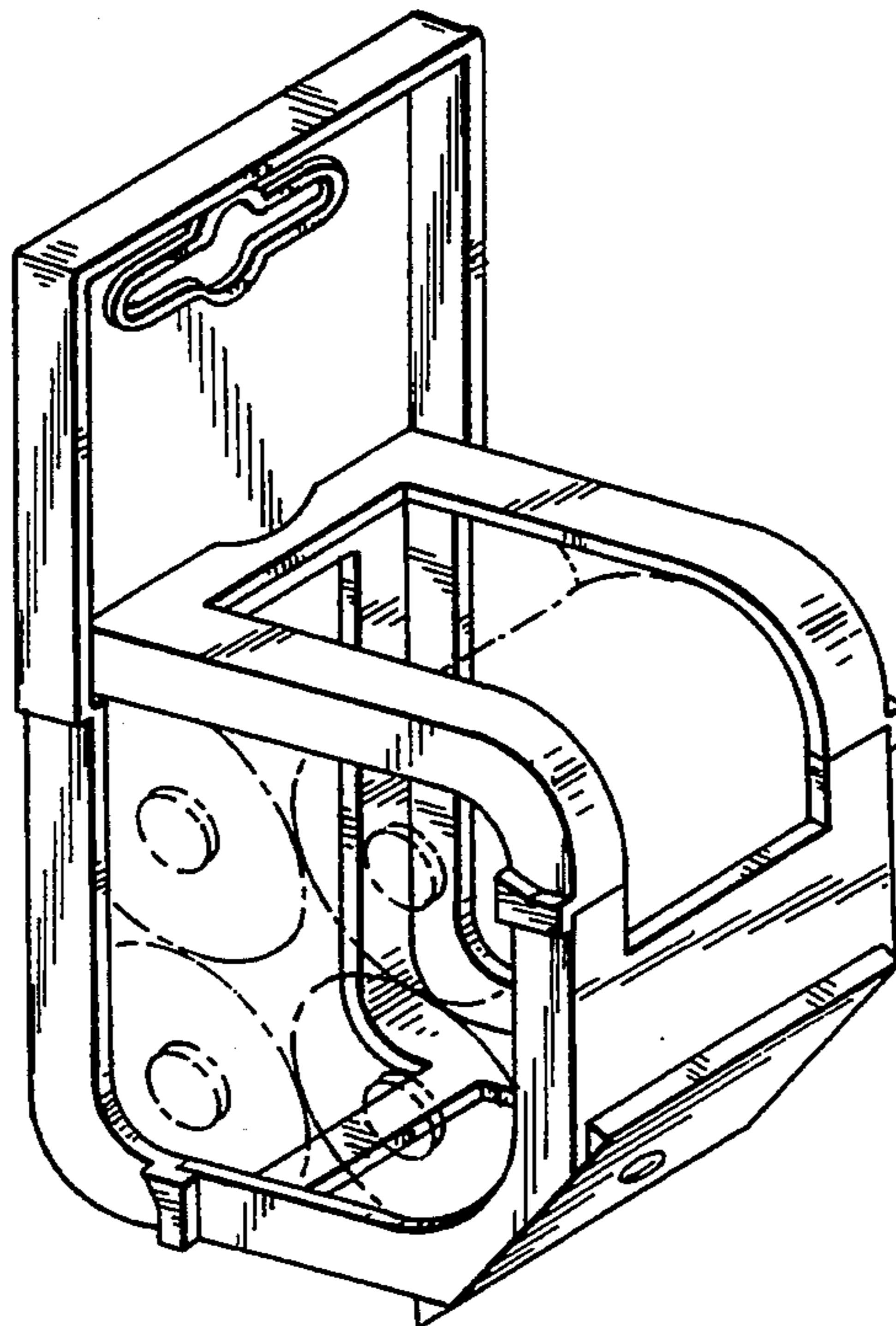
D. 196,988	11/1963	Wills et al. .	
D. 197,862	3/1964	Wills et al. .	
D. 222,581	11/1971	Nakakuma .	
D. 315,871	4/1991	Whitebread .	
D. 341,777	11/1993	Sheu .....	D9/341 X
D. 344,233	2/1994	Peters .....	D9/415
3,029,937	4/1962	Vogt .	
3,095,133	6/1963	Vogt .	
3,844,409	10/1974	Bodolay et al. .	
3,863,837	2/1975	Spiegel et al. .	
3,881,601	5/1975	Walus et al. .	
4,130,200	12/1978	Iepson et al. .	
4,139,093	2/1979	Holmes .....	220/4.23 X
4,166,532	9/1979	Tsuchida et al. .	

[57] **CLAIM**

The ornamental design for a battery container and display package, as shown and described.

**DESCRIPTION**

FIG. 1 is a perspective view of a battery container and display package showing our new design; FIG. 2 is a left side elevational view thereof; the right side elevational view being a mirror image thereof; FIG. 3 is a front elevational view thereof; FIG. 4 is a rear elevational view thereof; FIG. 5 is a top plan view thereof; and, FIG. 6 is a bottom plan view thereof. The broken line showing of batteries is for illustrative purpose only and forms no part of the claim.



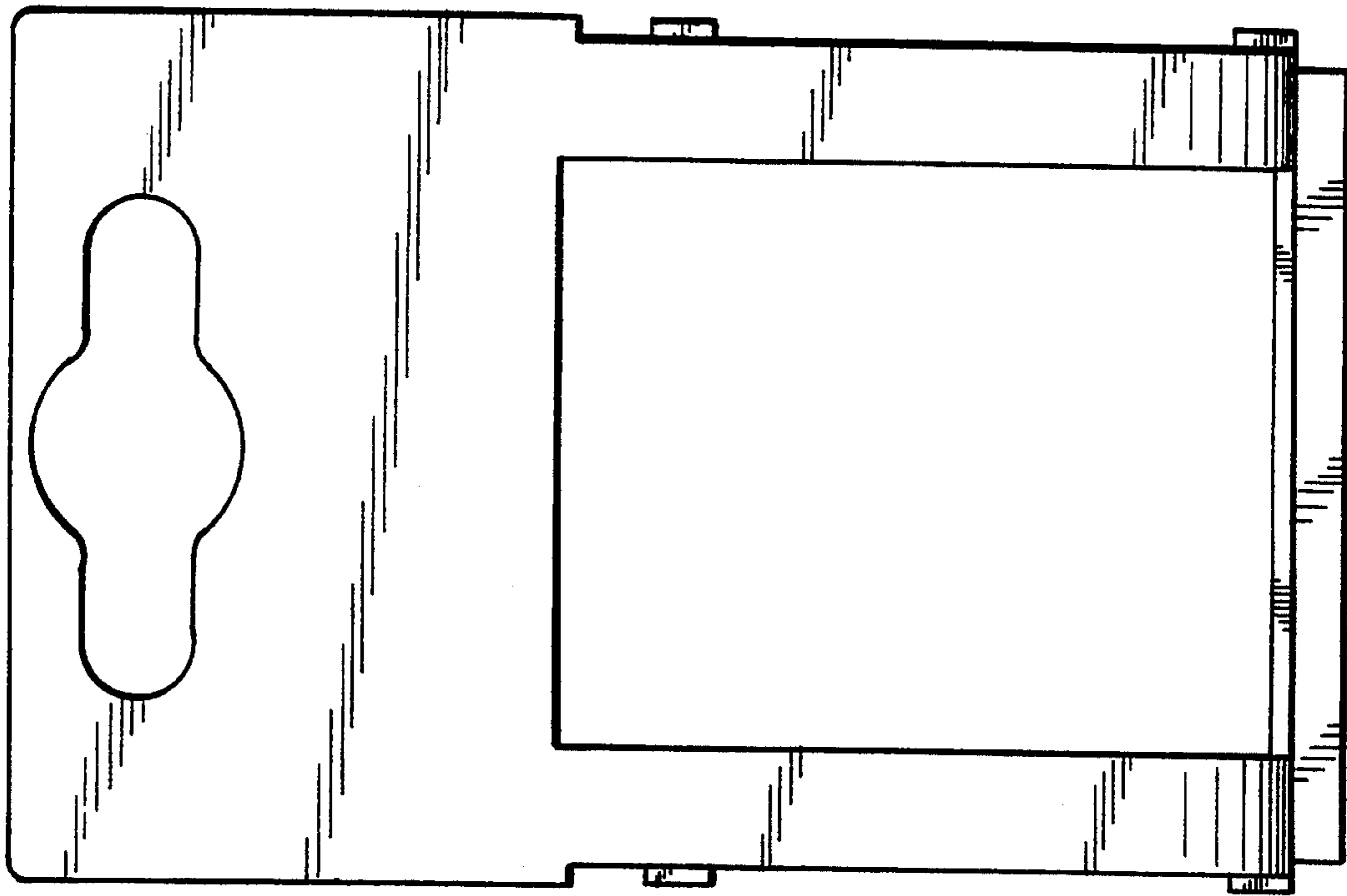


FIG. 4

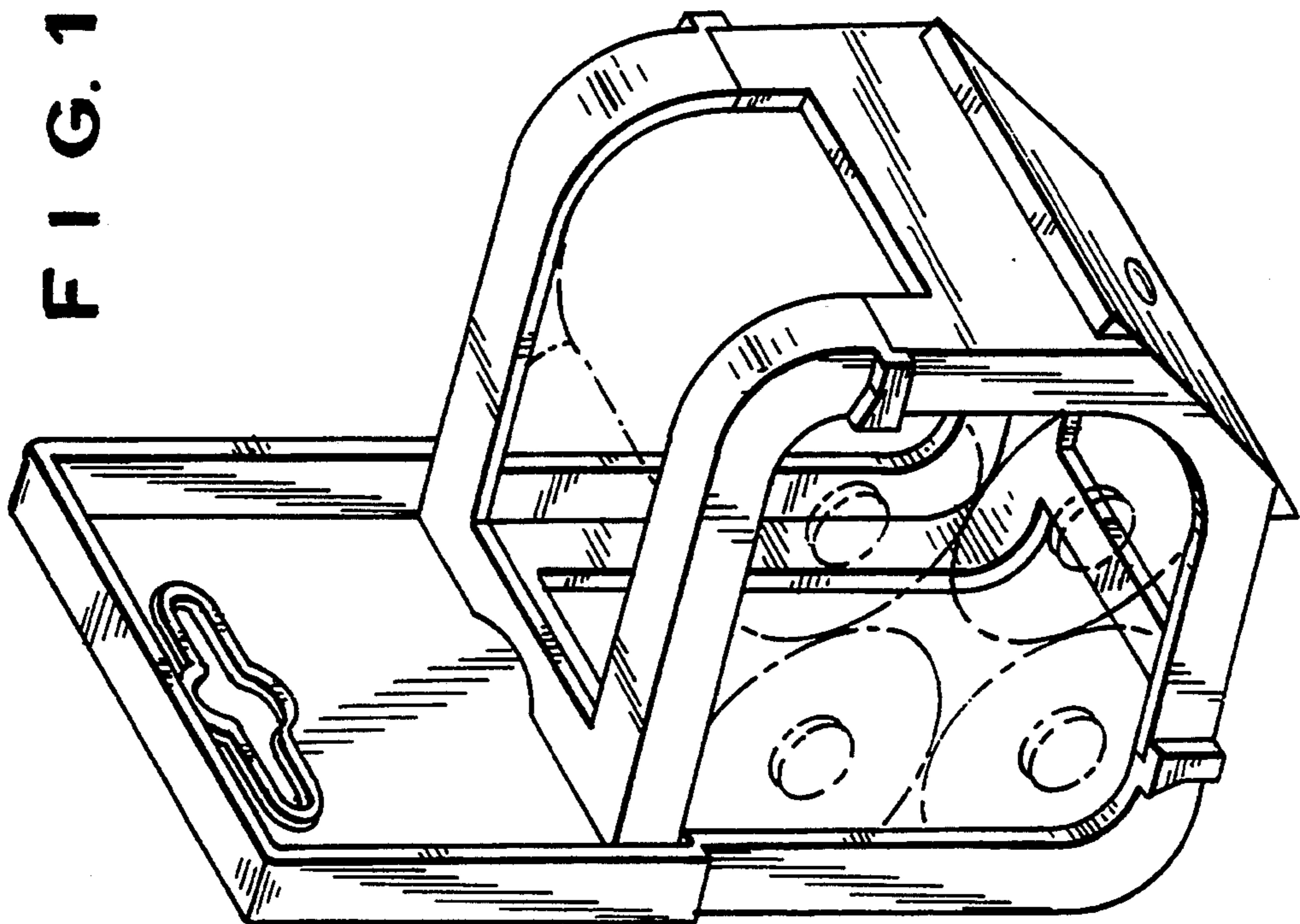


FIG. 1

FIG. 2

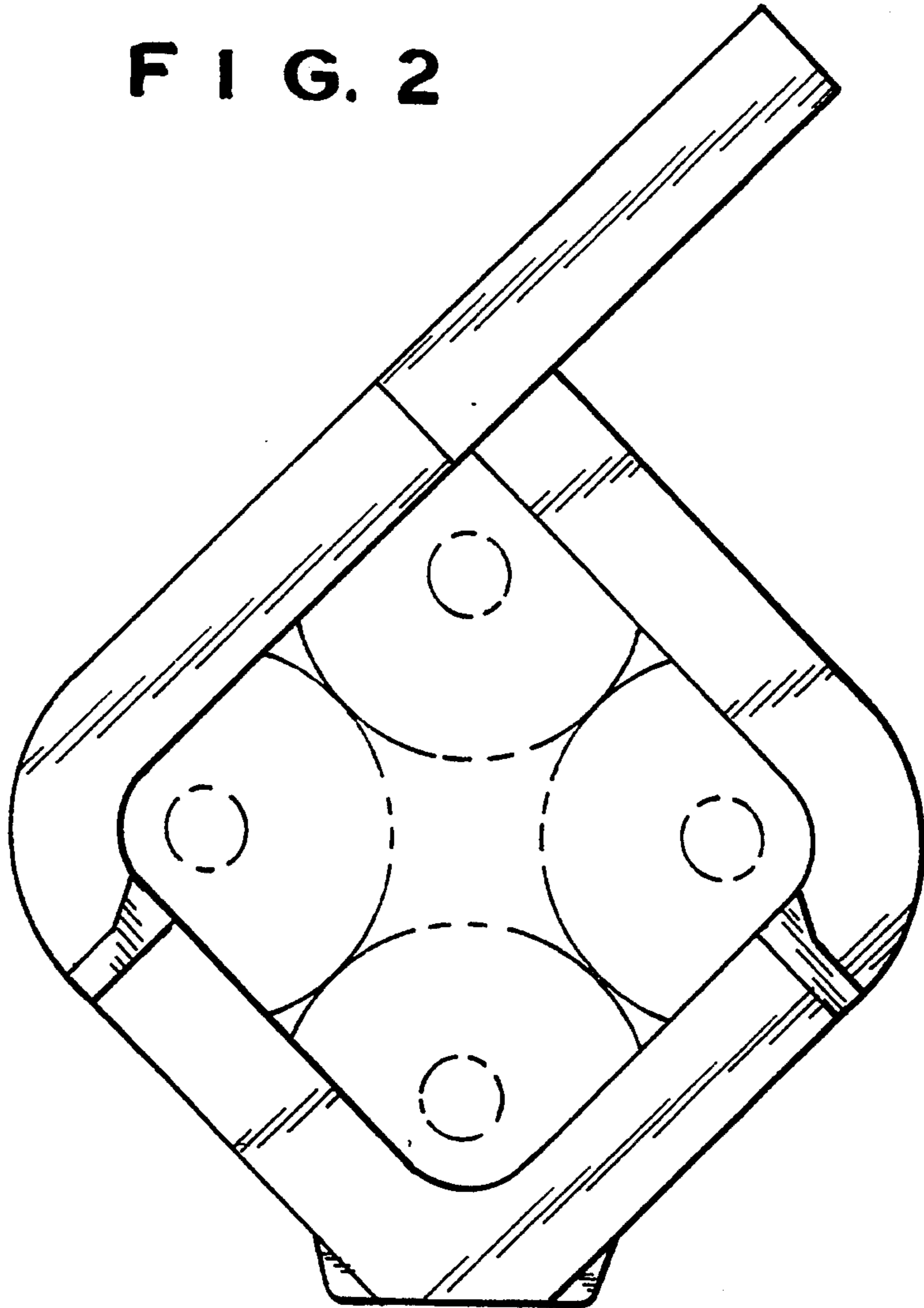
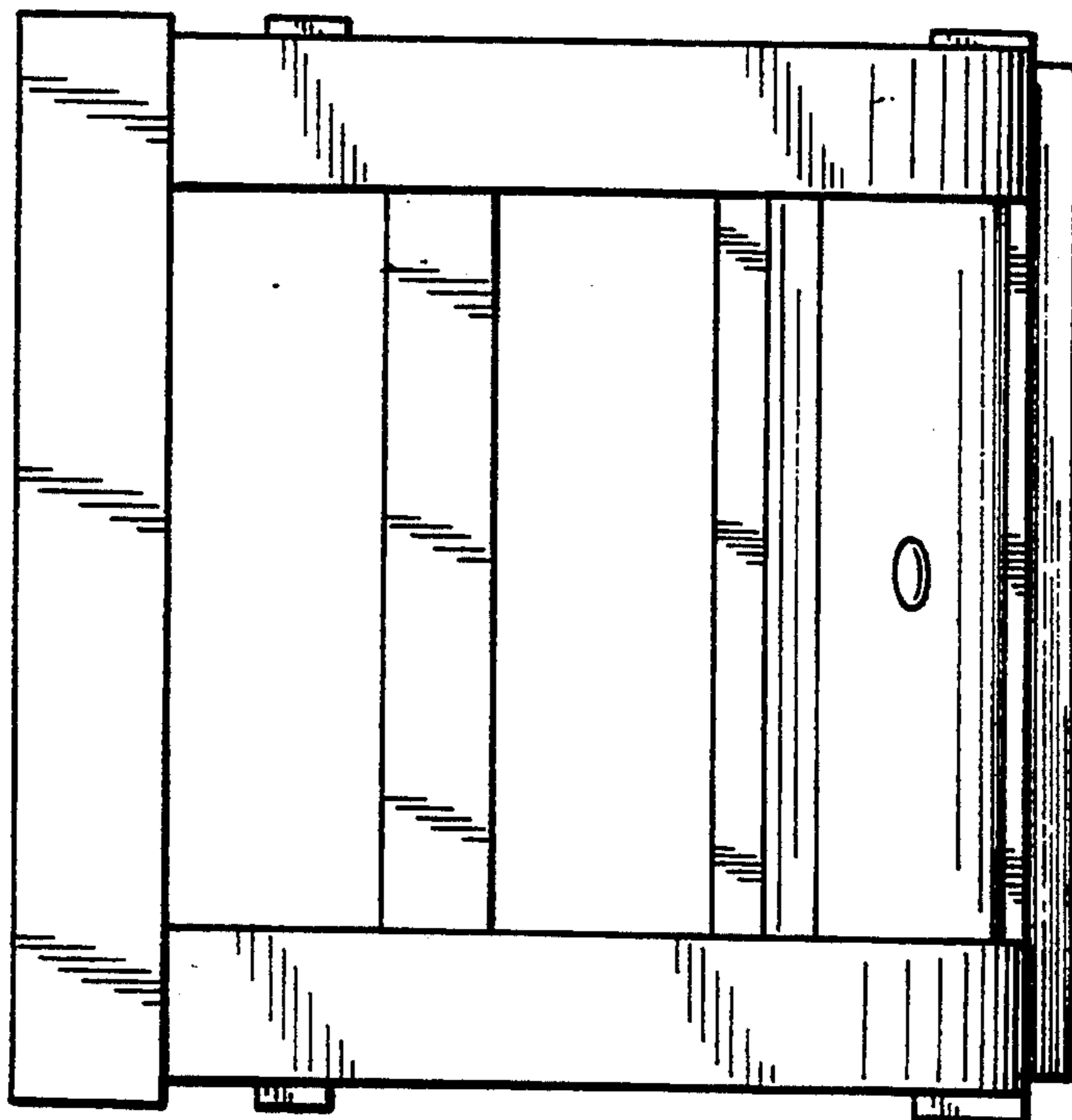
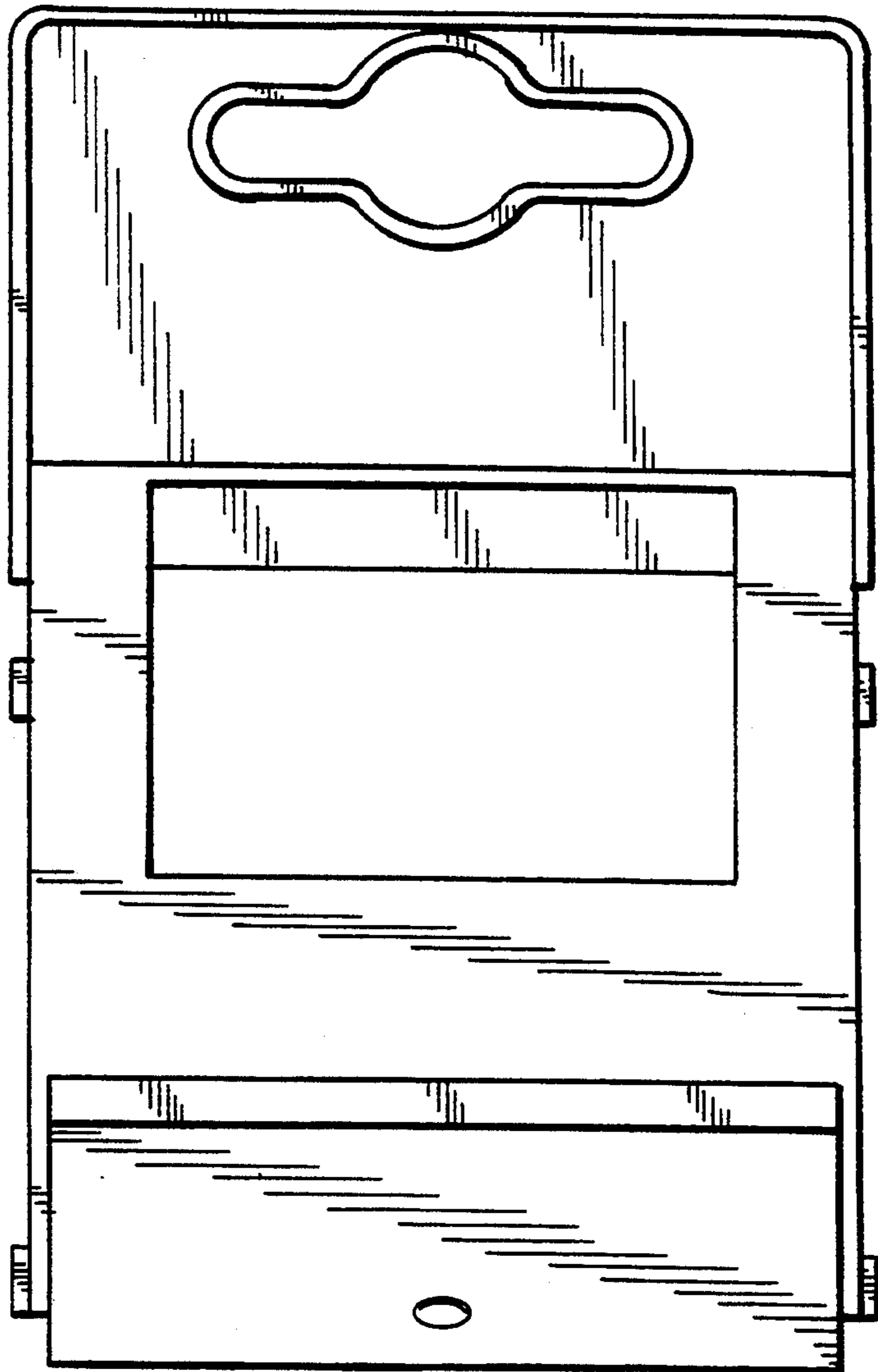


FIG. 5



**FIG. 3**



**FIG. 6**

