



US00D352876S

United States Patent [19]

[11] Patent Number: **Des. 352,876**

Munson

[45] Date of Patent: **** Nov. 29, 1994**

[54] **SOCKET WRENCH HANDLE**

1,151,088 8/1915 Culbertson 81/177.85 X
3,949,816 4/1976 Harvath D8/21 X

[76] Inventor: **Richard A. Munson, 6455
Yellowstone Trail, Coeur d'Alene,
Id. 83814**

Primary Examiner—Melvin B. Feifer
Assistant Examiner—Mitchell I. Siegel
Attorney, Agent, or Firm—Kelly, Bauersfeld & Lowry

[**] Term: **14 Years**

[57] CLAIM

[21] Appl. No.: **4,020**

The ornamental design for a socket wrench handle, as shown and described.

[22] Filed: **Jan. 25, 1993**

[52] U.S. Cl. **D5/21; D8/107**

DESCRIPTION

[58] Field of Search **D8/14, 21, 26, 28, 29,
D8/107, 315; 81/177.1, 177.5, 177.6, 177.85;
7/138, 166**

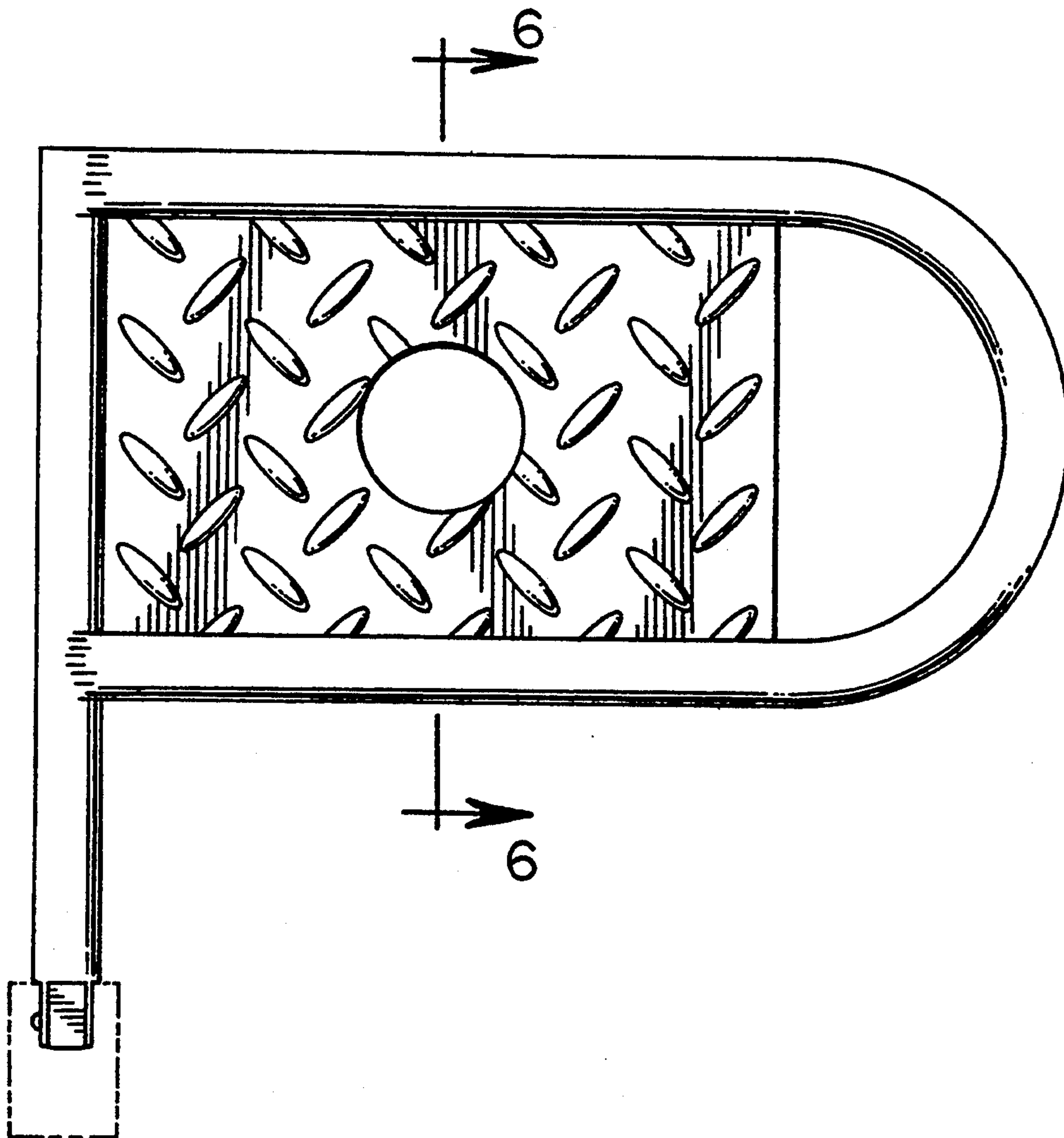
FIG. 1 is a front elevational view of a socket wrench handle showing my new design;
FIG. 2 is a top plan view thereof;
FIG. 3 is a bottom plan view thereof;
FIG. 4 is a left side elevational view thereof;
FIG. 5 is a right side elevational view thereof; and,
FIG. 6 is a cross sectional view thereof, taken along the line 6—6 of FIG. 1.

[56] References Cited

U.S. PATENT DOCUMENTS

D. 53,620	7/1919	Walton	D8/29
D. 322,202	12/1991	McIntyre	D8/21
D. 324,471	3/1992	Free	D8/89 X
D. 325,153	4/1992	Ju	D8/26
D. 327,397	6/1992	McIntyre	D8/21

The broken line showing of a removable socket on FIG. 1 is for illustrative purposes only and forms no part of the claimed design.



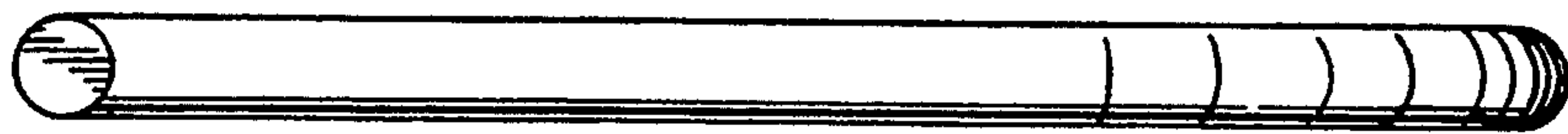


FIG. 2

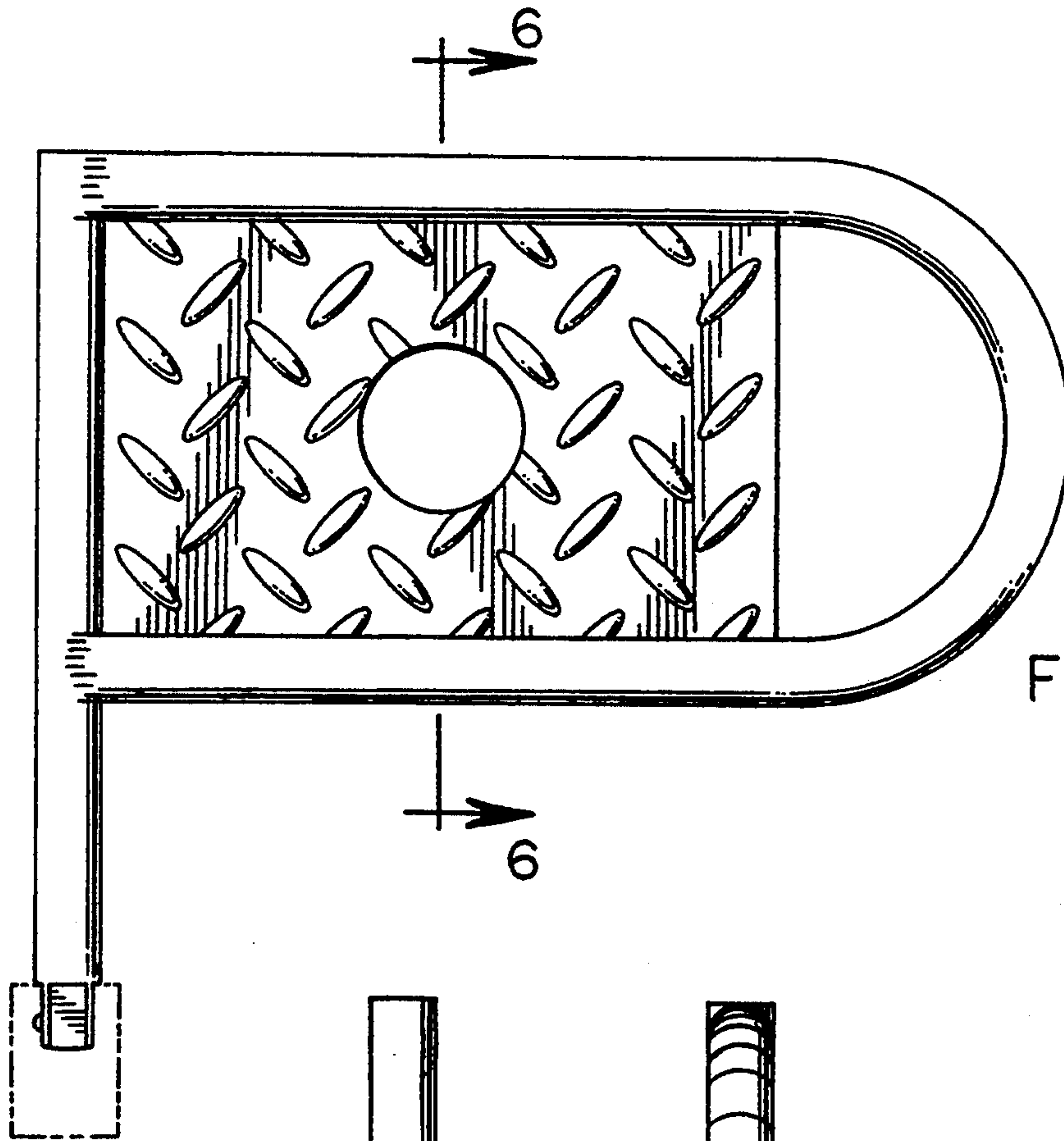


FIG. 1

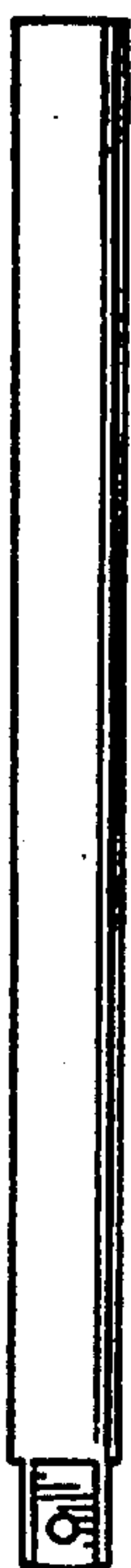


FIG. 4



FIG. 5



FIG. 6

FIG. 3

