



US00D352874S

United States Patent [19]
Garcia

[11] **Patent Number: Des. 352,874**
[45] **Date of Patent: ** Nov. 29, 1994**

[54] **RAKE ATTACHMENT FOR A HAND HOE**

[76] **Inventor: Roque P. Garcia, 400 E. Spring St., Central, N. Mex. 88026**

[**] **Term: 14 Years**

[21] **Appl. No.: 8,337**

[22] **Filed: May 14, 1993**

[52] **U.S. Cl. D8/13**

[58] **Field of Search D8/9, 11, 13; 172/371-372, 375; 56/400.04-400.21**

[56] **References Cited**

U.S. PATENT DOCUMENTS

923,629	6/1909	Dalpay	D8/13 X
2,179,946	11/1939	Miller	56/400.1
2,489,047	11/1959	Pabst et al.	56/400.1
3,402,543	9/1968	Staggers	172/375 X
4,216,831	8/1980	Ritchie	56/400.04 X

OTHER PUBLICATIONS

Gardena Catalog, Apr. 4, 1985, p. 31, rake, circled at top right corner of page.

Primary Examiner—Wallace R. Burke
Assistant Examiner—H. Baynham
Attorney, Agent, or Firm—James F. Cottone

[57] **CLAIM**

The ornamental design for a rake attachment for a hand hoe, as shown and described.

DESCRIPTION

FIG. 1 is a perspective view of my rake attachment for a hand hoe;
FIG. 2 is a top plan view thereof;
FIG. 3 is a front elevational view thereof;
FIG. 4 is a side elevational view thereof;
FIG. 5 is a rear elevational view thereof; and,
FIG. 6 is a bottom plan view thereof.
The broken line showing of a hoe is for illustrative purposes only and forms no part of the claimed design.

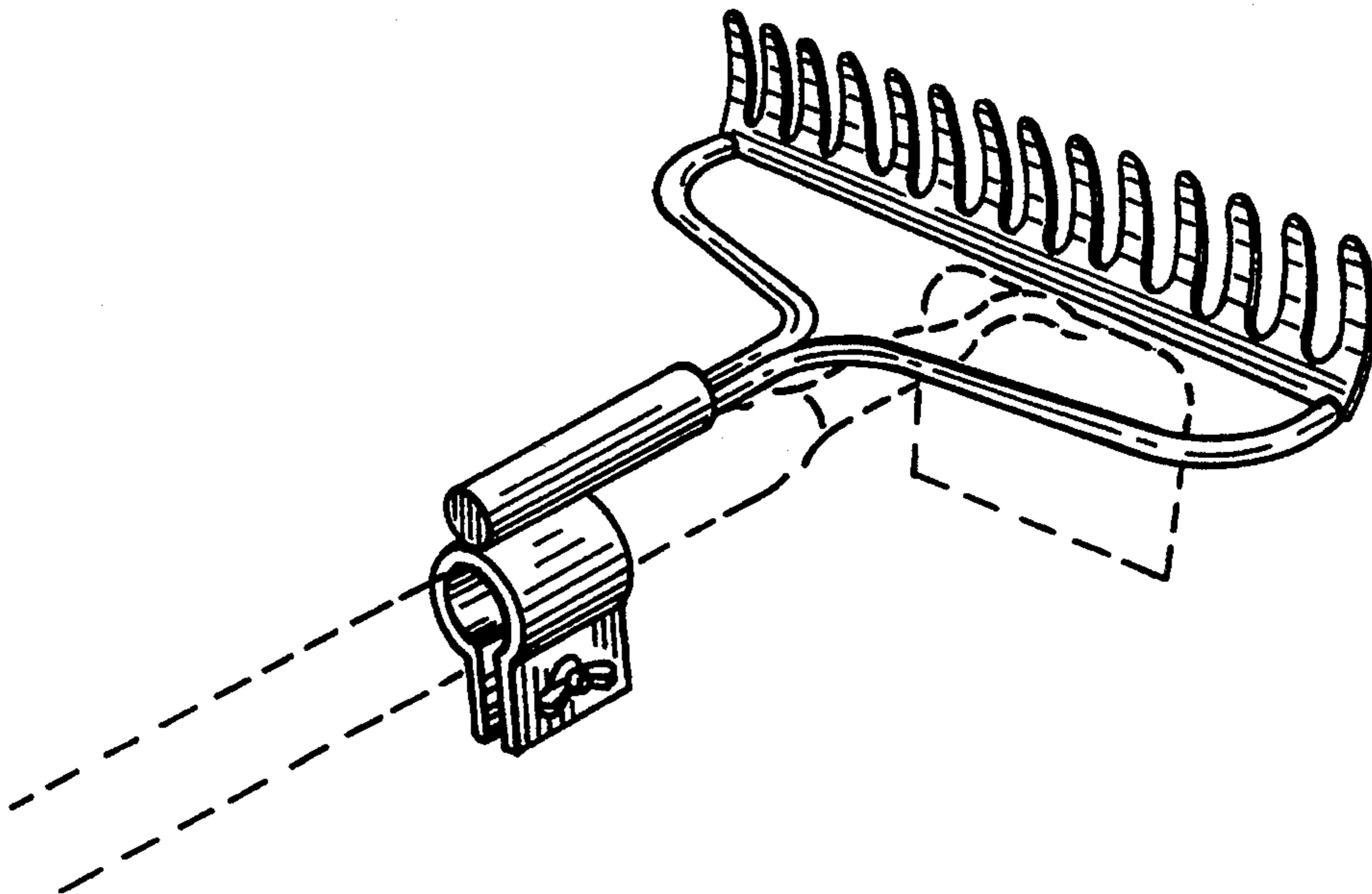


FIG. 1

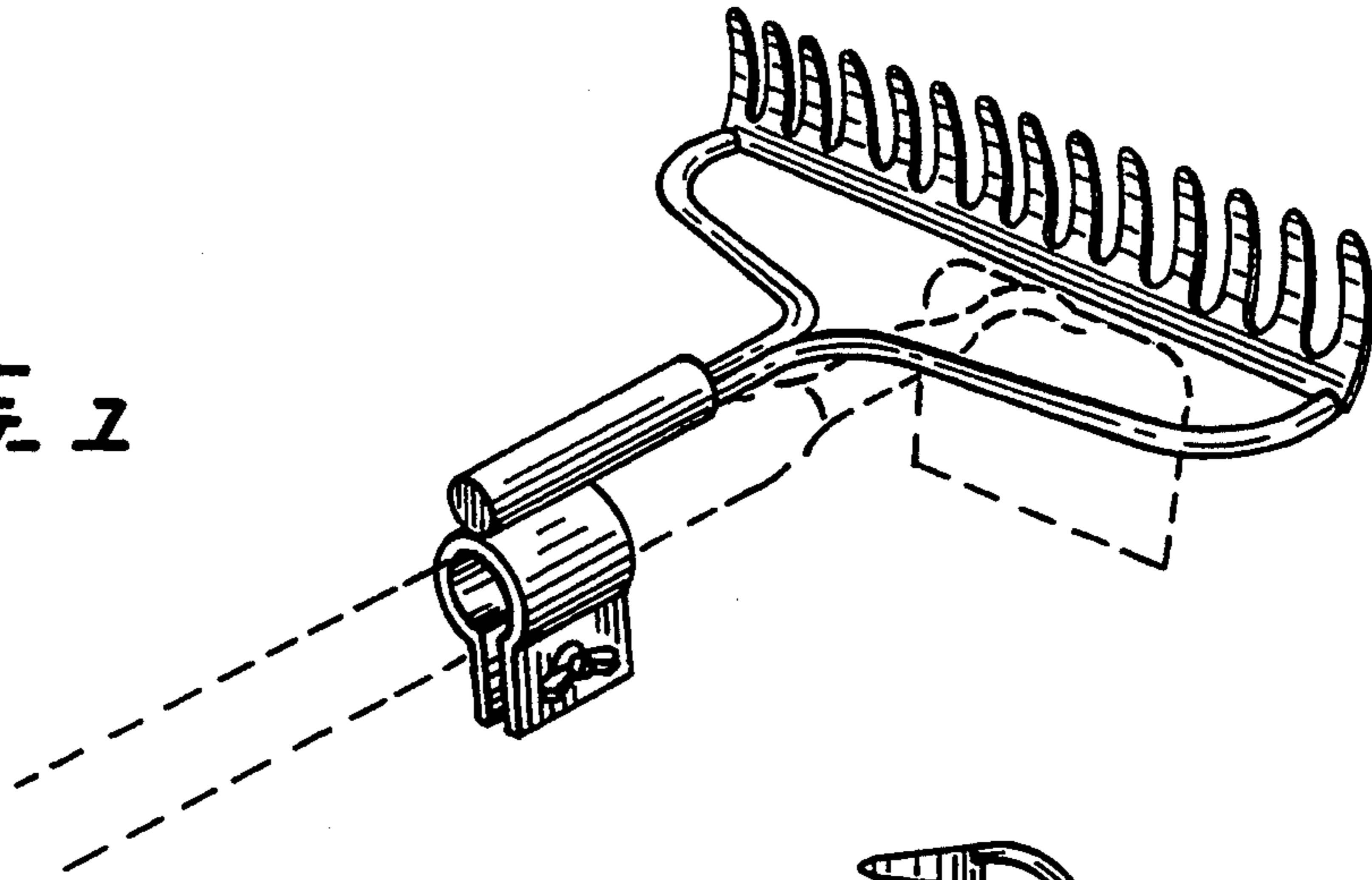


FIG. 2

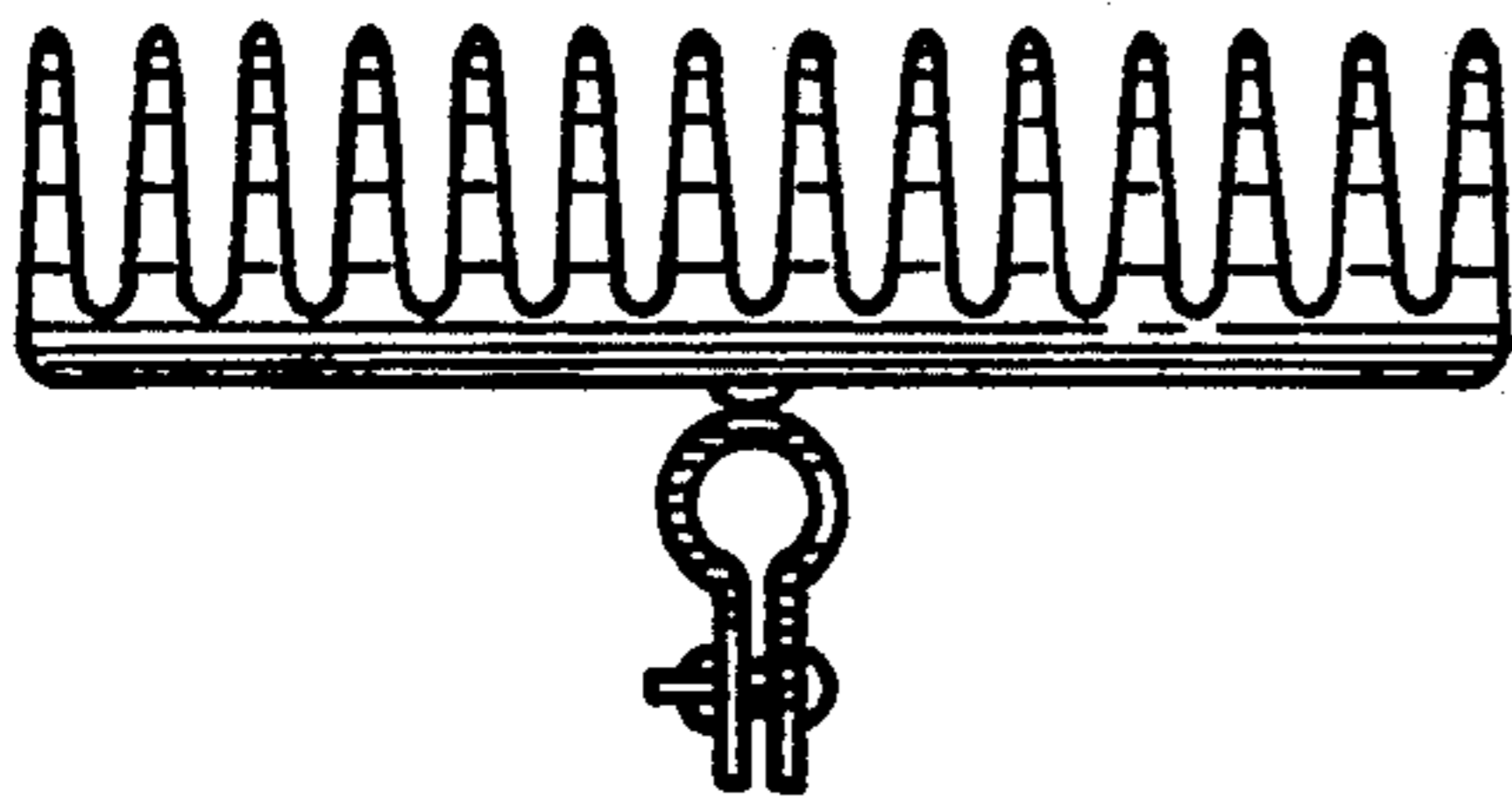
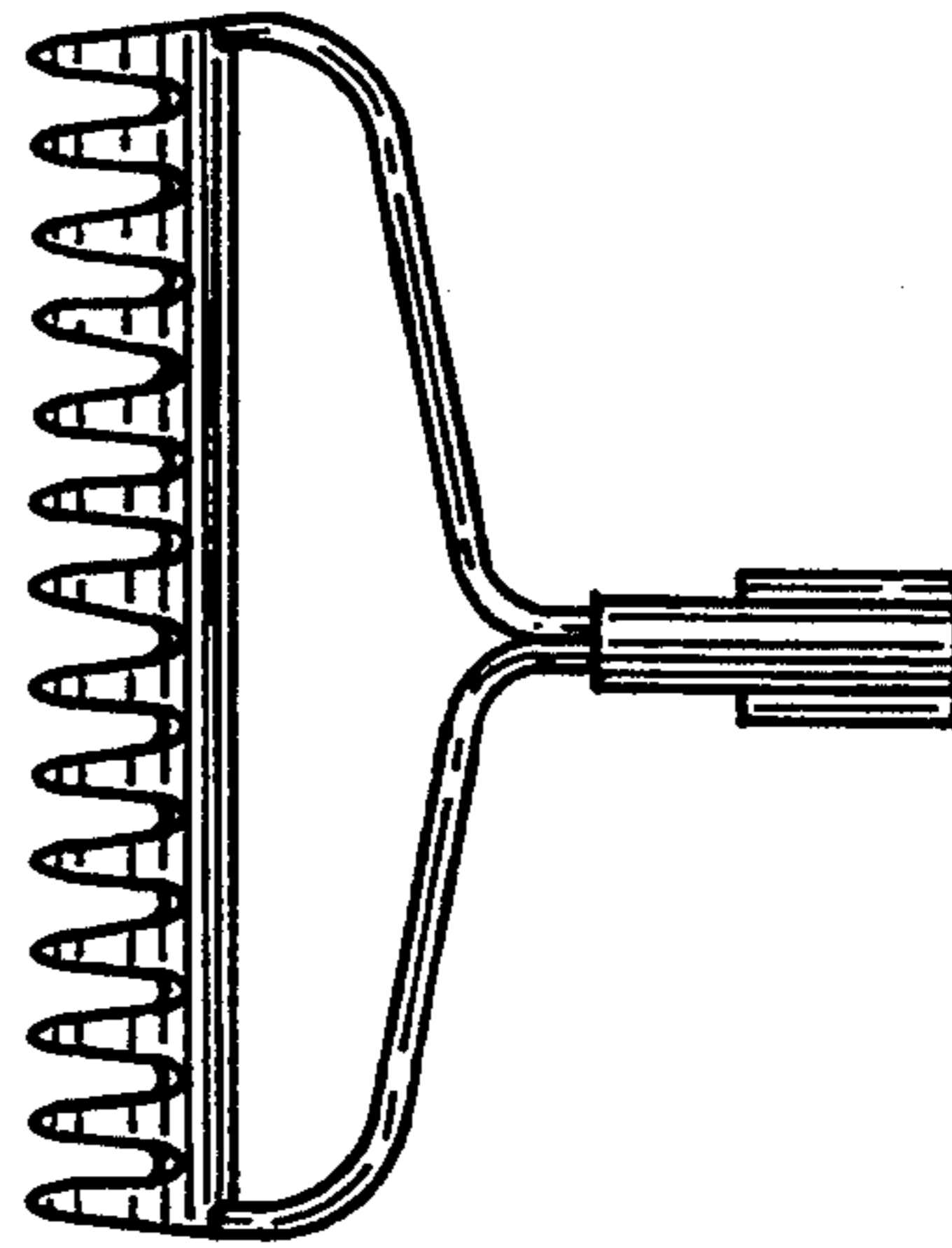


FIG. 3

FIG. 4

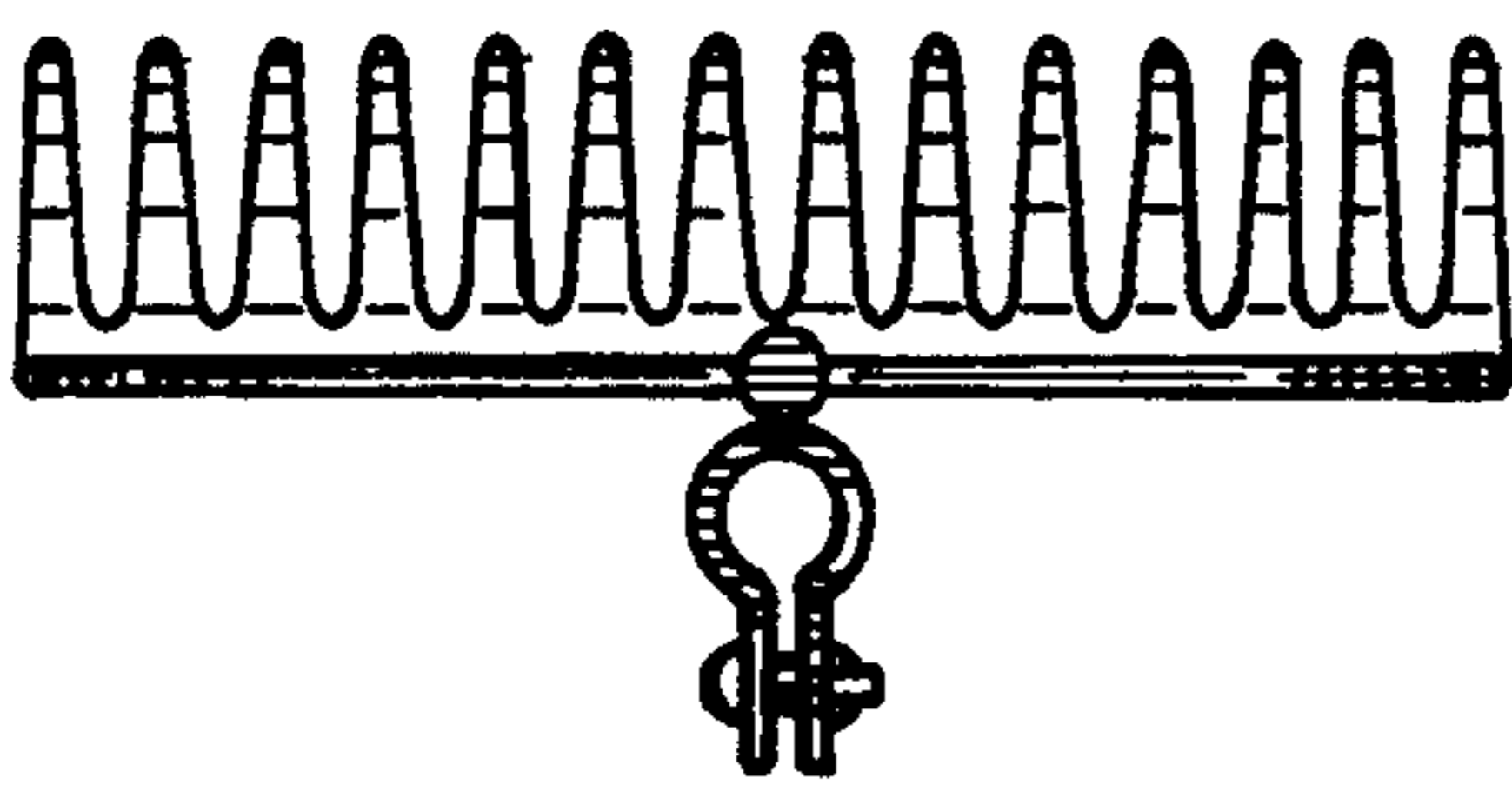
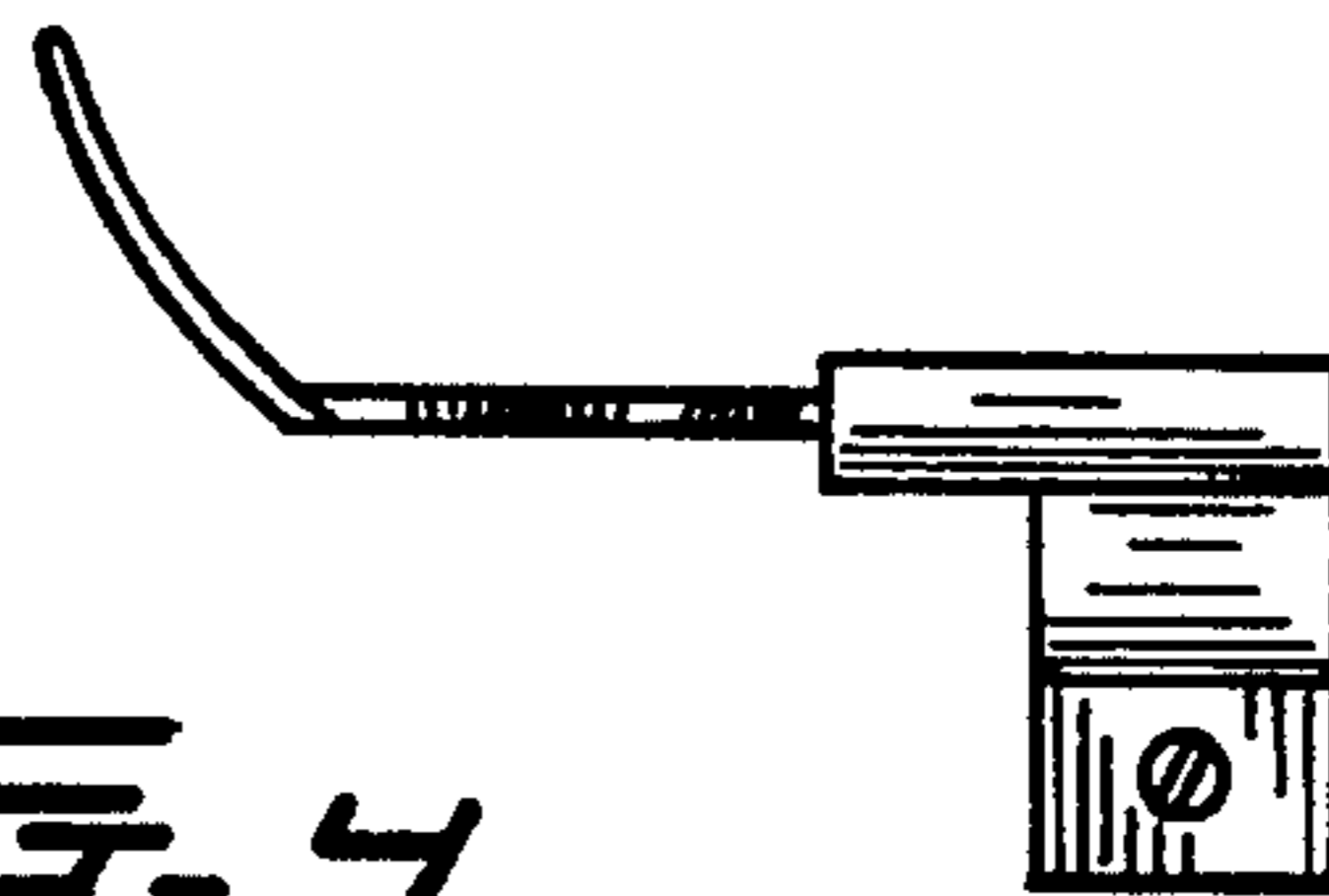


FIG. 5

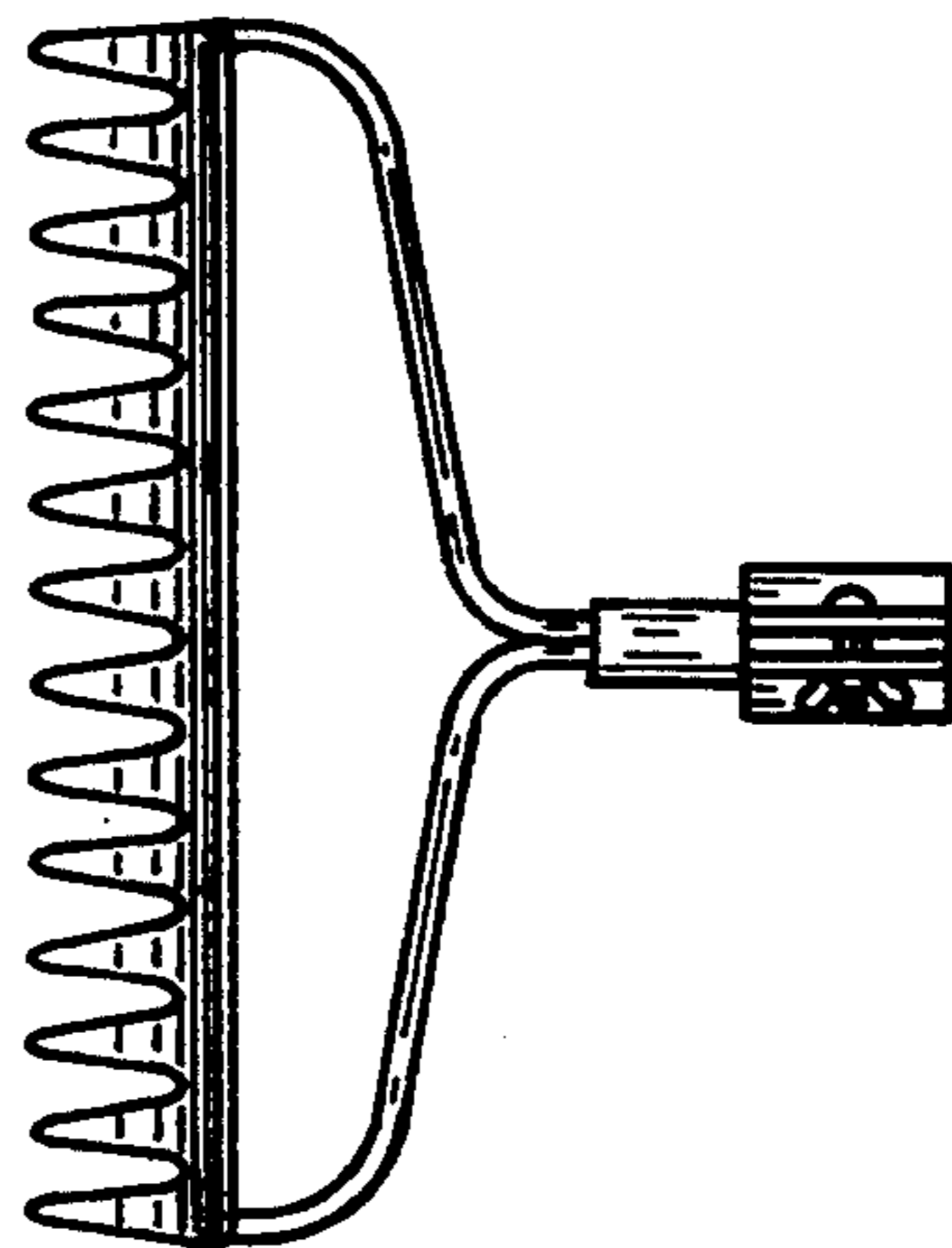


FIG. 6