



US00D352869S

# United States Patent [19]

[11] Patent Number: **Des. 352,869**

**Lathrop**

[45] Date of Patent: **\*\* Nov. 29, 1994**

[54] **SCOOP**

[75] Inventor: **Gregory A. Lathrop, Manchester, Md.**

[73] Assignee: **Lever Brothers Company, Division of Conopco, Inc., New York, N.Y.**

[\*\*] Term: **— 14 Years**

[21] Appl. No.: **74,196**

[22] Filed: **Jun. 9, 1993**

- D. 321,304 11/1991 Underwood et al. .
- D. 321,305 11/1991 Underwood et al. .
- D. 330,997 11/1992 Spahni, Jr. et al. .
- 1,937,402 11/1933 Cherry .
- 2,230,479 2/1941 Becher .
- 2,606,586 8/1952 Hill .
- 2,810,958 10/1957 Monti .
- 3,001,404 9/1961 McDonnell, Jr. et al. .
- 3,013,436 12/1961 Dailey .
- 3,360,121 12/1967 Zoeller et al. .
- 3,498,136 3/1970 Le May .
- 3,526,138 9/1970 Swett et al. .
- 3,615,039 10/1971 Ward .
- 3,625,654 5/1970 Van Duyne .
- 3,804,450 4/1974 Guenzel .
- 3,911,578 10/1975 Ushkow et al. .
- 4,024,951 5/1977 Green .
- 4,096,947 6/1978 Morse .
- 4,572,374 2/1986 Sirotkin .
- 4,616,867 10/1986 O'Hara .

### Related U.S. Application Data

- [63] Continuation of Ser. No. 812,968, Dec. 20, 1991, abandoned.
- [52] U.S. Cl. .... **D7/691**
- [58] Field of Search ..... **D7/691-692;**  
30/324-325; 73/149, 426-427; 294/55;  
D10/46.2, 46.3

### FOREIGN PATENT DOCUMENTS

2622-424-A 10/1987 France .

### [56] References Cited

#### U.S. PATENT DOCUMENTS

- D. 90,906 10/1933 Baker, Jr. .
- D. 127,970 7/1941 Myers .
- D. 167,580 8/1952 McFarland .
- D. 182,456 4/1958 Cronhelm .
- D. 190,383 5/1961 Hanson .
- D. 211,047 5/1968 Johnson .
- D. 215,331 9/1969 Swett et al. .
- D. 239,907 5/1976 Olsson .
- D. 243,500 3/1977 Cooper .
- D. 256,311 8/1980 Daenen .
- D. 259,461 6/1981 Daenen et al. .
- D. 259,462 6/1981 Daenen et al. .
- D. 274,776 7/1984 Molloy et al. .
- D. 283,062 3/1986 Lordi .
- D. 283,196 4/1986 Hasse .
- D. 287,324 12/1986 Schmidt .
- D. 297,202 8/1988 Zumwalt .
- D. 302,920 8/1989 Ancona et al. .
- 310,069 12/1884 Milligan .

#### OTHER PUBLICATIONS

Measorex Brochure (1988)—“Plastic Measures for Liquid and powdered Products”.

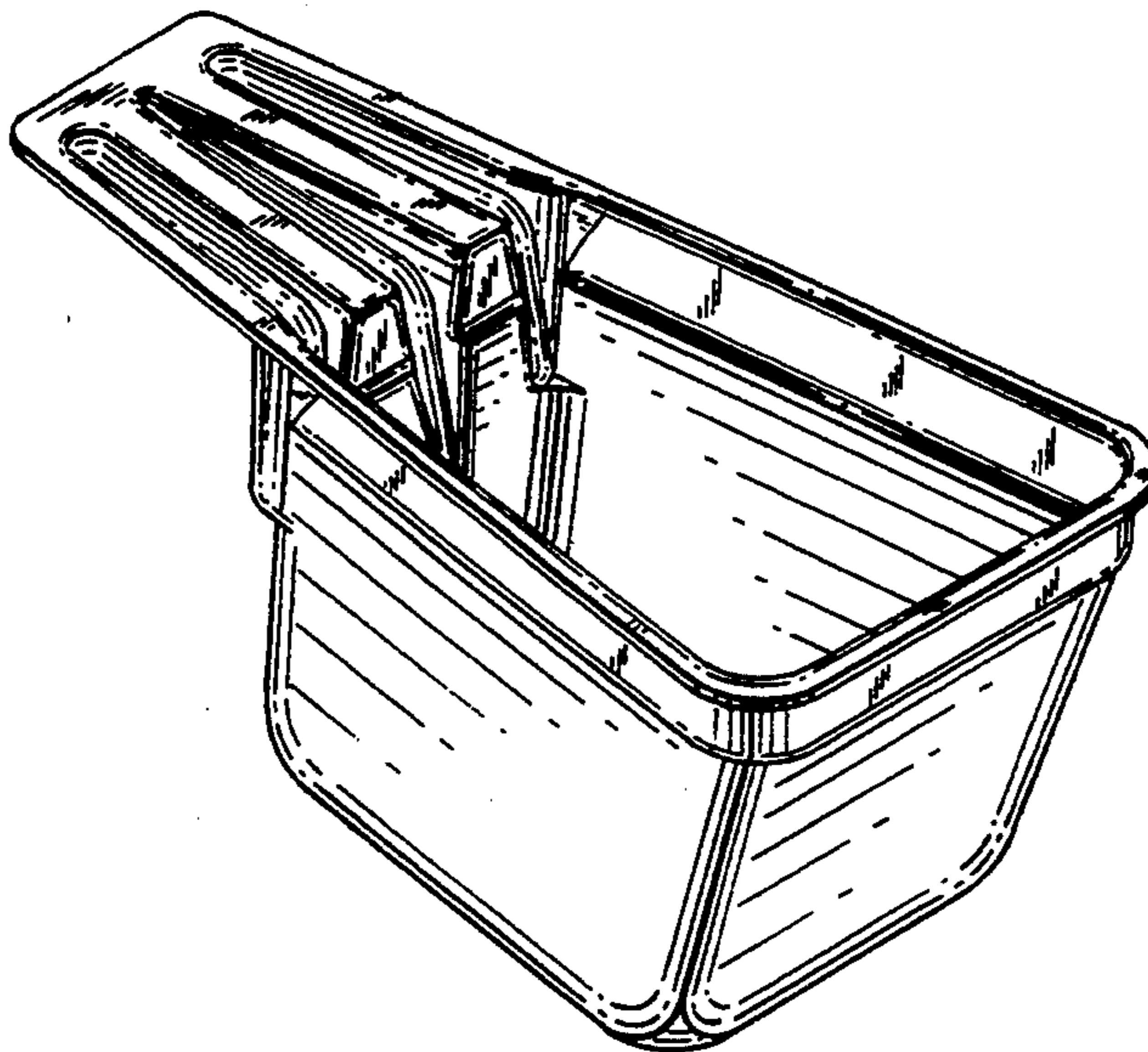
*Primary Examiner*—Terry A. Wallace  
*Attorney, Agent, or Firm*—Gerard J. McGowan, Jr.

### [57] CLAIM

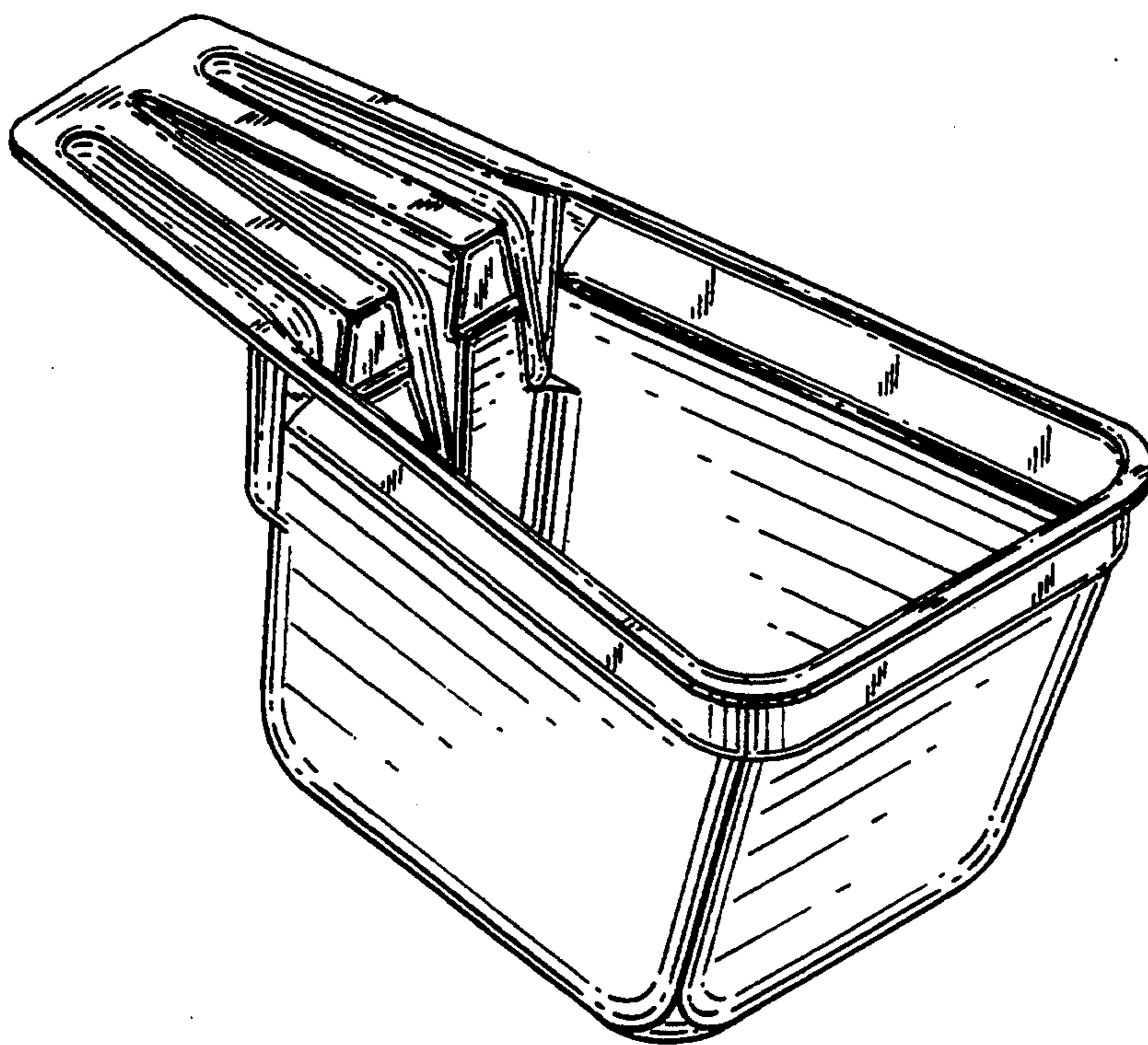
The ornamental design for a scoop, as shown and described.

### DESCRIPTION

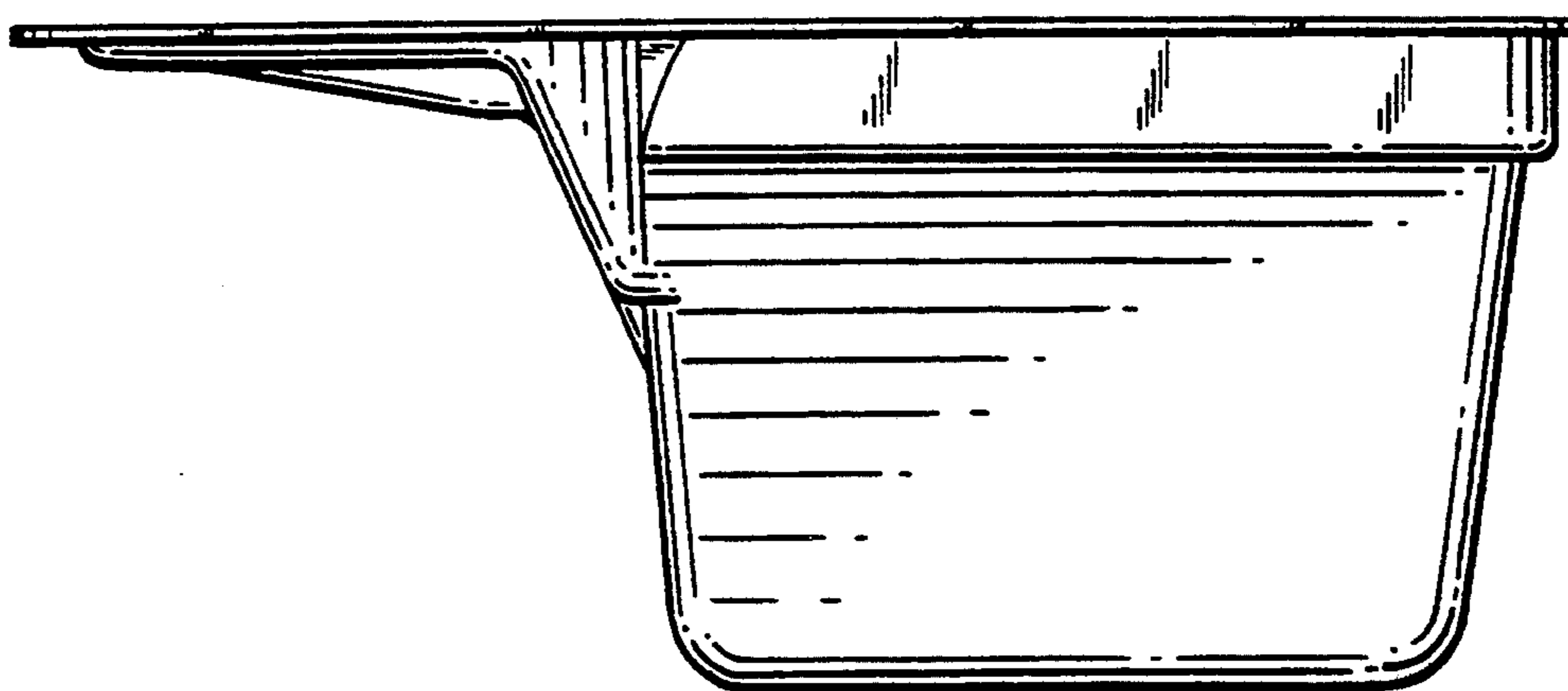
FIG. 1 is a perspective view of the scoop showing my new design;  
FIG. 2 is a side elevational view thereof;  
FIG. 3 is a top plan view thereof;  
FIG. 4 is a rear elevational view thereof;  
FIG. 5 is a front elevational view thereof; and,  
FIG. 6 is a bottom plan view thereof.



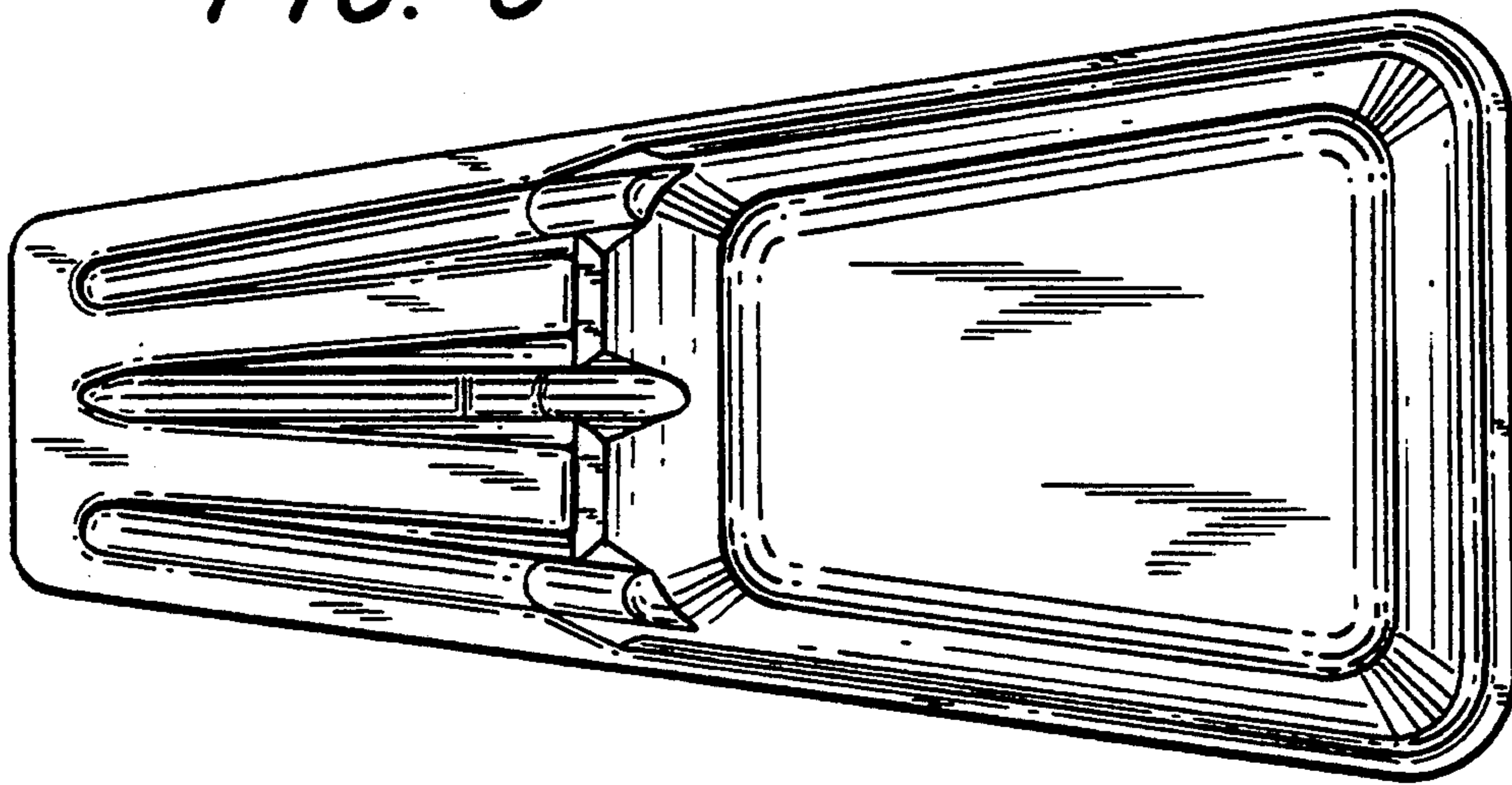
*FIG. 1*



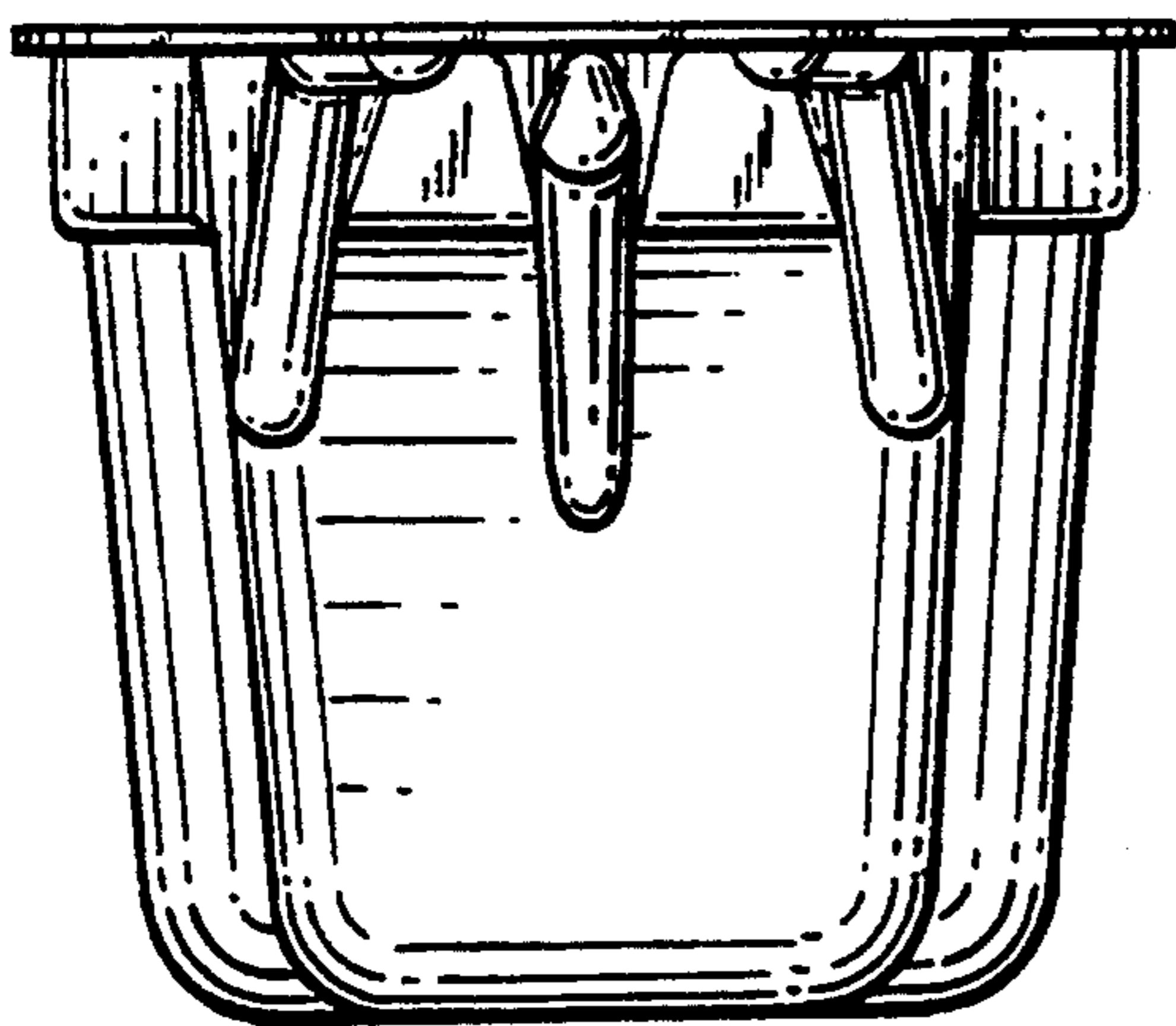
*FIG. 2*



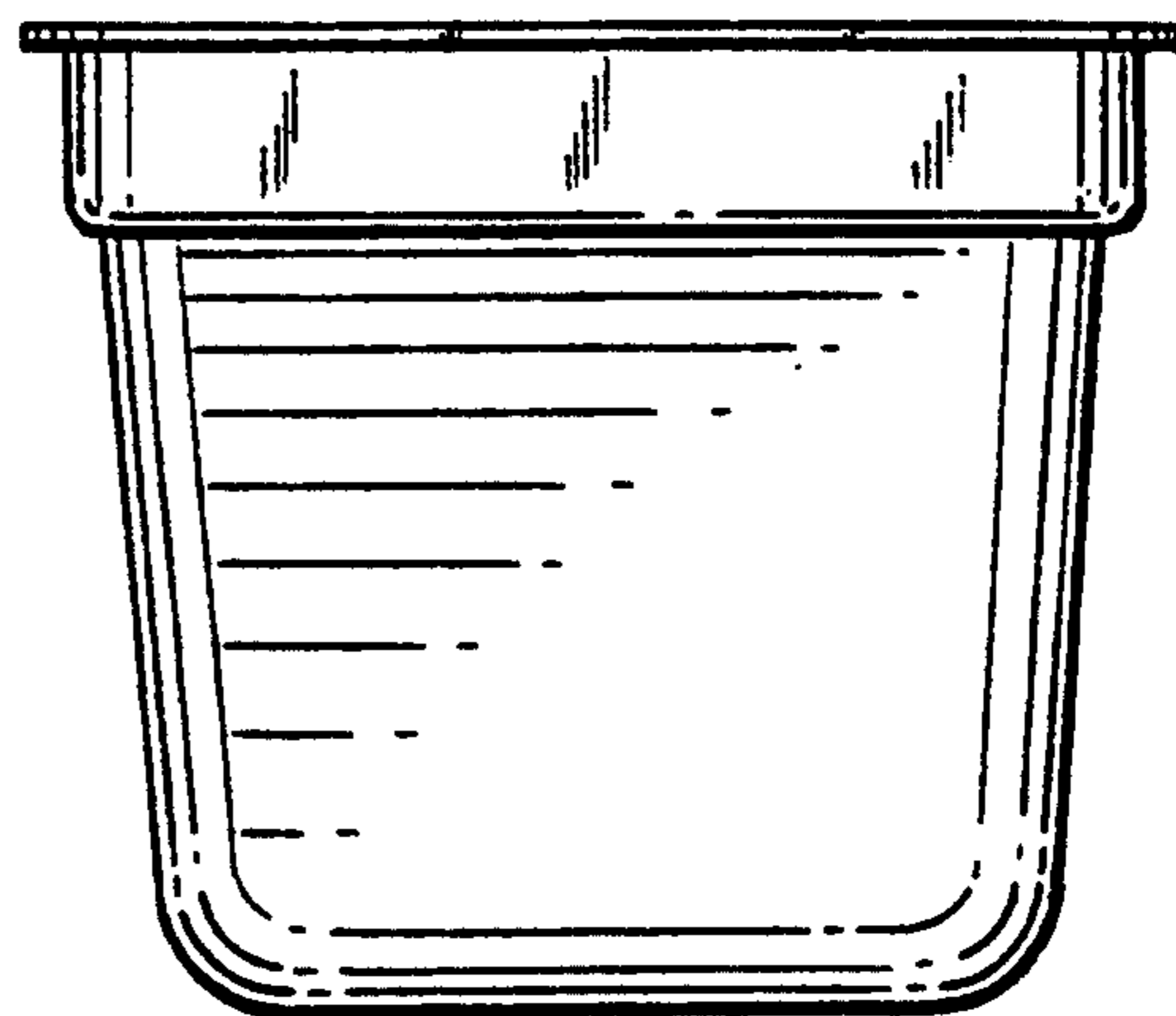
*FIG. 3*



*FIG. 4*



*FIG. 5*



*FIG. 6*

