



US00D352868S

United States Patent [19] Breen

[11] Patent Number: Des. 352,868

[45] Date of Patent: ** Nov. 29, 1994

[54] KNIFE TRAY

[75] Inventor: John D. Breen, Wooster, Ohio

[73] Assignee: Rubbermaid Incorporated, Wooster, Ohio

[**] Term: 14 Years

[21] Appl. No.: 11,457

[22] Filed: Aug. 5, 1993

[52] U.S. Cl. D7/637

[58] Field of Search D7/637-641,
D7/550, 553, 555; 206/553, 557, 564; 20/23.83

[56] References Cited

U.S. PATENT DOCUMENTS

- D. 135,186 3/1943 Miller .
- D. 332,553 1/1993 Giugiaro D7/637

OTHER PUBLICATIONS

House & Garden, May 1970, p. 138, Cutlery Tray.
P. 15, Knife Trays; Chef's Catalog, Address Unknown.
It is believed that the product depicted herein has been on sale for more than one (1) year prior to the application date of this instant application.
Magazine Page, Knife Rack; Publisher unknown. It is believed that the product depicted herein has been on

sale for more than one (1) year prior to the application date of this instant application.

Advertisement, Knife Tray; Chicago Cutlery, address unknown. It is believed that the product depicted herein has been on sale for more than one (1) year prior to the application date of this instant application.

Catalog Page, Knife Tray; Dupol-Rubbermaid GmbH Drieiechenhain bei Frankfurt am Main. Publication Date 1971.

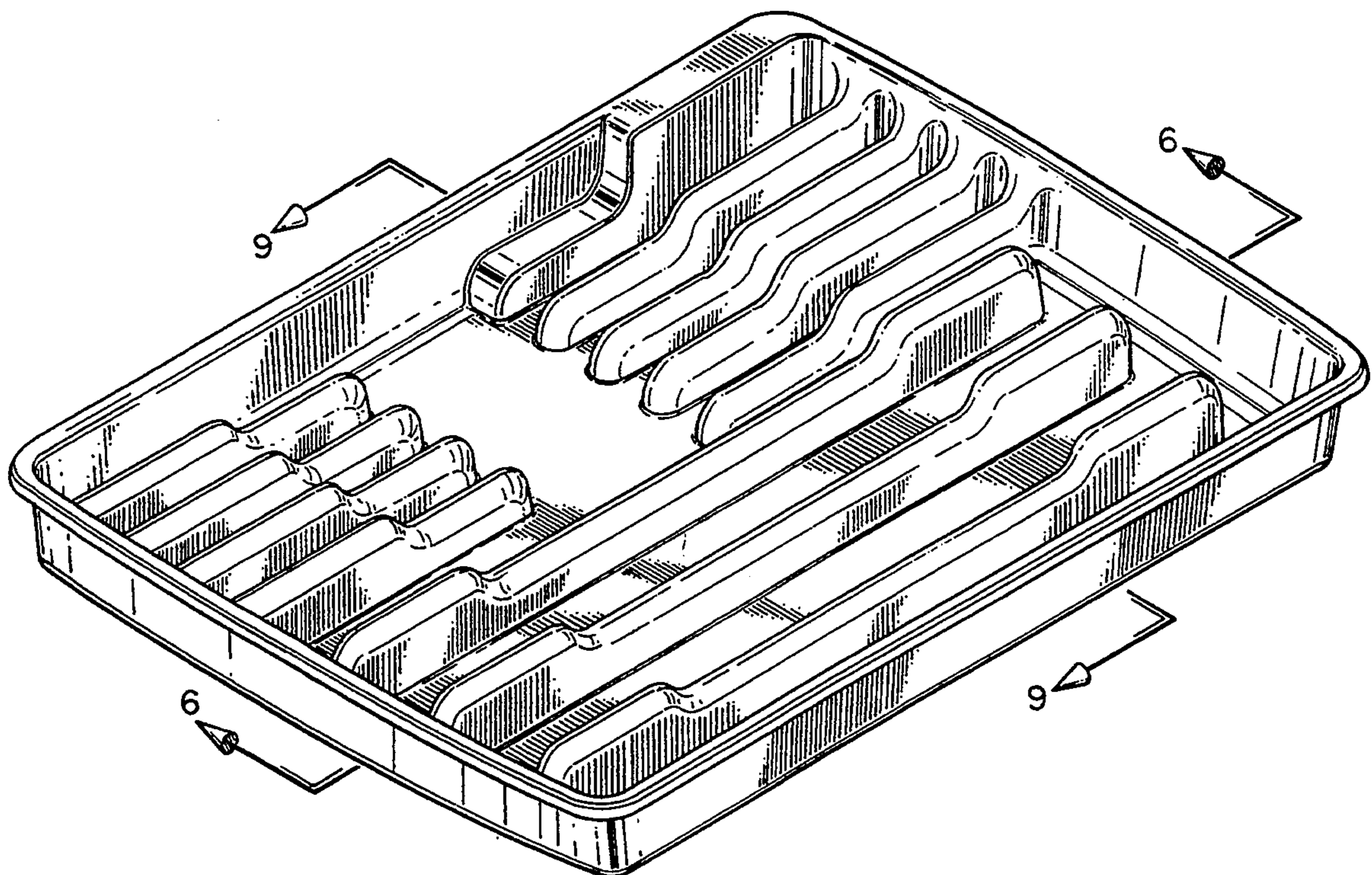
Primary Examiner—Terry A. Wallace
Attorney, Agent, or Firm—Richard B. O'Planick; Lisa B. Riedesel

[57] CLAIM

The ornamental design for a knife tray, as shown and described.

DESCRIPTION

FIG. 1 is a top right front perspective view of a knife tray showing my new design;
FIG. 2 is a top plan view thereof;
FIG. 3 is a bottom plan view thereof;
FIG. 4 is a right side elevational view thereof;
FIG. 5 is a left side elevational view thereof;
FIG. 6 is a longitudinal cross-sectional view thereof taken along line 6—6 of FIG. 2;
FIG. 7 is a front elevational view thereof;
FIG. 8 is a rear elevational view thereof; and,
FIG. 9 is a transverse cross-sectional view thereof taken along line 9—9 of FIG. 2.



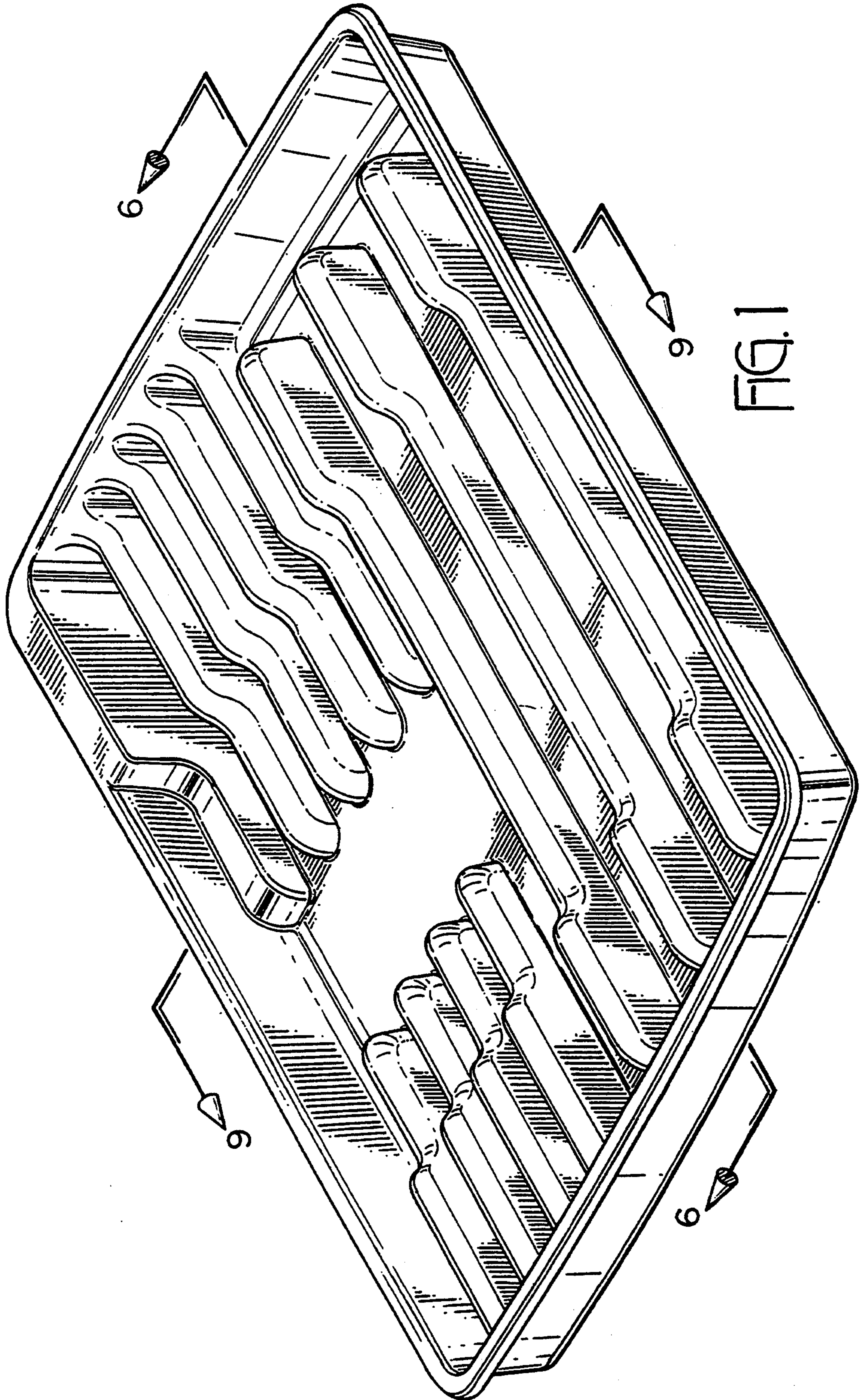


FIG. 1

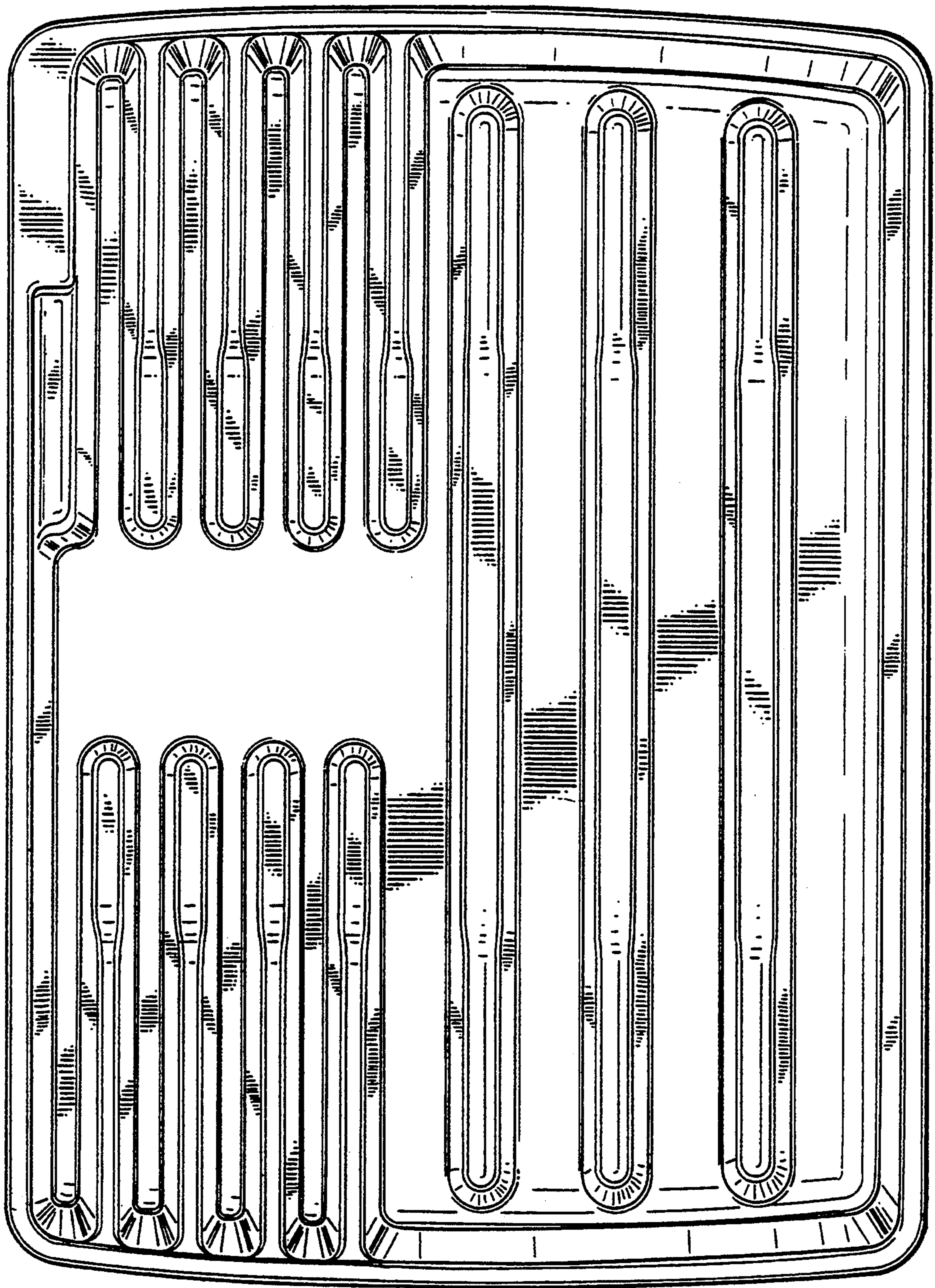


FIG. 2

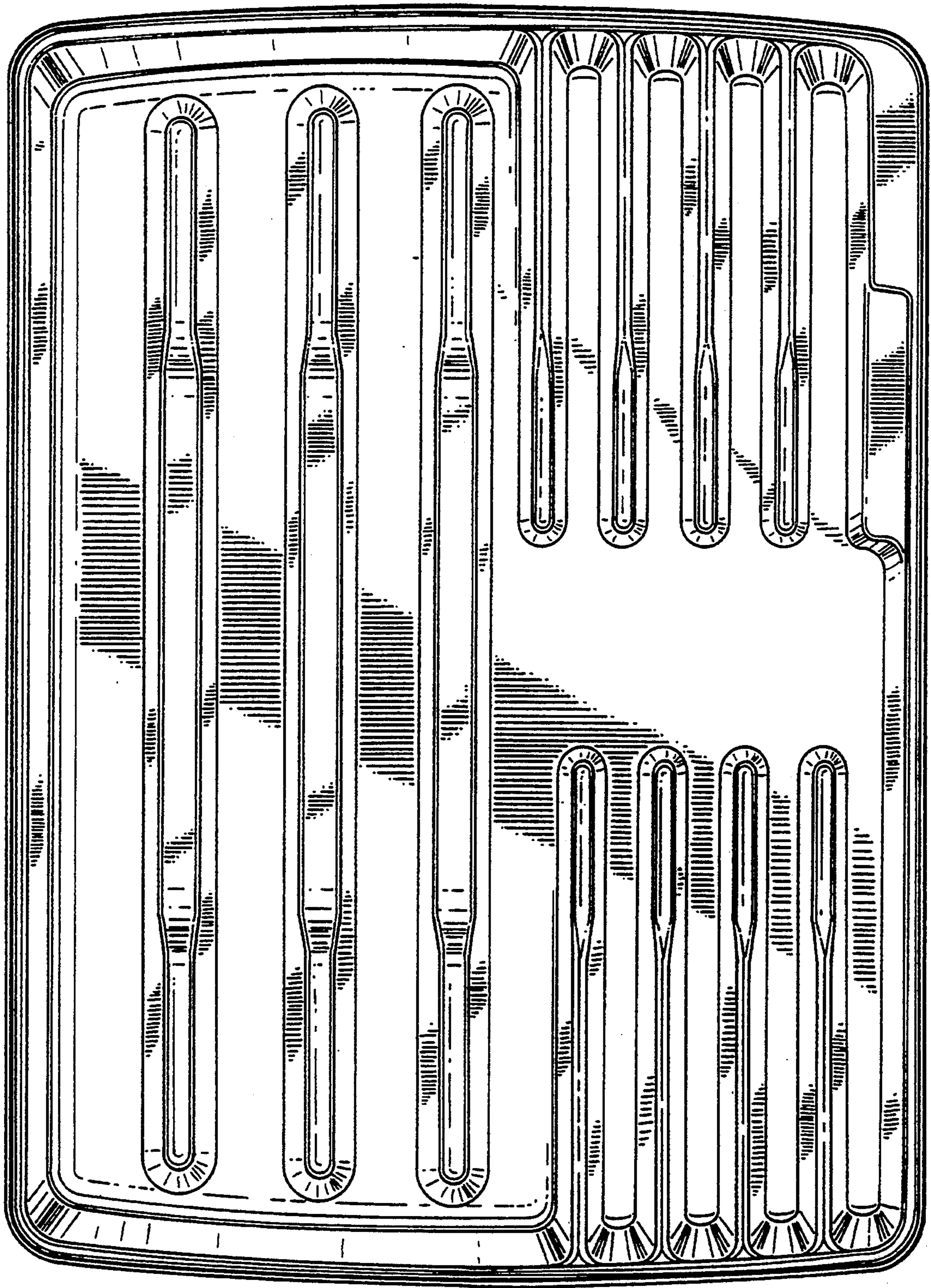


FIG. 3

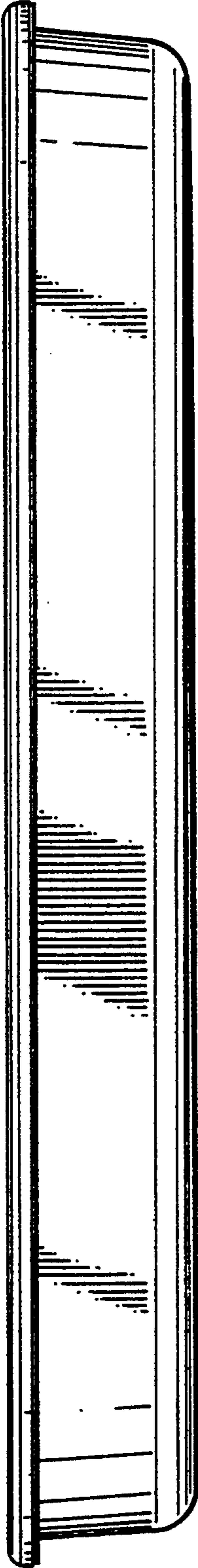


FIG. 4

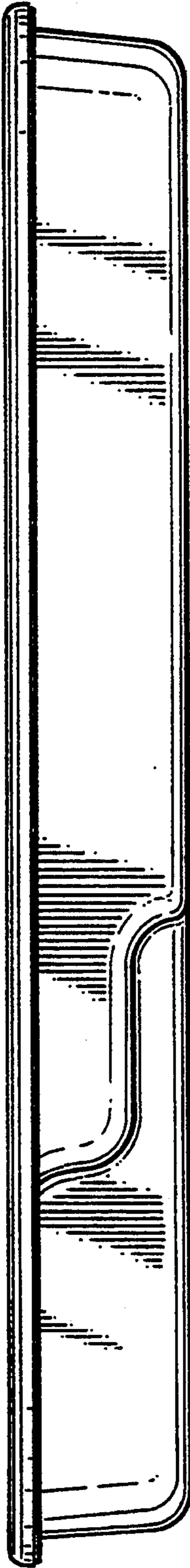


FIG. 5

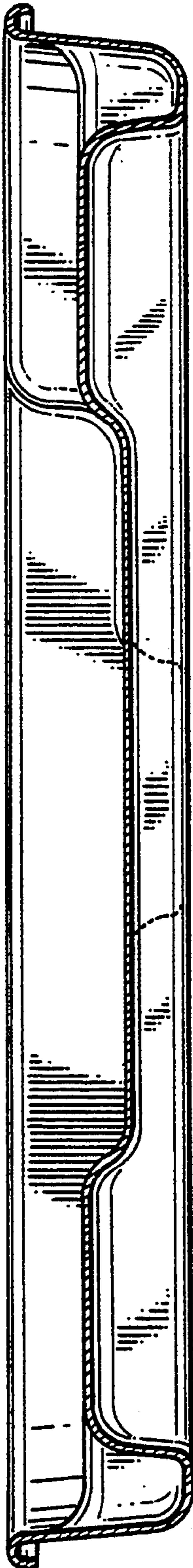


FIG. 6

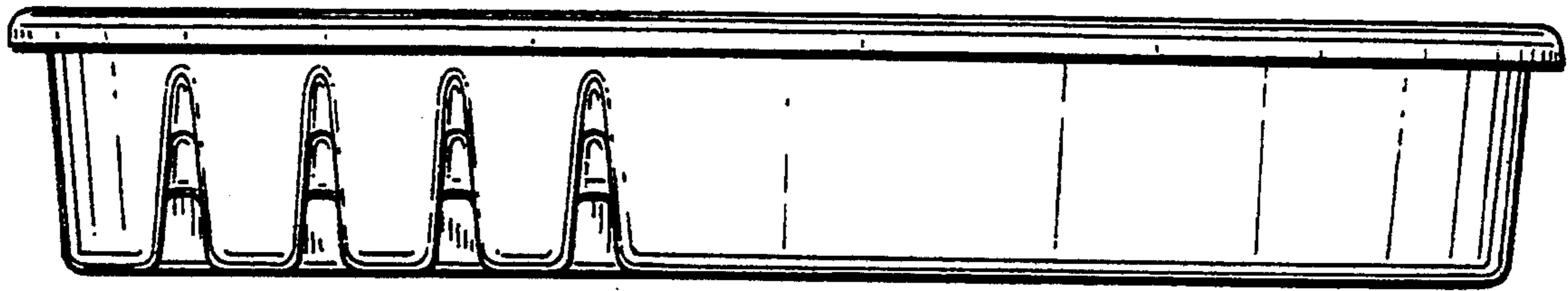


FIG. 7

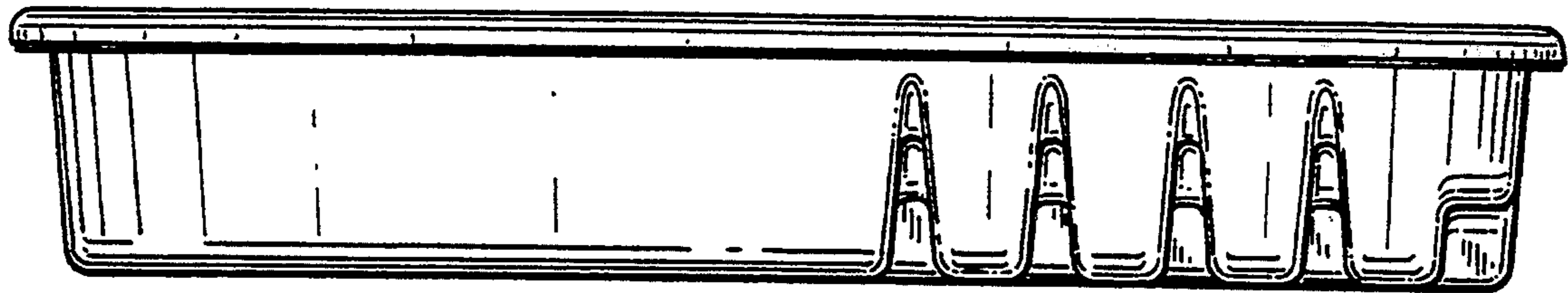


FIG. 8

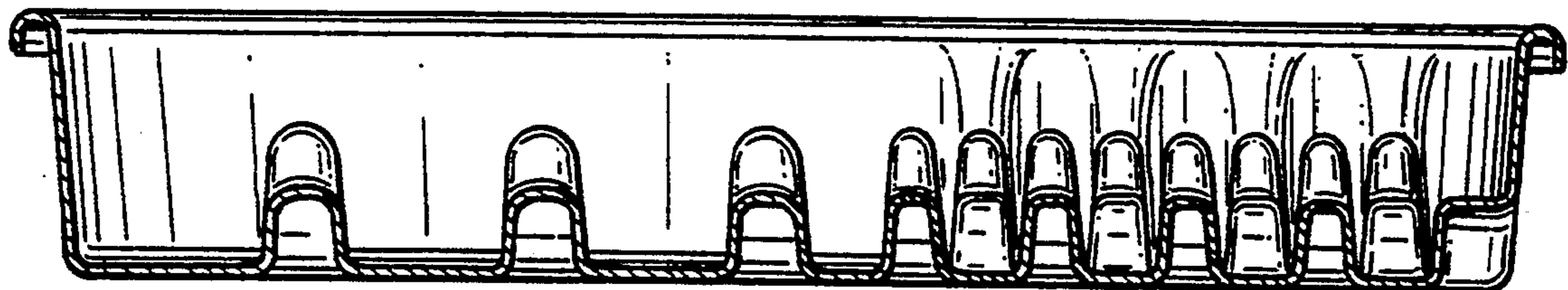


FIG. 9