



US00D352864S

United States Patent [19]

[11] Patent Number: **Des. 352,864**

Parker

[45] Date of Patent: **** Nov. 29, 1994**

[54] **CHARCOAL GRILL**

[76] Inventor: **Robert L. Parker, 5473 Terrytown La., Lithonia, Ga. 30038**

[**] Term: **14 Years**

[21] Appl. No.: **6,825**

[22] Filed: **Apr. 8, 1993**

[52] U.S. Cl. **D7/334**

[58] Field of Search **D7/332, 334-337; 126/25 R, 25 A, 25 AA, 29-30; 99/419, 421 R, 421 A, 421 H, 421 HV, 421 V**

4,665,891 5/1987 Nemeč et al. 99/447
4,788,906 12/1988 Starks 126/25 R
4,867,051 9/1989 Schalk 99/446

Primary Examiner—Ruth McInroy
Attorney, Agent, or Firm—James B. Middleton

[57] **CLAIM**

The ornamental design for a charcoal grill, as shown.

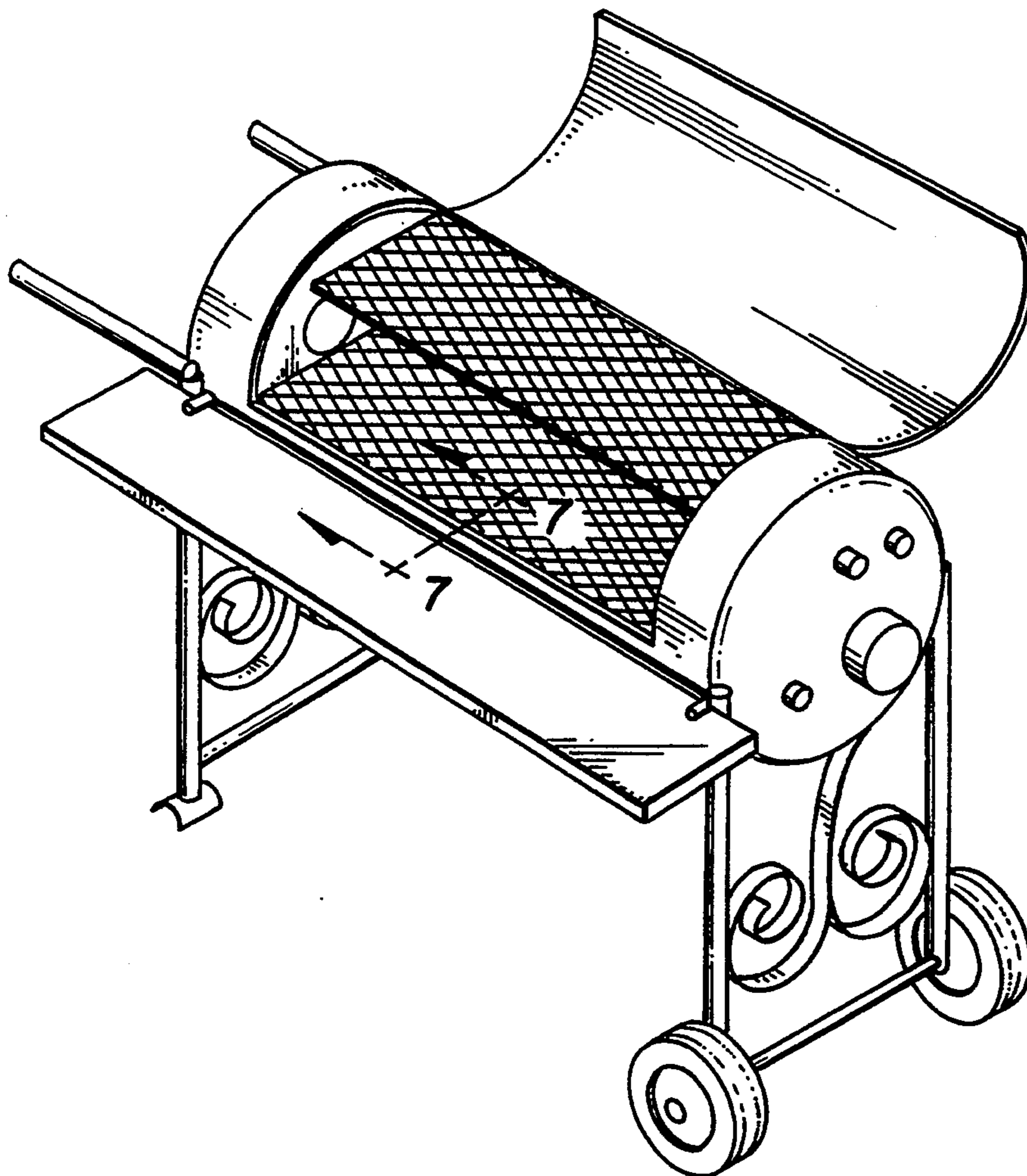
DESCRIPTION

FIG. 1 is a perspective view showing a charcoal grill embodying my new design, the cover being open; FIG. 2 is a right side elevational view thereof; the cover being closed; FIG. 3 is a left side elevational view thereof; FIG. 4 is a front elevational view thereof; FIG. 5 is a rear elevational view thereof; FIG. 6 is a top plan view thereof; and, FIG. 7 is a sectional view taken along lines 7—7 in FIG. 1.

[56] **References Cited**

U.S. PATENT DOCUMENTS

D. 165,998	2/1952	Pollard	D7/334
D. 196,553	10/1963	Mayer	D7/334
D. 229,660	12/1973	Gammon	D7/332
2,666,426	1/1954	Pollard	D7/334
4,090,490	5/1978	Riley et al.	126/25 R



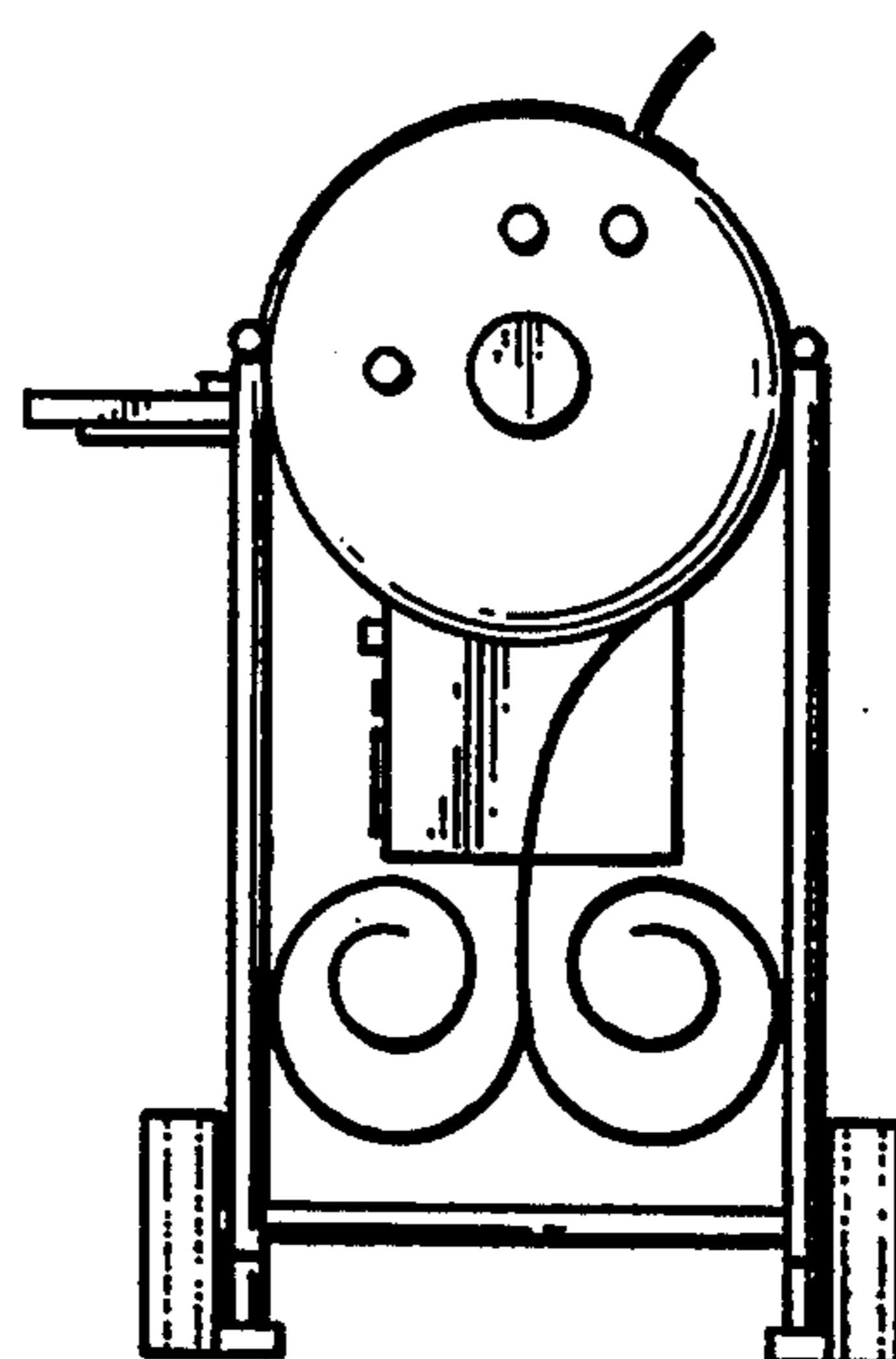
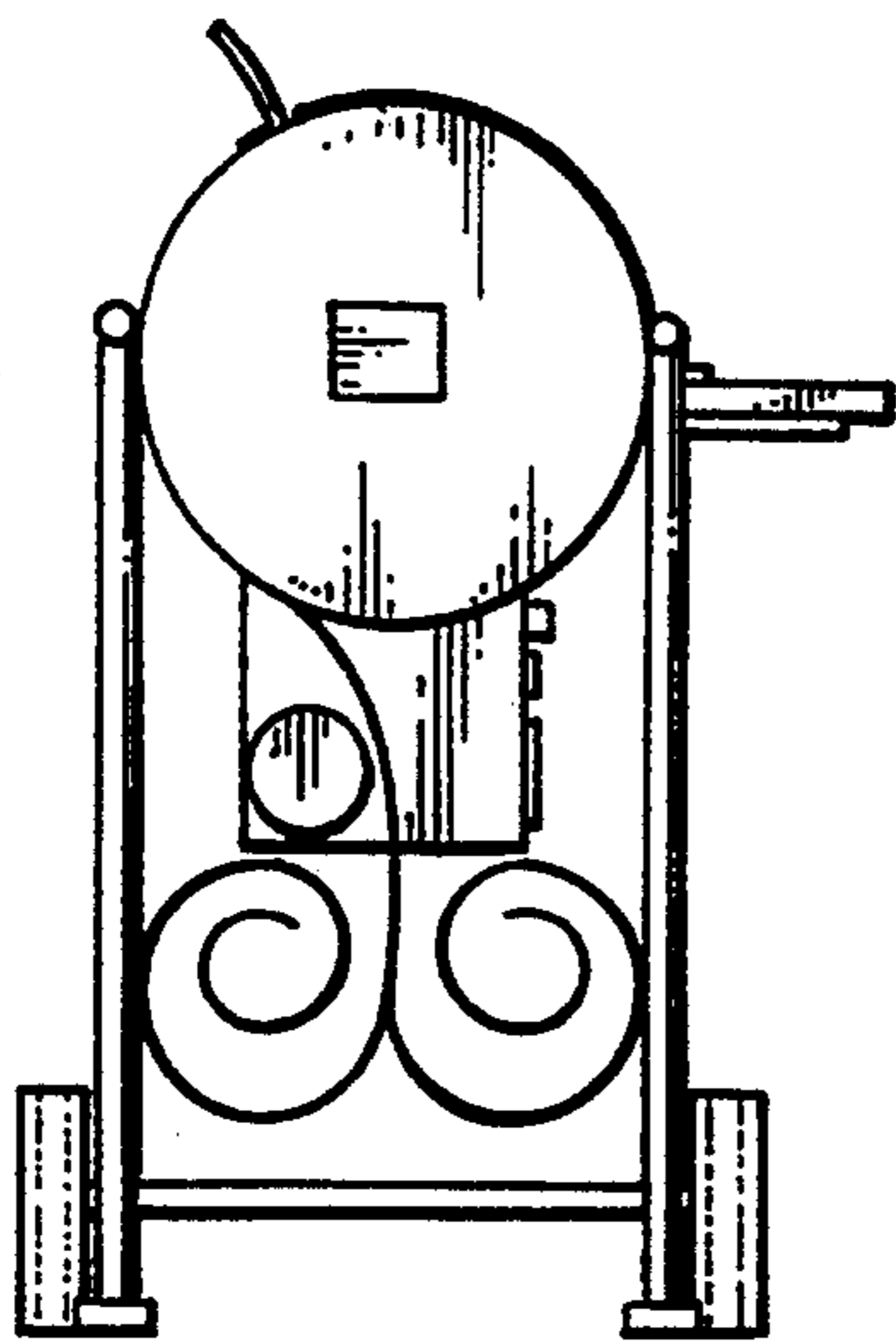
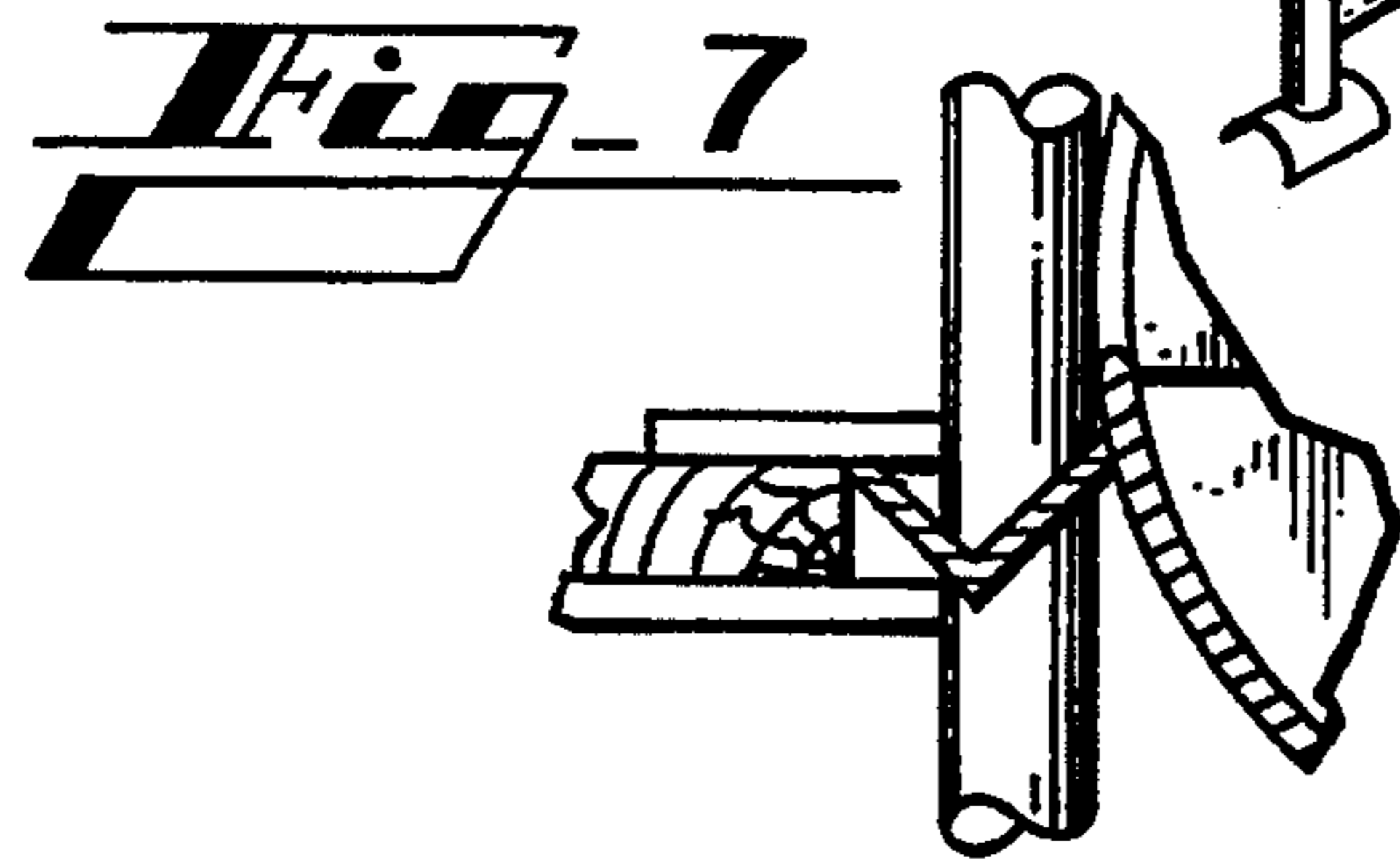
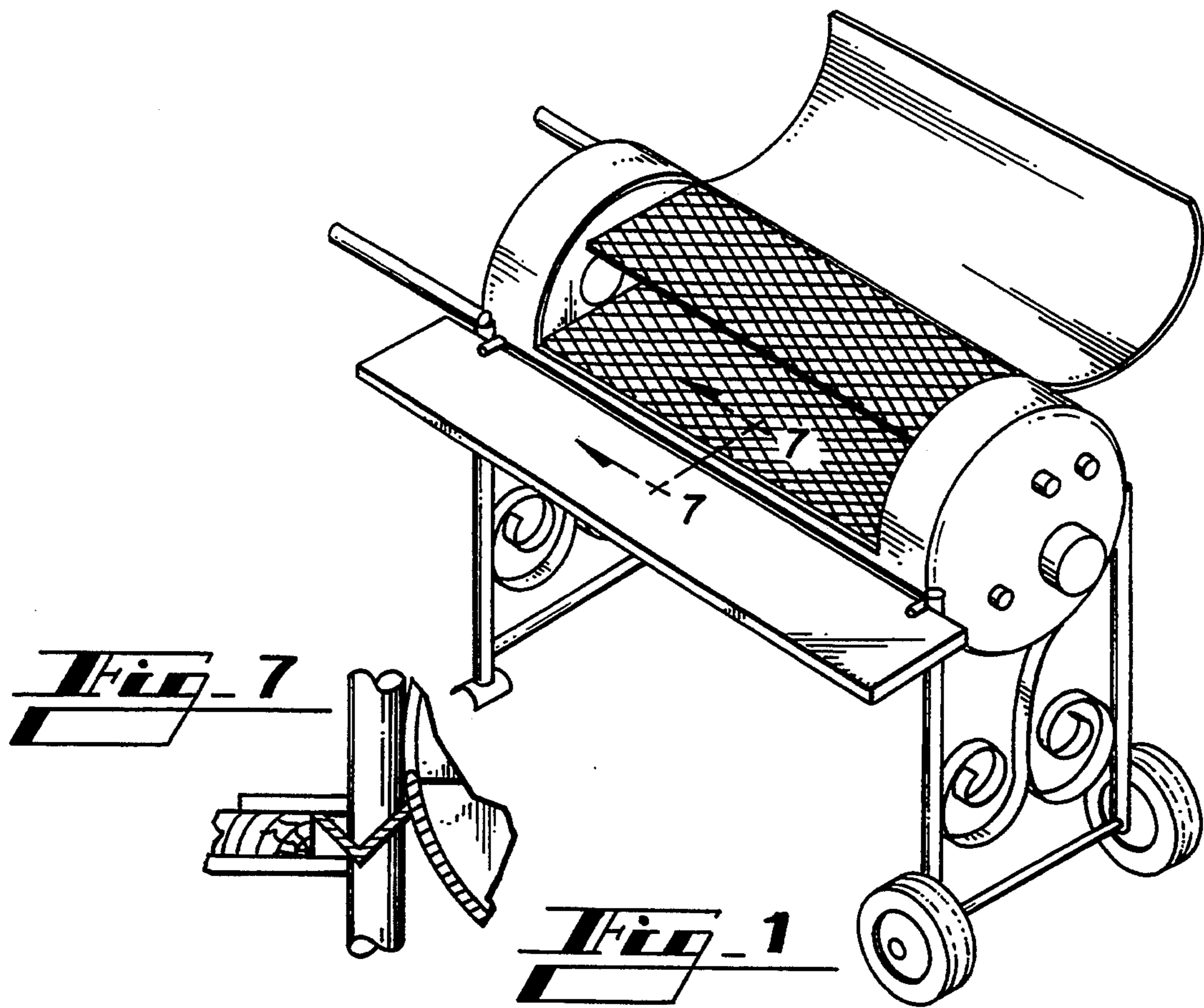


Fig. 4

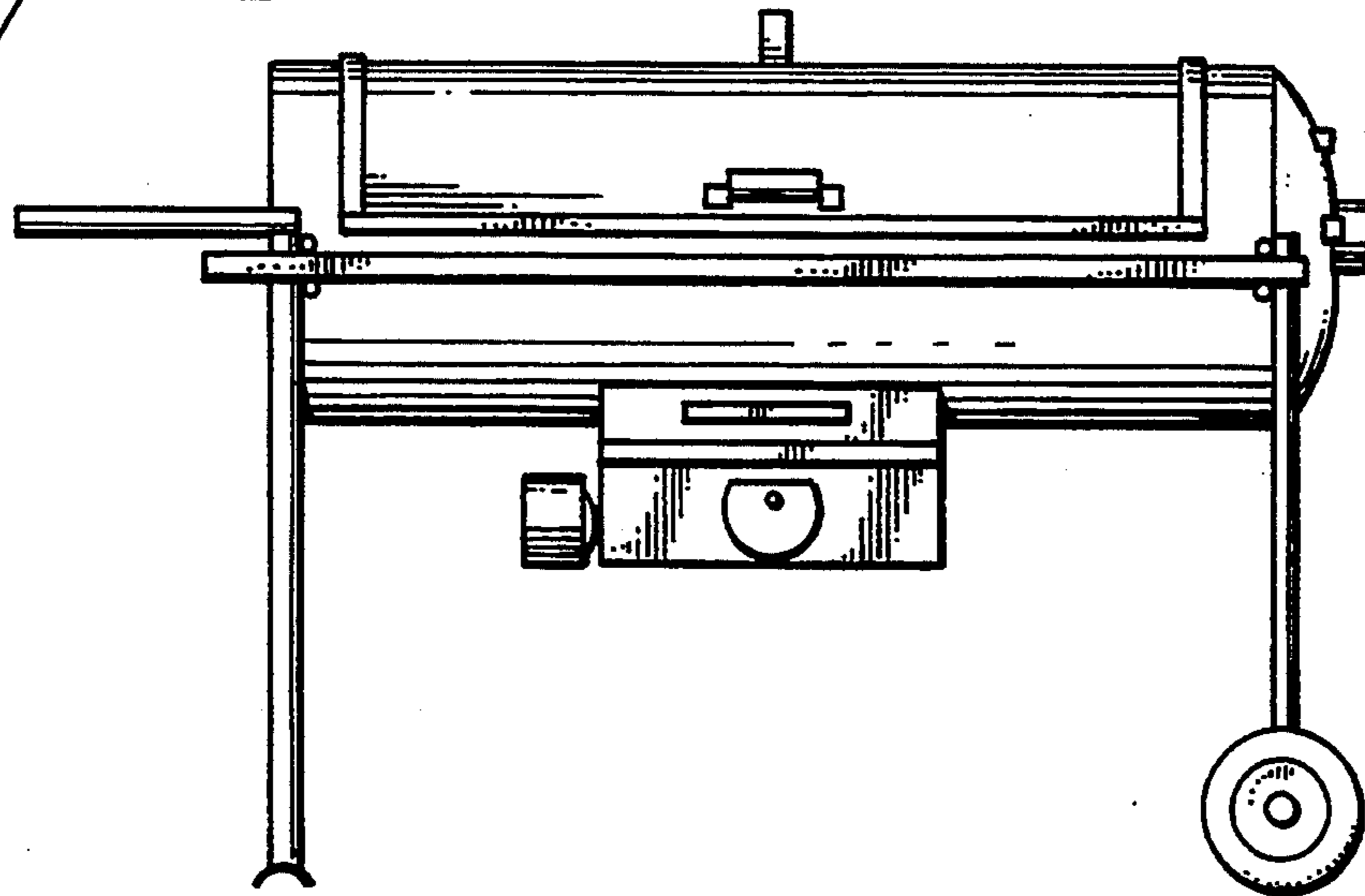


Fig. 5

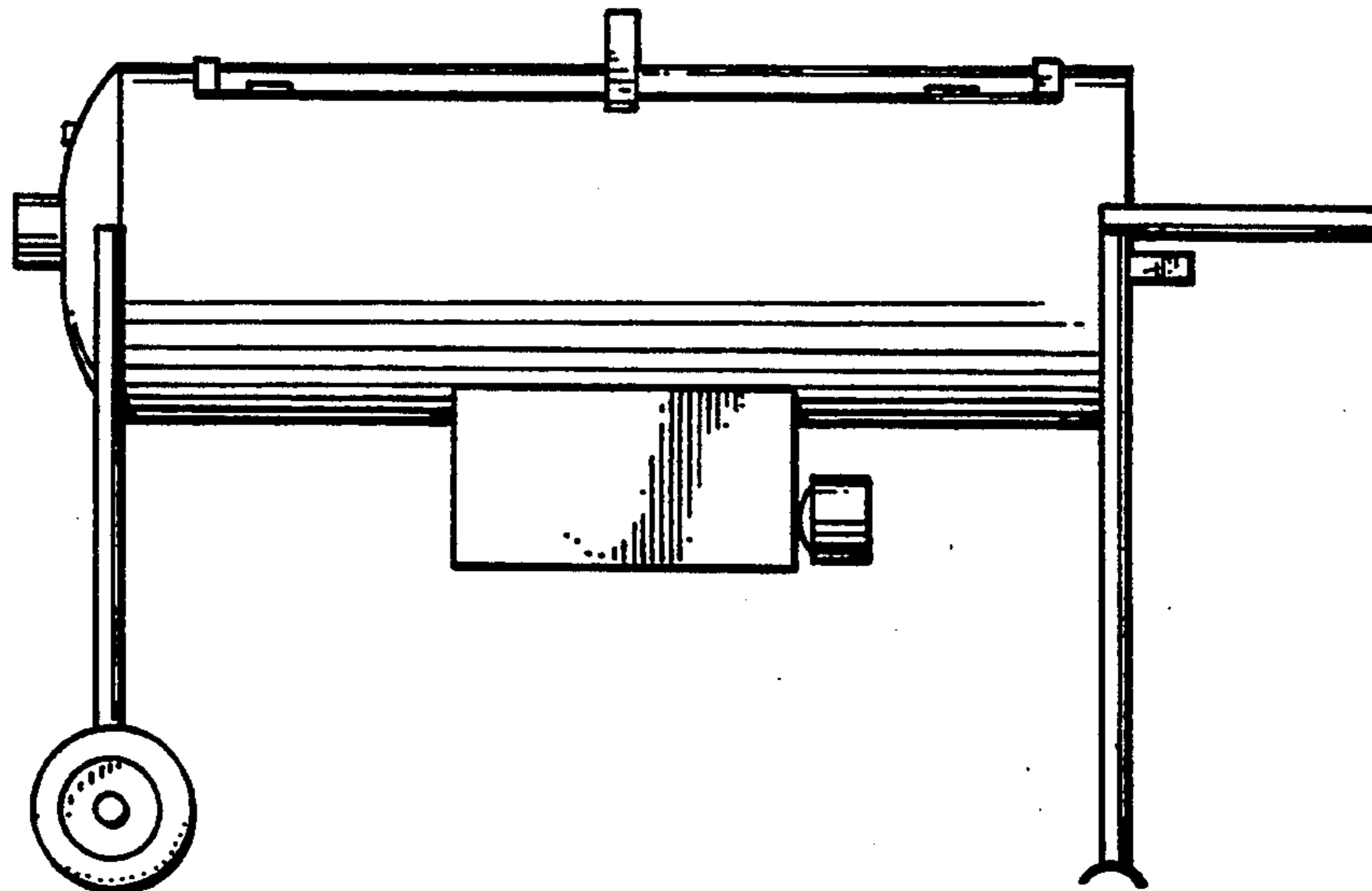


Fig. 6

