



US00D352857S

# United States Patent [19] Underdahl

[11] Patent Number: **Des. 352,857**  
[45] Date of Patent: **\*\* Nov. 29, 1994**

[54] **ORNAMENTAL LOUVER**

[75] Inventor: **Russell H. Underdahl**, Arden Hills, Minn.

[73] Assignee: **Pinecrest, Inc.**, Minneapolis, Minn.

[\*\*] Term: **14 Years**

[21] Appl. No.: **656**

[22] Filed: **Oct. 20, 1992**

[52] U.S. Cl. .... **D6/580; D6/575; D6/577**

[58] Field of Search ..... **D6/575, 577, 580; 49/74.1, 92.1; 160/236; D25/47, 53**

[56] **References Cited**

**U.S. PATENT DOCUMENTS**

D. 11,311	7/1854	Ward .....	D6/577 X
D. 304,497	11/1989	Briggs, Sr. .	
345,689	7/1886	Hayes .	
2,575,004	11/1951	Condron, Jr. ....	49/92.1 X
2,799,061	7/1957	Hadary .....	D6/577 X
4,887,391	12/1989	Briggs, Sr. .	
4,974,362	12/1990	Briggs, Sr. .	

**FOREIGN PATENT DOCUMENTS**

1558865	1/1969	France .....	160/236
6501514	8/1965	Netherlands .....	49/74.1

**OTHER PUBLICATIONS**

2-page brochure re. the Pinecrest Light Shapers, ©Pinecrest, 1988.

*Primary Examiner*—Nelson C. Holtje  
*Assistant Examiner*—Monica R. Hannon  
*Attorney, Agent, or Firm*—Merchant, Gould, Smith, Edell, Welter & Schmidt

[57] **CLAIM**

The ornamental design for an ornamental louver, as shown and described.

**DESCRIPTION**

FIG. 1 is a perspective view of a louver according to the principles of the present invention;  
FIG. 2 is a left end view thereof, a right end view not being shown, as it is a mirror image of the left end view;  
FIG. 3 is a front elevational view thereof, a rear elevational view not being shown, as it is a mirror image of the front elevational view; and,  
FIG. 4 is a top plan view thereof, a bottom plan view not being shown, as it is a mirror image of the top plan view.

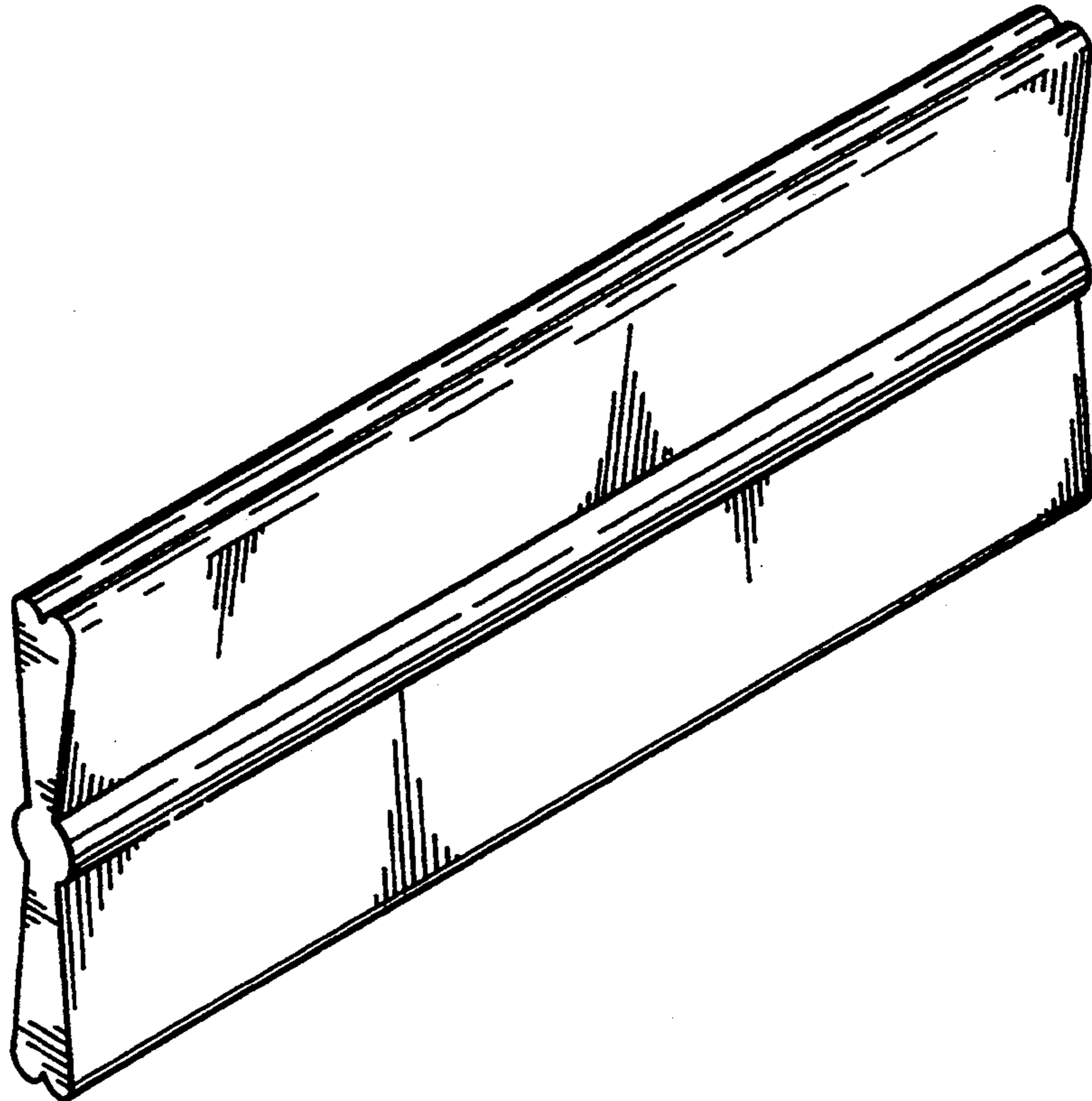


FIG. 1

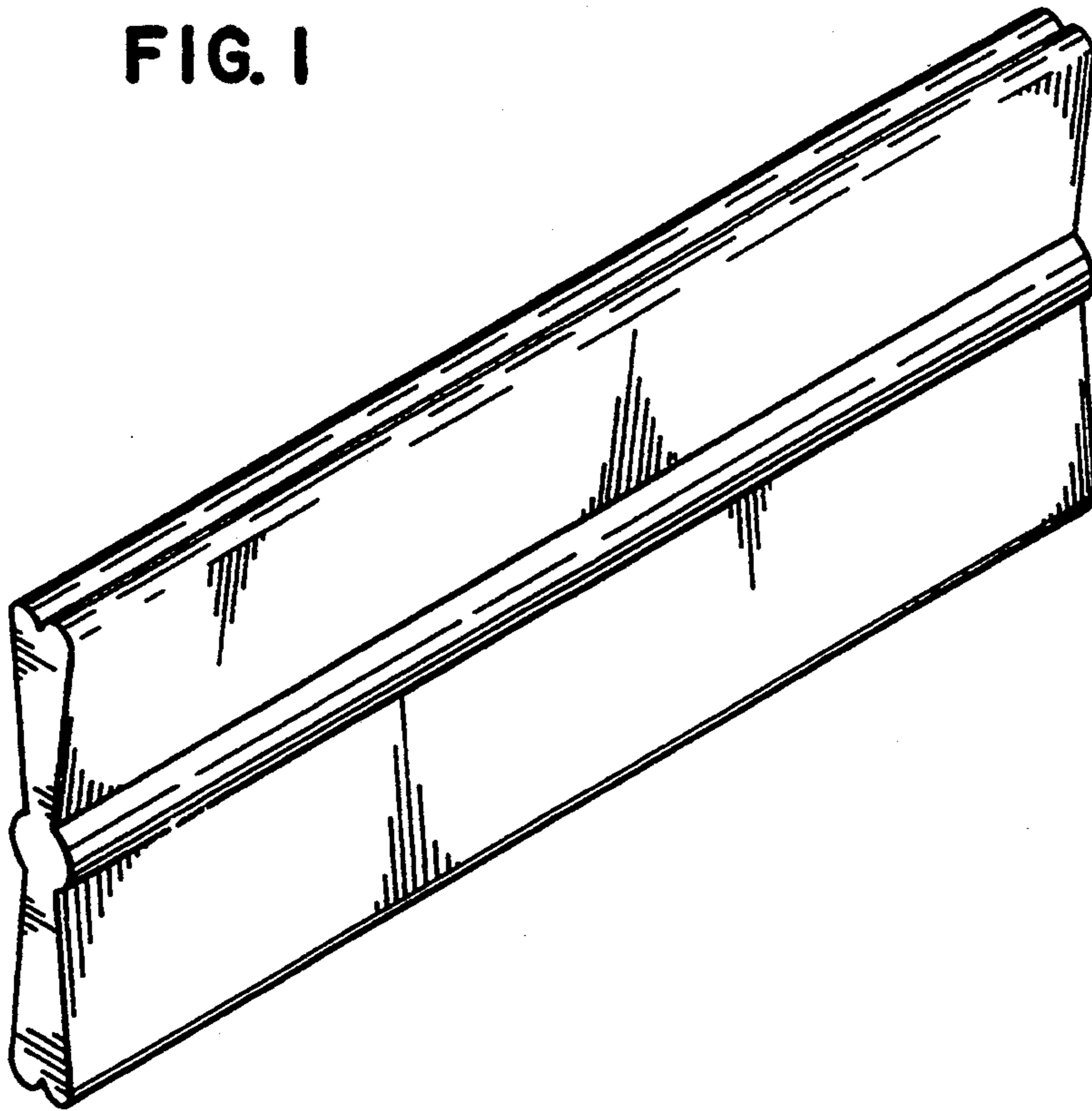


FIG. 2

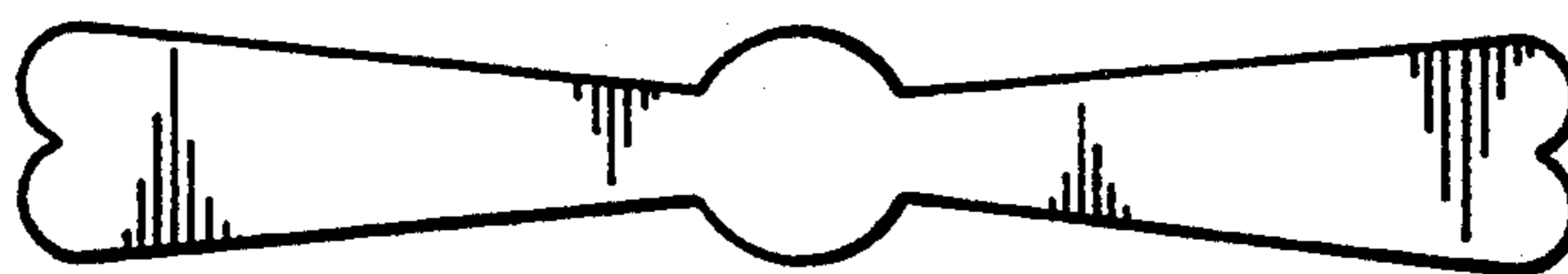


FIG. 3

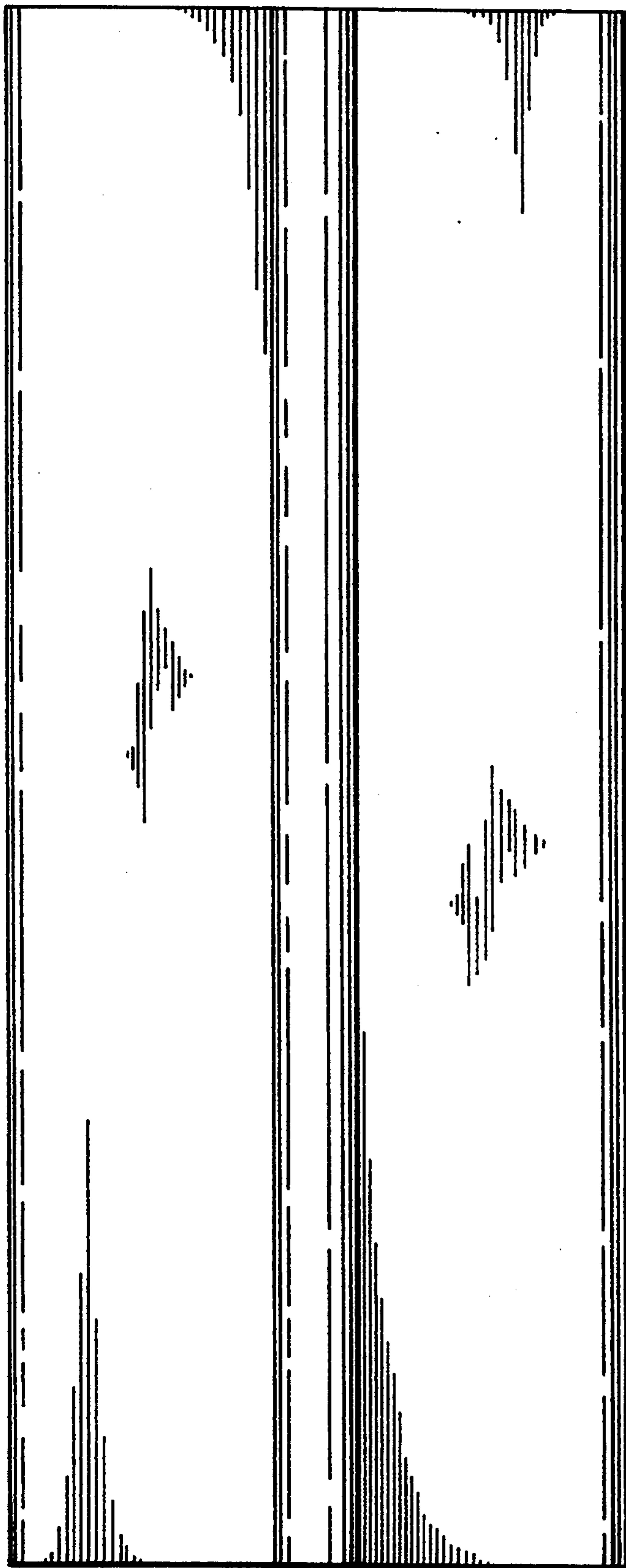


FIG. 4

