



US00D352849S

United States Patent [19]

D'Alessio

[11] Patent Number: **Des. 352,849**

[45] Date of Patent: **** Nov. 29, 1994**

[54] **NEWSPAPER STAND TO POSITION AND TO HOLD RECYCLABLE NEWSPAPERS**

[76] Inventor: **M. Anthony D'Alessio**, 10301 SE. 28th, Bellevue, Wash. 98004

[**] Term: **14 Years**

[21] Appl. No.: **935,563**

[22] Filed: **Aug. 26, 1992**

[52] U.S. Cl. **D6/466**

[58] Field of Search **D6/464-470, D6/462, 474-476; 248/174, 95, 97, 99, 907; D34/5**

D. 334,307 3/1993 Lee D6/462
D. 334,854 4/1993 Pestone D6/475 X

Primary Examiner—Alan P. Douglas
Assistant Examiner—S. Snapp
Attorney, Agent, or Firm—Roy E. Mattern, Jr.

[57] CLAIM

The ornamental design for a newspaper stand to position and to hold recyclable newspapers, as shown and described.

DESCRIPTION

FIG. 1 is a perspective view of a newspaper stand to position and to hold recyclable newspapers, showing my new design in solid lines, and a stack of newspapers in phantom lines are for illustrative purposes only and do not form any part of the claimed design.

FIG. 2 is a front view thereof, with a back view being a mirror image thereof;

FIG. 3 is a right side view thereof, with the left side view being a mirror image thereof;

FIG. 4 is a top view thereof; and,

FIG. 5 is a bottom view thereof.

[56] References Cited

U.S. PATENT DOCUMENTS

D. 94,759	3/1935	Hellborn	D6/467
D. 159,165	6/1950	Rippe	D6/462
D. 256,642	9/1980	Lovell	D6/475
D. 314,097	1/1991	Buist	D6/462
D. 328,535	8/1992	Dupre et al.	D6/475
D. 330,130	10/1992	Evans	D6/475
D. 333,051	2/1993	Craft et al.	D6/475

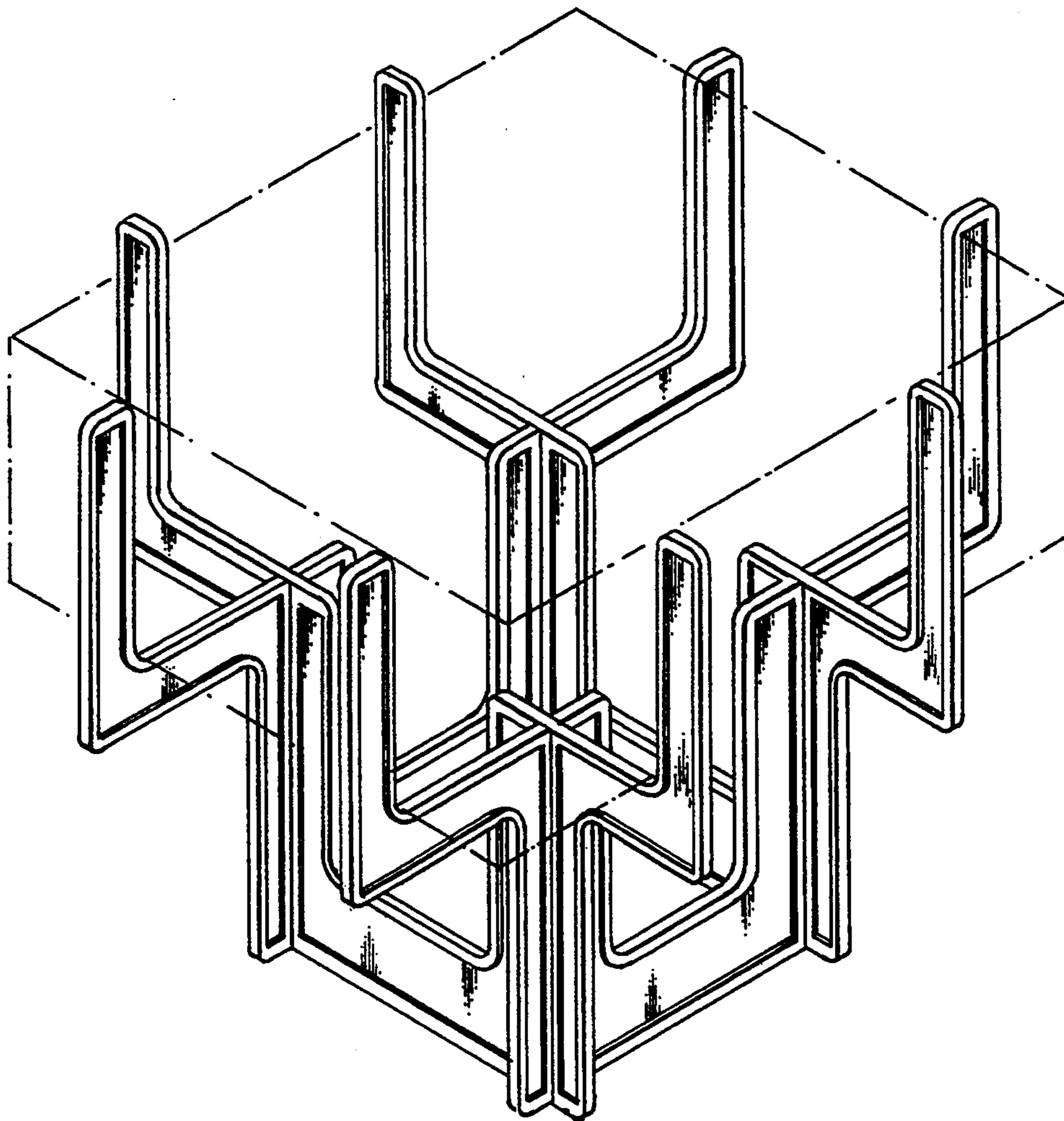


FIG. 1

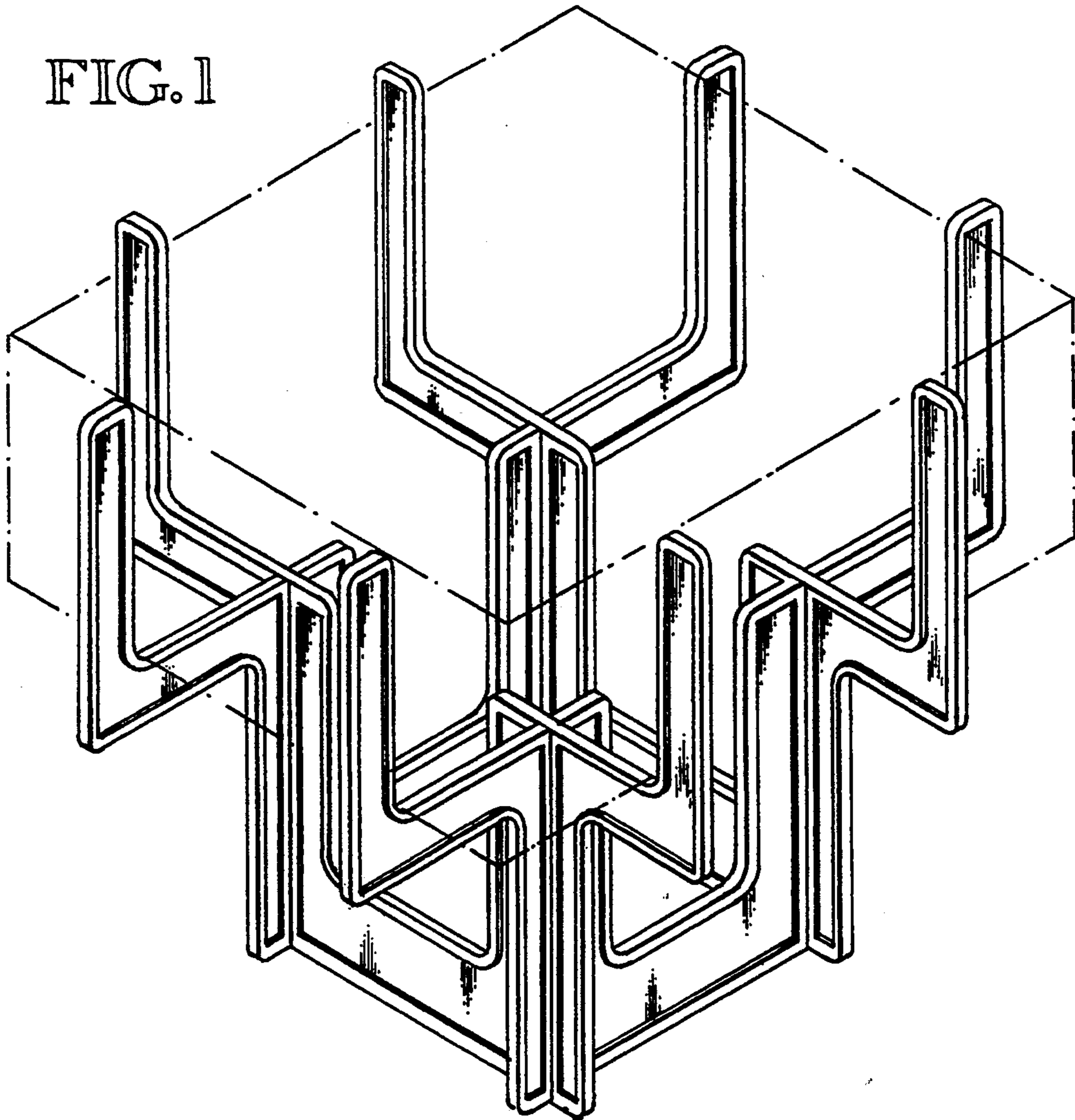


FIG. 2

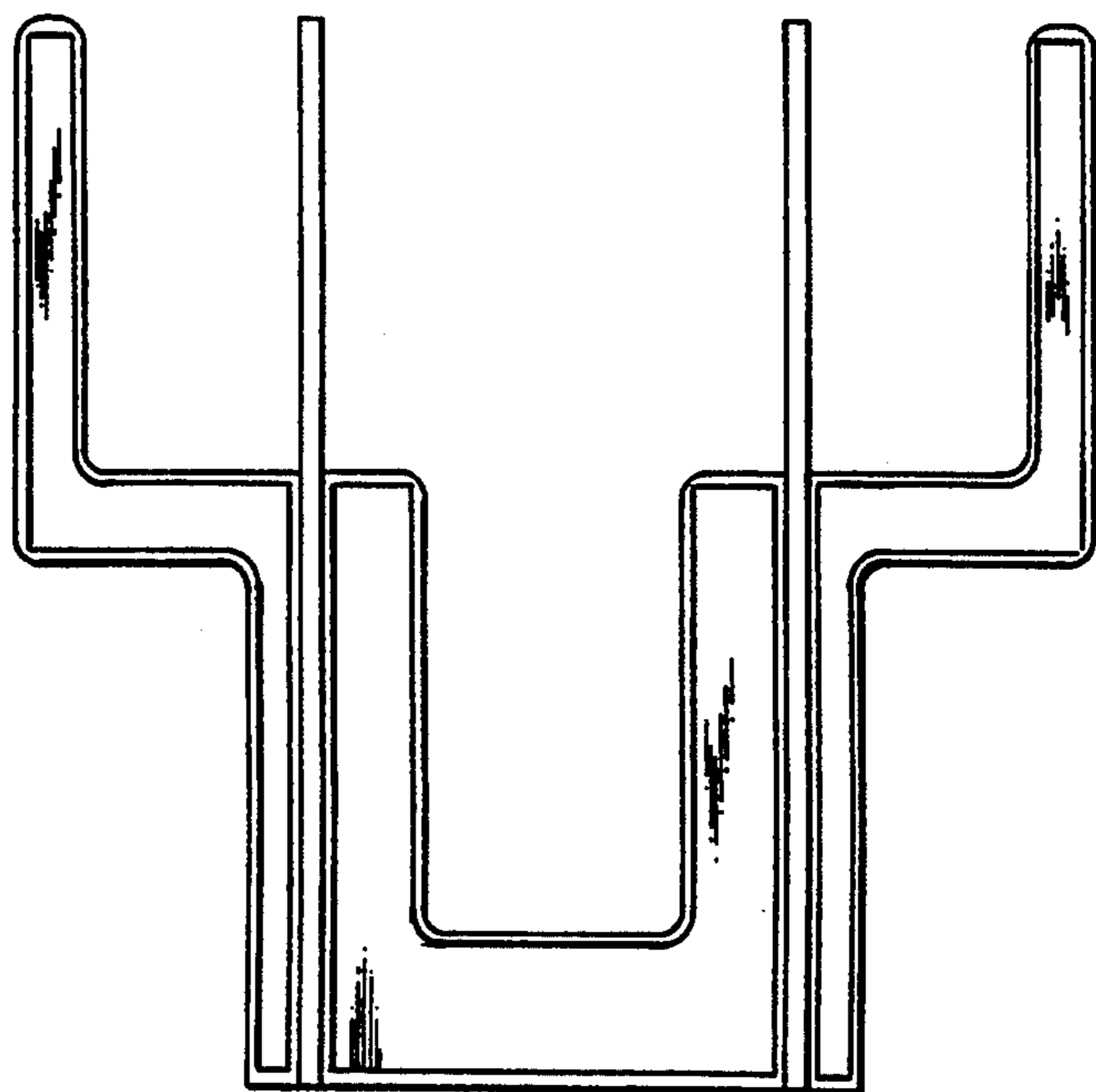


FIG. 3

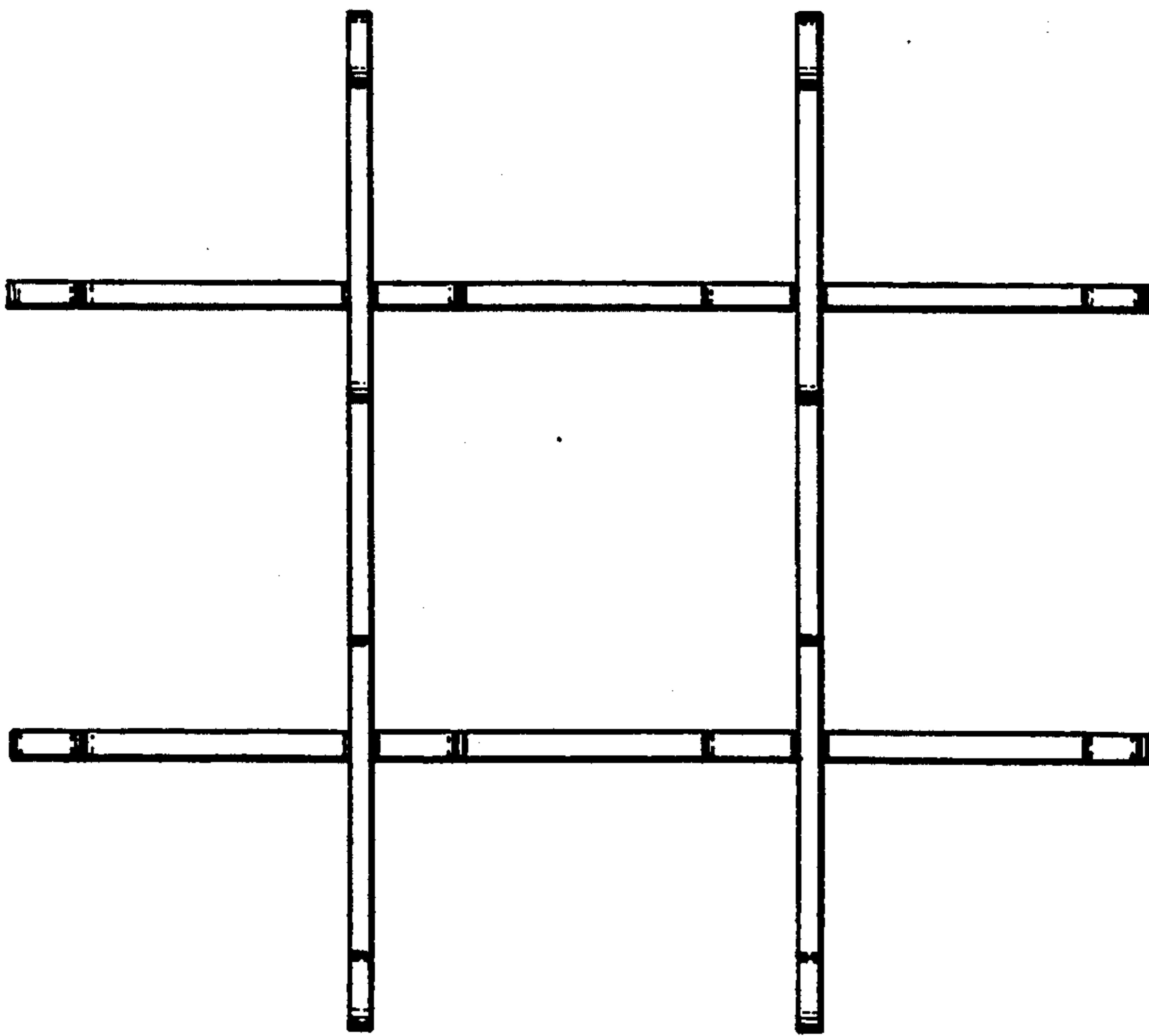
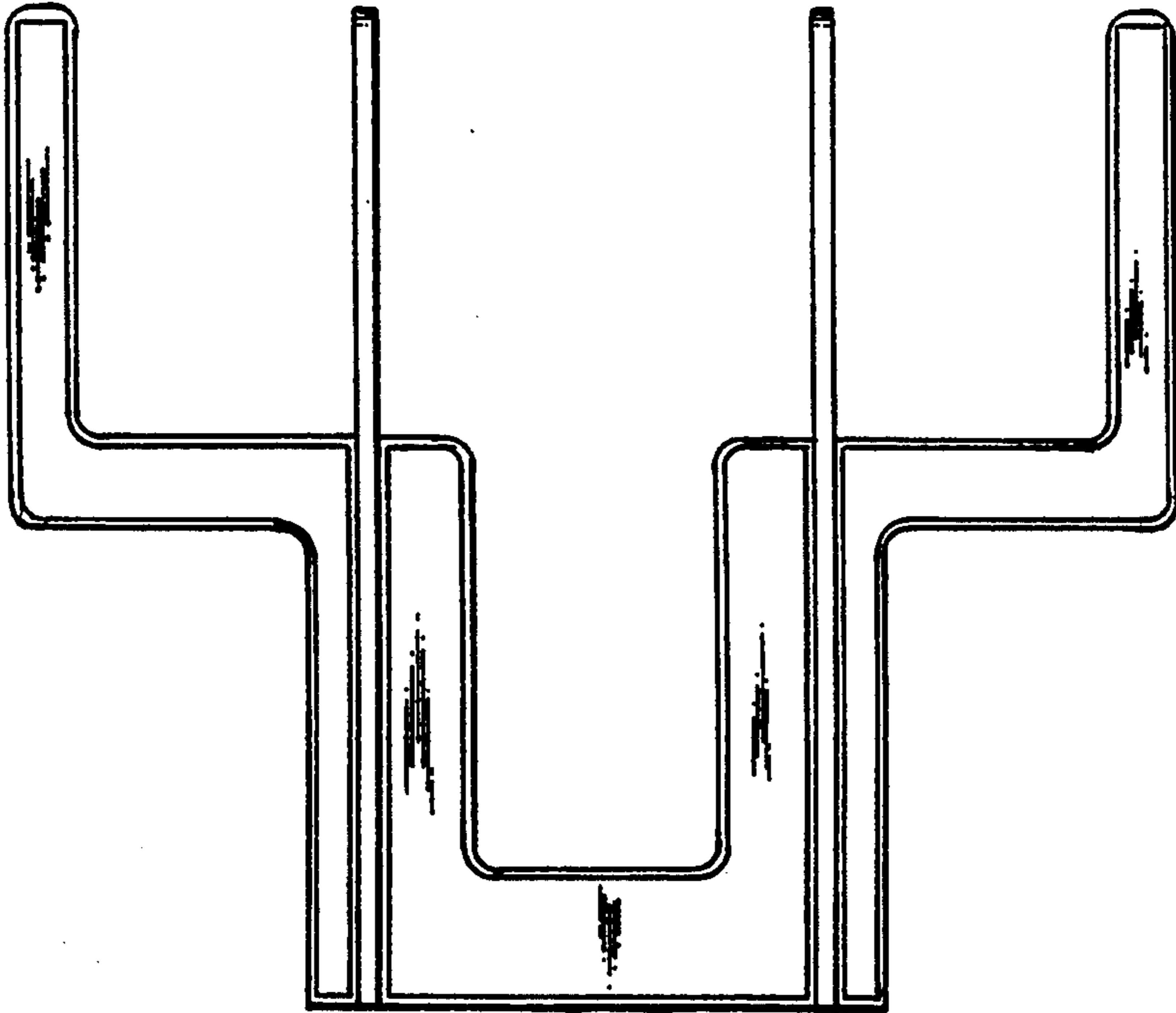


FIG. 4

FIG. 5

