



US00D352847S

# United States Patent [19] Station

[11] Patent Number: **Des. 352,847**

[45] Date of Patent: **\*\* Nov. 29, 1994**

[54] **BED CLOTHES SUPPORT**

[76] Inventor: **Daniel C. Station, Box 2357,  
Mountain Home AFB, Id.  
83648-2357**

[\*\*] Term: **14 Years**

[21] Appl. No.: **4,498**

[22] Filed: **Feb. 5, 1993**

[52] U.S. Cl. .... **D6/462; D6/503**

[58] Field of Search ..... **D6/449, 503, 462-465,  
D6/505, 508, 411-415; 5/504.1, 505.1, 506.1;  
211/181, 182, 13**

[56] **References Cited**

**U.S. PATENT DOCUMENTS**

D. 227,324	6/1973	Rauch .....	D6/411 X
D. 339,702	9/1993	Herskovitz .....	D6/503
D. 342,529	12/1993	Schumacher et al. ....	D6/462 X
2,235,191	3/1941	Arnould .....	5/505.1
3,317,932	5/1967	Gibbons .	
3,752,324	8/1973	Moser .....	211/181
3,808,614	5/1974	Reinhard .....	5/505.1

3,967,334	7/1976	Ricke .	
4,570,275	2/1986	Merriman .	
4,841,589	6/1989	Moore .....	5/505.1

**OTHER PUBLICATIONS**

Sears, Spring & Summer 1972, p. 1337, Item 2.

*Primary Examiner*—Alan P. Douglas

*Assistant Examiner*—Jeffrey Asch

*Attorney, Agent, or Firm*—Terry M. Gernstein

[57] **CLAIM**

The ornamental design for a bed clothes support, as shown and described.

**DESCRIPTION**

FIG. 1 is a front, top and side perspective view of the bed clothes support embodying the design of the present invention;

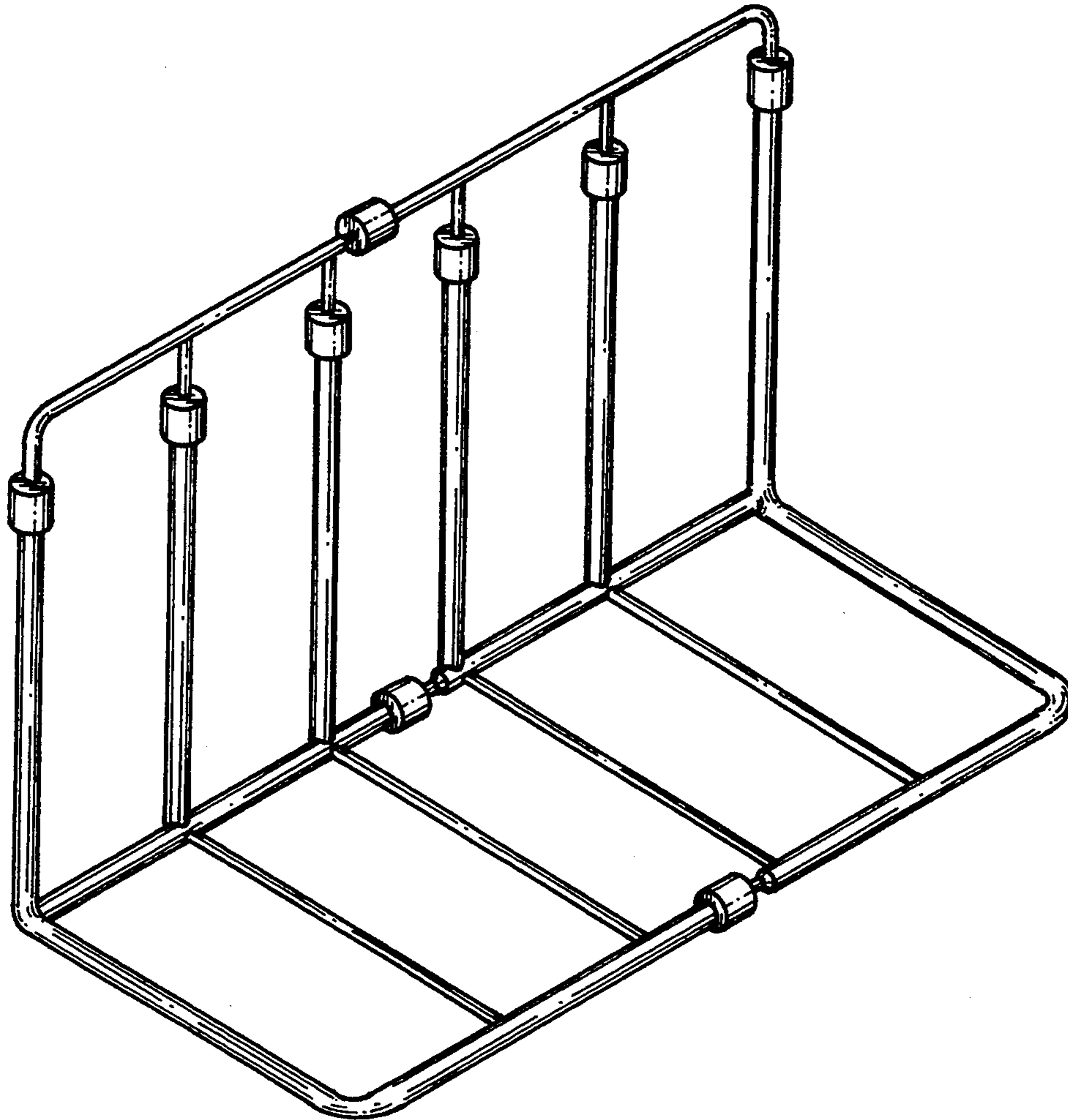
FIG. 2 is an end elevational view thereof, the end opposite being a mirror image of the end shown in FIG. 2;

FIG. 3 is a front elevational view thereof;

FIG. 4 is a rear elevational view thereof;

FIG. 5 is a top plan view thereof; and,

FIG. 6 is a bottom plan view thereof.



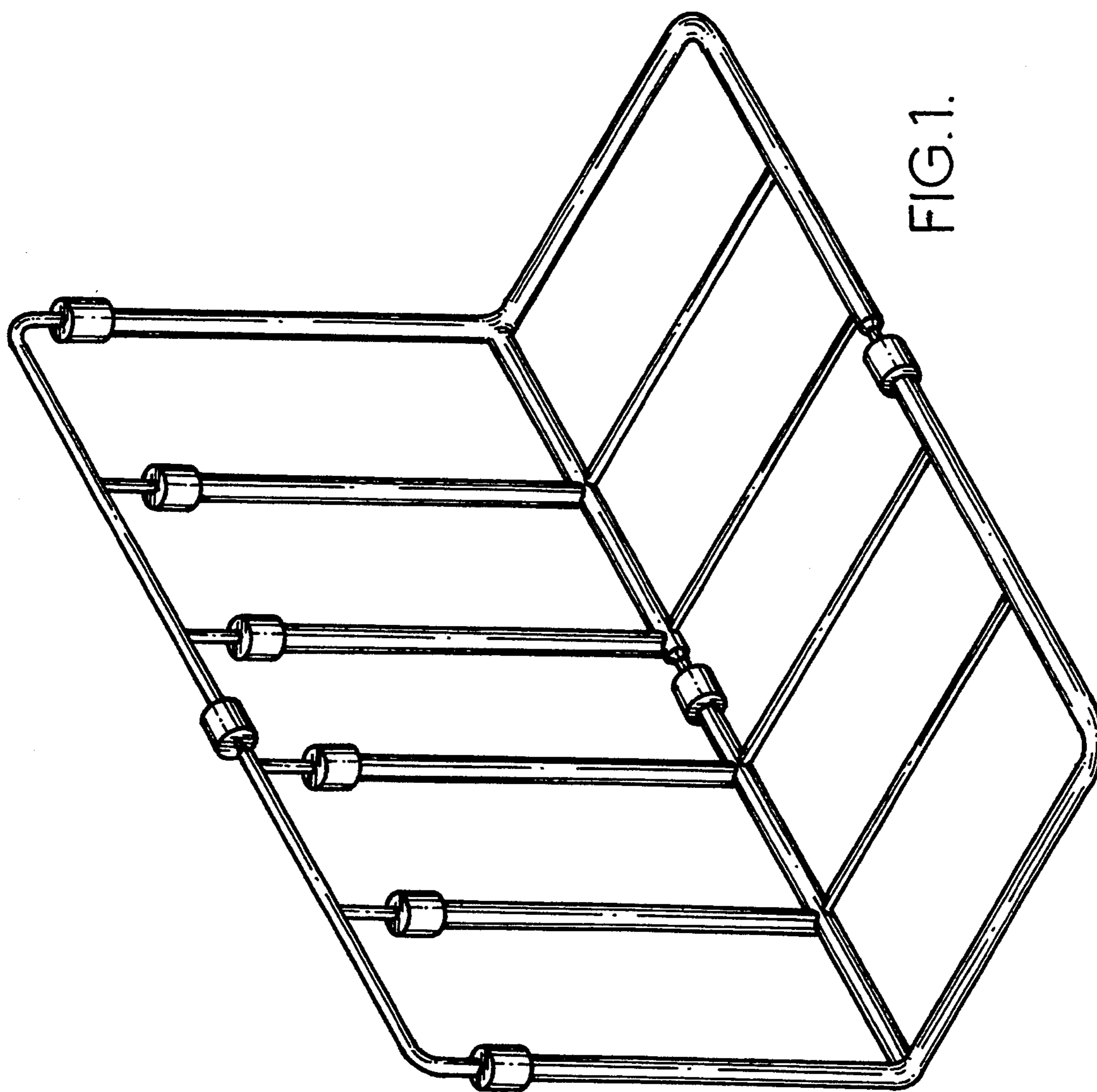


FIG. 1.

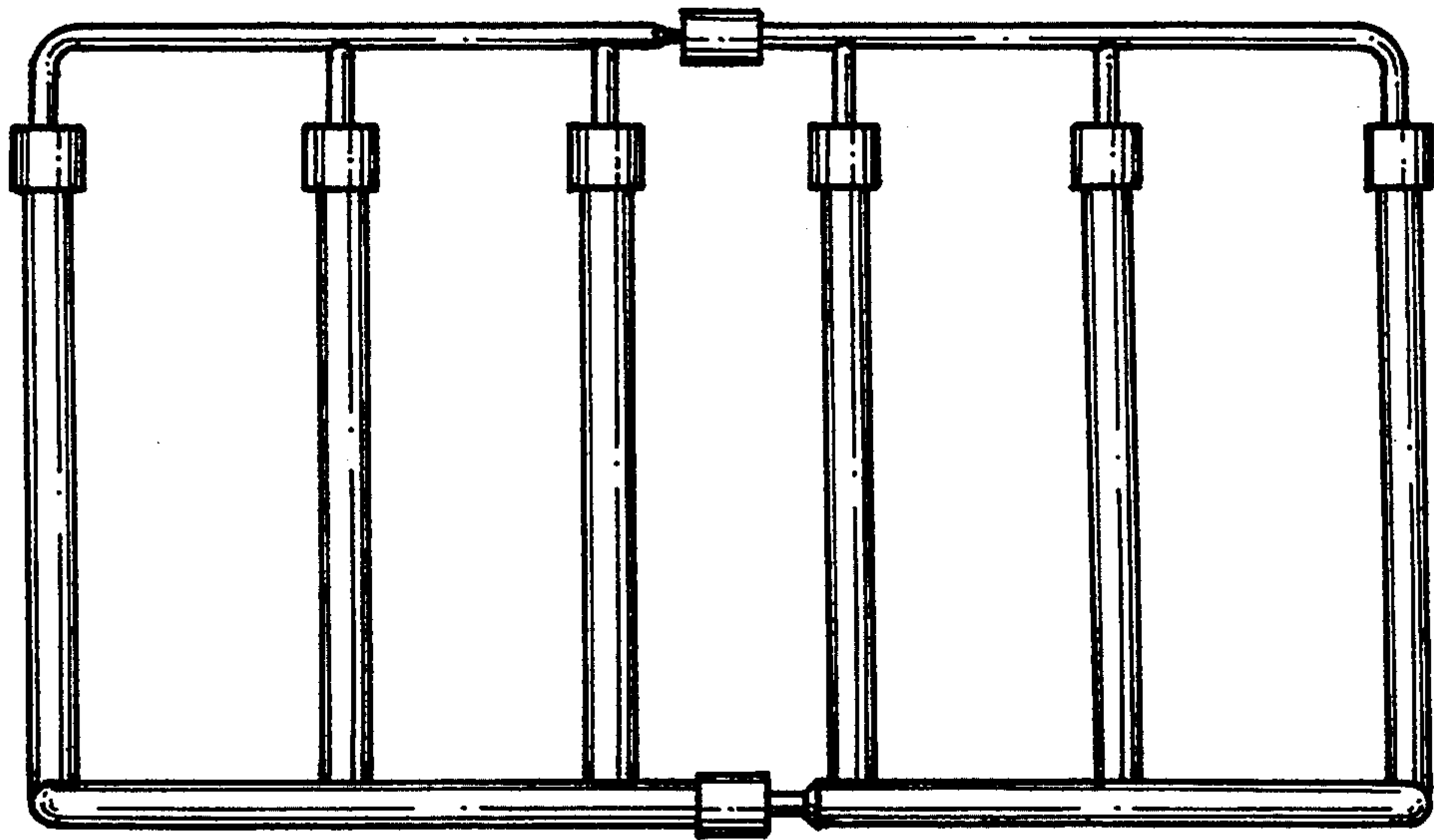


FIG. 3.

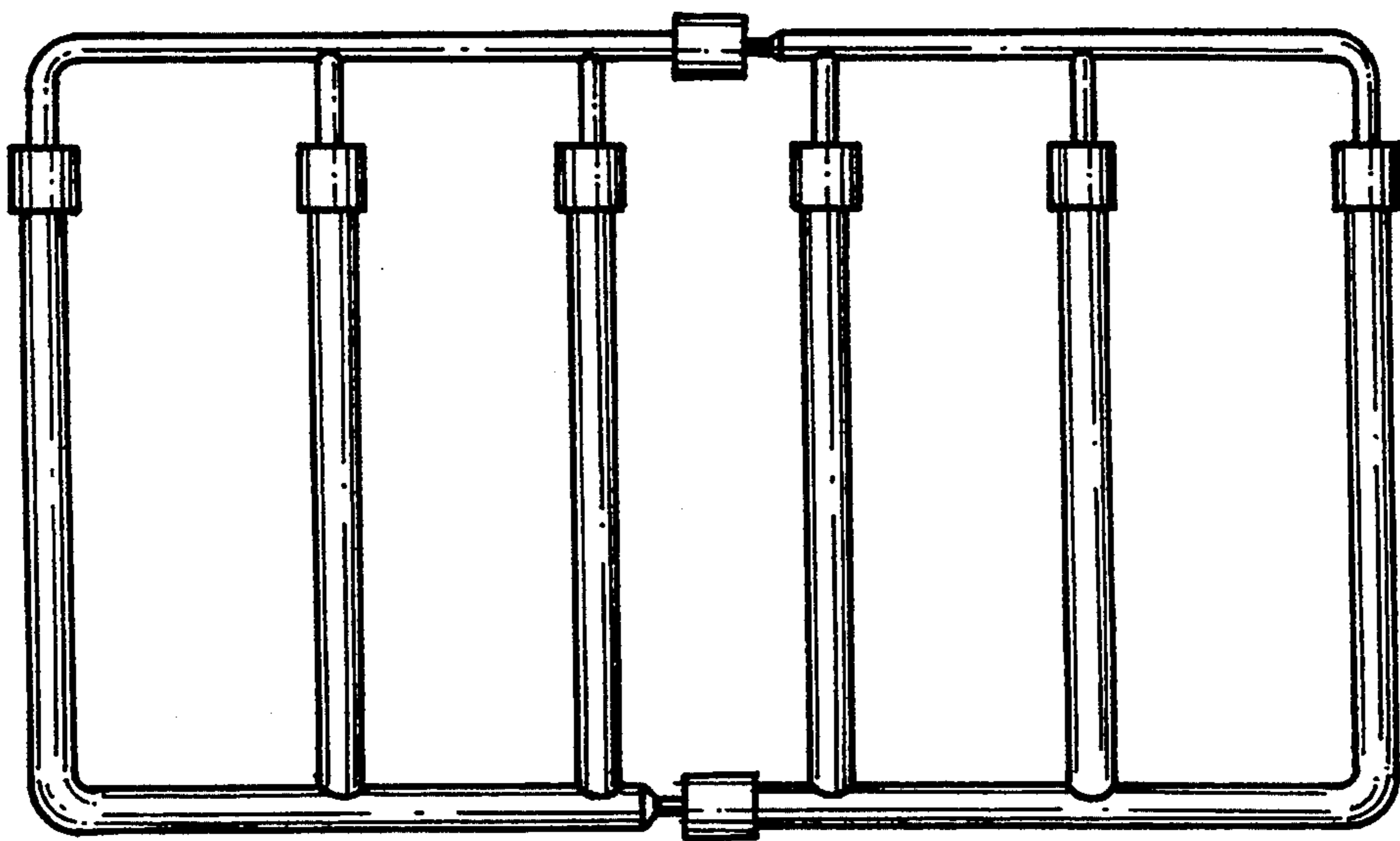


FIG. 4.

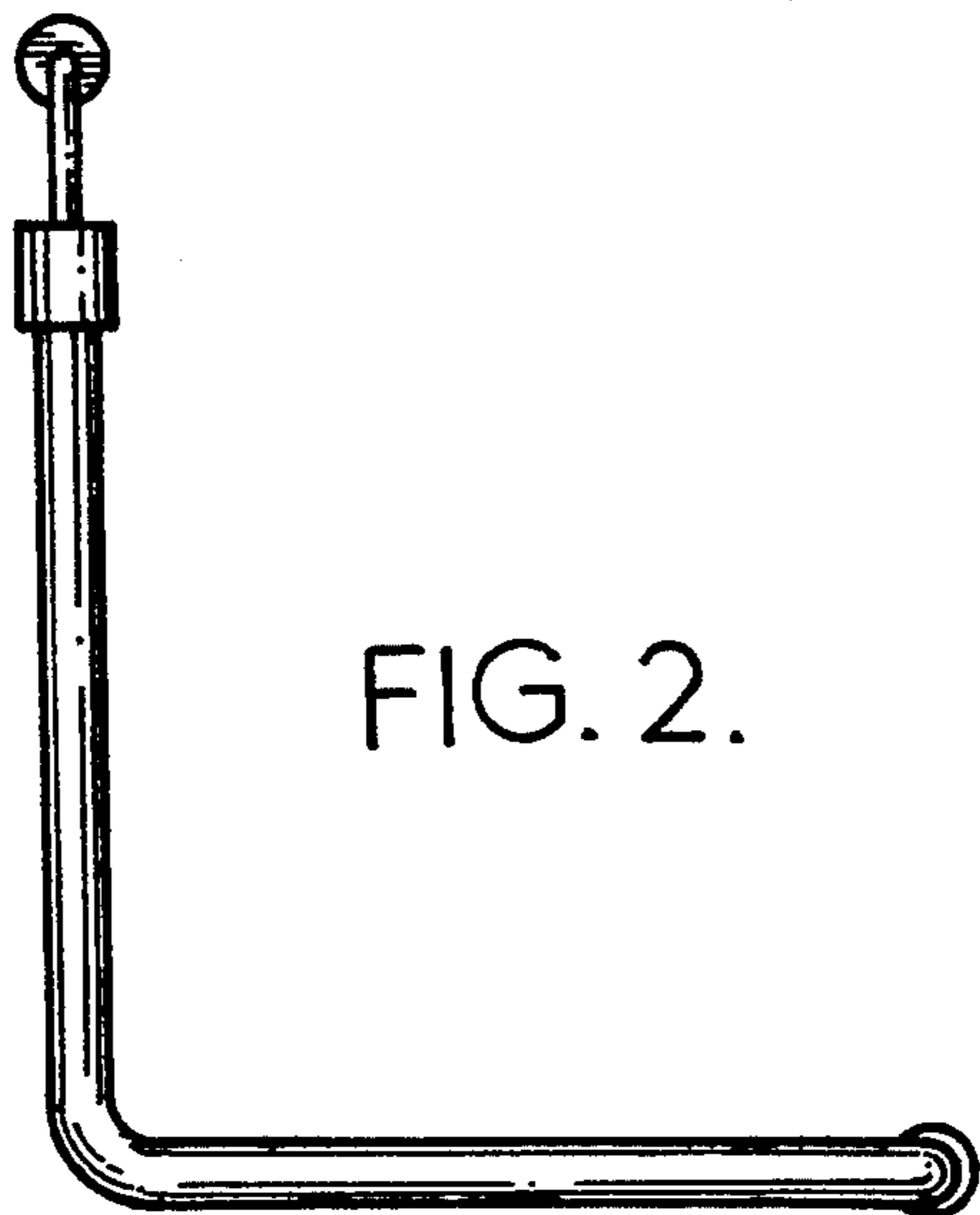


FIG. 2.

FIG. 5.

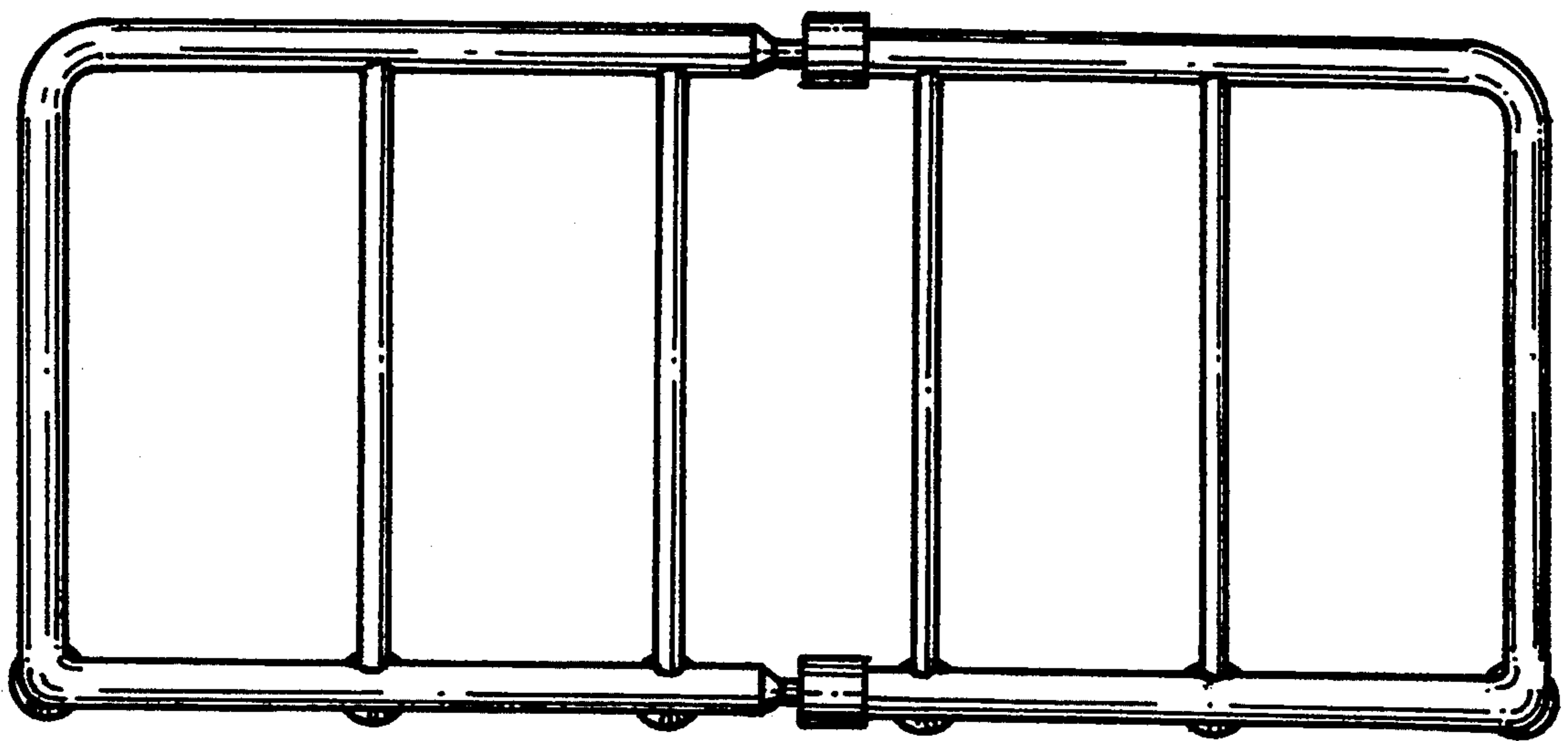
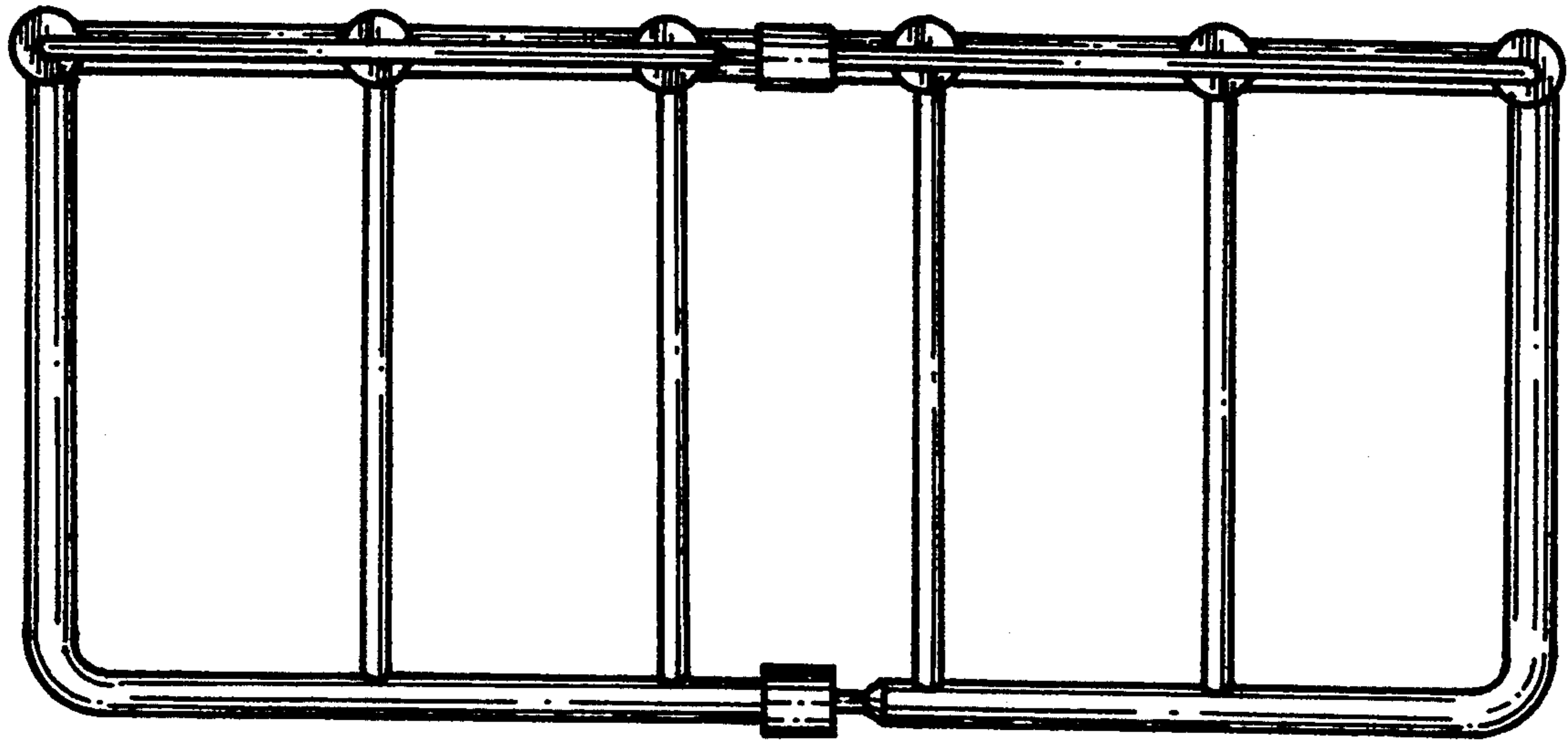


FIG. 6.