



US00D352845S

United States Patent [19]

Hellwig et al.

[11] Patent Number: **Des. 352,845**

[45] Date of Patent: **** Nov. 29, 1994**

[54] **DESK**

[75] Inventors: **John Hellwig, Toronto; David M. Stevenson, Barrie; Johnny N. Lim, Toronto, all of Canada**

[73] Assignee: **Teknion Furniture Systems, Downsview, Canada**

[**] Term: **14 Years**

[21] Appl. No.: **1,549**

[22] Filed: **Nov. 18, 1992**

[30] **Foreign Application Priority Data**

Jun. 5, 1992 [CA] Canada 05-06-92-6

[52] U.S. Cl. **D6/422; D6/431; D6/480**

[58] Field of Search **D6/419-428, D6/429-431, 480, 484; 312/194-196**

[56] **References Cited**

U.S. PATENT DOCUMENTS

D. 281,297 11/1985 Esslinger D6/484

D. 284,532	7/1986	Vogt	D6/428
D. 292,765	11/1987	Esslinger et al.	D6/484
D. 301,666	6/1989	Greutmann et al.	D6/480
D. 303,882	10/1989	Sottsas et al.	D6/422
D. 307,519	5/1990	Wright	D6/484
D. 312,541	12/1990	Wright	D6/484
D. 320,320	10/1991	van Ditshuizen	D6/422
D. 321,447	11/1991	Newhouse	D6/484
D. 334,103	3/1993	Koguma	D6/484

Primary Examiner—Carmen H. Vales-Lado

[57] **CLAIM**

The ornamental design for a desk, as shown.

DESCRIPTION

FIG. 1 is a rear perspective view of a desk showing our new design;
FIG. 2 is a front perspective view thereof;
FIG. 3 is a rear elevational view thereof;
FIG. 4 is a left side elevational view thereof;
FIG. 5 is a front elevational view thereof;
FIG. 6 is a right side elevational view thereof; and,
FIG. 7 is a top plan view thereof.

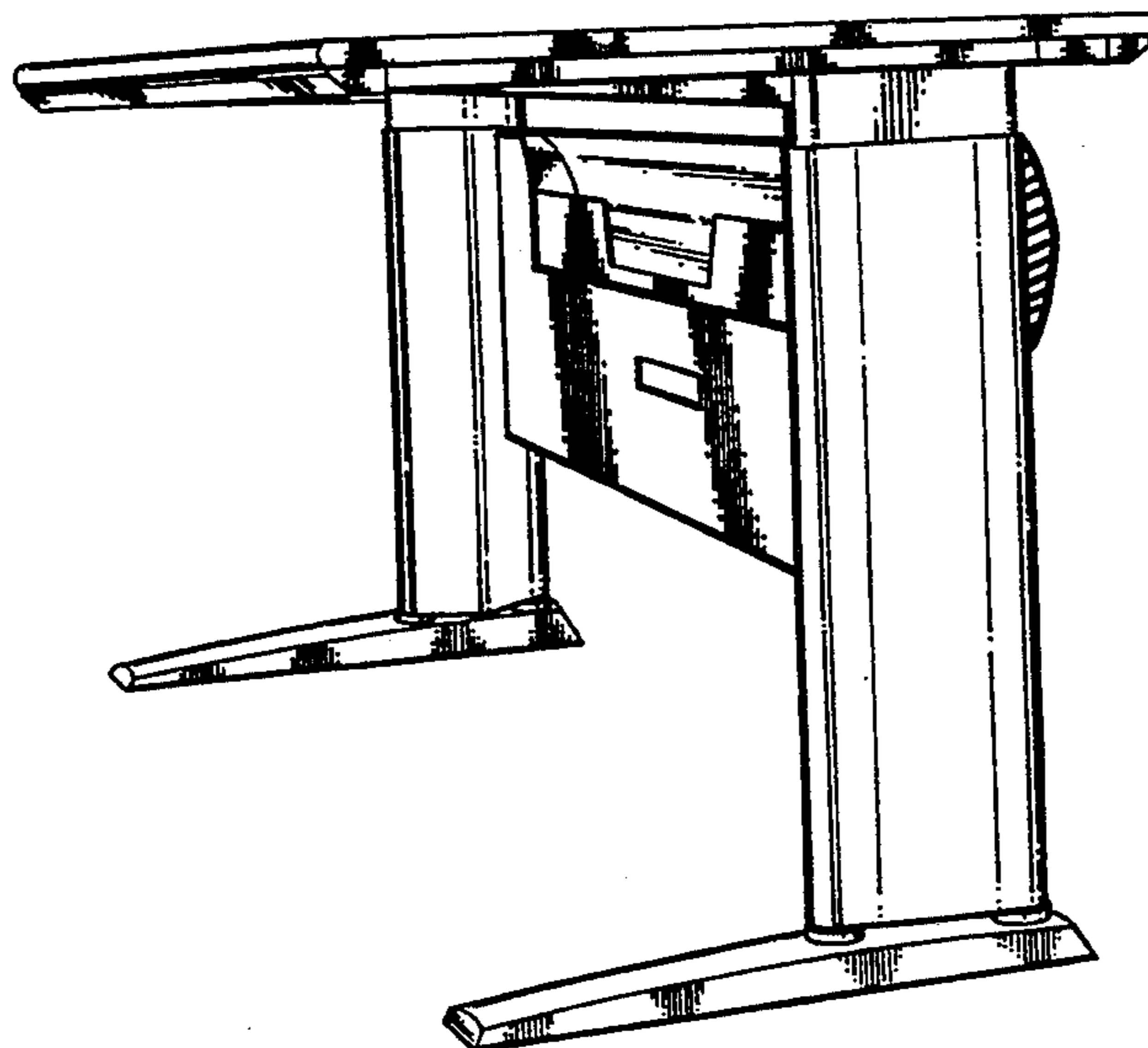
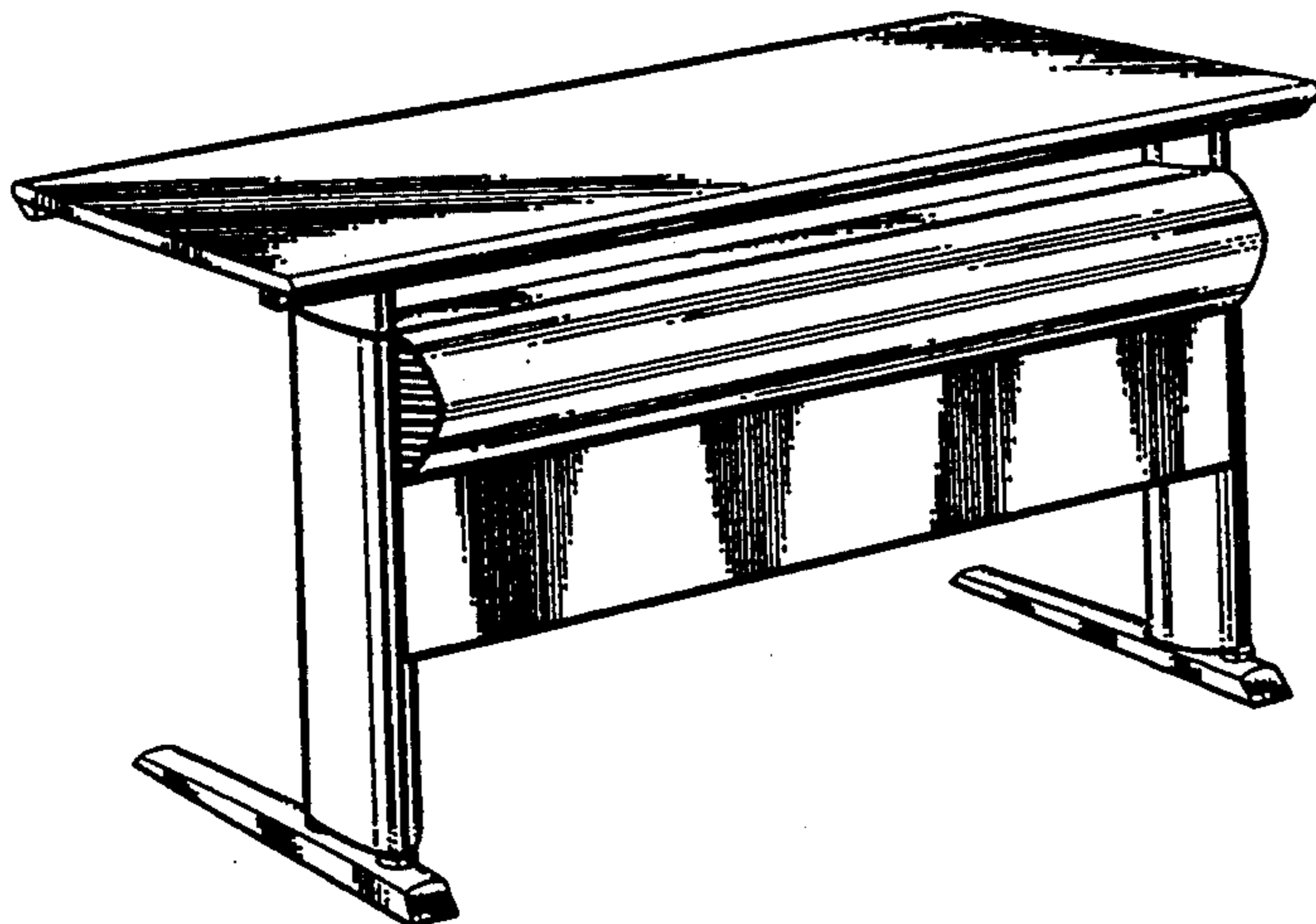


FIG. 1.

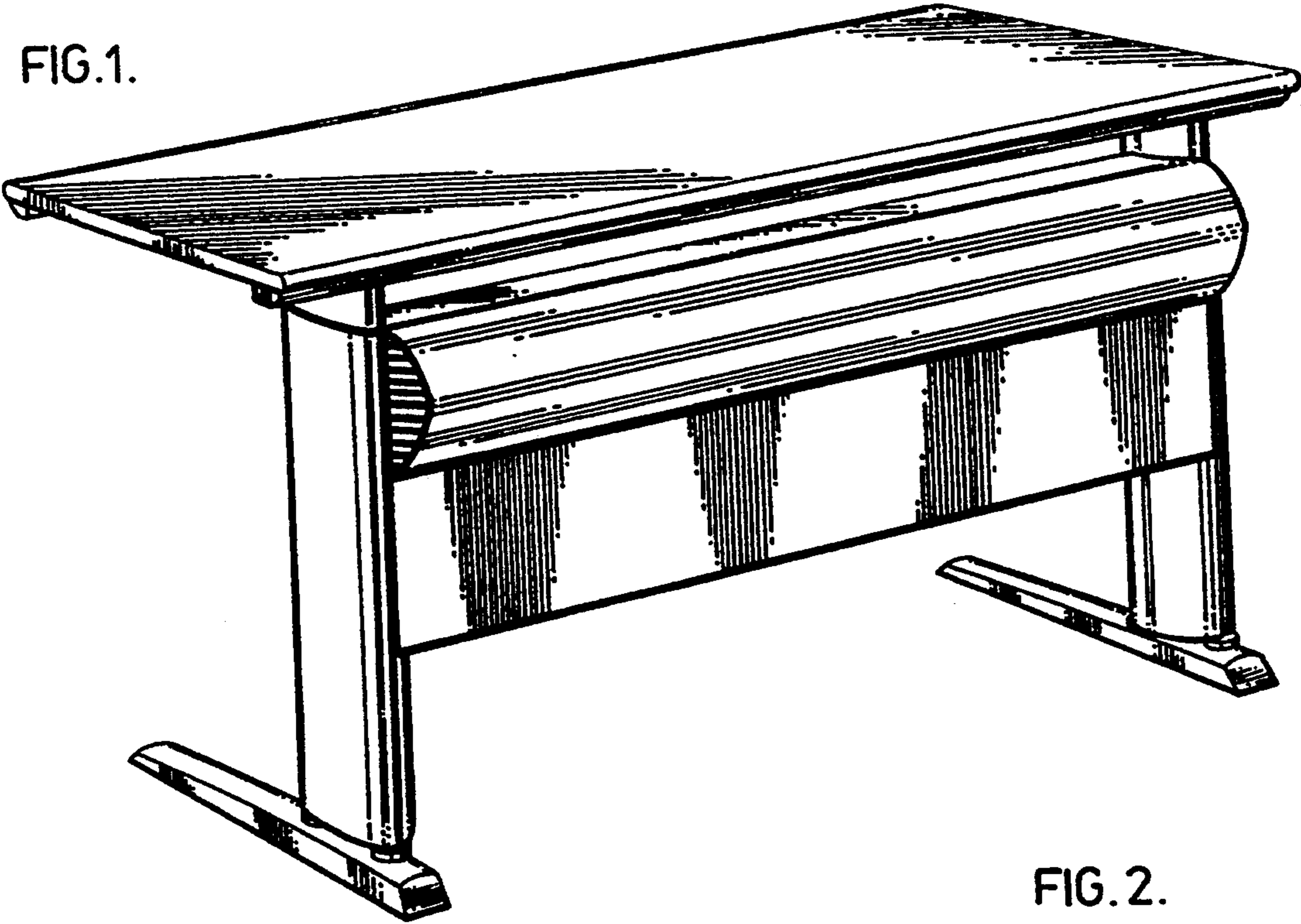


FIG. 2.

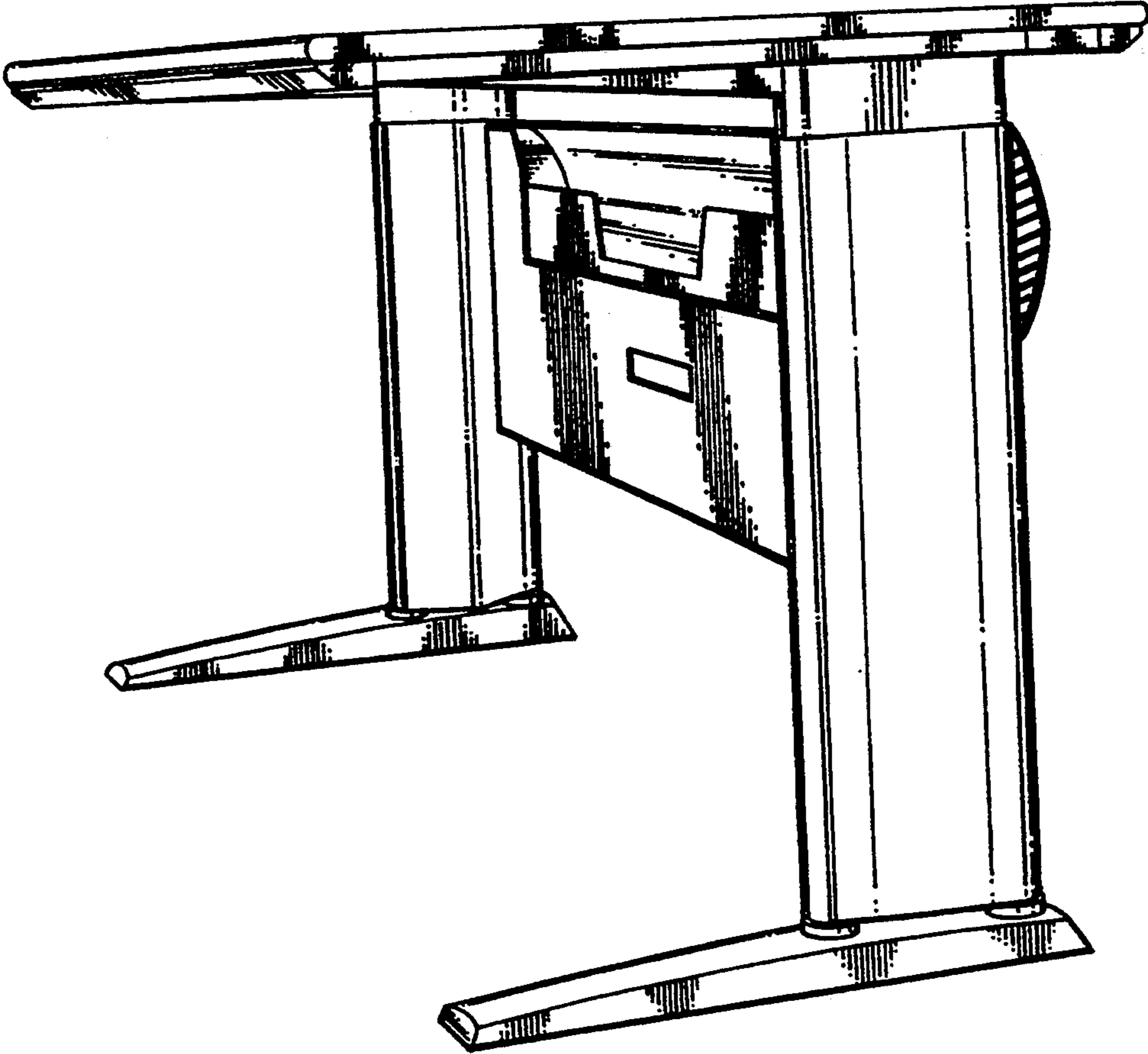


FIG. 3.

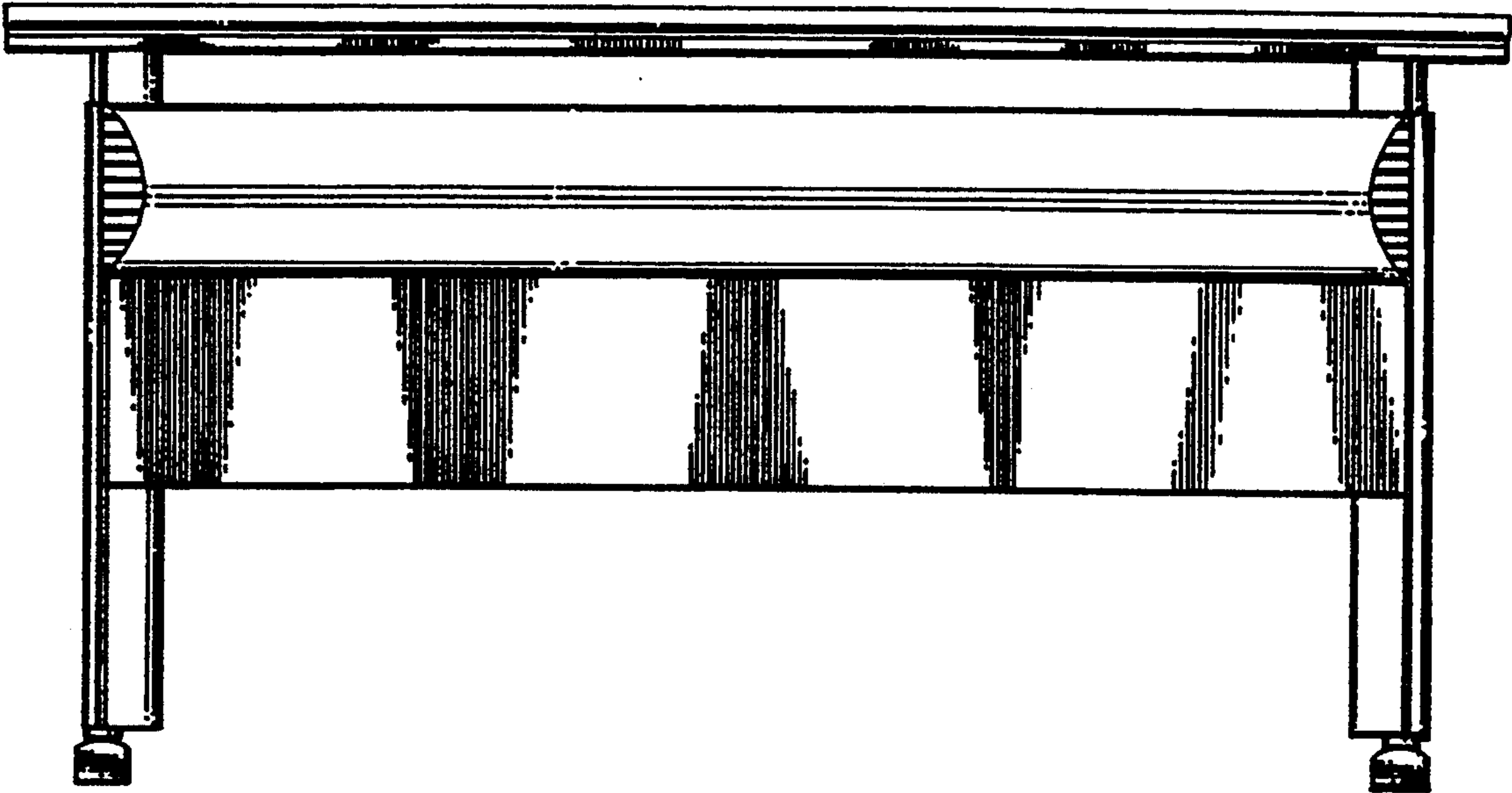


FIG. 4.

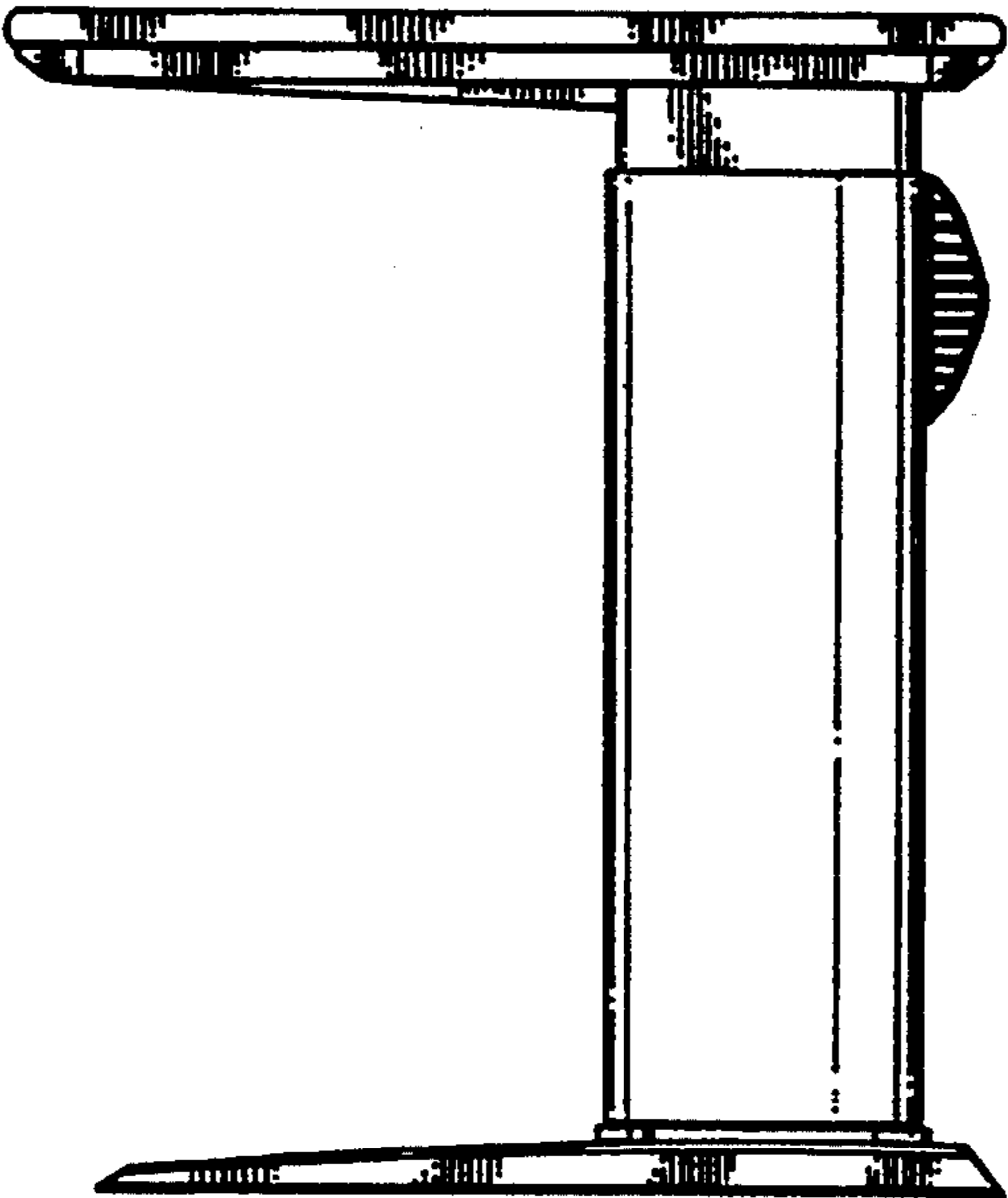


FIG. 5.

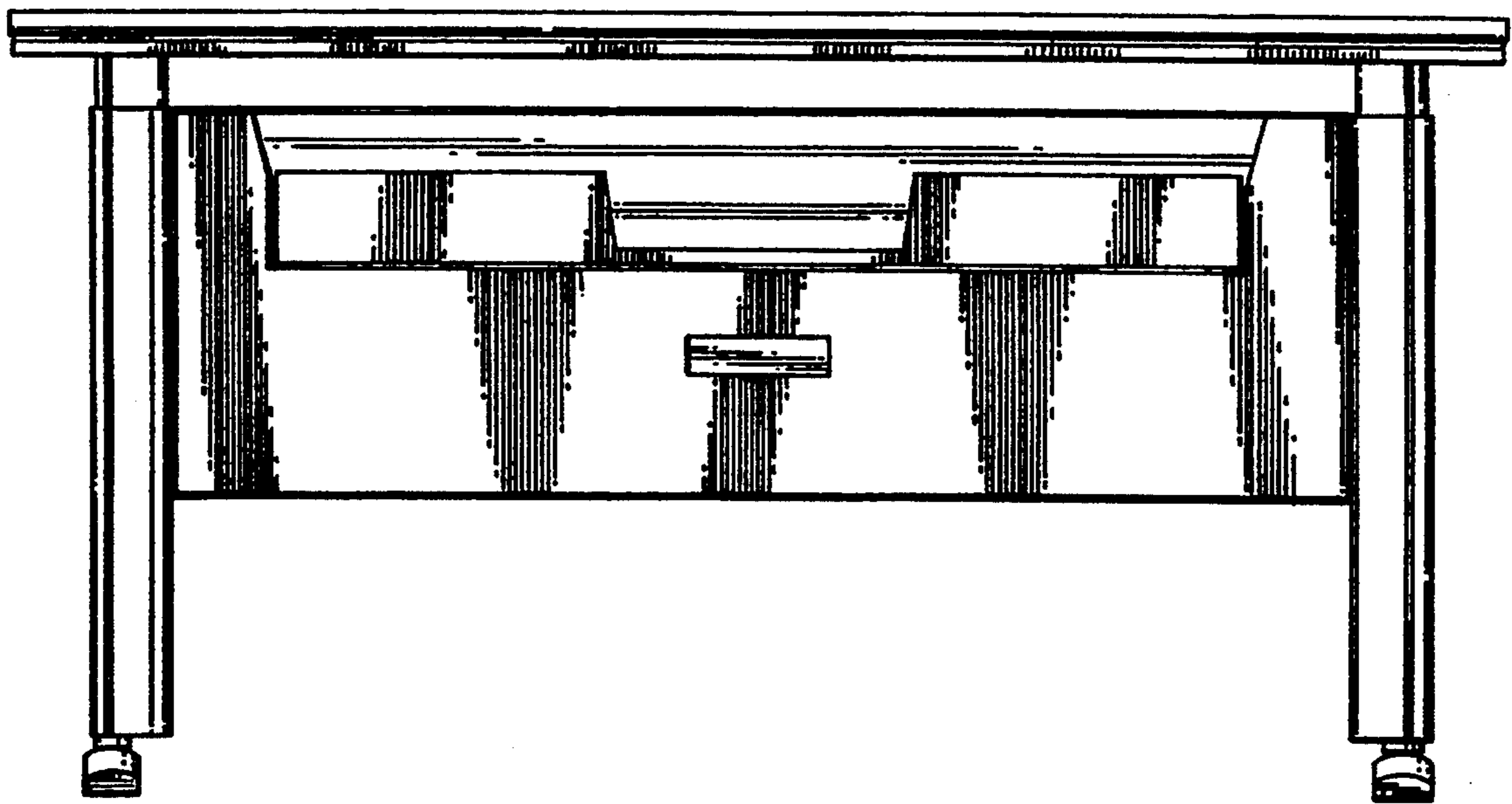


FIG. 6.

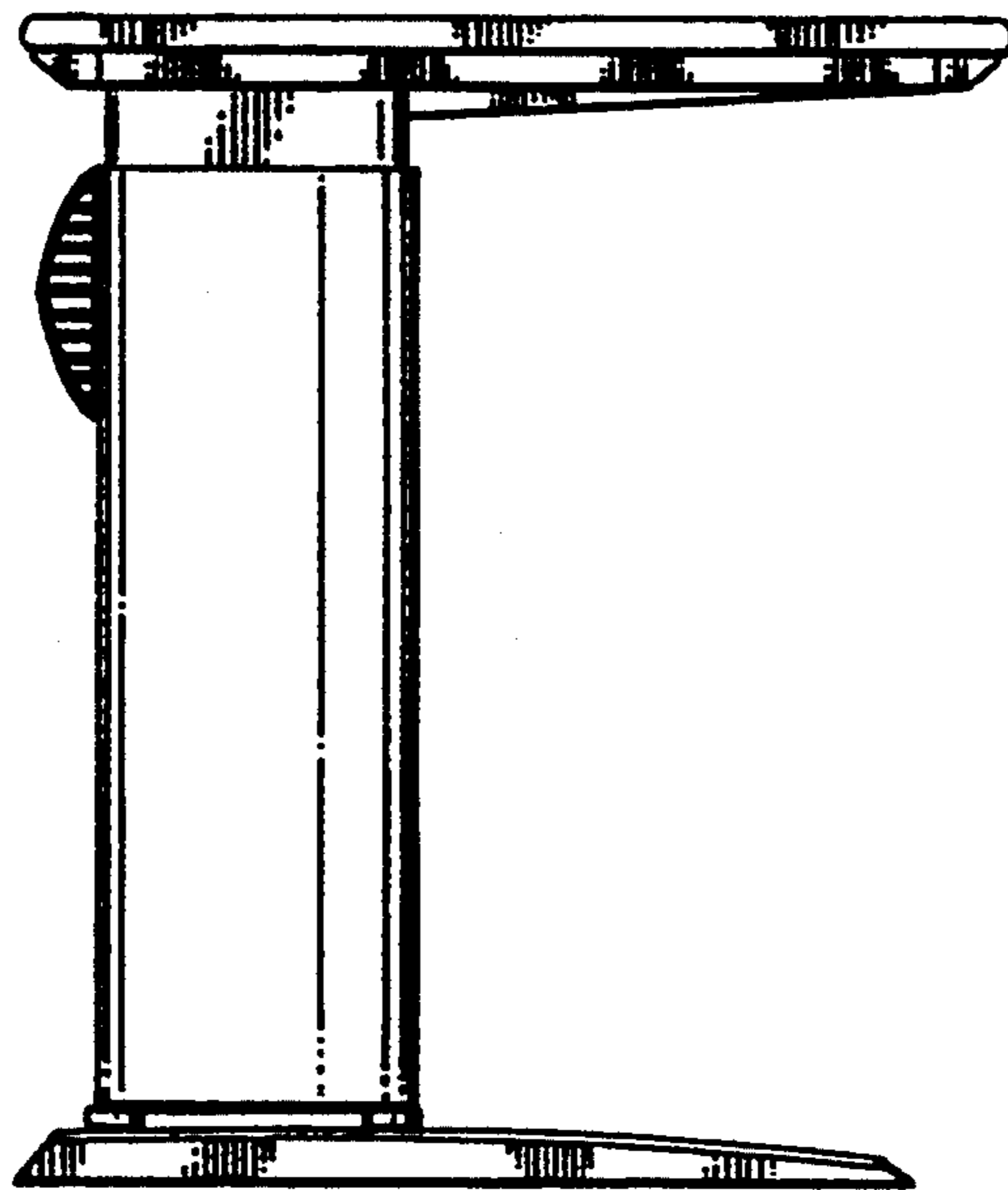


FIG. 7.

