



US00D352836S

United States Patent [19]

[11] Patent Number: **Des. 352,836**

Muller

[45] Date of Patent: **** Nov. 29, 1994**

[54] **CHAIR**

[75] Inventor: **Vlad Muller, Toronto, Canada**

[73] Assignee: **Global Upholstery Limited, Partnership, Downsview, Canada**

[**] Term: **14 Years**

[21] Appl. No.: **766,144**

[22] Filed: **Sep. 27, 1991**

[52] U.S. Cl. **D6/366**

[58] Field of Search **D6/334, 365, 366, 374, D6/375, 379, 498, 500, 501, 502; 297/411**

D. 282,510 2/1986 Diffrient D6/366
D. 291,160 8/1987 Biscoe D6/366
D. 312,536 12/1990 Muller-Deisig et al. D6/366

OTHER PUBLICATIONS

Interiors, Sep. 1980, p. 83, Gunlocke chair at top right.
Domus, Jan. 1981, inside front cover, Olivetti chair at top right.

Primary Examiner—Alan P. Douglas
Assistant Examiner—Gary D. Watson
Attorney, Agent, or Firm—McFadden, Fincham

[57] CLAIM

The ornamental design for a chair, as shown.

[56] References Cited

U.S. PATENT DOCUMENTS

D. 236,173	8/1975	Ruf	D6/366
D. 253,205	10/1979	Buhk	D6/366
D. 274,769	7/1984	Klier	D6/366
D. 274,869	7/1984	Aronowitz et al.	D6/366
D. 278,391	4/1985	Platner	D6/366
D. 278,869	5/1985	Bohl	D6/366

DESCRIPTION

FIG. 1 is a left-front perspective view of a chair showing my new design;
FIG. 2 is a left side elevational view;
FIG. 3 is a right side elevational view;
FIG. 4 is a front elevational view;
FIG. 5 is a rear elevational view; and,
FIG. 6 is a top plan view thereof.

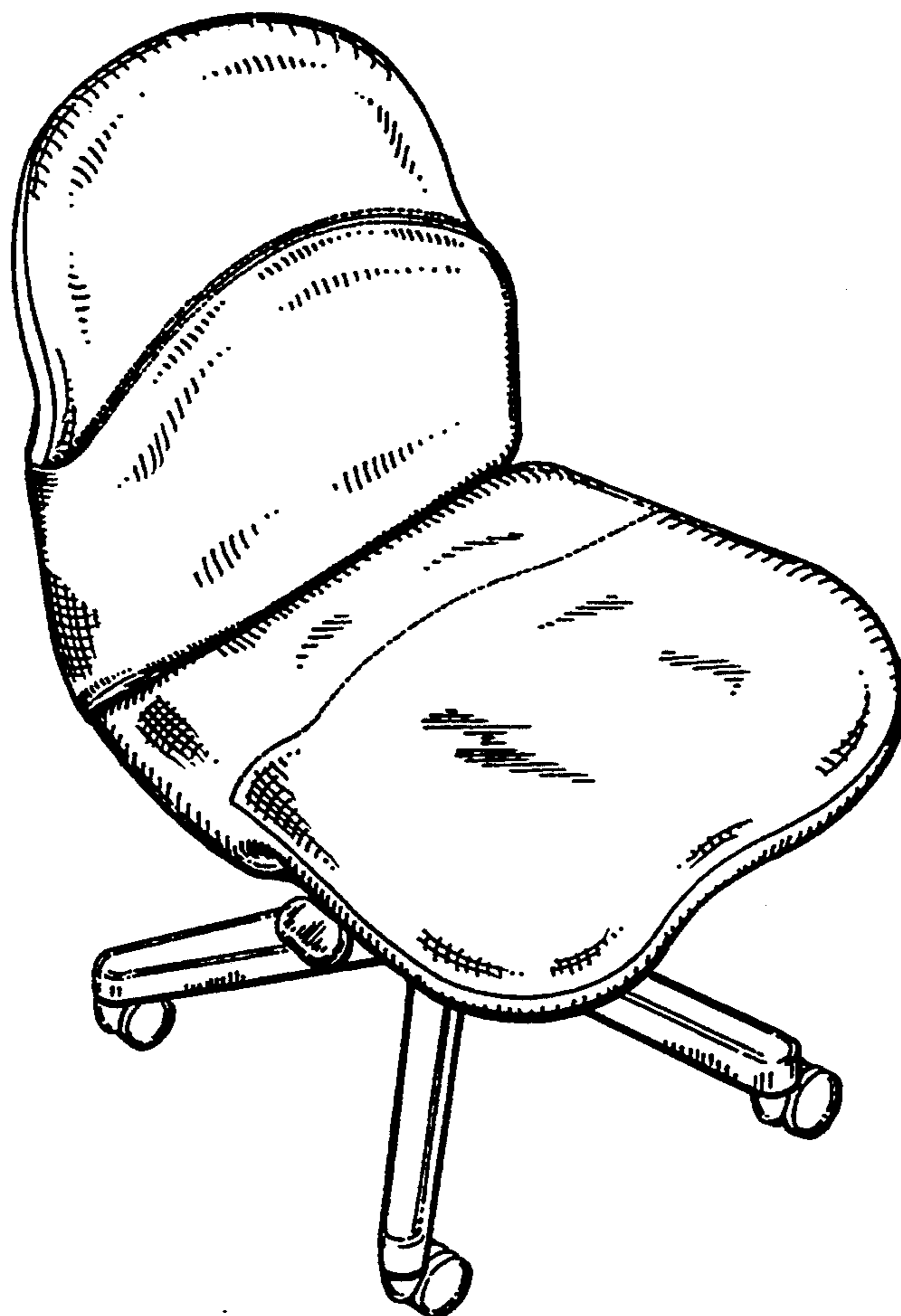




FIG. 1.

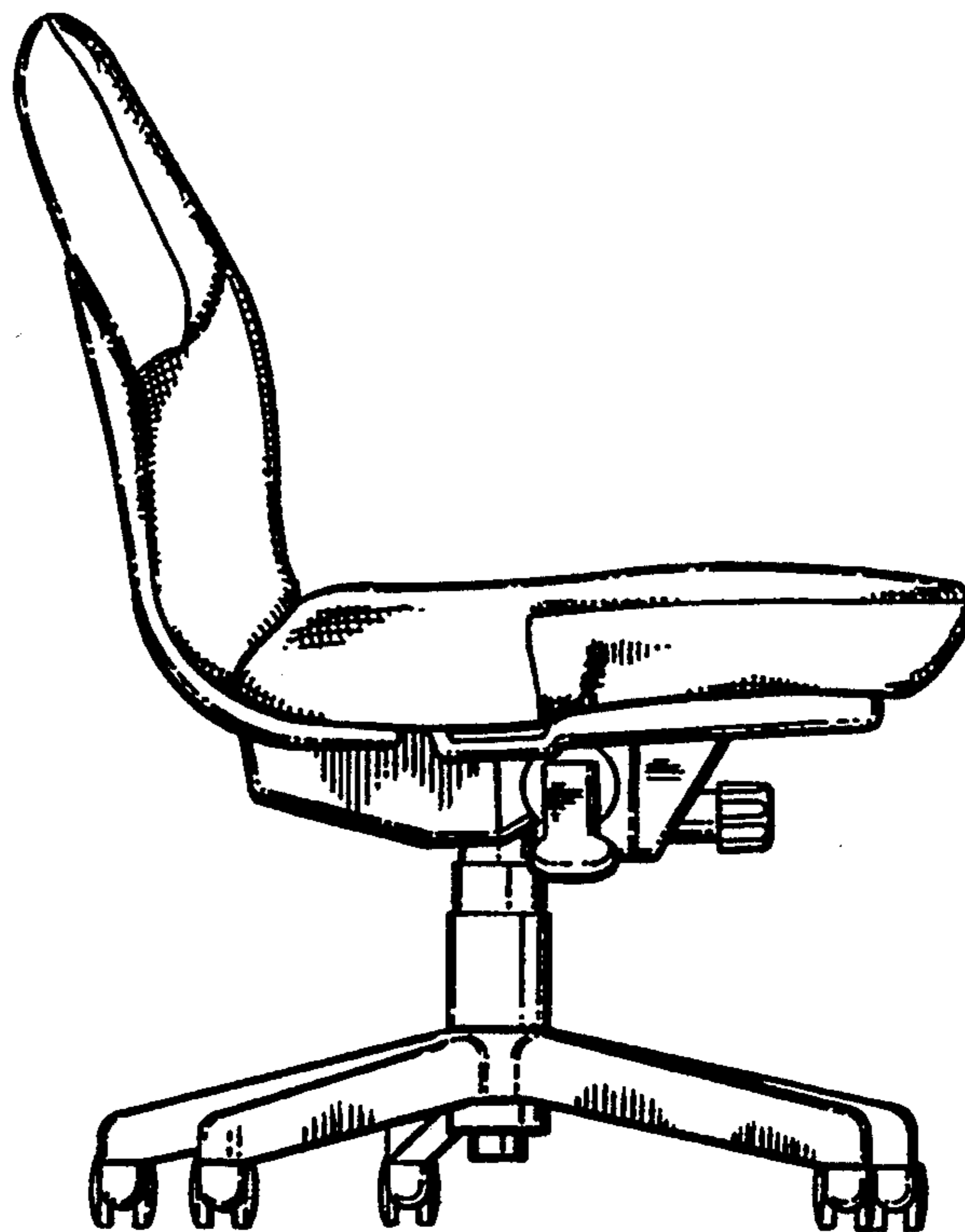


FIG. 2.

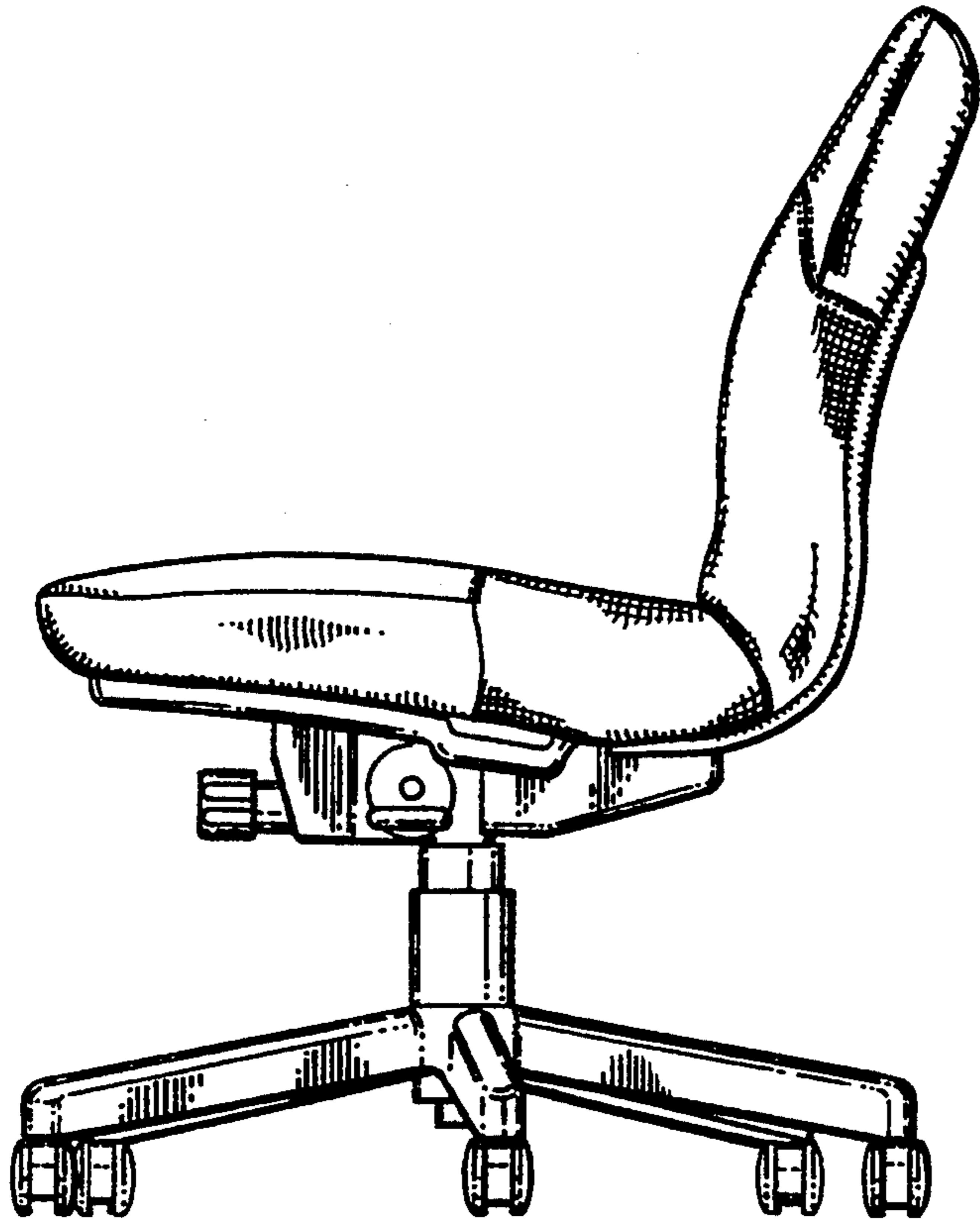


FIG. 3.

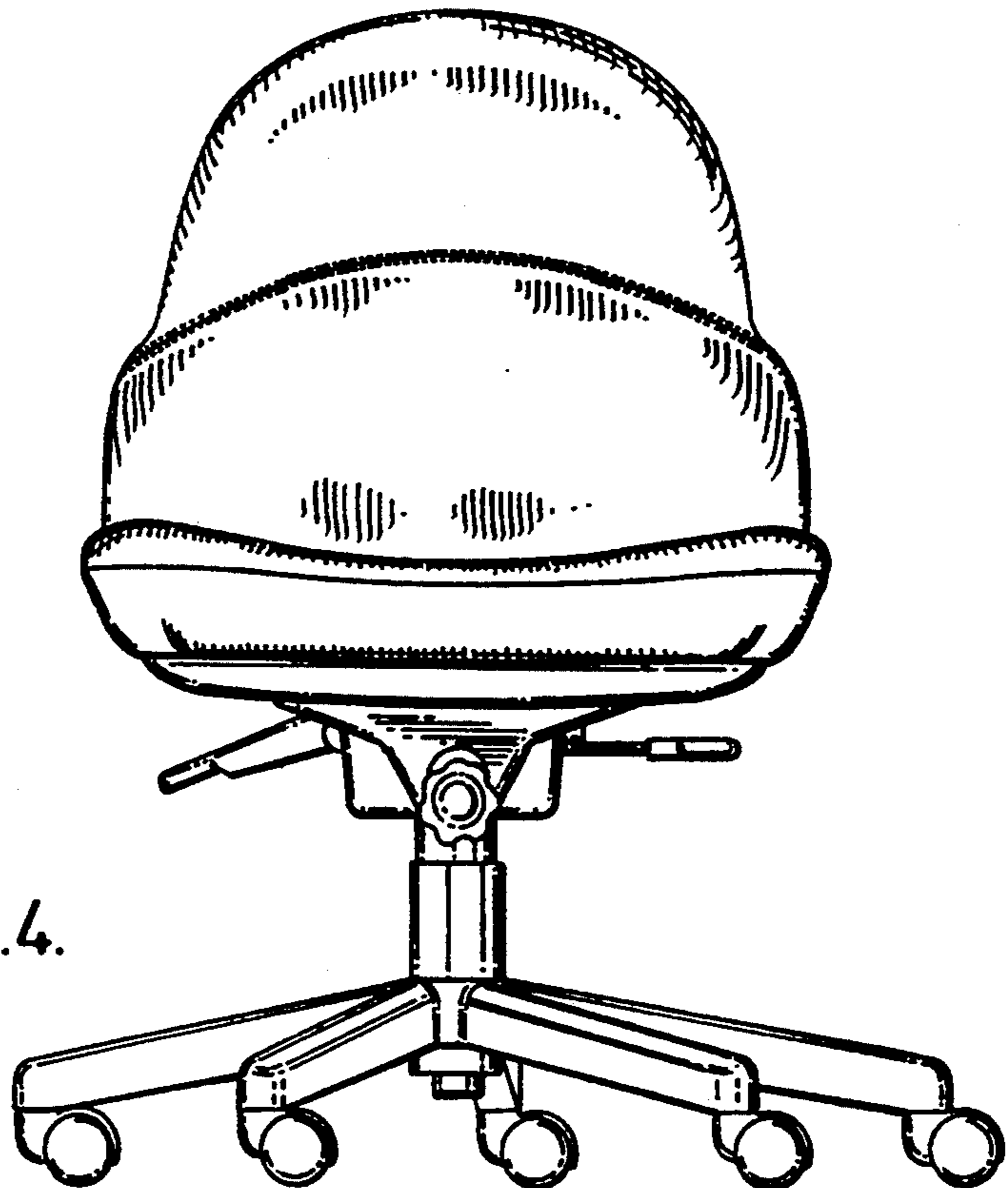


FIG. 4.

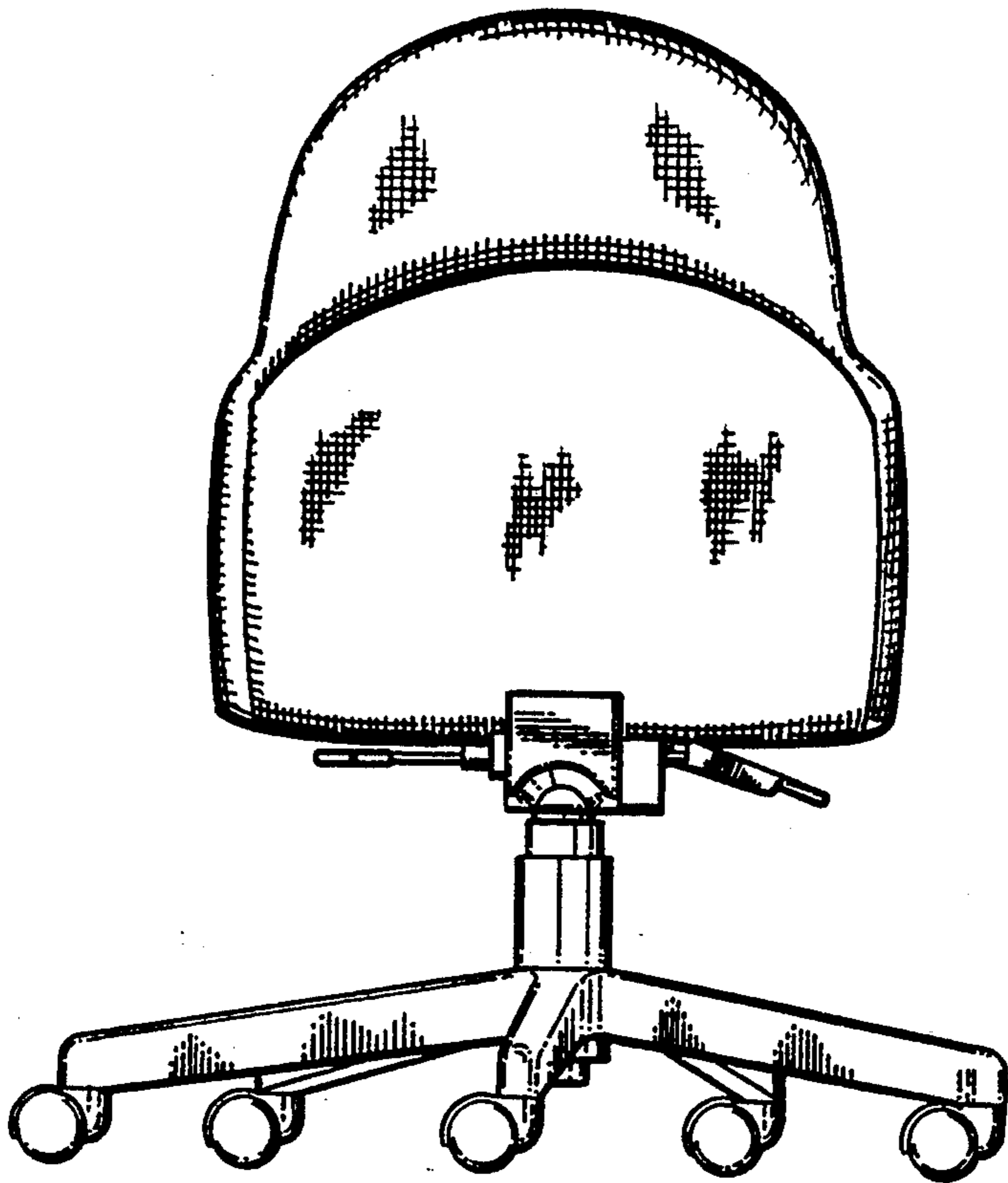


FIG. 5.

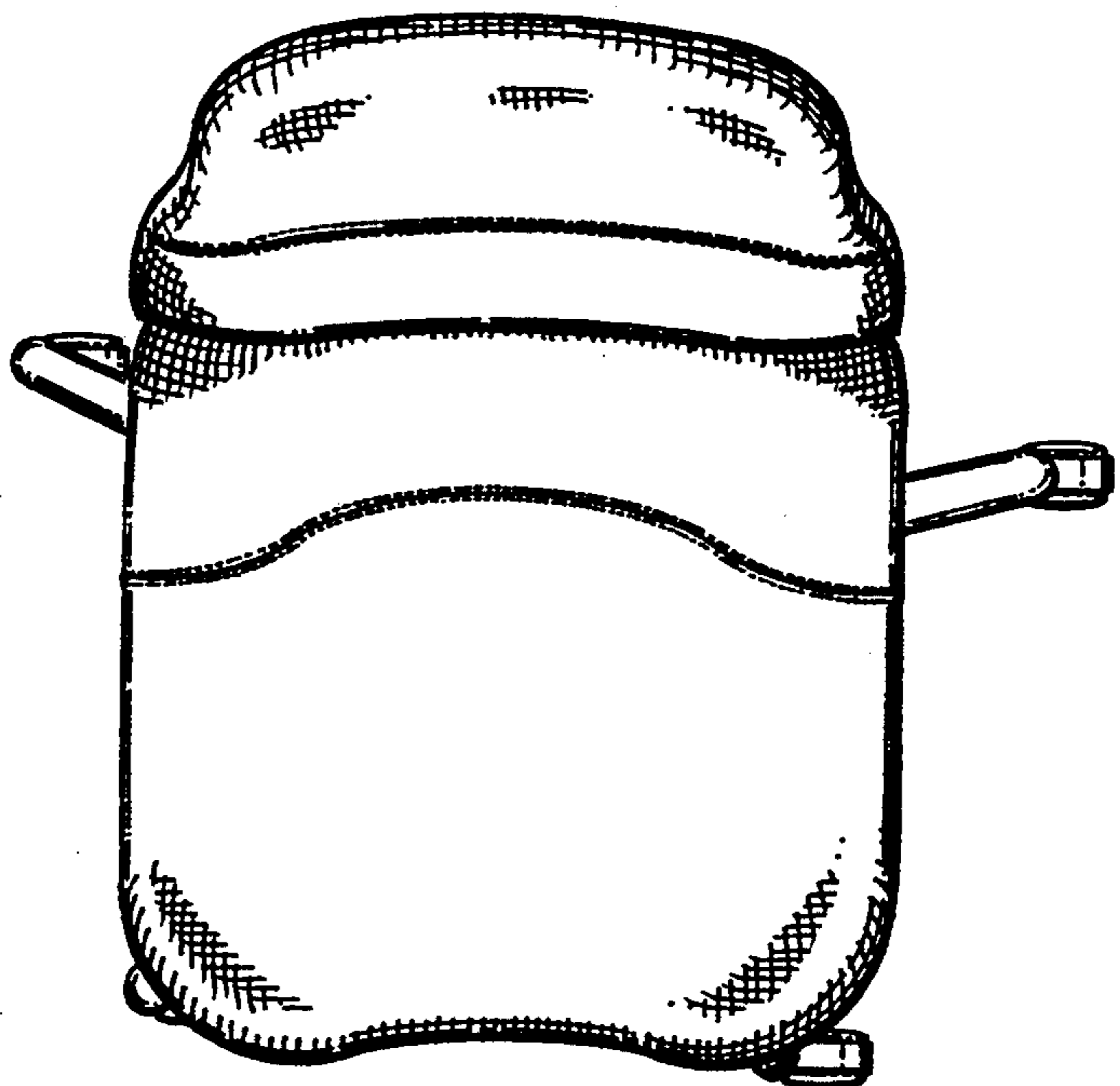


FIG. 6.