



US00D352834S

United States Patent [19]

Norman

[11] Patent Number: **Des. 352,834**

[45] Date of Patent: **** Nov. 29, 1994**

[54] **GARMENT HANGER BODY**

5,020,705 6/1991 Garrison 223/85
5,082,153 1/1992 Duester et al. 223/96

[75] Inventor: **Michael D. Norman, Edison, N.J.**

Primary Examiner—B. J. Bullock

[73] Assignee: **A & E Products Group, a Division of Carlisle Plastics, Inc., Phoenix, Ariz.**

Attorney, Agent, or Firm—Stroock & Stroock & Lavan

[**] Term: **14 Years**

[57] **CLAIM**

[21] Appl. No.: **8,673**

The ornamental design for a garment hanger body, as shown and described.

[22] Filed: **May 21, 1993**

DESCRIPTION

Related U.S. Application Data

[63] Continuation-in-part of Ser. No. 732,328, Jul. 16, 1991, Pat. No. Des. 337,893.

[52] U.S. Cl. **D6/326; D6/328**

[58] Field of Search **D6/326, 328; 223/85, 223/91, 93, 95, 96; 24/507, 511; 211/113**

FIG. 1 is a perspective view of a garment hanger body showing my new design, the clamps being shown in the open condition;

FIG. 2 is a front elevational view thereof, a hook being shown in phantom;

FIG. 3 is a top plan view thereof;

FIG. 4 is a right side elevational view thereof with the hook shown in phantom, the left side being a mirror image thereof;

FIG. 5 is a rear elevational view thereof with the hook being shown in phantom;

FIG. 6 is a bottom plan view thereof; and,

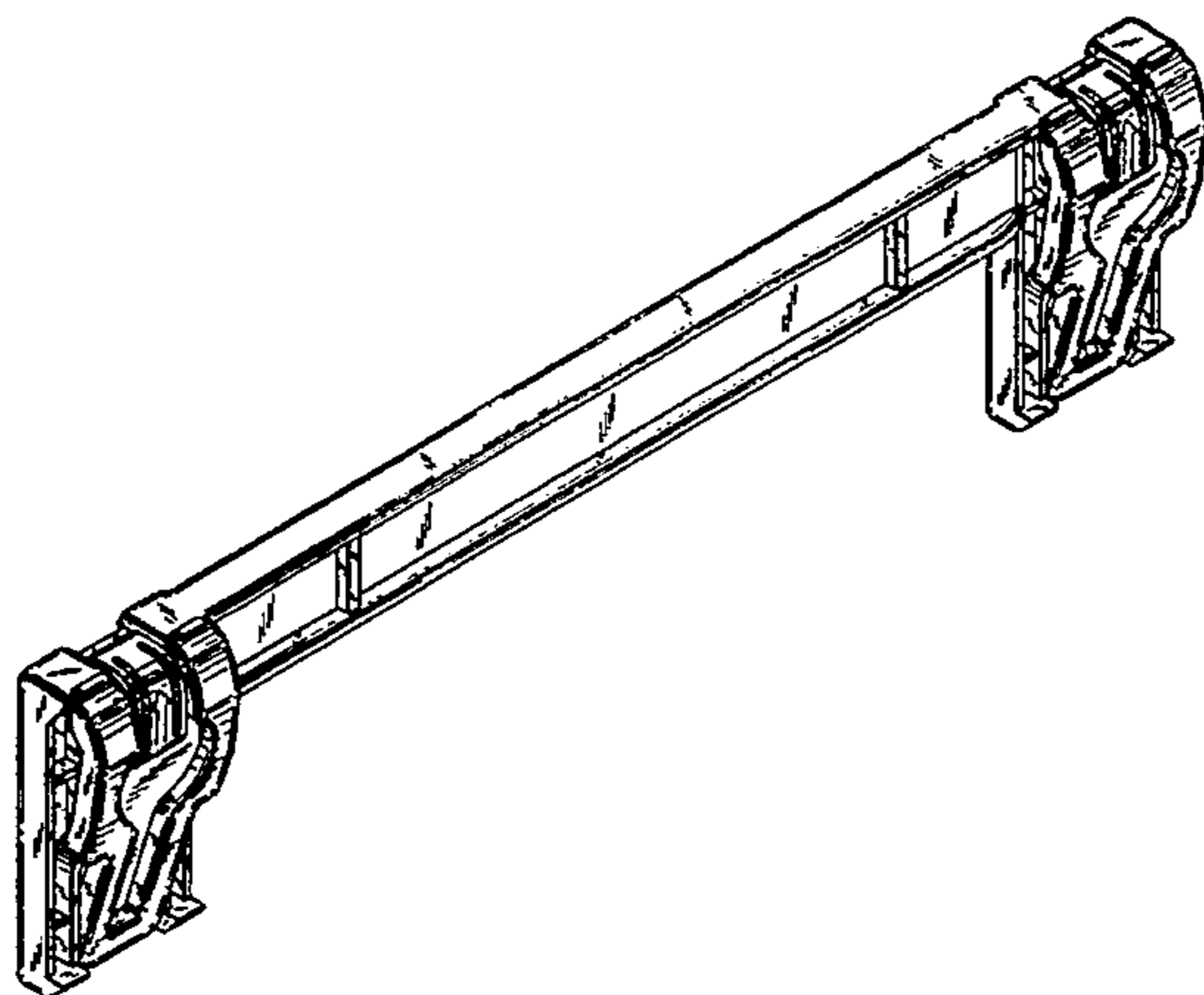
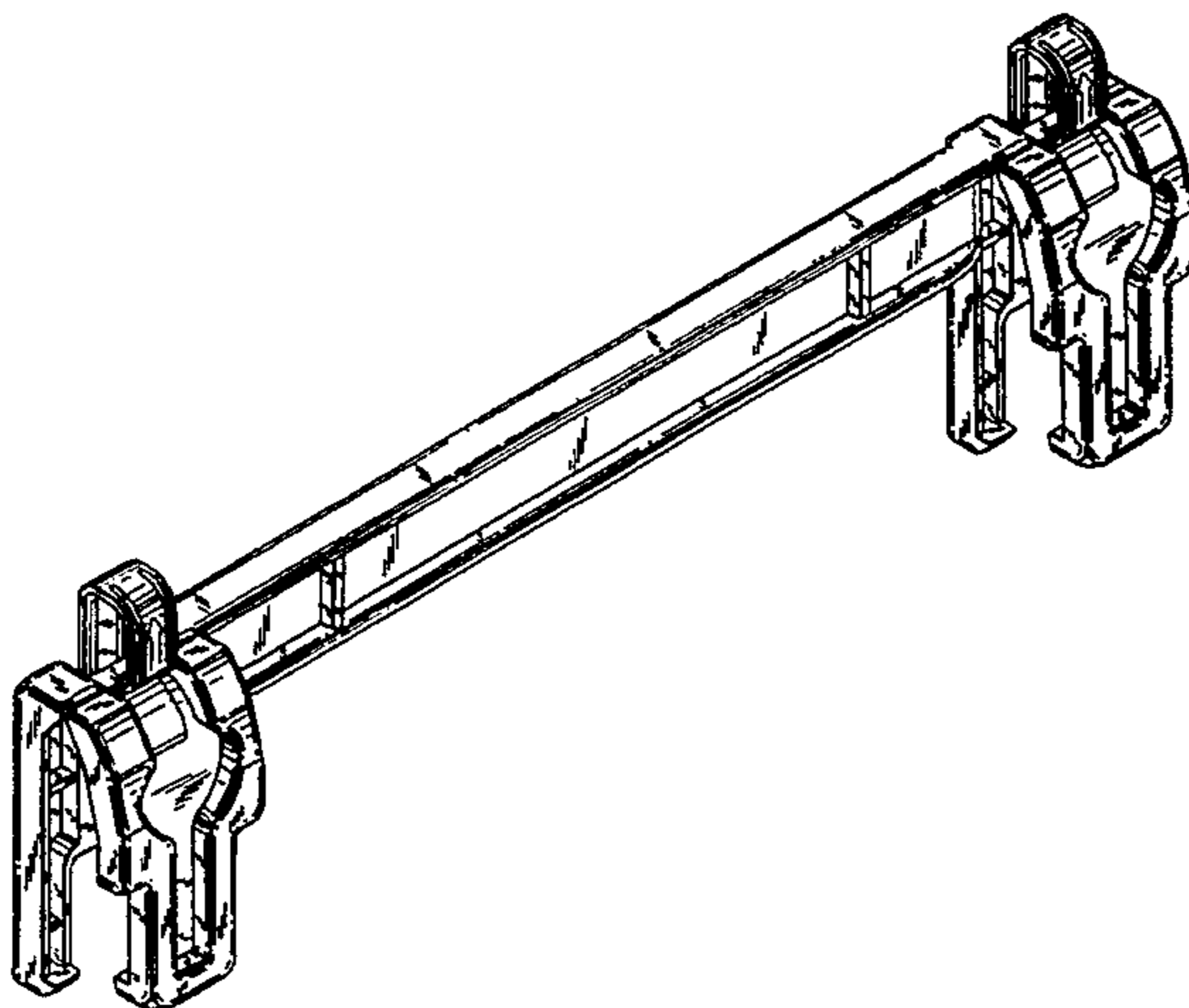
FIG. 7 is a perspective view thereof, the clamps being shown in the closed condition.

The hook which is shown in phantom in FIGS. 2, 4 and 5 is for illustrative purposes only and forms no part of the claimed design.

[56] **References Cited**

U.S. PATENT DOCUMENTS

D. 243,138	1/1977	Coon	D6/326
D. 271,649	12/1983	Batts	D6/326
D. 298,387	11/1988	Duester	D6/328
D. 299,086	12/1988	Wilson	D6/326
D. 301,808	6/1989	Marshall	D6/326
4,826,056	5/1989	Duester et al.	223/96



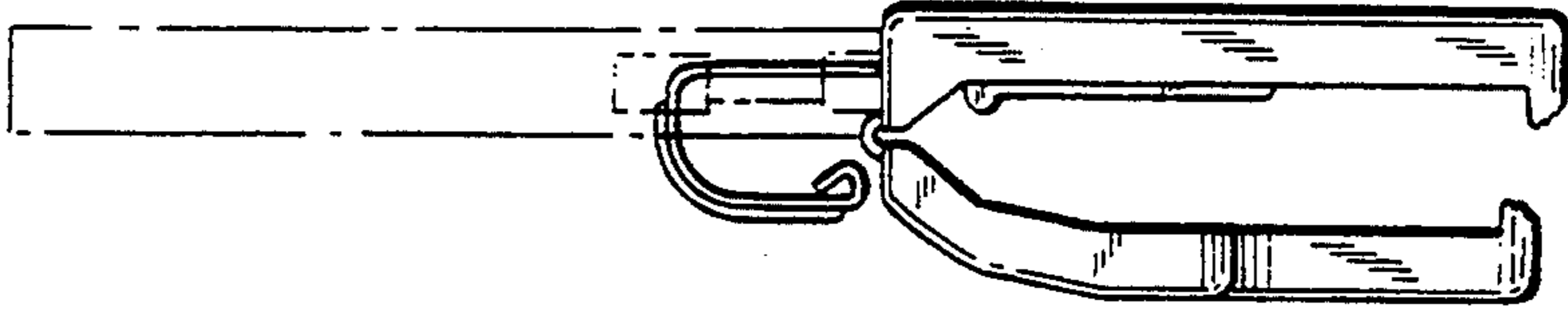


FIG. 4

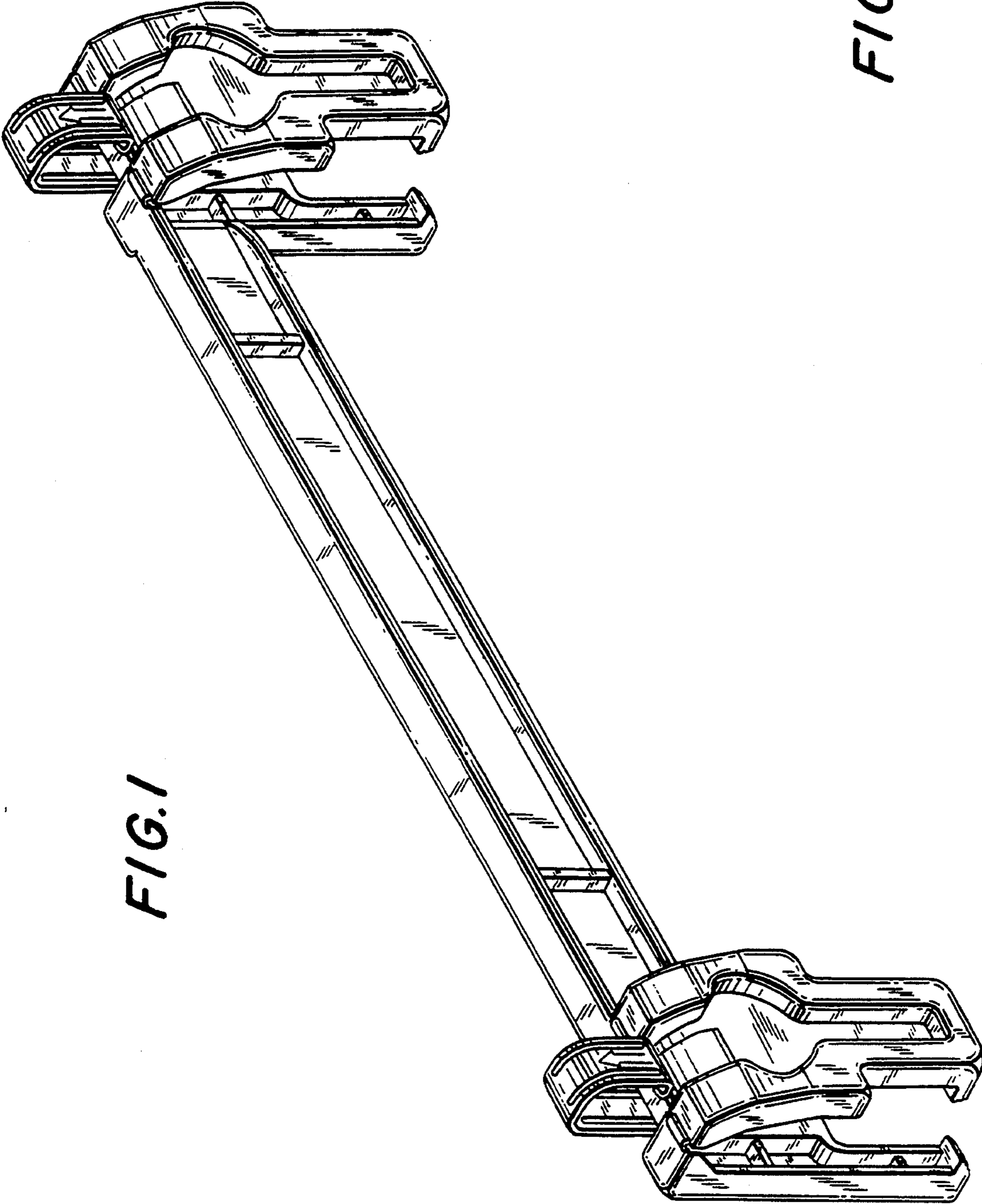
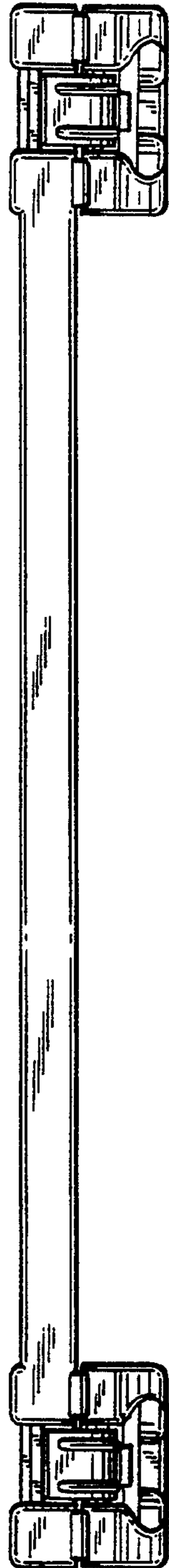
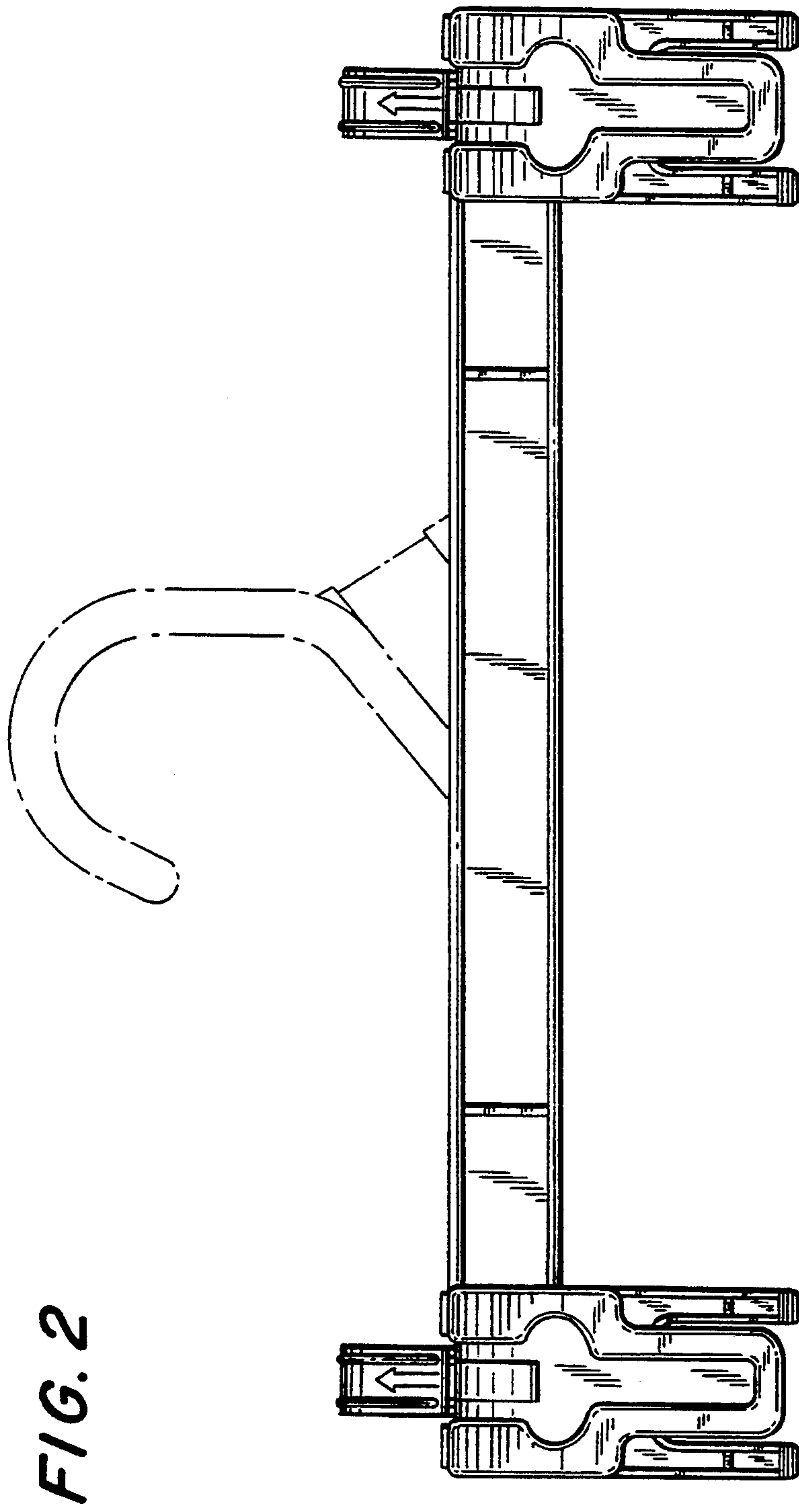
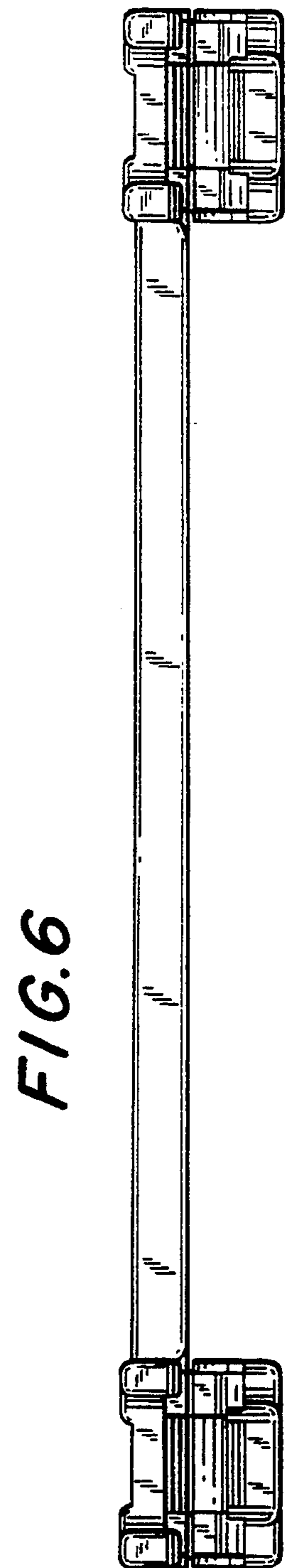
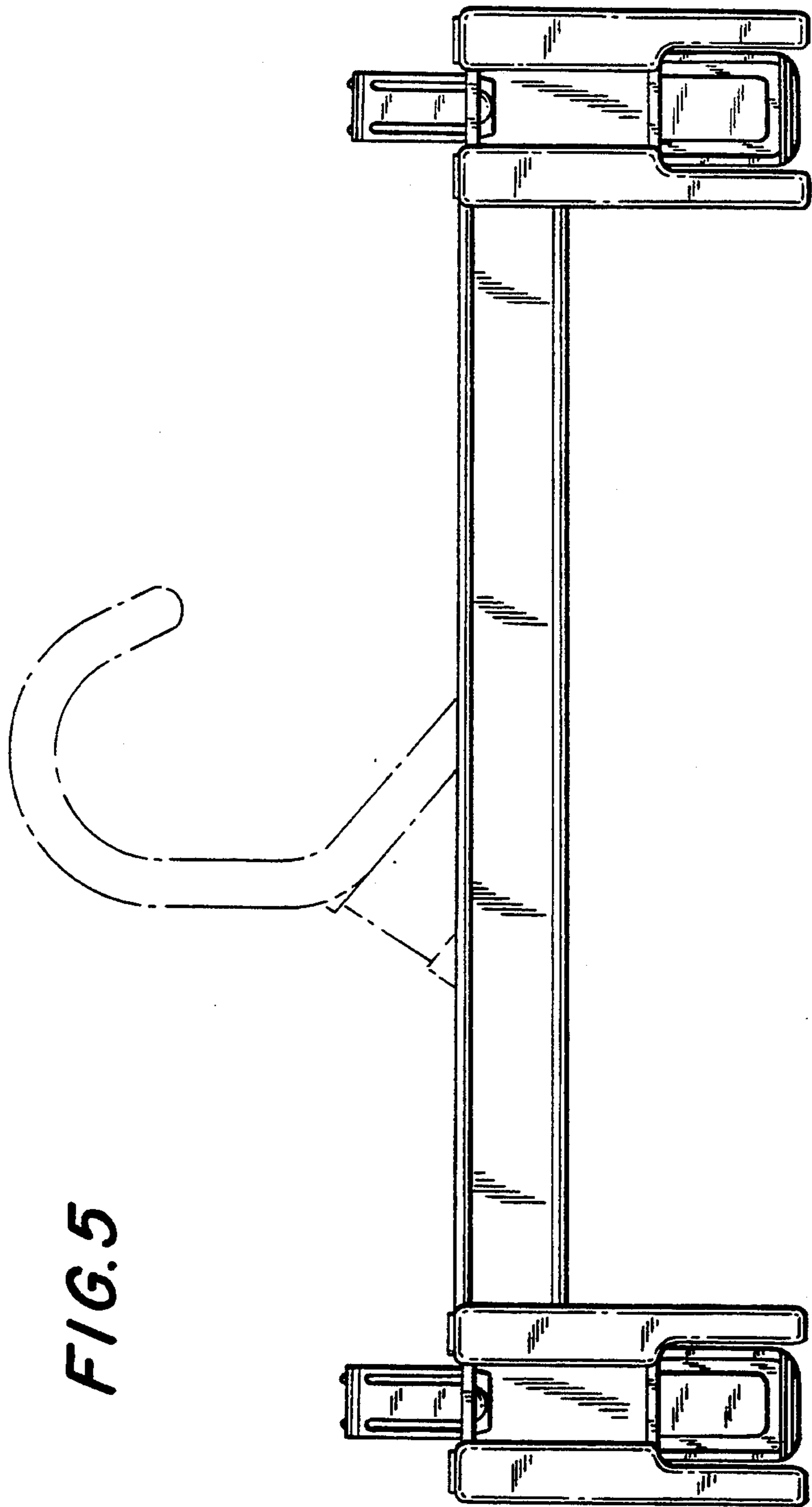


FIG. 1





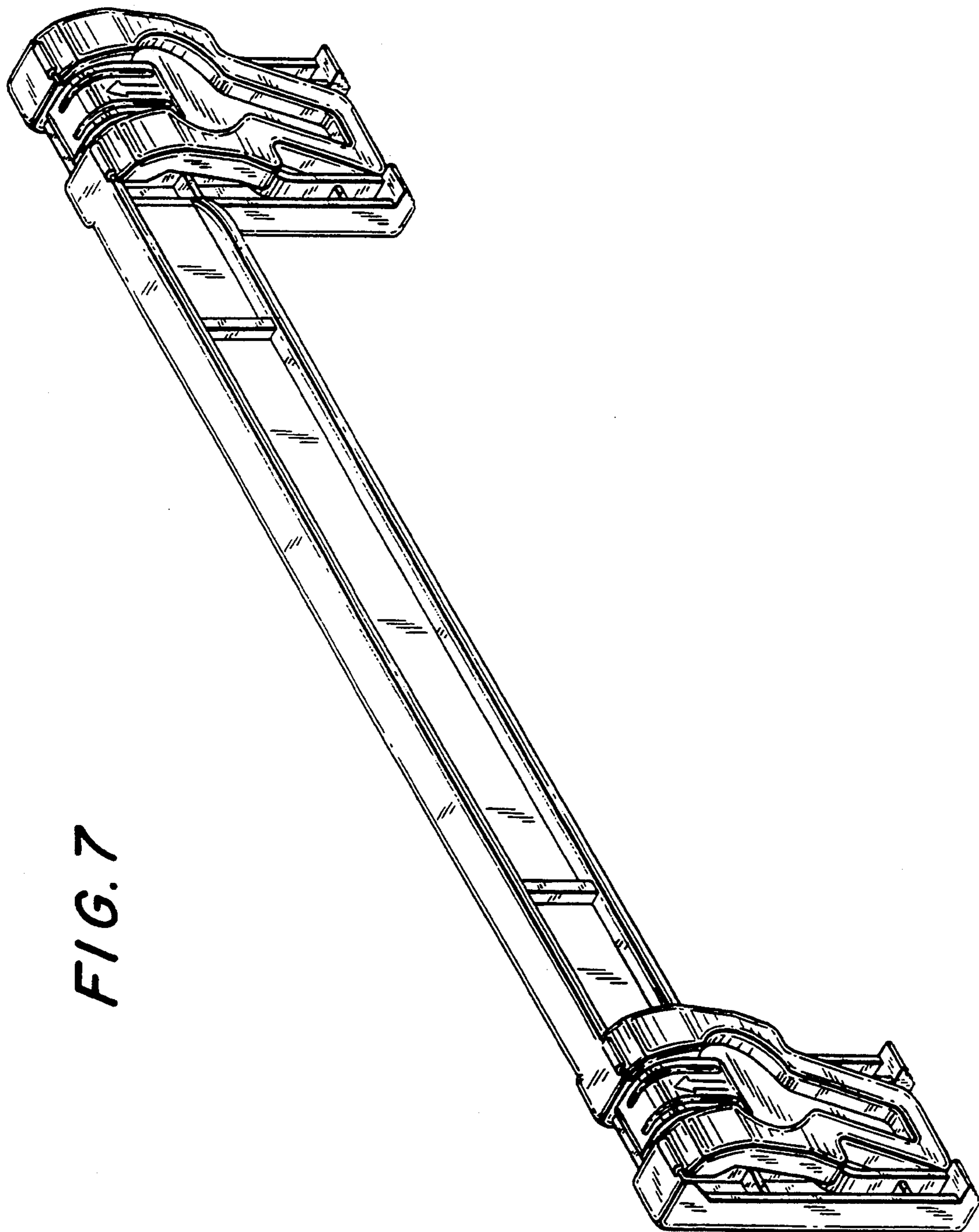


FIG. 7