



US00D352827S

United States Patent [19]
Schildkraut

[11] **Patent Number: Des. 352,827**

[45] **Date of Patent: ** Nov. 29, 1994**

[54] **DRINK HOLDER**

[75] **Inventor: Micki Schildkraut, Kings Point, N.Y.**

[73] **Assignee: B & B Giftware, Inc., Mt. Vernon, N.Y.**

[**] **Term: 14 Years**

[21] **Appl. No.: 11,921**

[22] **Filed: Aug. 18, 1993**

[52] **U.S. Cl. D3/283; D7/607**

[58] **Field of Search D3/273, 229, 276, 283, D3/287, 289, 301; D7/605-608, 619; 62/457.1, 457.5, 457.7, 372; 383/97, 109, 110**

[56] **References Cited**

U.S. PATENT DOCUMENTS

D. 243,637 3/1977 Rabinowitz D7/607

D. 247,392 2/1978 Coleman D7/607 X
D. 301,086 5/1989 Hess D3/283
D. 306,800 3/1990 Yeager D3/229 X
5,007,250 4/1991 Muslelak 62/457.5 X

Primary Examiner—Terry A. Wallace
Attorney, Agent, or Firm—Stanley J. Yavner

[57] **CLAIM**

The ornamental design for a drink holder, as shown and described.

DESCRIPTION

FIG. 1 is a front, top and left side isometric view of the drink holder, embodying my new design;
FIG. 2 is a front elevational view thereof;
FIG. 3 is a right side elevational view thereof;
FIG. 4 is a top plan view thereof;
FIG. 5 is a rear elevational view thereof; and,
FIG. 6 is a bottom plan view thereof.

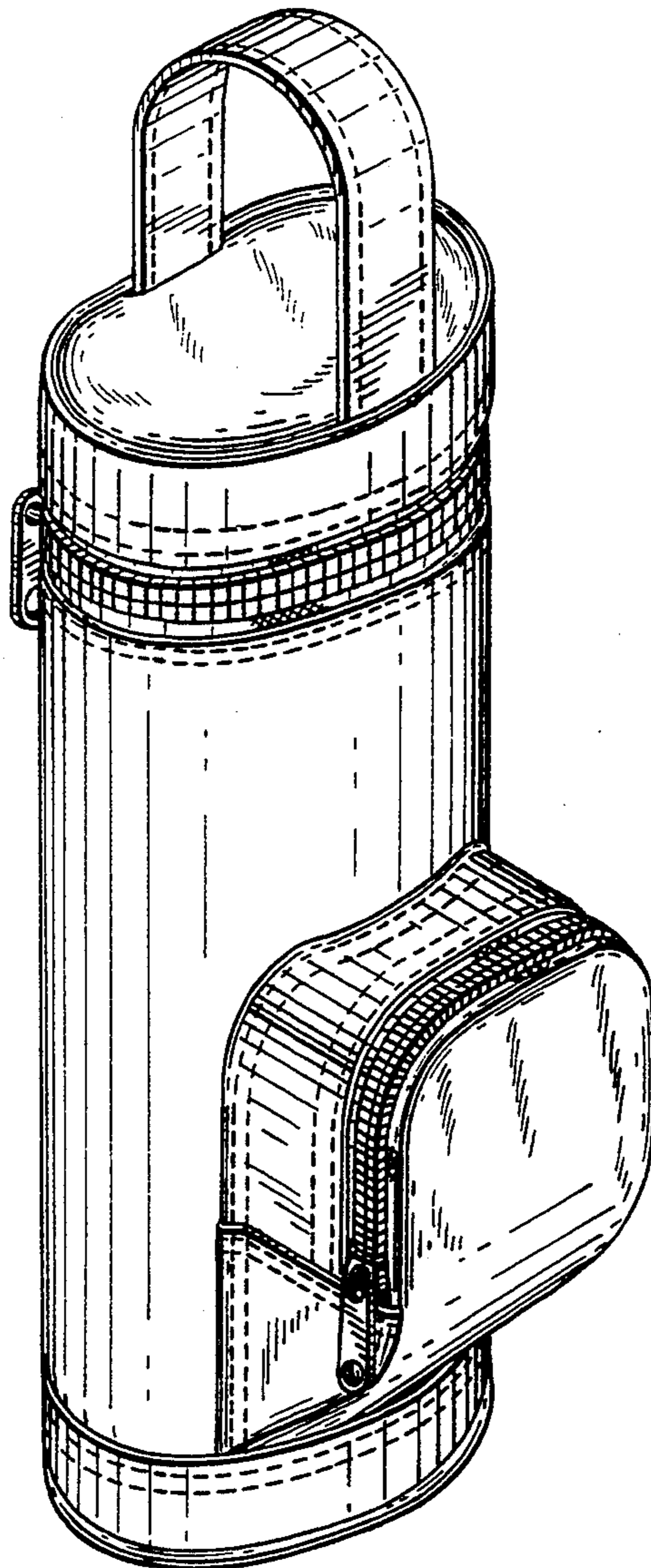


FIG. 1

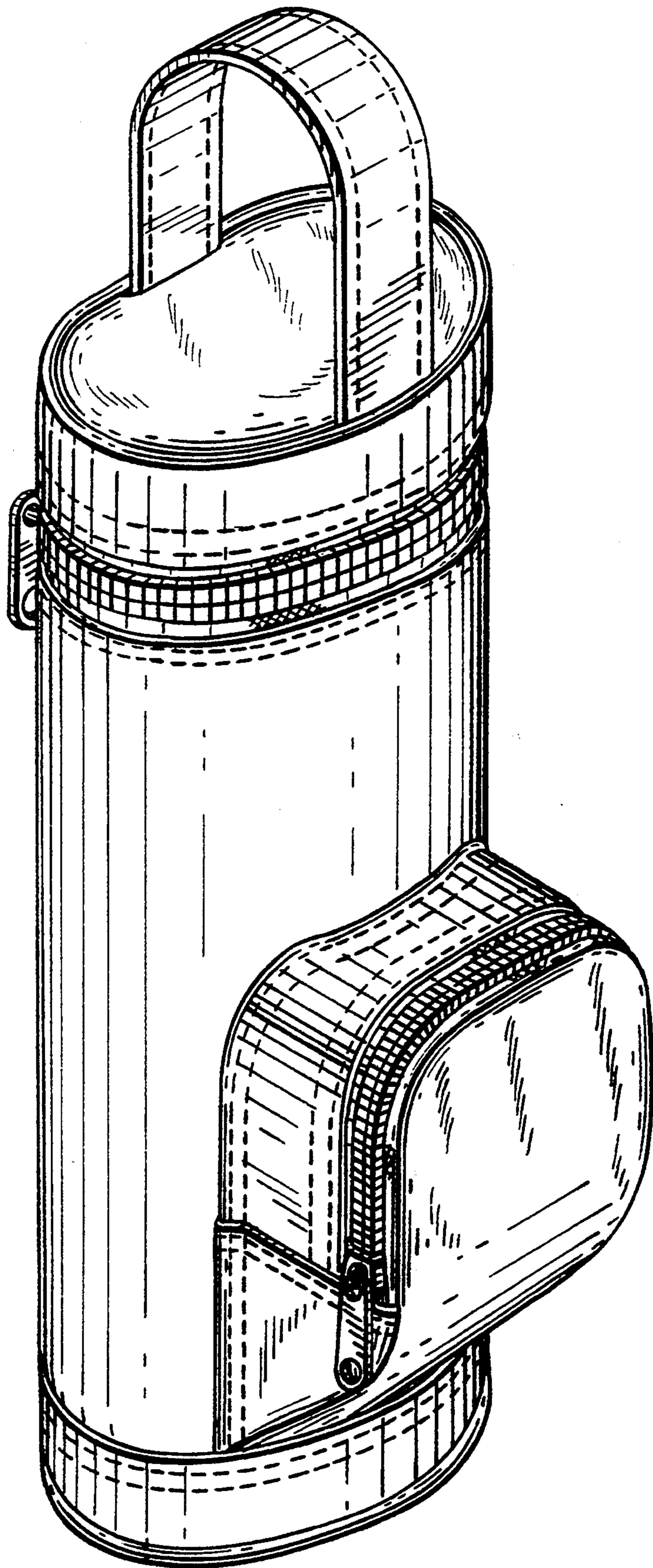


FIG. 2

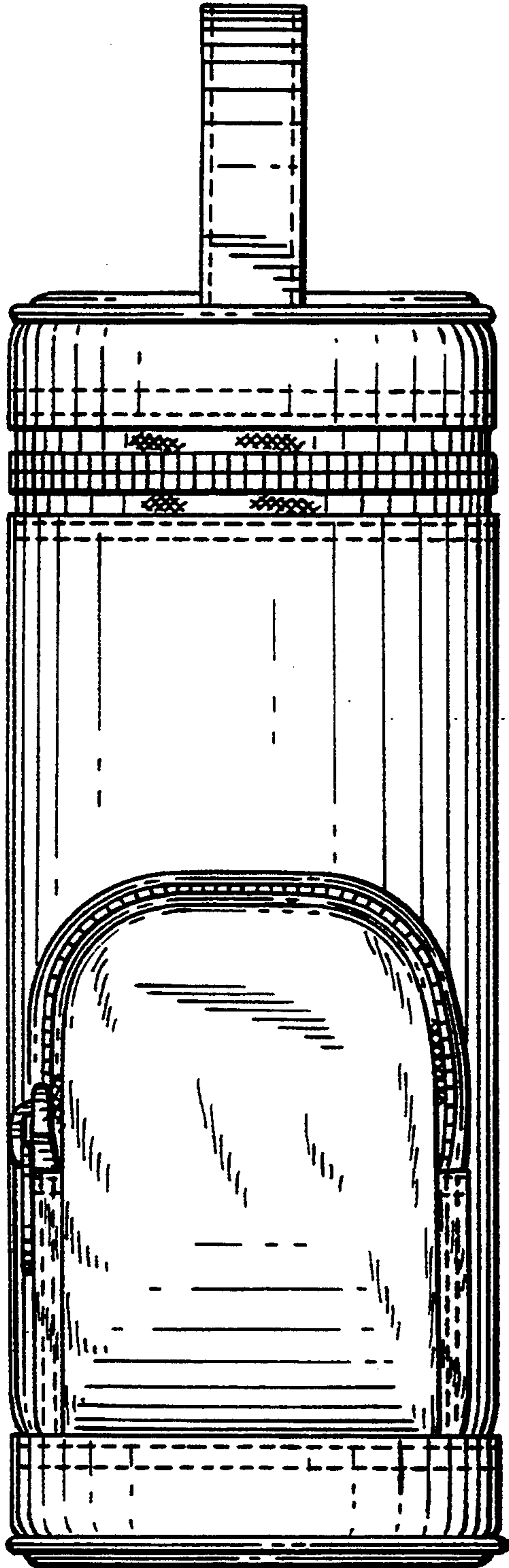


FIG. 3

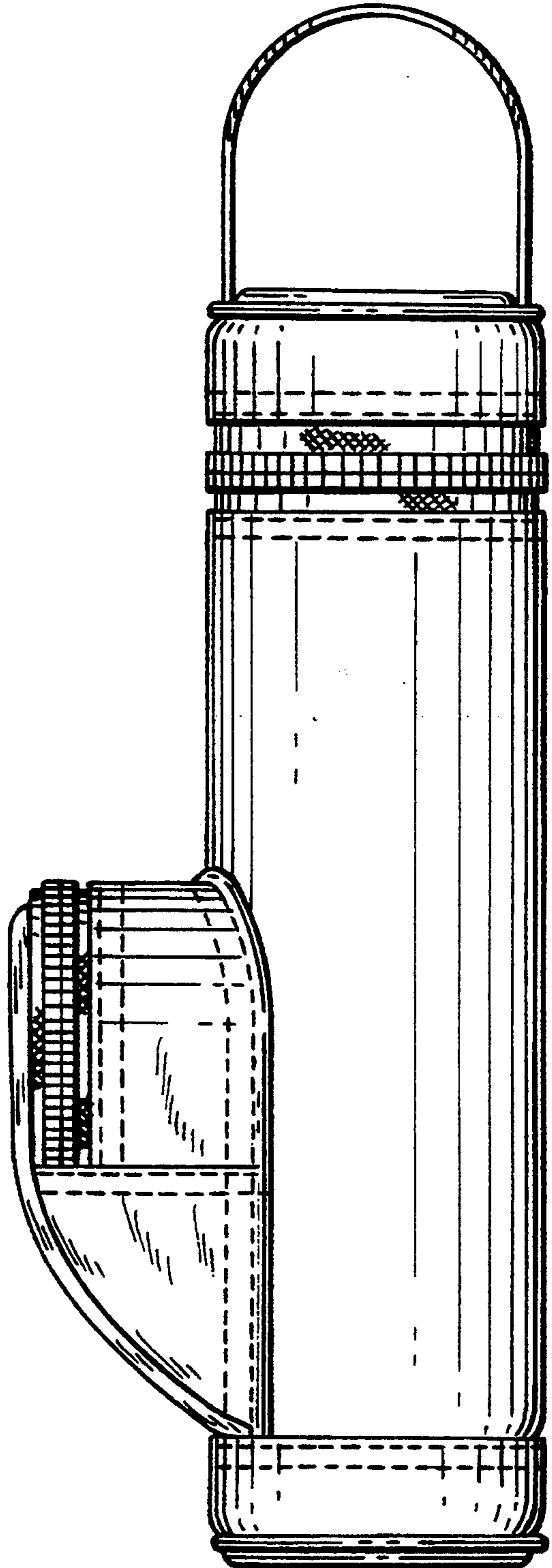


FIG. 4

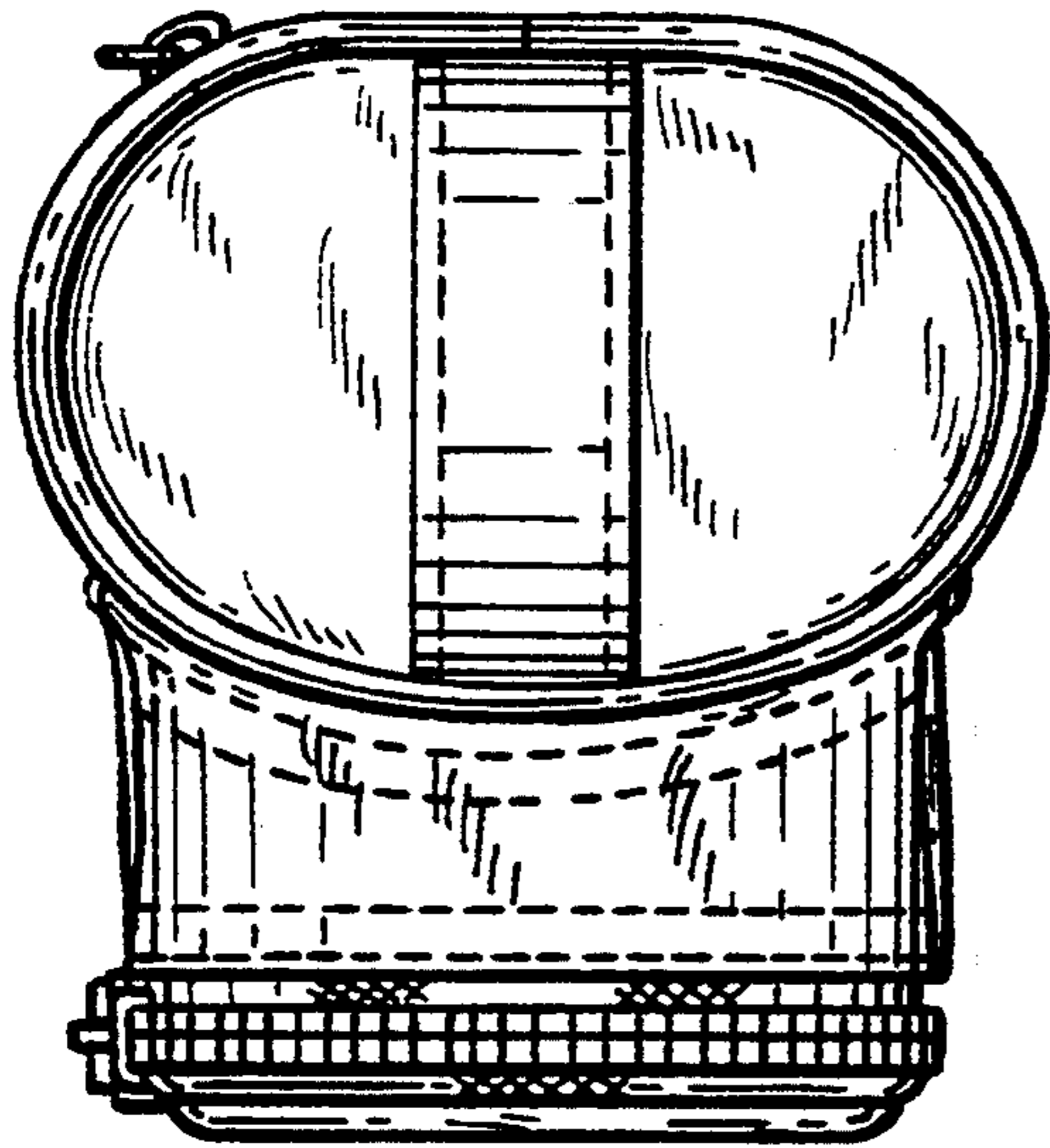


FIG. 5

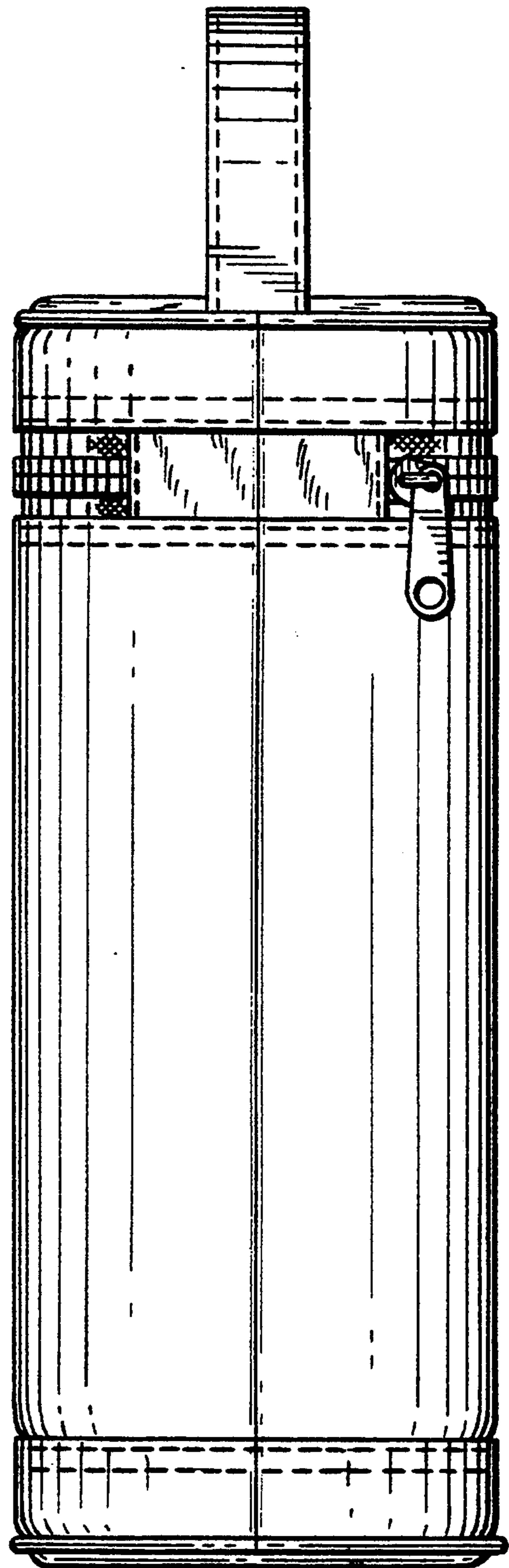


FIG. 6

