



US00D352821S

# United States Patent [19]

[11] Patent Number: Des. 352,821

Stillwagon

[45] Date of Patent: \*\* Nov. 29, 1994

[54] **SECURE KEY HOLDER FOR SELECTIVELY LOCKING KEYS THEREON**

[75] Inventor: Woodrow C. Stillwagon, Atlanta, Ga.

[73] Assignee: Star Lock Systems, Inc., Hilliard, Ohio

[\*\*] Term: 14 Years

[21] Appl. No.: 344

[22] Filed: Oct. 9, 1992

[52] U.S. Cl. .... D3/207; D8/333

[58] Field of Search ..... D3/61-65, D3/103; 70/456 B, 456 R, 459, 457; D8/331, 333

[56] **References Cited**

**U.S. PATENT DOCUMENTS**

|            |         |                    |        |
|------------|---------|--------------------|--------|
| 59,541     | 11/1921 | Lue et al. ....    | D8/333 |
| D. 133,034 | 7/1942  | George .....       | D8/331 |
| D. 228,618 | 10/1973 | Falk .....         | D8/333 |
| D. 241,304 | 9/1976  | Sander .....       | D8/333 |
| D. 242,112 | 11/1976 | Sander .....       | D8/333 |
| D. 242,983 | 1/1977  | Saitou .....       | D8/333 |
| D. 263,555 | 3/1982  | Curtis .....       | D8/331 |
| D. 301,682 | 6/1989  | Gardenswartz ..... | D8/332 |

Primary Examiner—A. Hugo Word  
Assistant Examiner—R. Seifert  
Attorney, Agent, or Firm—Louis T. Isaf

[57] **CLAIM**

The ornamental design for a secure key holder for selectively locking keys thereon, as shown and described.

**DESCRIPTION**

FIG. 1 is a perspective view of a secure key holder for selectively locking keys thereon showing my new design wherein the broken line showing of a key is for

illustrative purposes only and forms no part of the claimed design;

FIG. 2 is a front elevational view thereof;

FIG. 3 is a rear elevational view thereof, wherein the broken line showing of a key insert and inner most circles is for illustrative purposes only and forms no part of the claimed design;

FIG. 4 is a side elevational view thereof;

FIG. 5 is a top plan view thereof;

FIG. 6 is an exploded perspective view thereof in an unlatched condition, wherein the broken line showing of a key is for illustrative purposes only and forms no part of the claimed design;

FIG. 7 is a side elevational view of a secure key holder for selectively locking keys thereon showing a second embodiment of my new design, wherein the front and rear views thereof are substantially similar to the front and rear views of the first embodiment;

FIG. 8 is a top plan view thereof;

FIG. 9 is a perspective view of a secure key holder for selectively locking keys thereon showing a third embodiment of my new design wherein the broken line showing of a key is for illustrative purposes only and forms no part of the claimed design;

FIG. 10 is a front elevational view thereof;

FIG. 11 is a rear elevational view thereof, wherein the broken line showing of a key insert and inner most circles is for illustrative purposes only and forms no part of the claimed design;

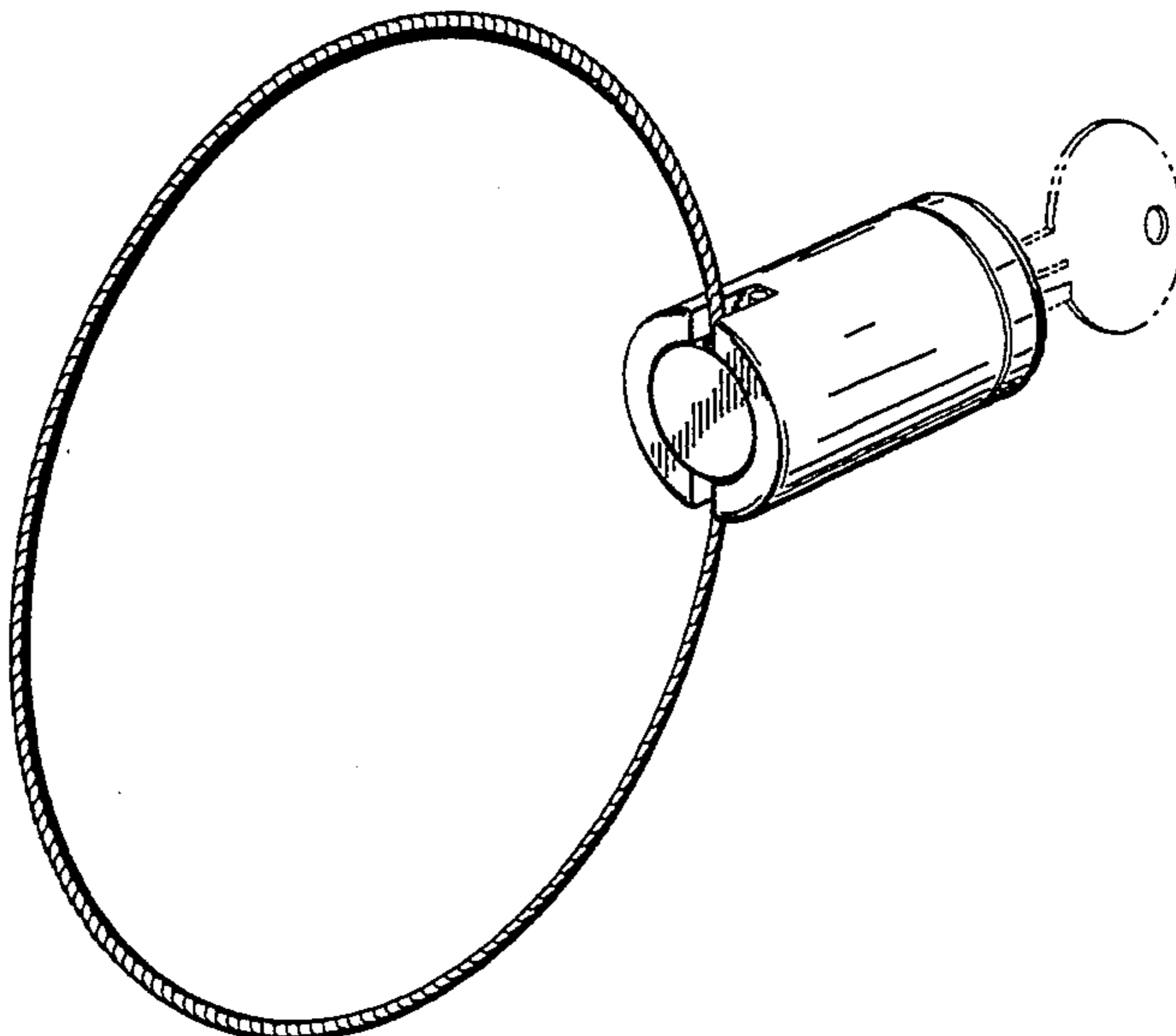
FIG. 12 is a side elevational view thereof;

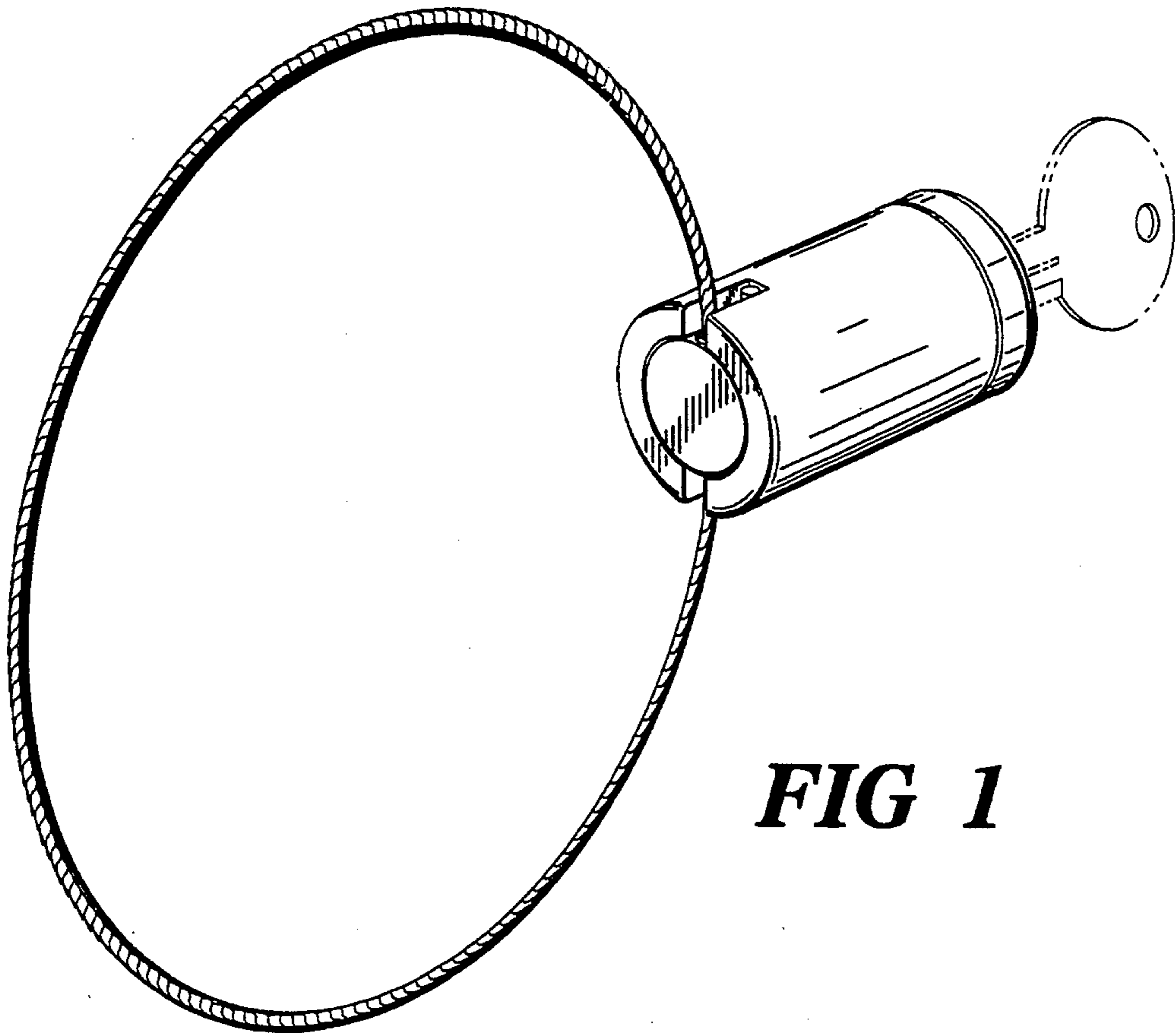
FIG. 13 is a top plan view thereof;

FIG. 14 is an exploded perspective view thereof in an unlatched condition, wherein the broken line only showing of a key is for illustrative purposes only and forms no part of the claimed design;

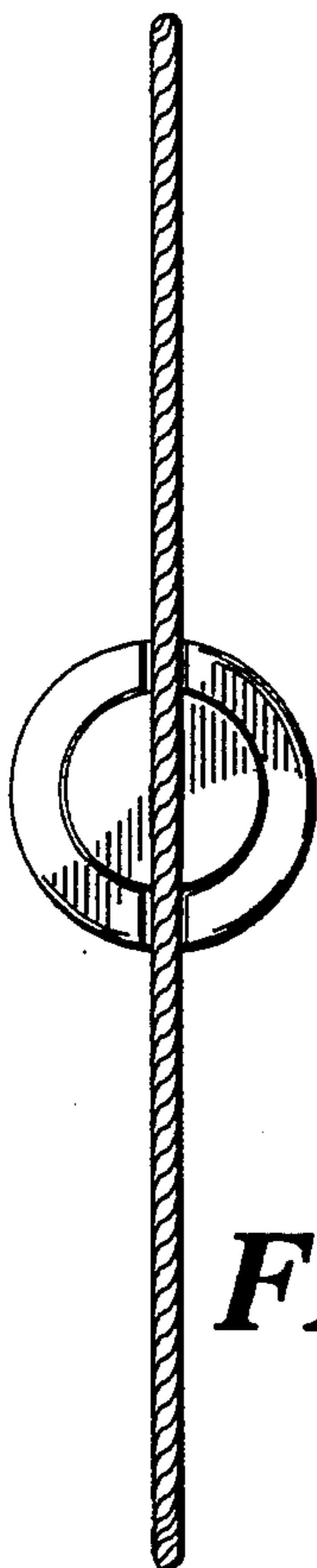
FIG. 15 is a side elevational view of a secure key holder for selectively locking keys thereon showing a fourth embodiment of my new design, wherein the front and rear views thereof are substantially similar to the front and rear views of the third embodiment; and,

FIG. 16 is a top plan view thereof.

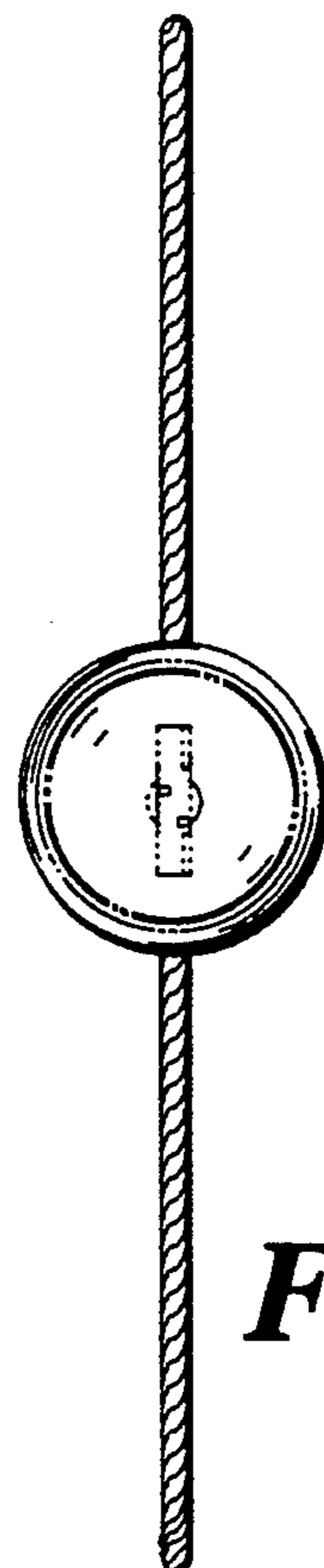




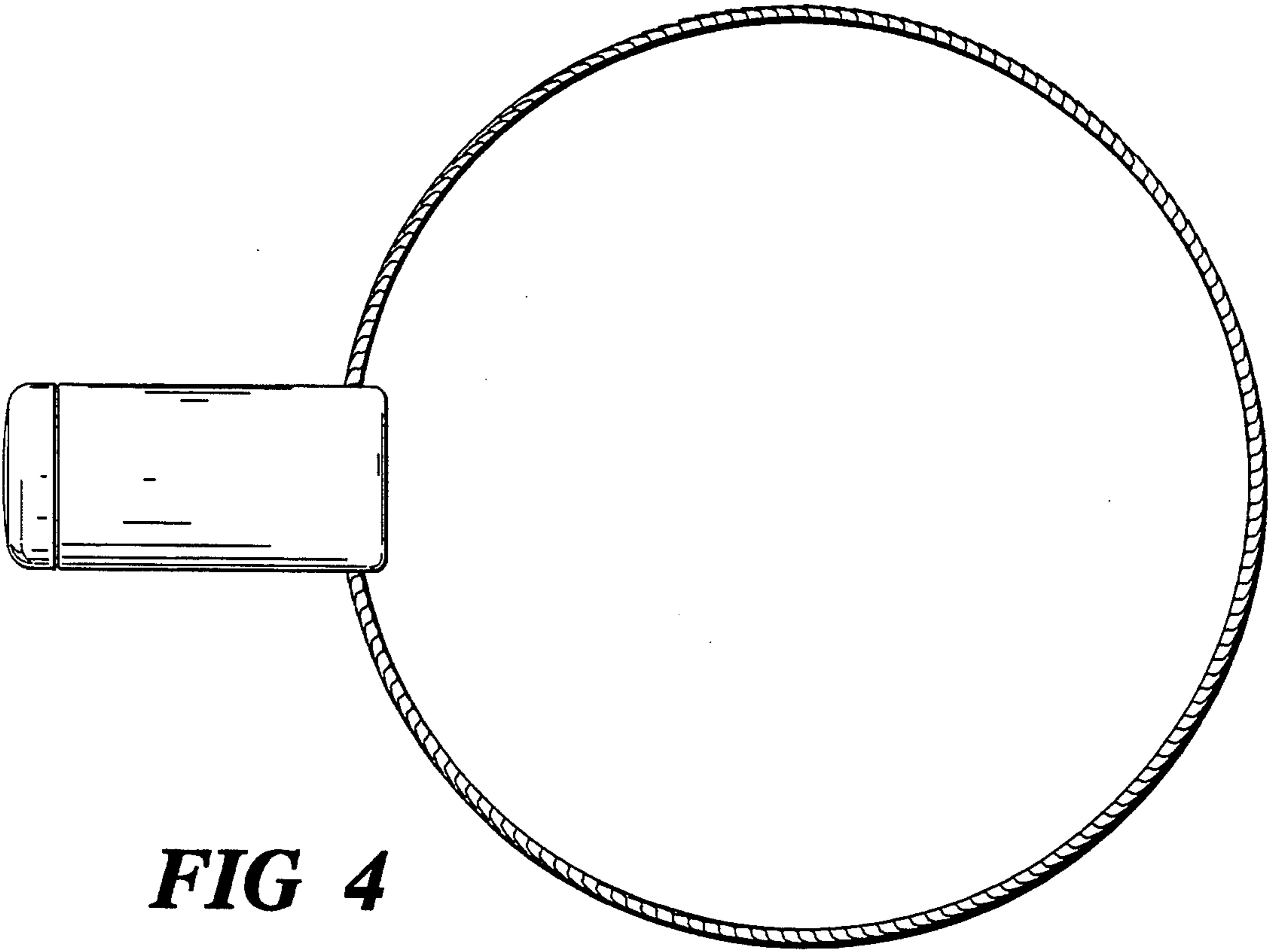
**FIG 1**



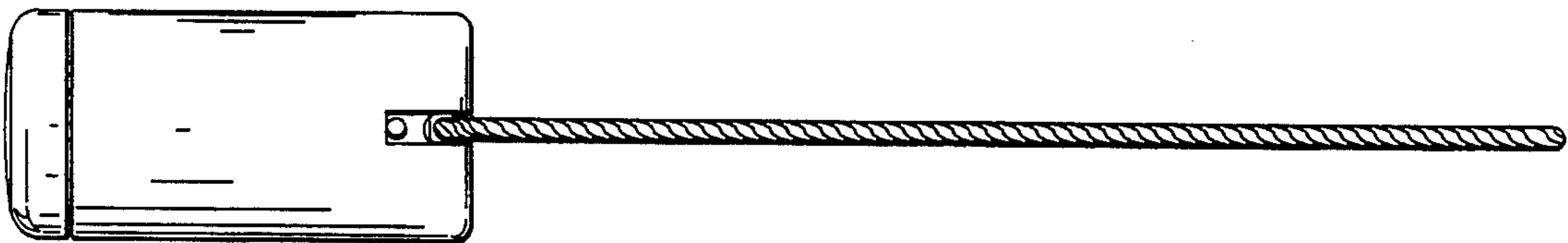
**FIG 2**



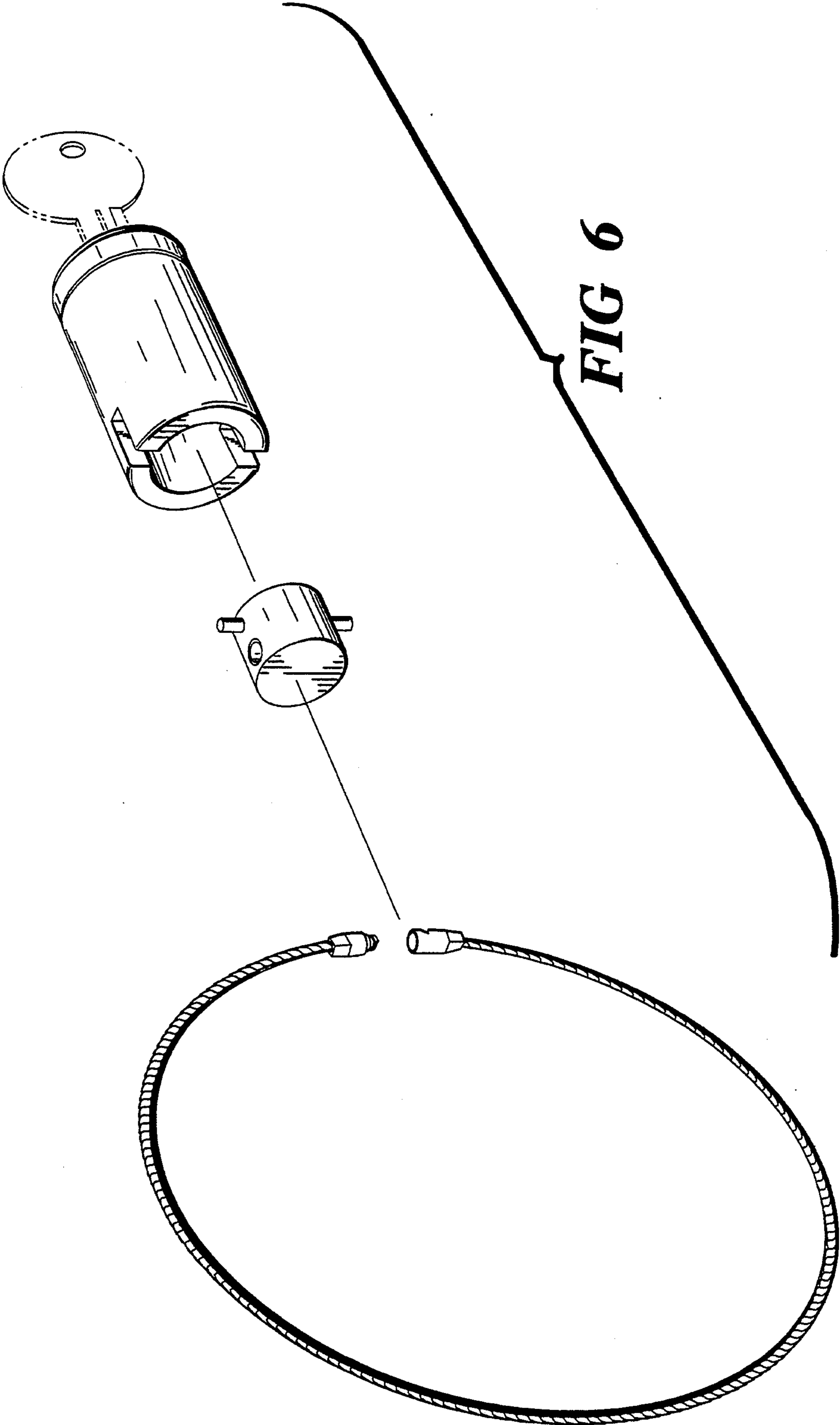
**FIG 3**



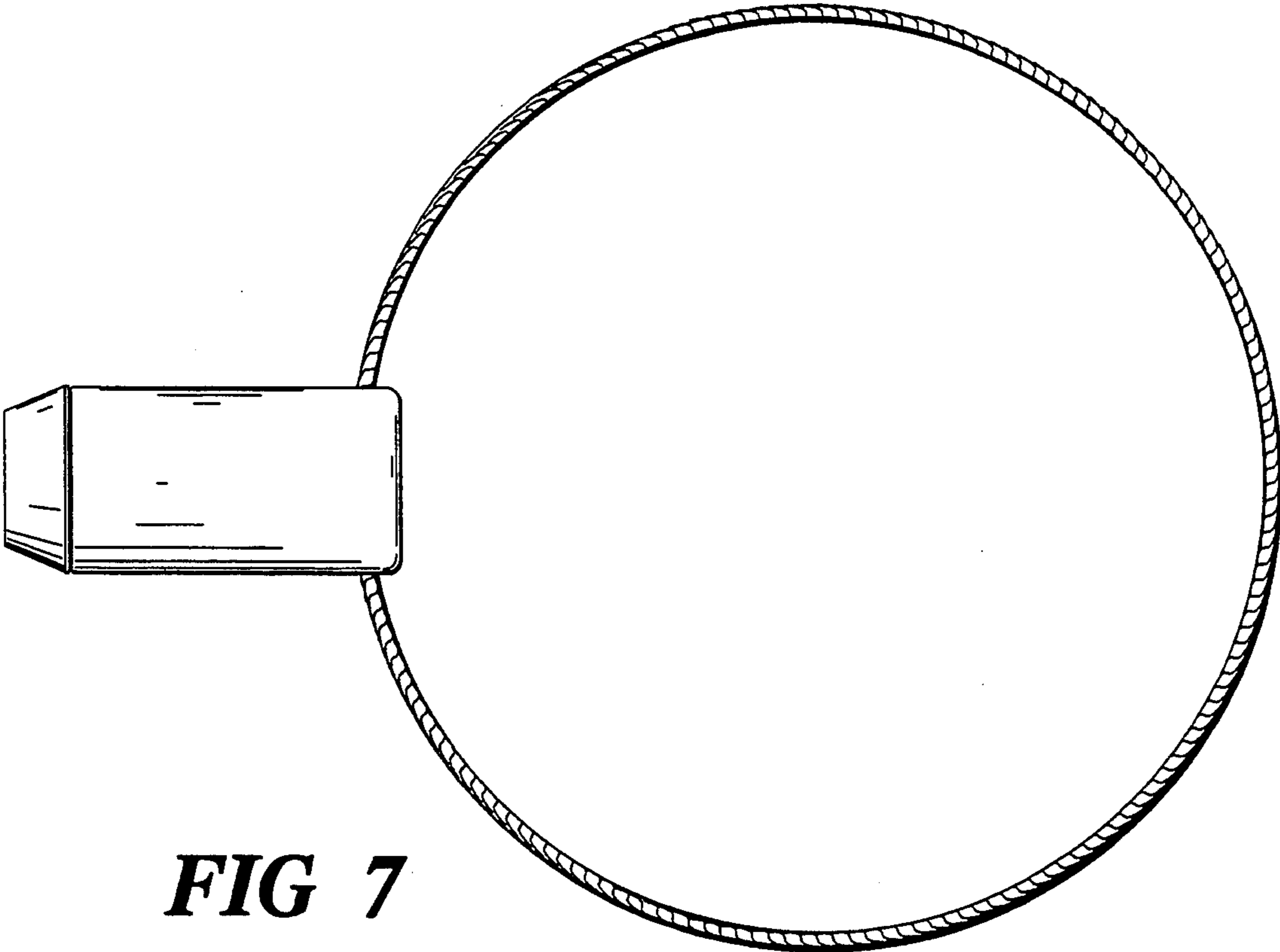
**FIG 4**



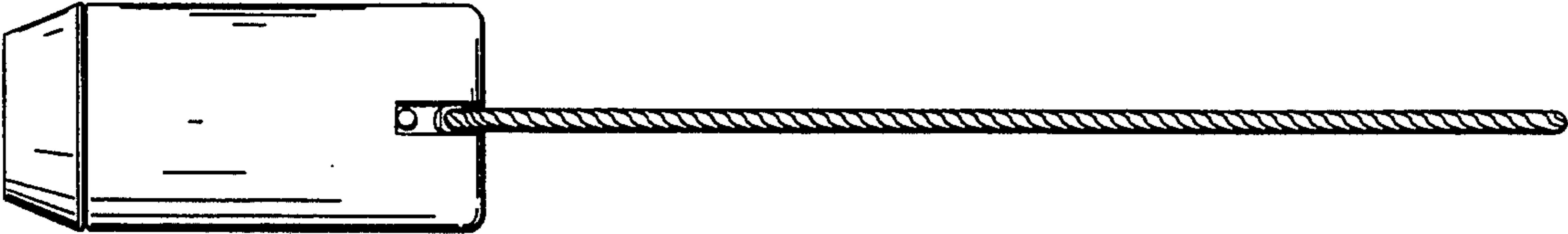
**FIG 5**



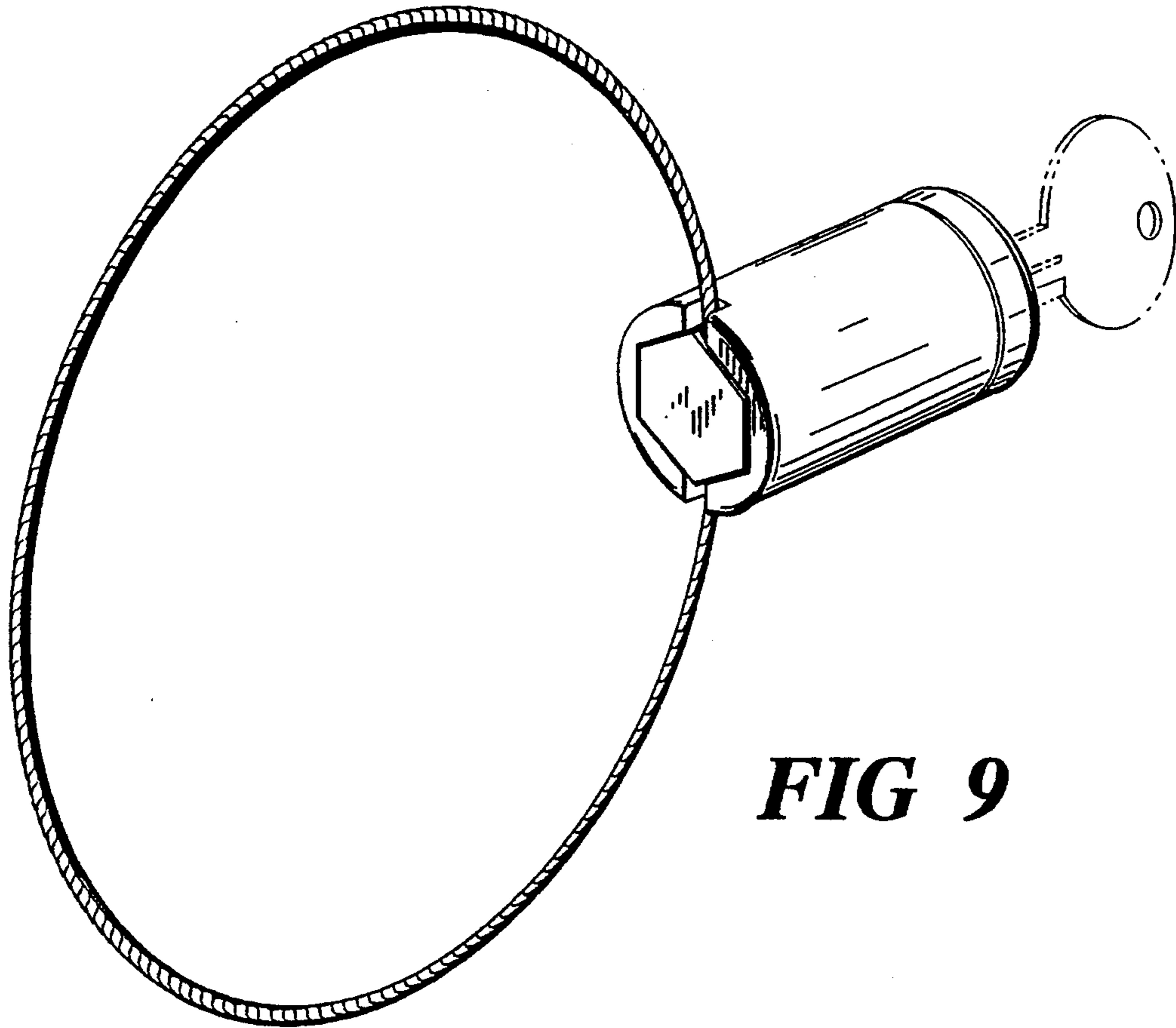
**FIG 6**



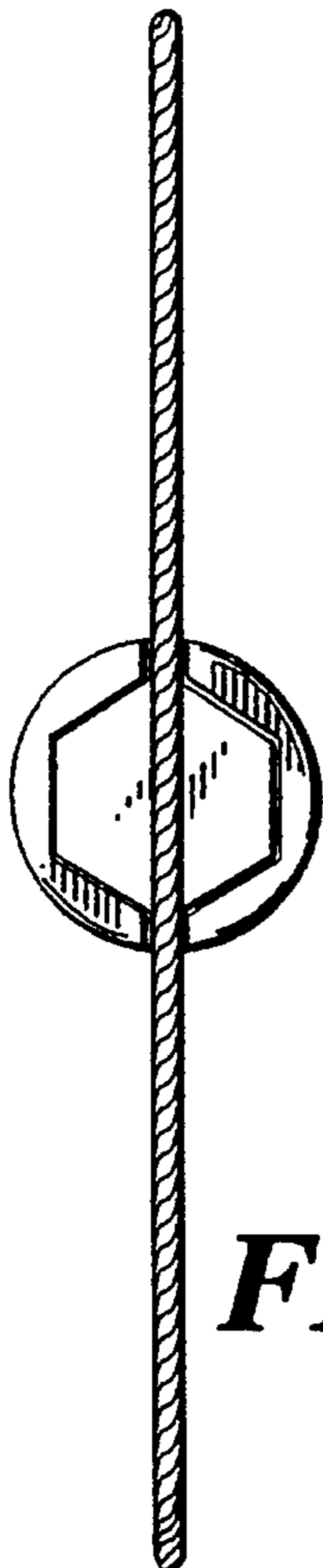
**FIG 7**



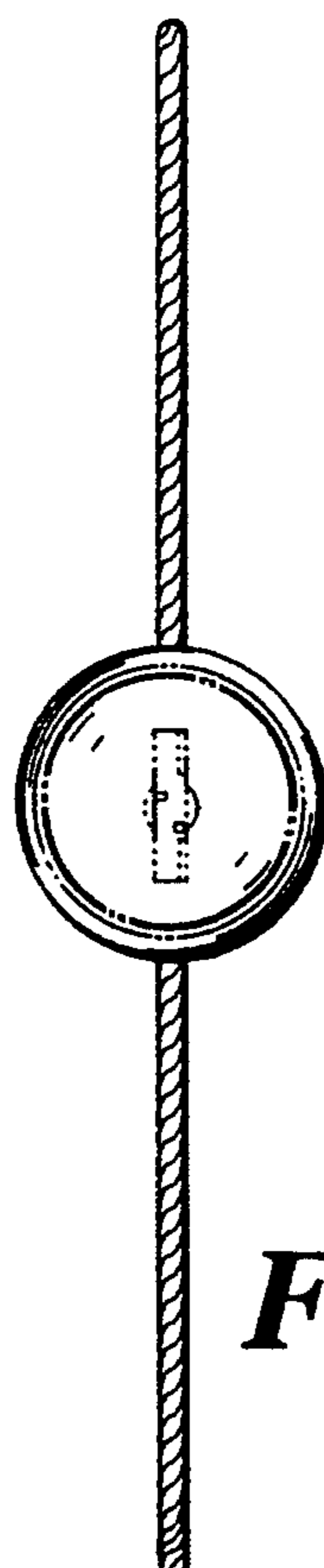
**FIG 8**



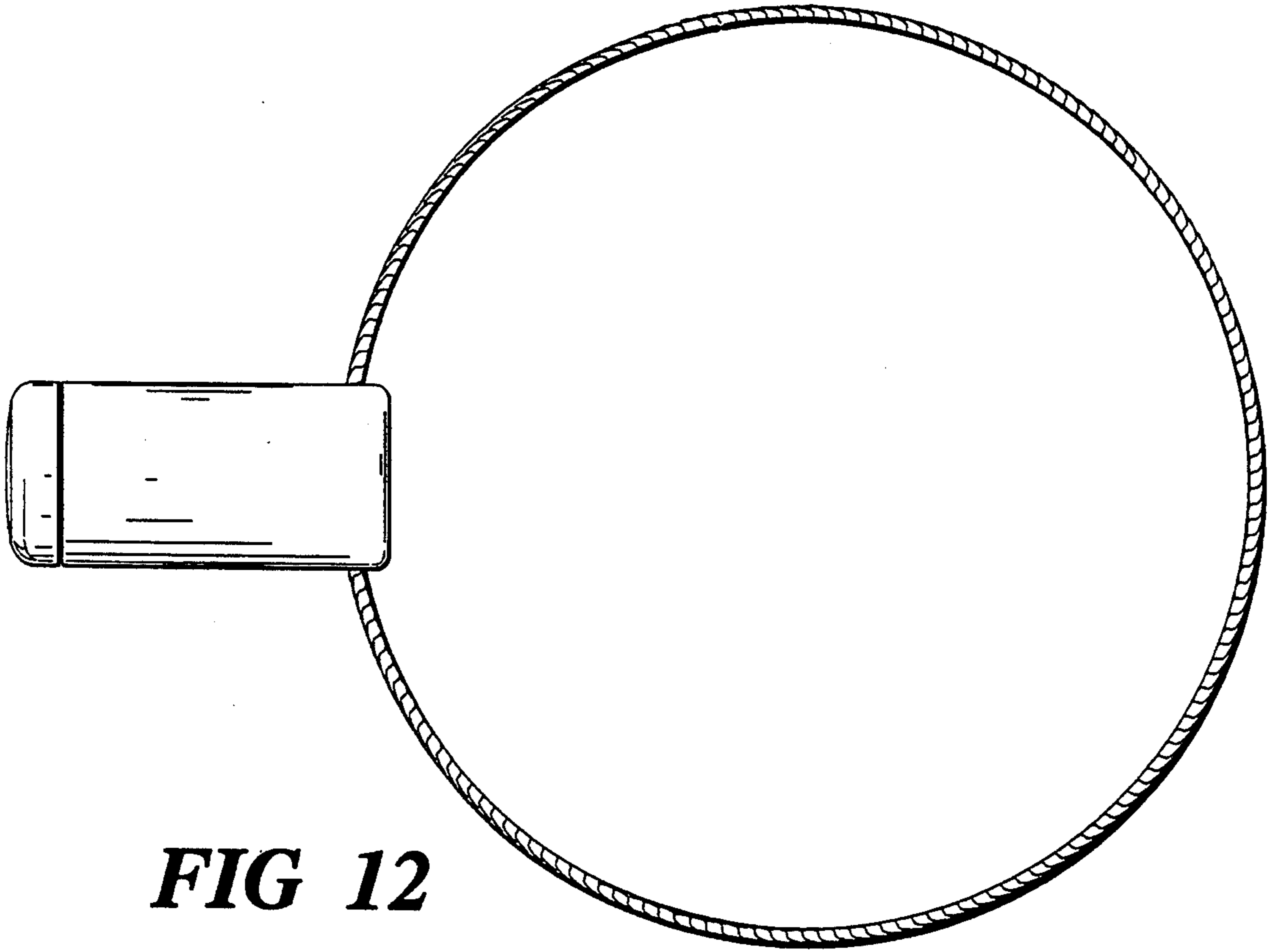
**FIG 9**



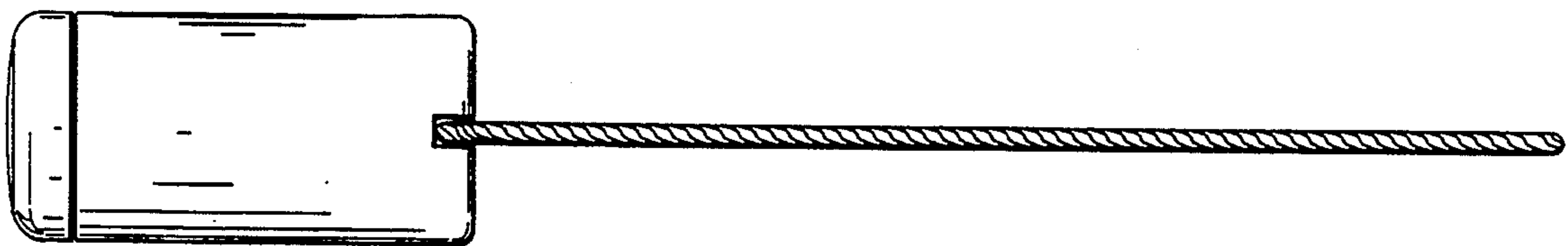
**FIG 10**



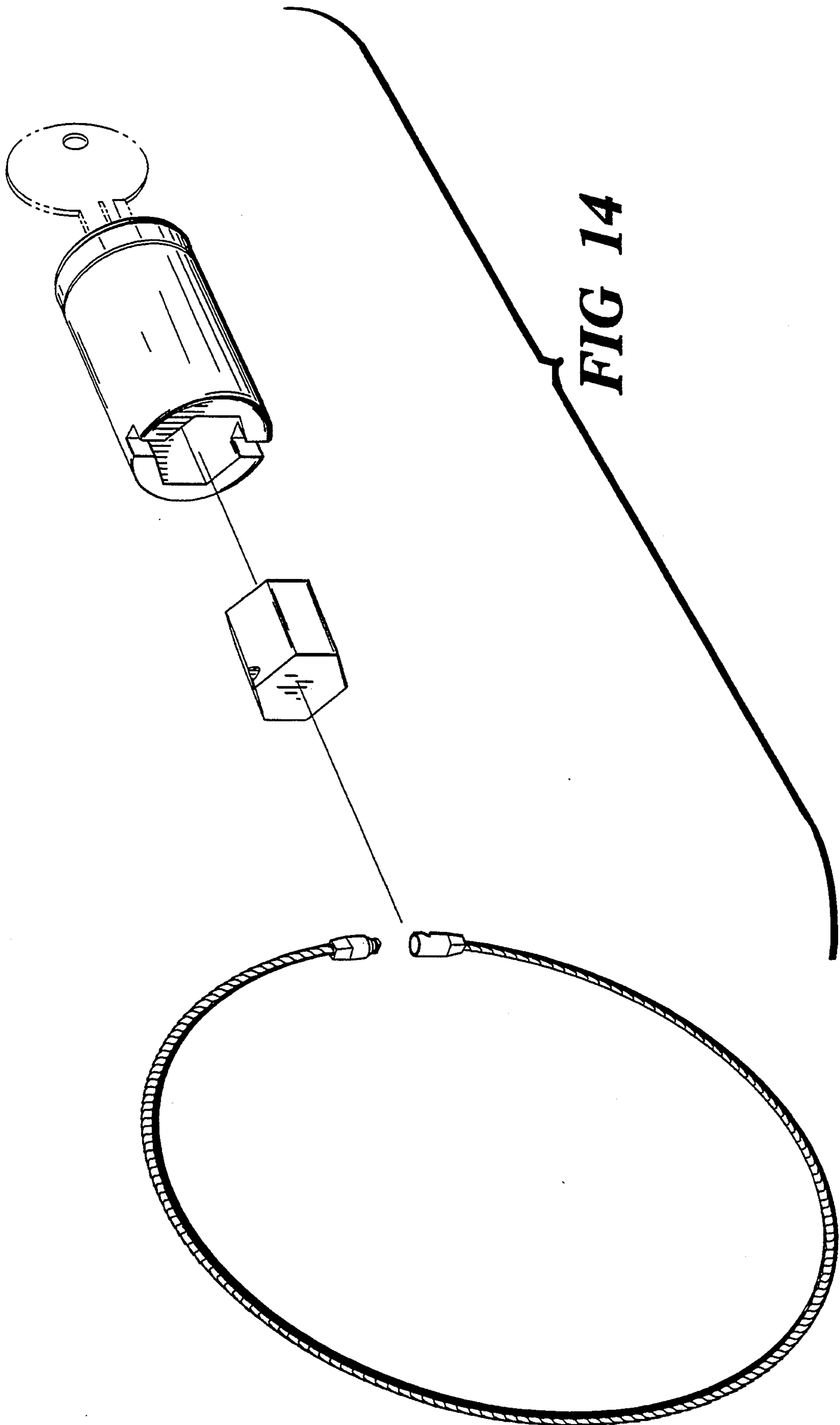
**FIG 11**



**FIG 12**

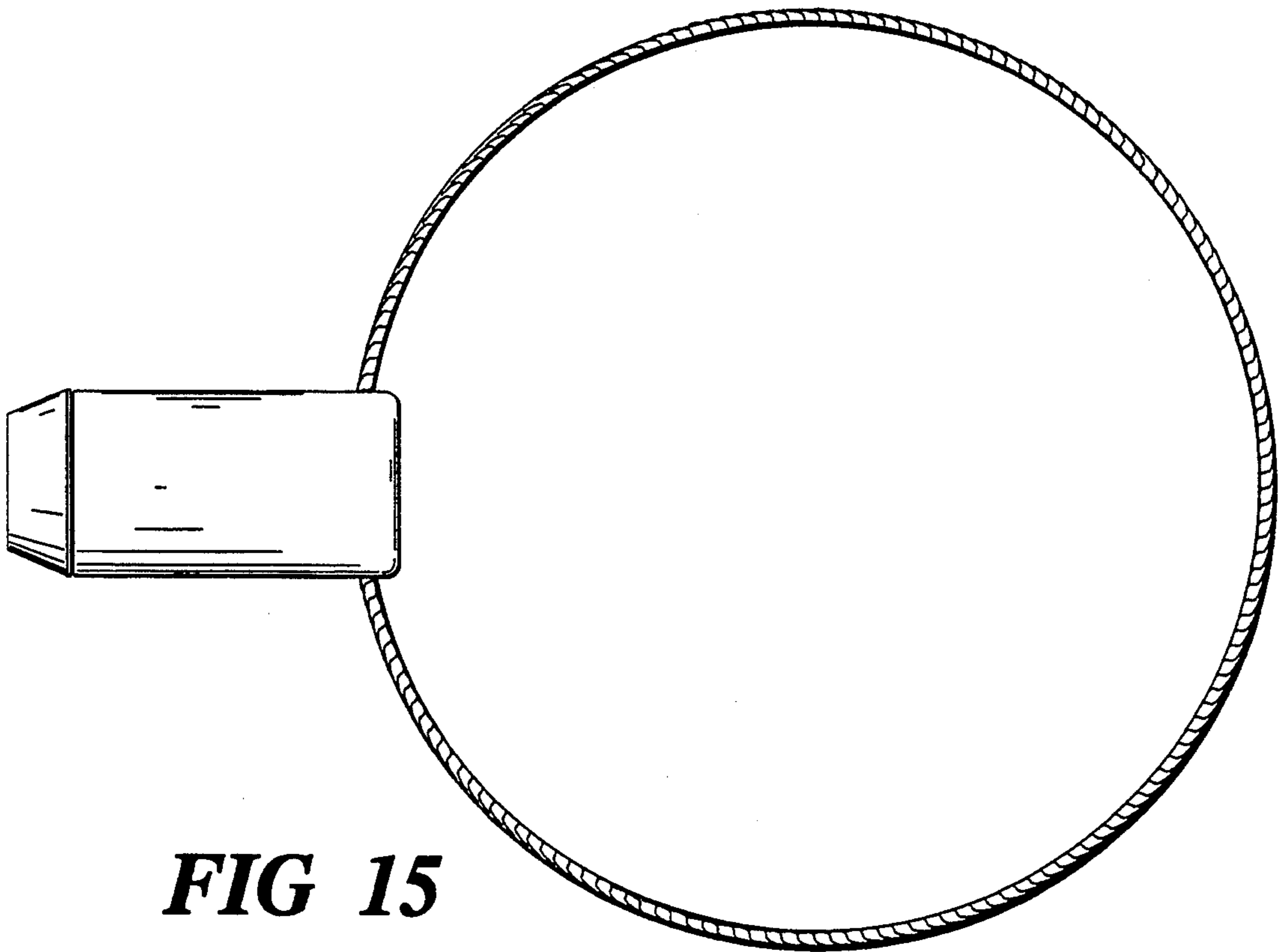


**FIG 13**

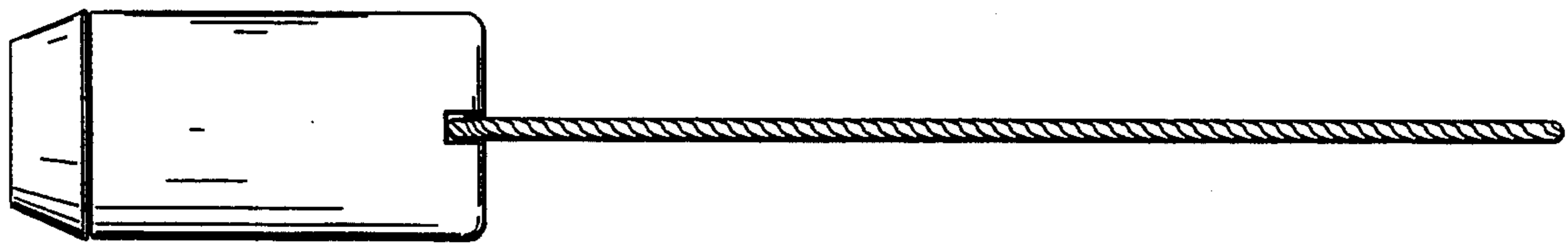


**FIG 14**





**FIG 15**



**FIG 16**