



US00D352820S

United States Patent [19] Martinez

[11] Patent Number: **Des. 352,820**
[45] Date of Patent: **** Nov. 29, 1994**

[54] **SHADE FOR A COOLER**
[76] Inventor: **Ramiro Martinez, 1760 Success Dr.,
Porterville, Calif. 93257**
[**] Term: **14 Years**
[21] Appl. No.: **2,389**
[22] Filed: **Dec. 11, 1992**
[52] U.S. Cl. **D3/5; D23/354**
[58] Field of Search **D3/5, 6, 10; 135/908,
135/98, 99, 15.1, 16-19; D23/354**

5,199,361 4/1993 Robinson 135/16 X

FOREIGN PATENT DOCUMENTS

449954 7/1949 Italy 135/16

Primary Examiner—Louis S. Zarfes
Attorney, Agent, or Firm—Terry M. Gernstein

[57] CLAIM

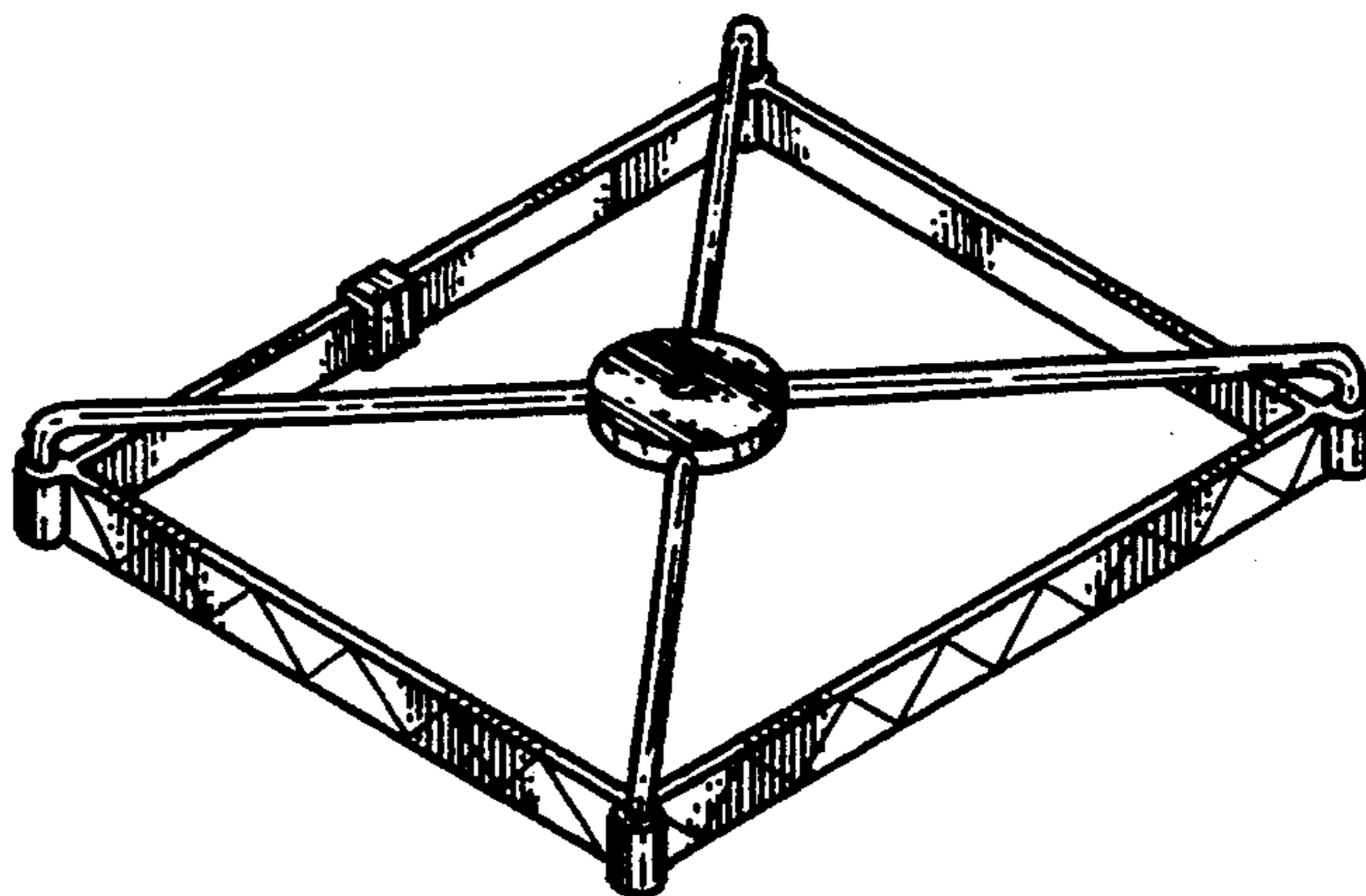
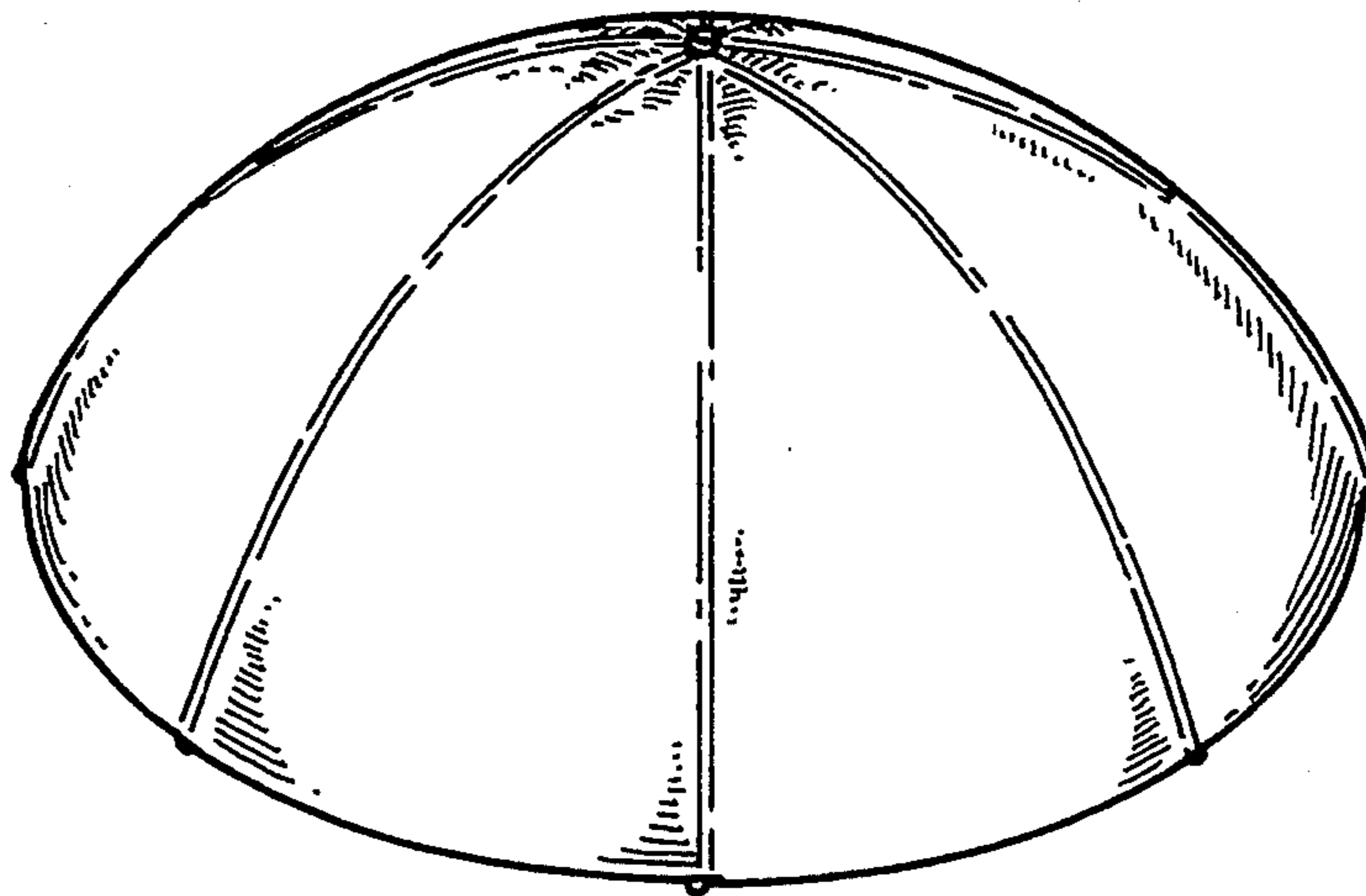
The ornamental design for a shade for a cooler, as shown and described.

DESCRIPTION

FIG. 1 is a front, top and side exploded perspective view of the shade for a shade for a cooler showing my new design;
FIG. 2 is a front elevational view thereof, the rear being a mirror image of the front shown in FIG. 2;
FIG. 3 is a side elevational view thereof;
FIG. 4 is a side elevational view thereof;
FIG. 5 is a top plan view thereof;
FIG. 6 is a bottom plan view thereof; and,
FIG. 7 is a perspective view thereof in combination with a cooler, the cooler being shown in broken lines to indicate the environment of the shade.

[56] References Cited U.S. PATENT DOCUMENTS

D. 220,397	4/1971	Melcher	D23/354
D. 258,083	1/1981	Gammell	D23/354
D. 288,613	3/1987	James et al.	D3/5
D. 319,872	9/1991	Holt	D23/354
D. 338,327	8/1993	Lewis	D3/13 X
1,890,409	12/1932	Roberts	135/16
1,936,428	11/1933	Friesner	135/15.1 X
3,006,498	10/1961	Thiede	D23/354
3,407,825	10/1968	Doyle	135/16
3,910,631	10/1975	Inaba	135/16 X



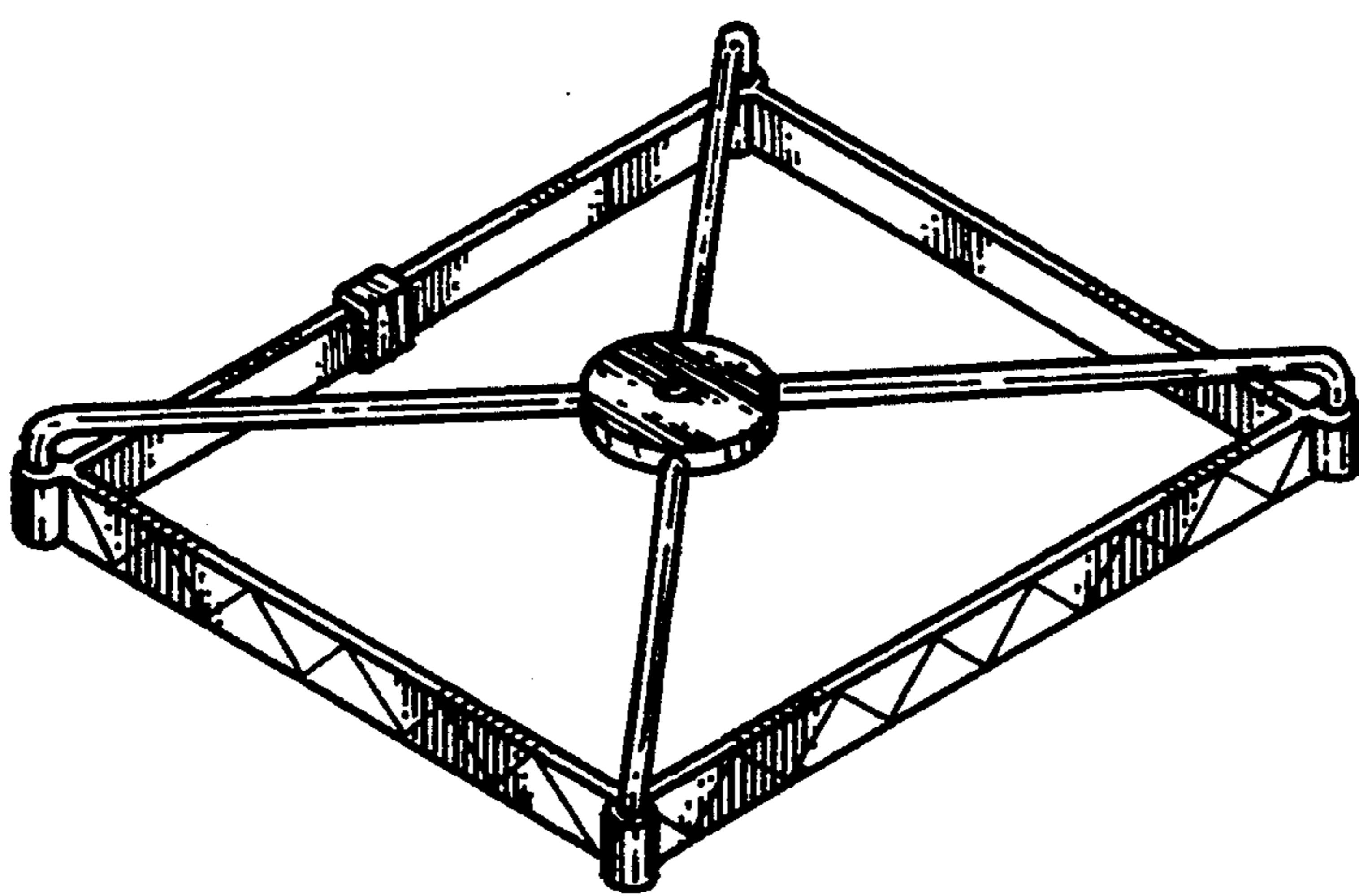
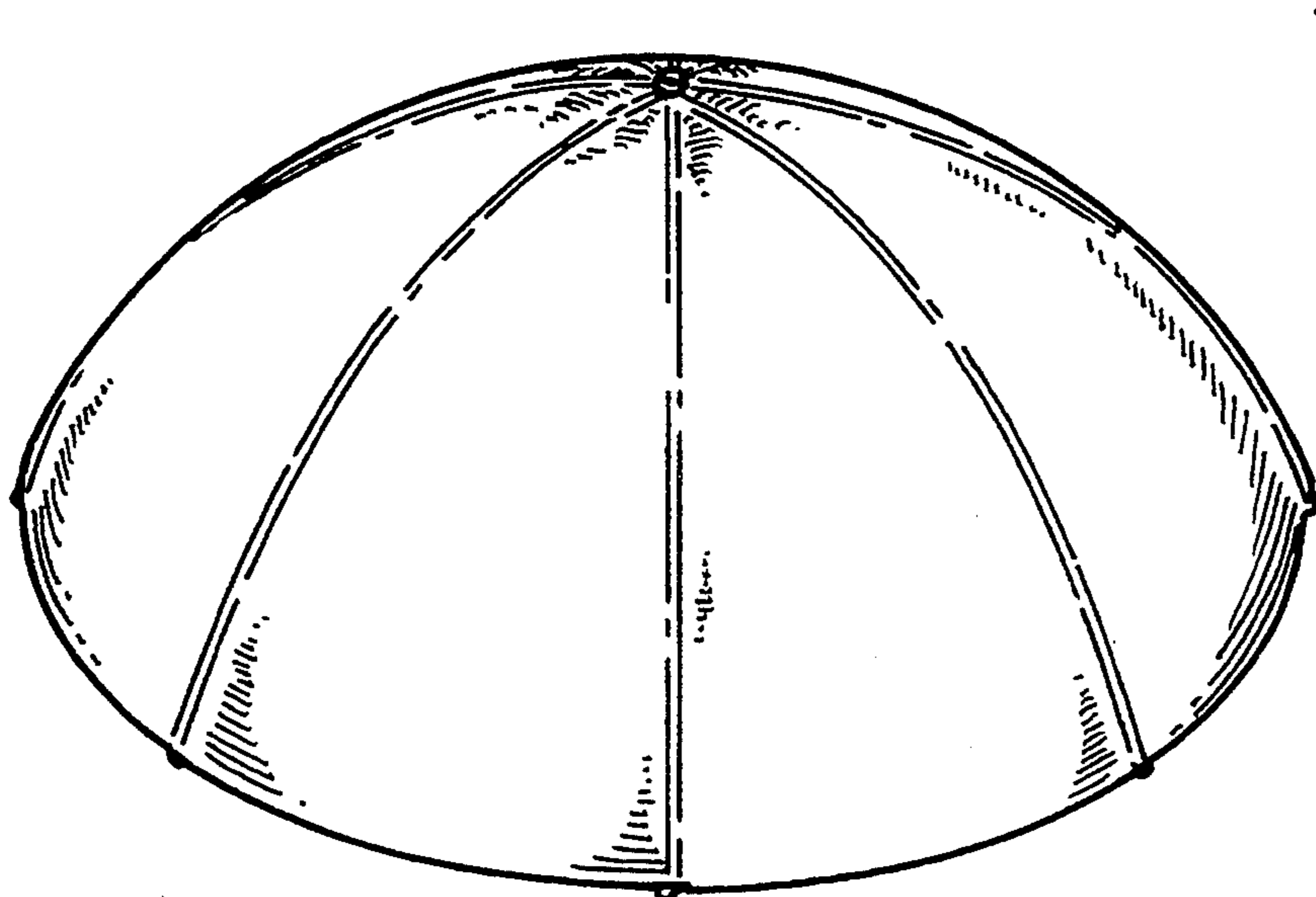


FIG. 1

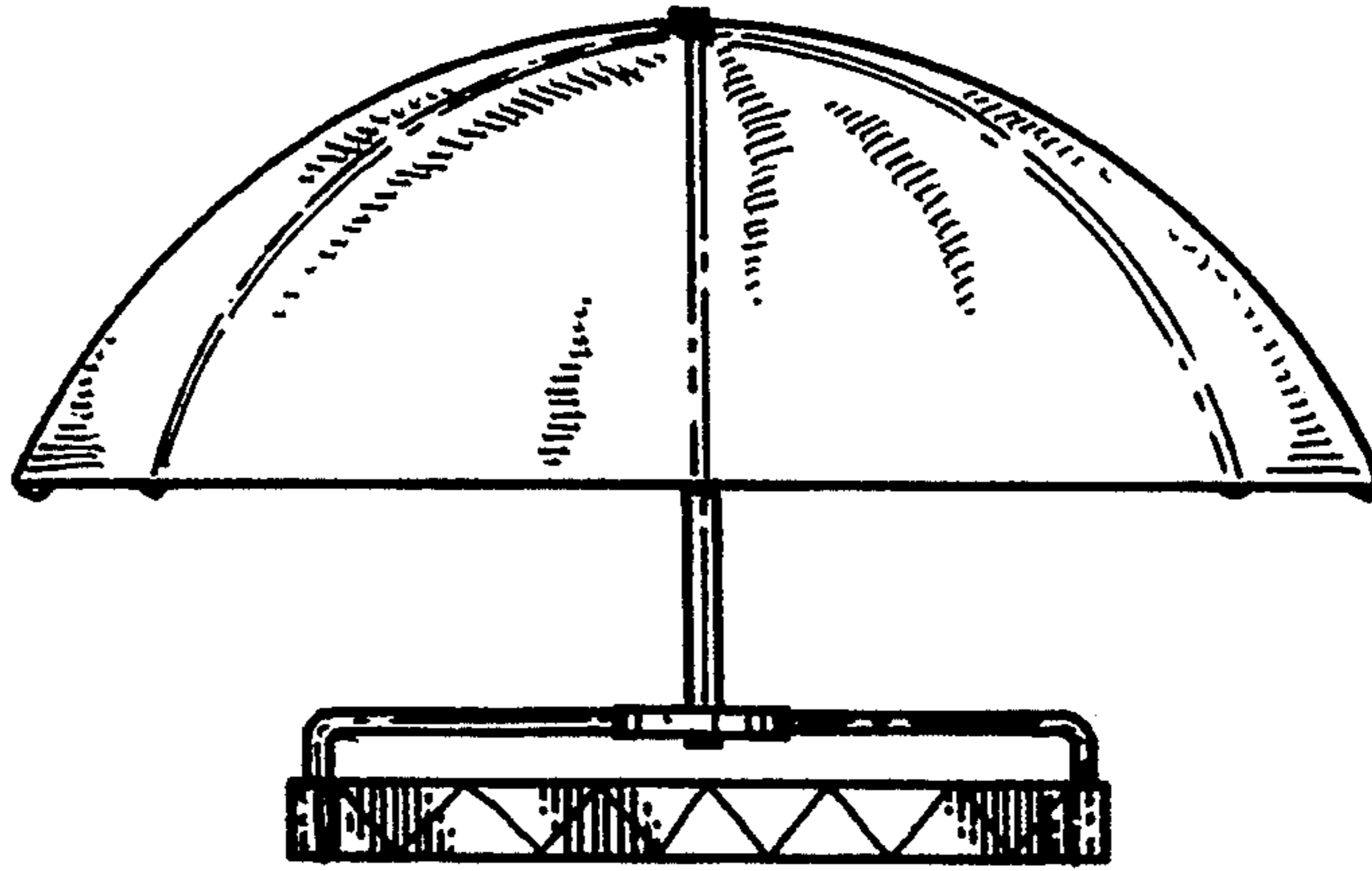


FIG. 2

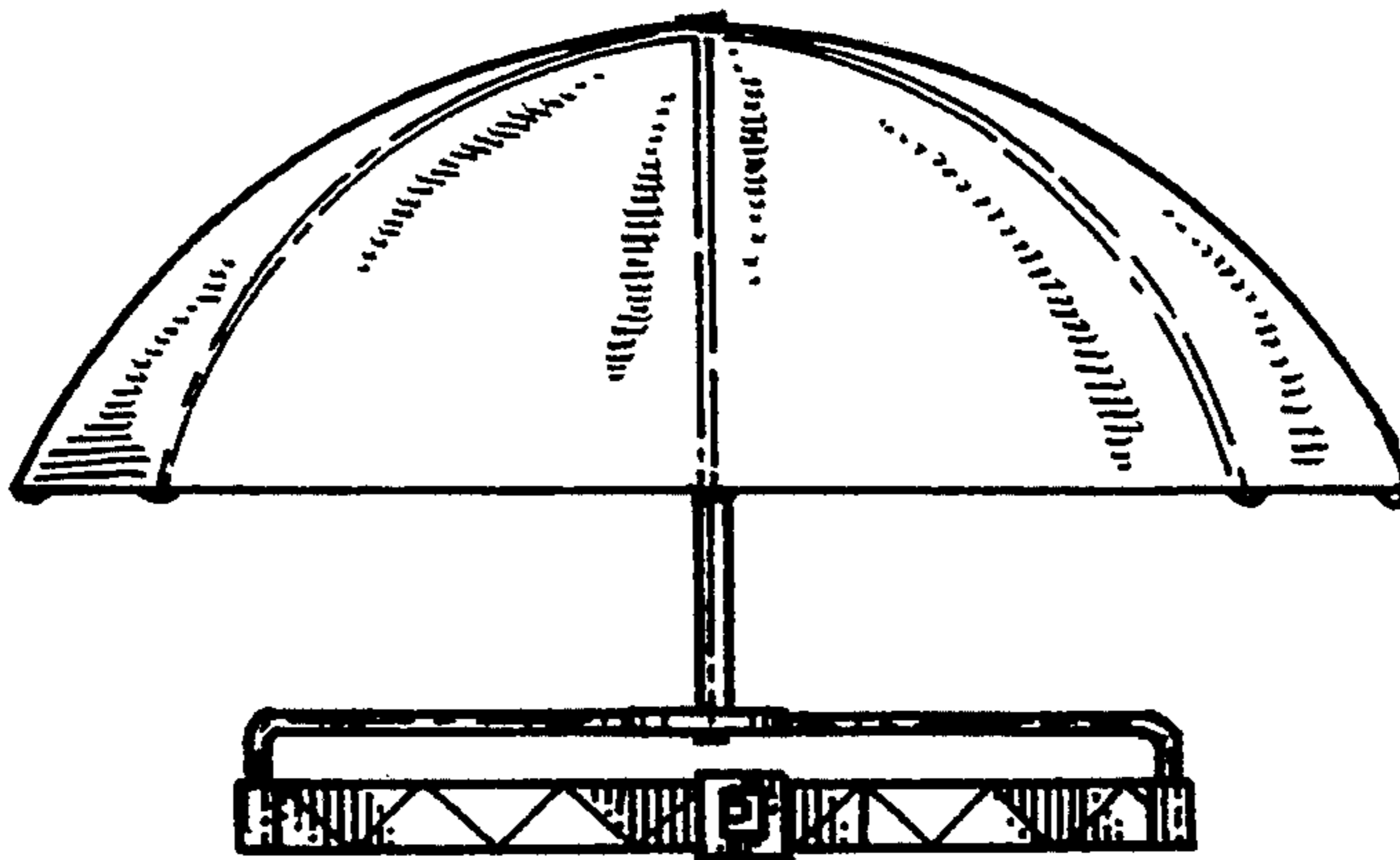


FIG. 3

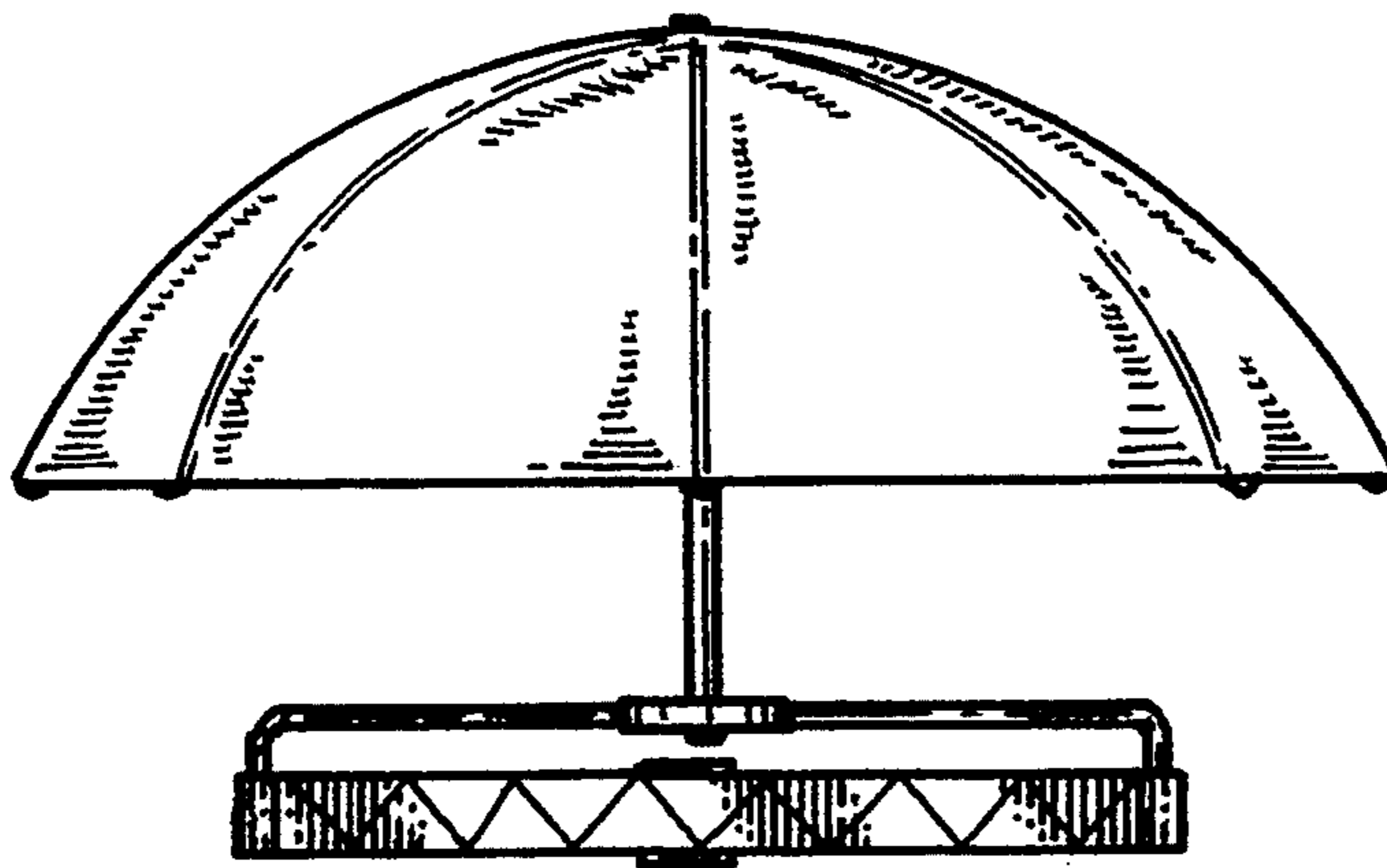


FIG. 4

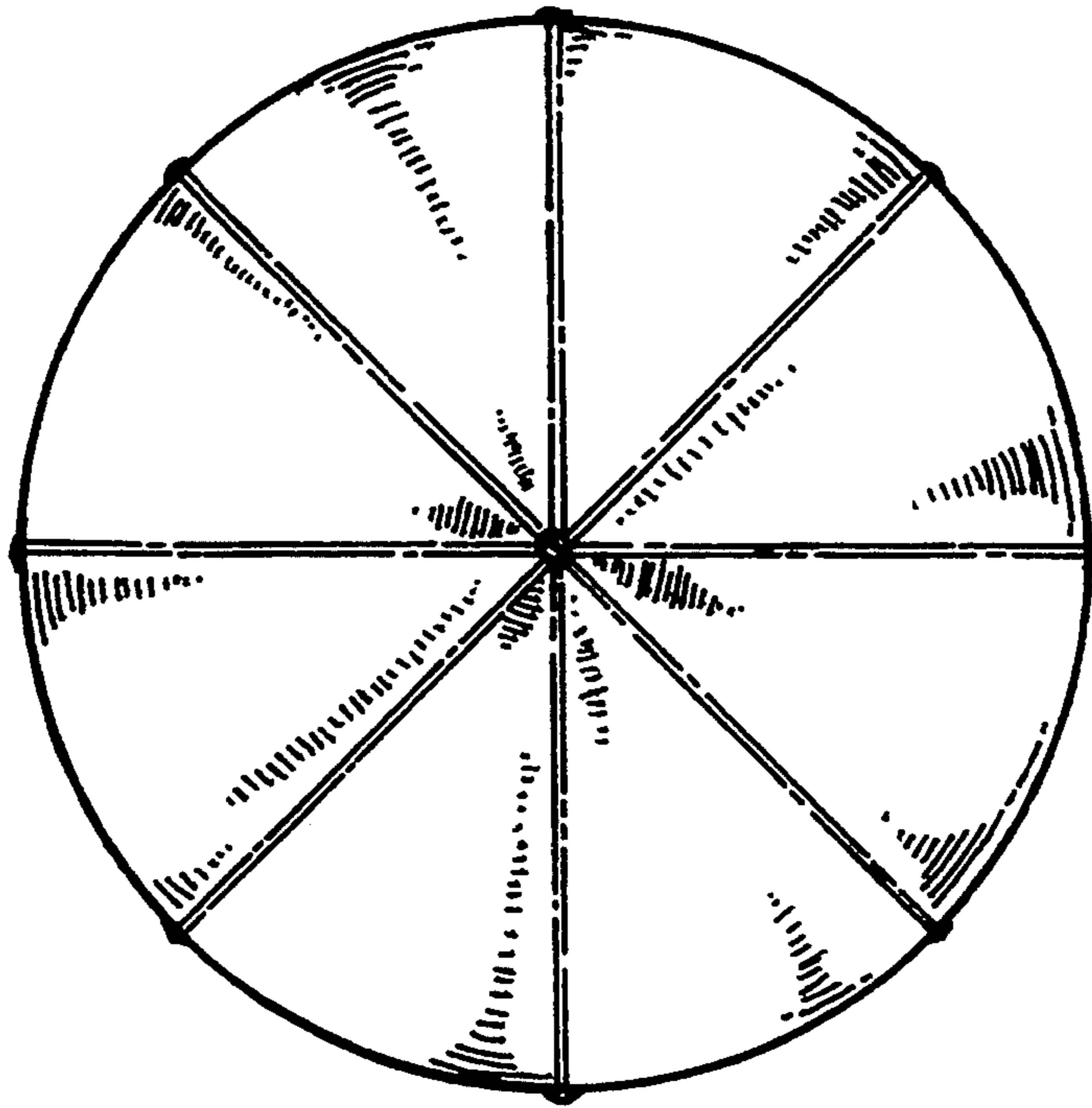


FIG. 5

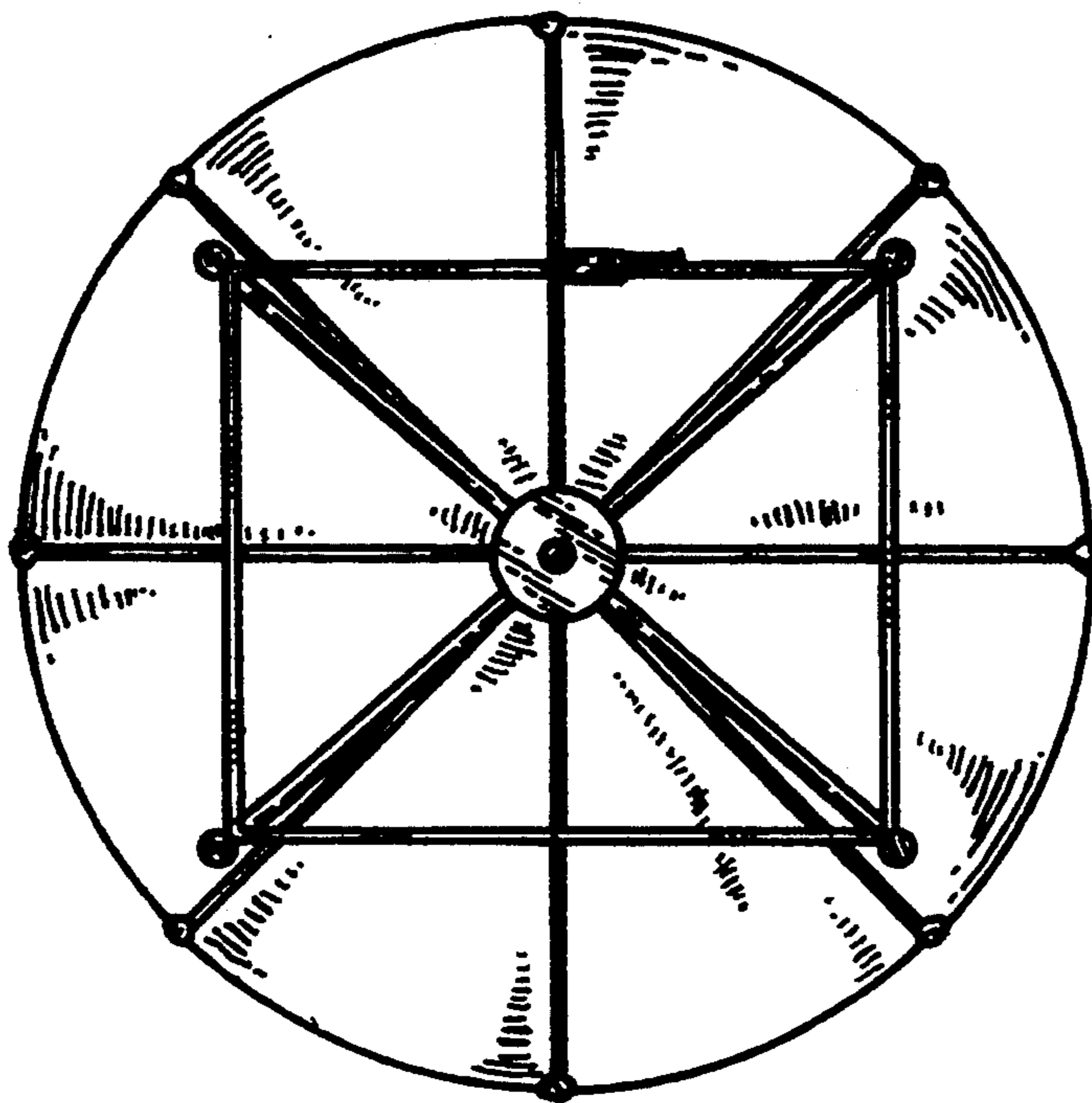


FIG. 6

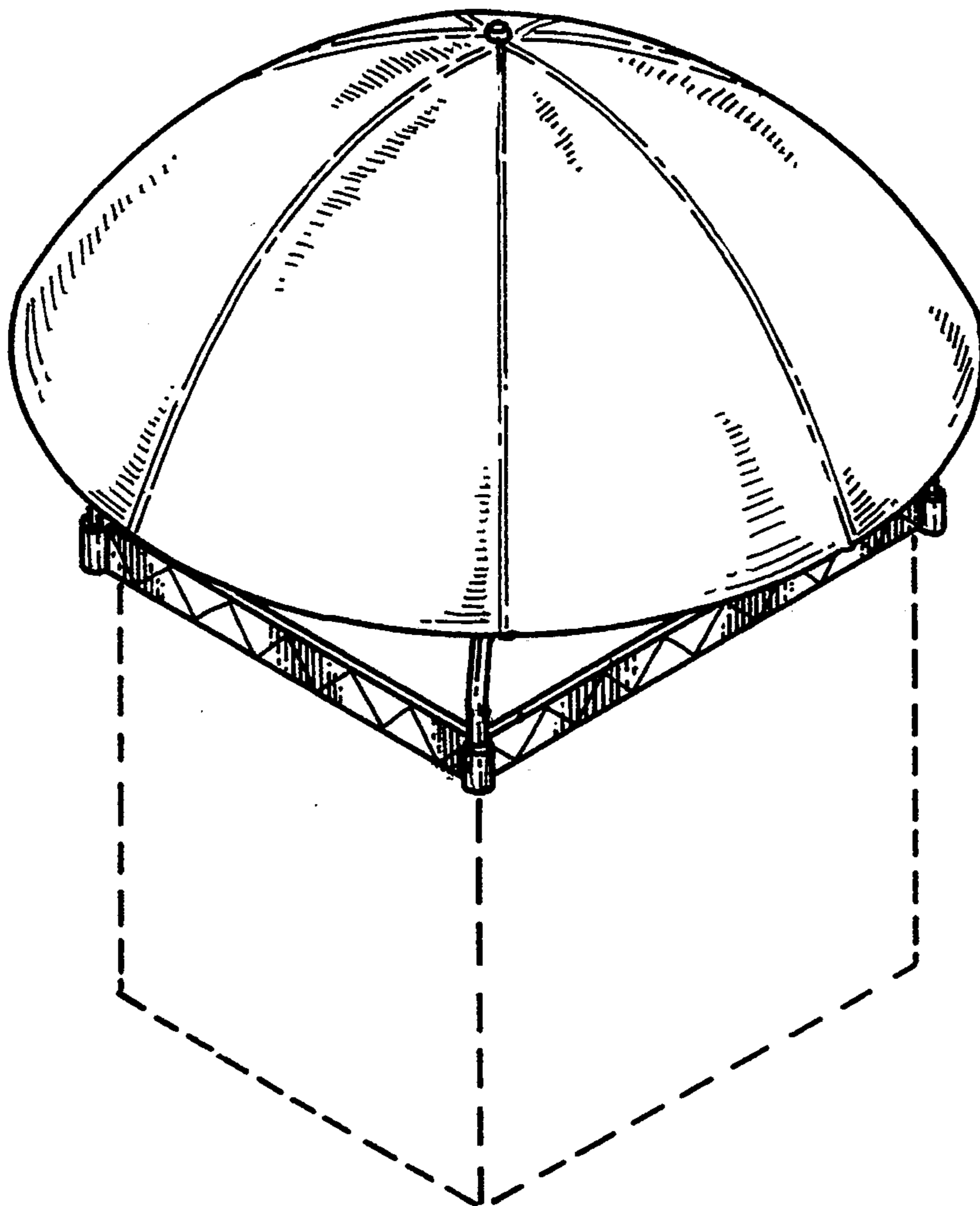


FIG. 7