



US00D352816S

# United States Patent [19]

[11] Patent Number: **Des. 352,816**

Kirn et al.

[45] Date of Patent: **\*\* Nov. 29, 1994**

[54] HUNTER'S VEST

2,437,223	3/1948	Dutrow .....	D2/839
3,046,563	7/1962	Coleman .....	2/94
3,085,250	4/1963	Finlay .....	2/94
3,105,241	10/1963	Allen .....	D2/829

[76] Inventors: **Helen Kirn; Herman Kirn**, both of  
507 Elwood, Lee's Summit, Mo.  
64081

*Primary Examiner*—A. Hugo Word  
*Assistant Examiner*—Celia A. Murphy  
*Attorney, Agent, or Firm*—Kokjer, Kircher, Bowman &  
Johnson

[\*\*] Term: **14 Years**

[21] Appl. No.: **7,323**

[57] **CLAIM**

[22] Filed: **Apr. 16, 1993**  
[52] U.S. Cl. .... **D2/829; D2/828;**  
**D2/830**

The ornamental design for a hunter's vest, as shown and described.

[58] Field of Search ..... **D2/828, 829, 830, 831,**  
**D2/836, 839, 857; 2/84, 92, 94; D29/11**

**DESCRIPTION**

[56] **References Cited**

FIG. 1 is an outside elevational view of a hunters vest in an open condition, showing our new design, the broken lines shown throughout the views being understood to represent conventional stitching;

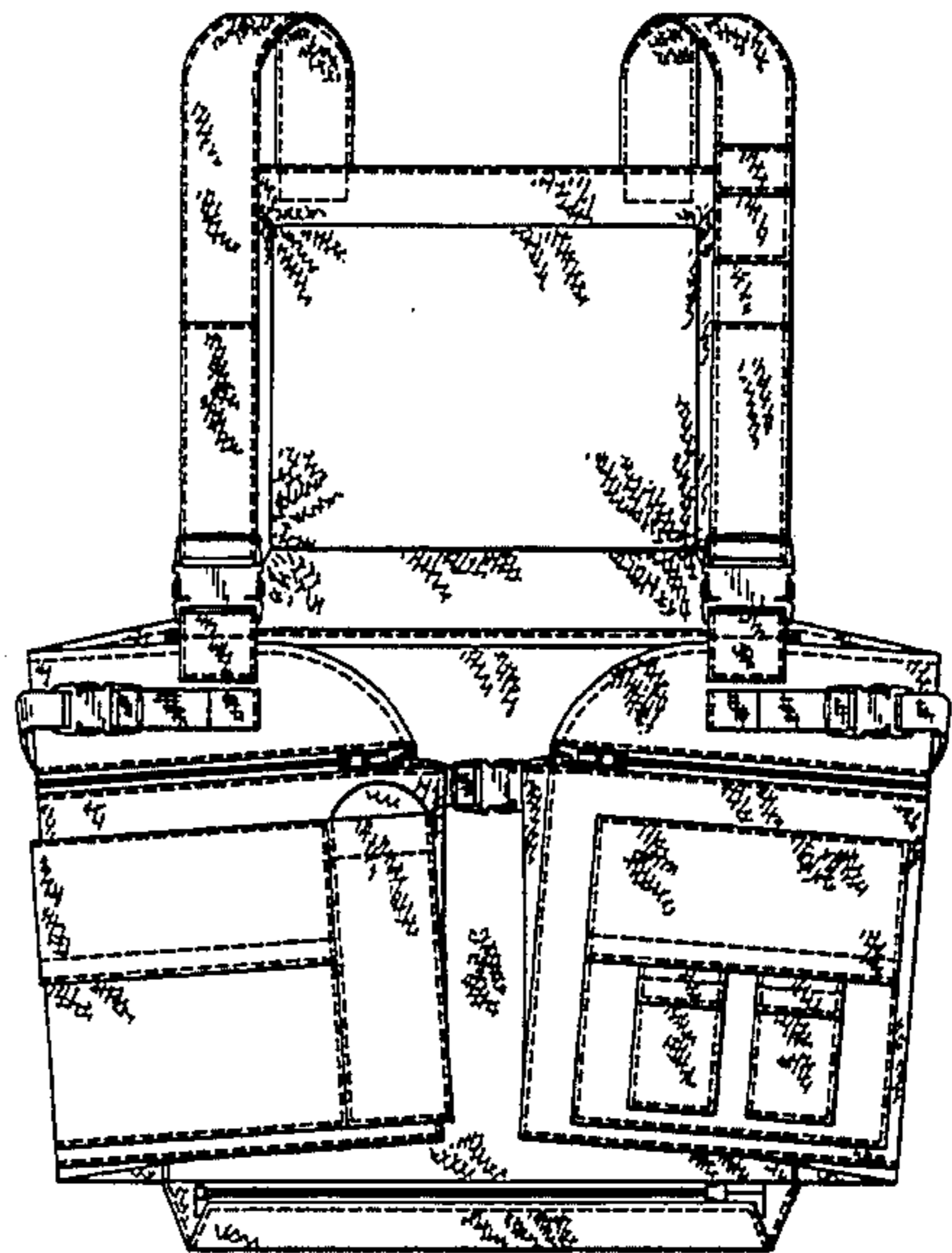
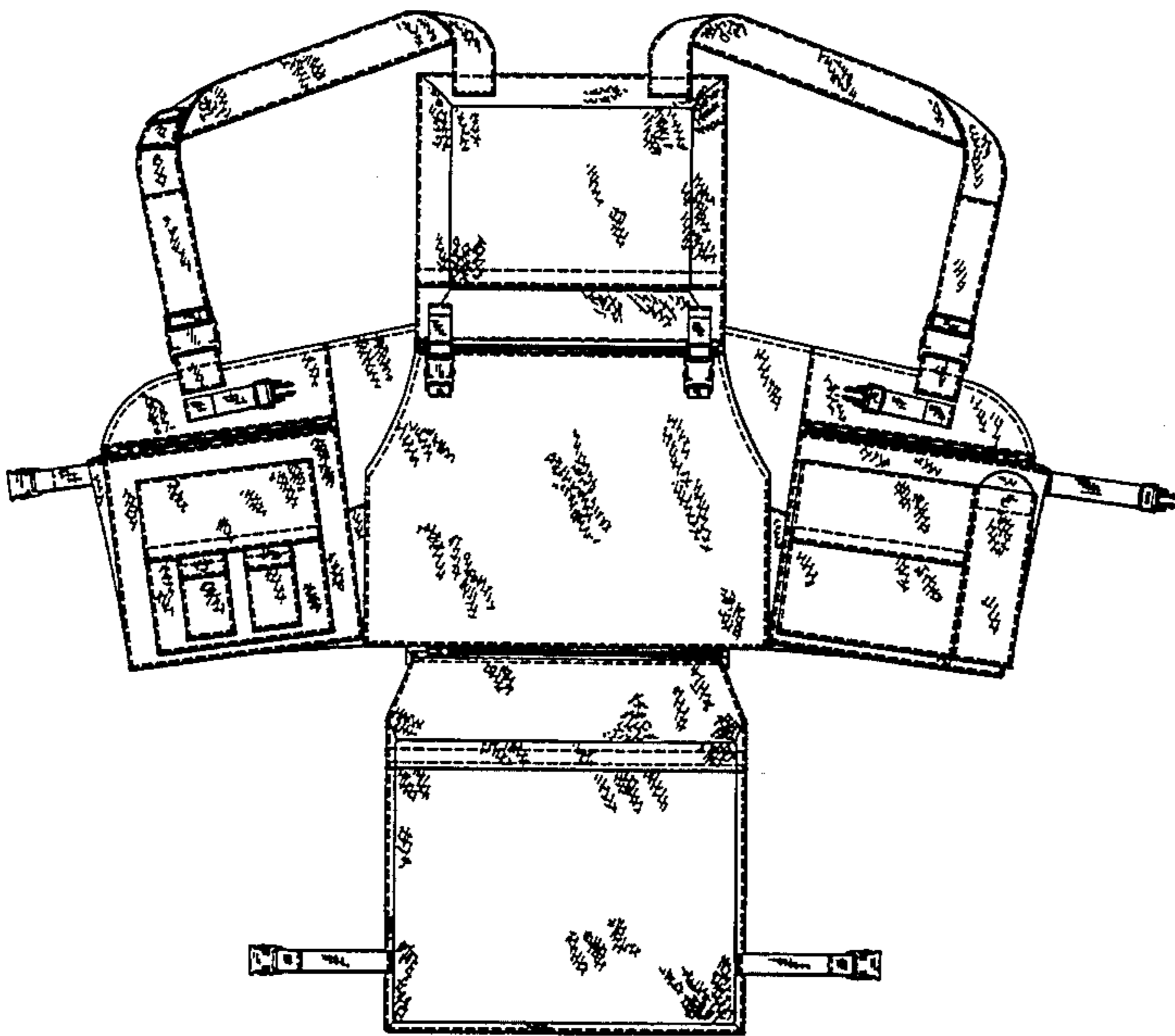
**U.S. PATENT DOCUMENTS**

D. 140,933	4/1945	Koster .....	D29/11
D. 269,136	5/1983	Presentin .....	D2/829
D. 270,585	9/1983	Viio .....	D2/829
811,167	1/1906	Paddock .....	2/92
1,879,341	9/1932	Lapham .....	2/94

FIG. 2 is an outside elevational view thereof;

FIG. 3 is a front elevational view thereof in the condition of use; and,

FIG. 4 is a rear elevational view of FIG. 3.



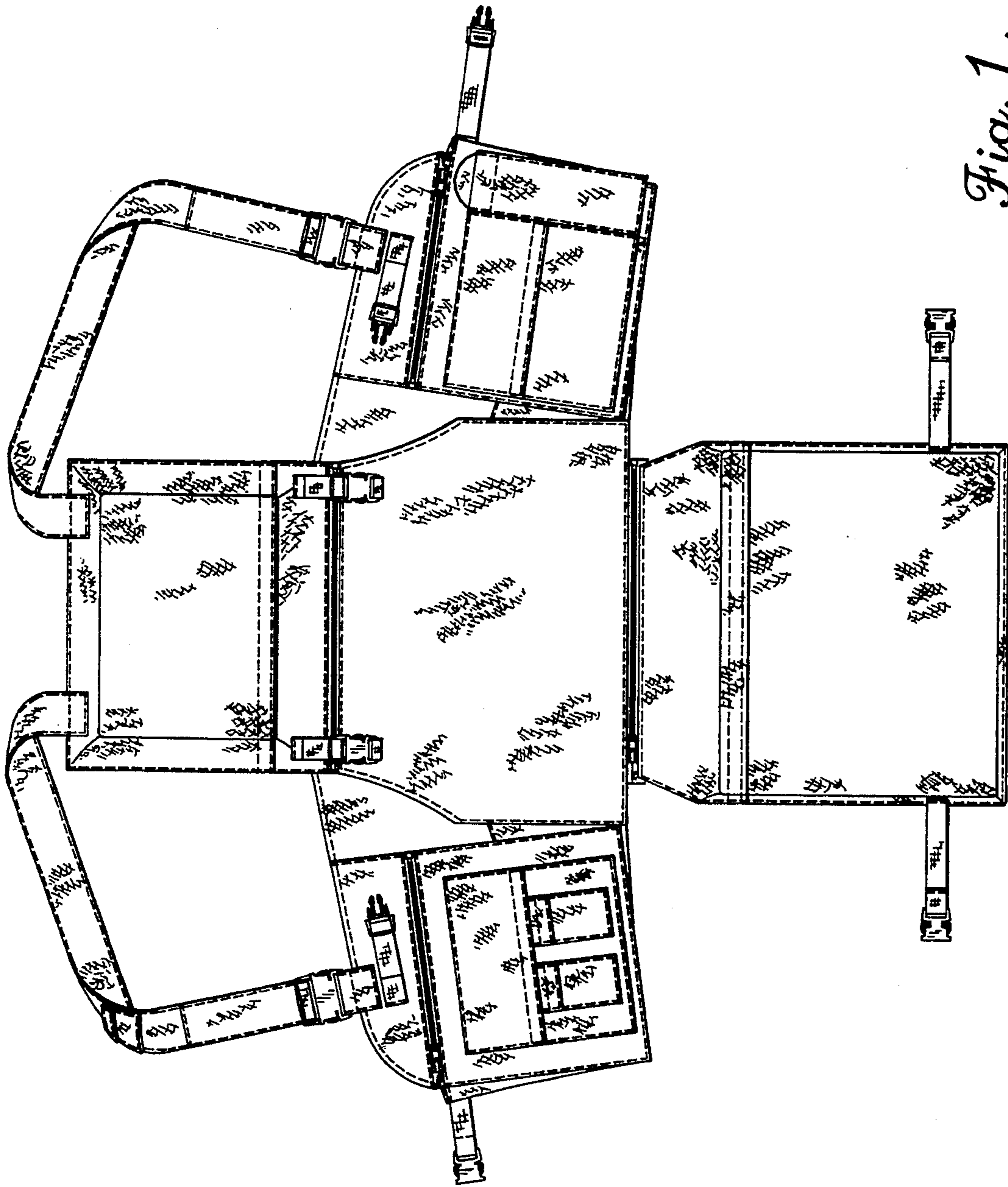
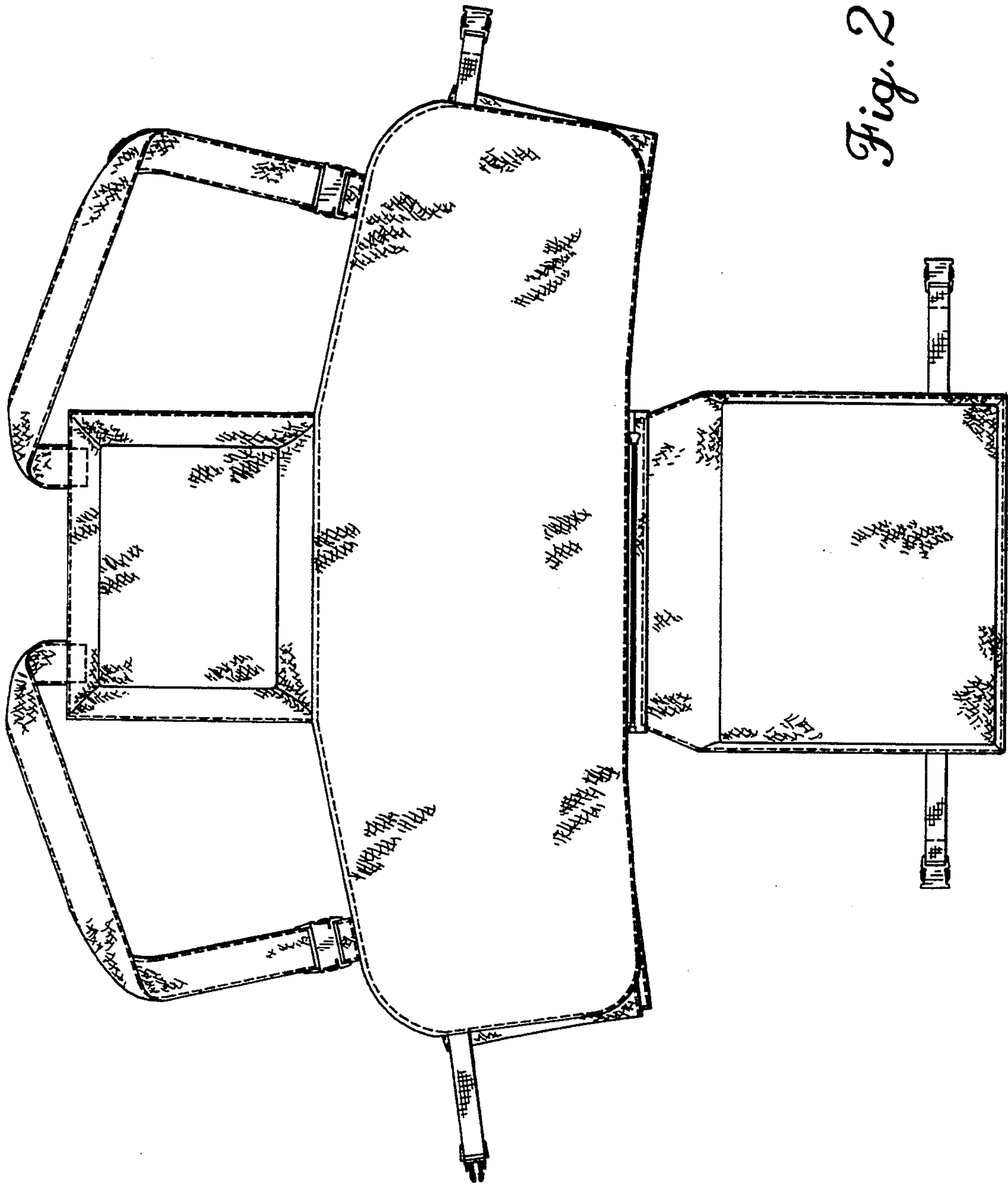
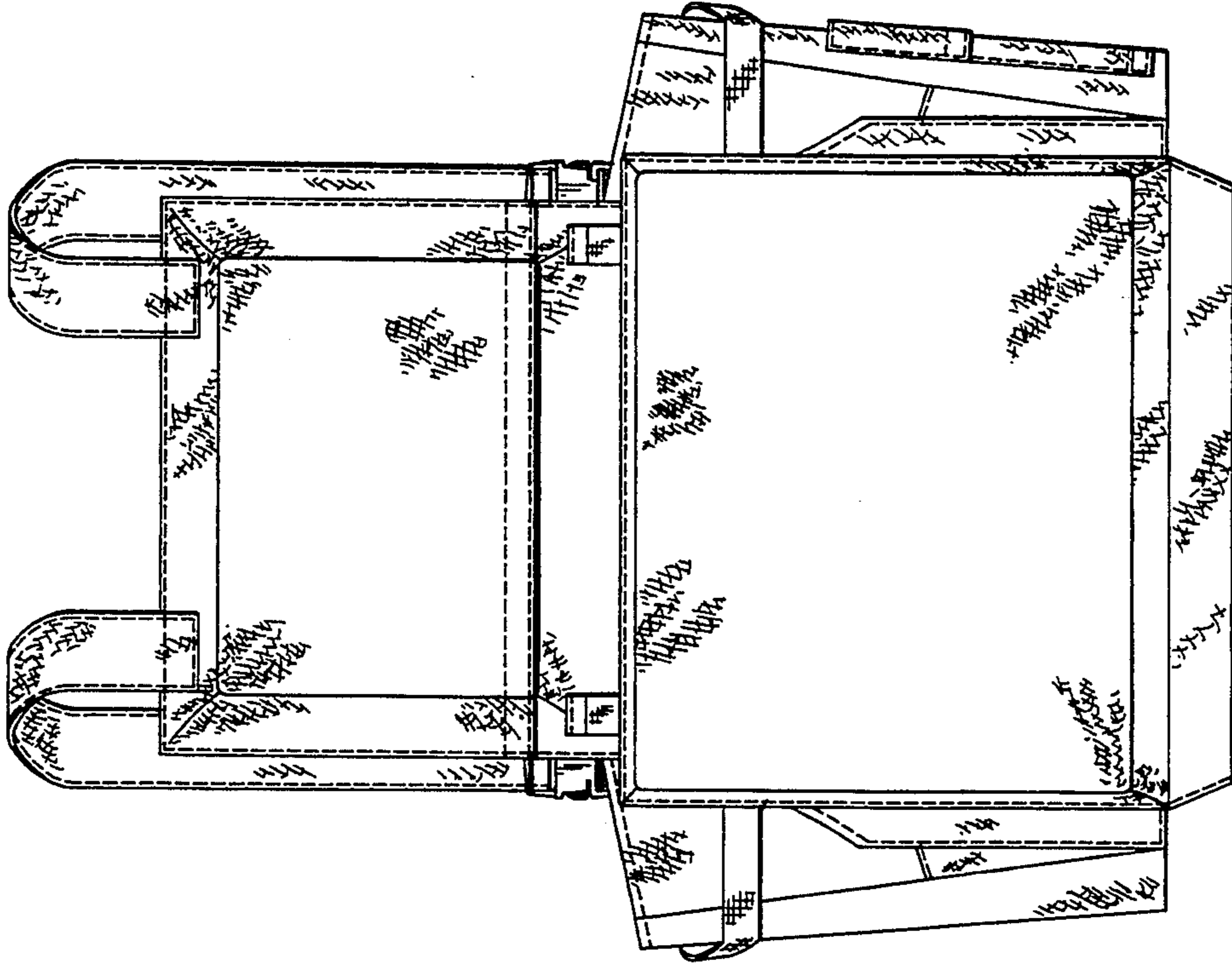
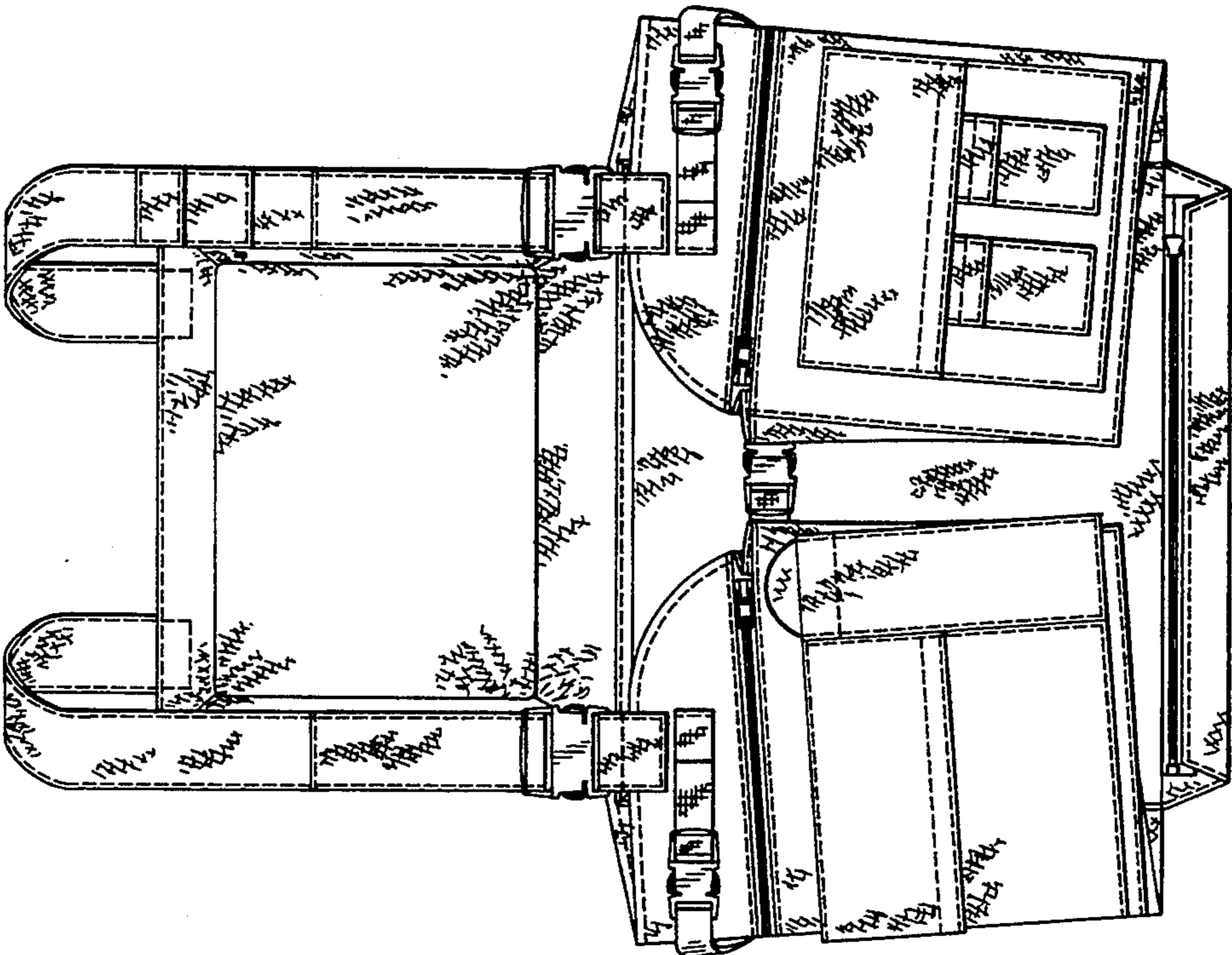


Fig. 1.





*Fig. 4.*



*Fig. 3.*