



US00D352804S

United States Patent [19]

[11] Patent Number: **Des. 352,804**

Bland, Jr.

[45] Date of Patent: **** Nov. 22, 1994**

[54] **PET COLLAR**

[76] Inventor: **Charles Bland, Jr.**, 1041 Carson Dr.,
Huntingtown, Md. 20639

[**] Term: **14 Years**

[21] Appl. No.: **12,707**

[22] Filed: **Sep. 8, 1993**

[52] U.S. Cl. **D30/152**

[58] Field of Search 119/861, 856, 863, 702,
119/865, 792, 858, 793, 798, 795, 797, 770;
24/16 R, 17 AP, 30.5 P; D2/624, 627, 636;
D30/151-153

[56] **References Cited**

U.S. PATENT DOCUMENTS

D. 213,972	4/1969	Anderson	D2/627
D. 214,736	7/1969	Anderson	D30/152
D. 322,871	12/1991	Heyman et al.	D30/152
3,310,852	3/1967	Flanders	24/16 R
4,019,463	4/1977	Kitchen	119/793
4,031,859	6/1977	Stewart	119/865
5,046,456	9/1991	Heyman et al.	119/863
5,103,534	4/1992	Caveney	24/16 R
5,176,106	1/1993	Casto et al.	119/865
5,197,164	3/1993	Meier	24/17 AP

FOREIGN PATENT DOCUMENTS

2305626	7/1974	France	24/17 AP
1788	of 1874	United Kingdom	119/863
980863	1/1965	United Kingdom	119/863

OTHER PUBLICATIONS

Latigo Dog Collar from Omaha Vaccine Company
Catalog; Spring 1985; p. 107.

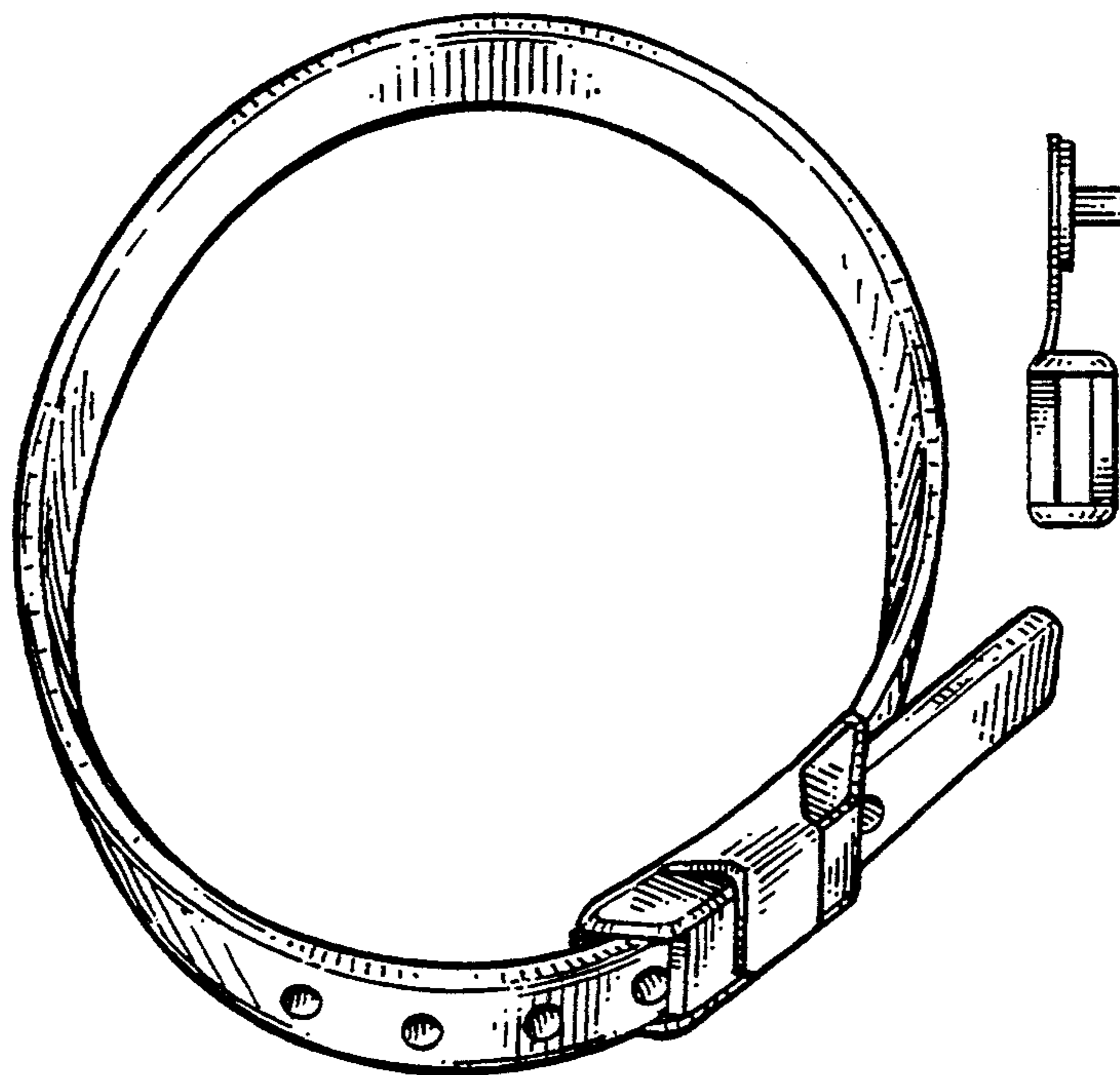
Primary Examiner—Cathy Anne MacCormac
Attorney, Agent, or Firm—Gay Ann Spahn

[57] CLAIM

The ornamental design for a pet collar, as shown and described.

DESCRIPTION

FIG. 1 is a top, front and right side perspective view of a pet collar shown in its fastened position;
 FIG. 2 is a front view of the pet collar shown in its unfastened position;
 FIG. 3 is a back view thereof;
 FIG. 4 is a top view thereof;
 FIG. 5 is a bottom view thereof;
 FIG. 6 is a left side view thereof; and,
 FIG. 7 is a right side view thereof.
 FIGS. 2, 3, 4 and 5 are broken away to show indeterminate length.



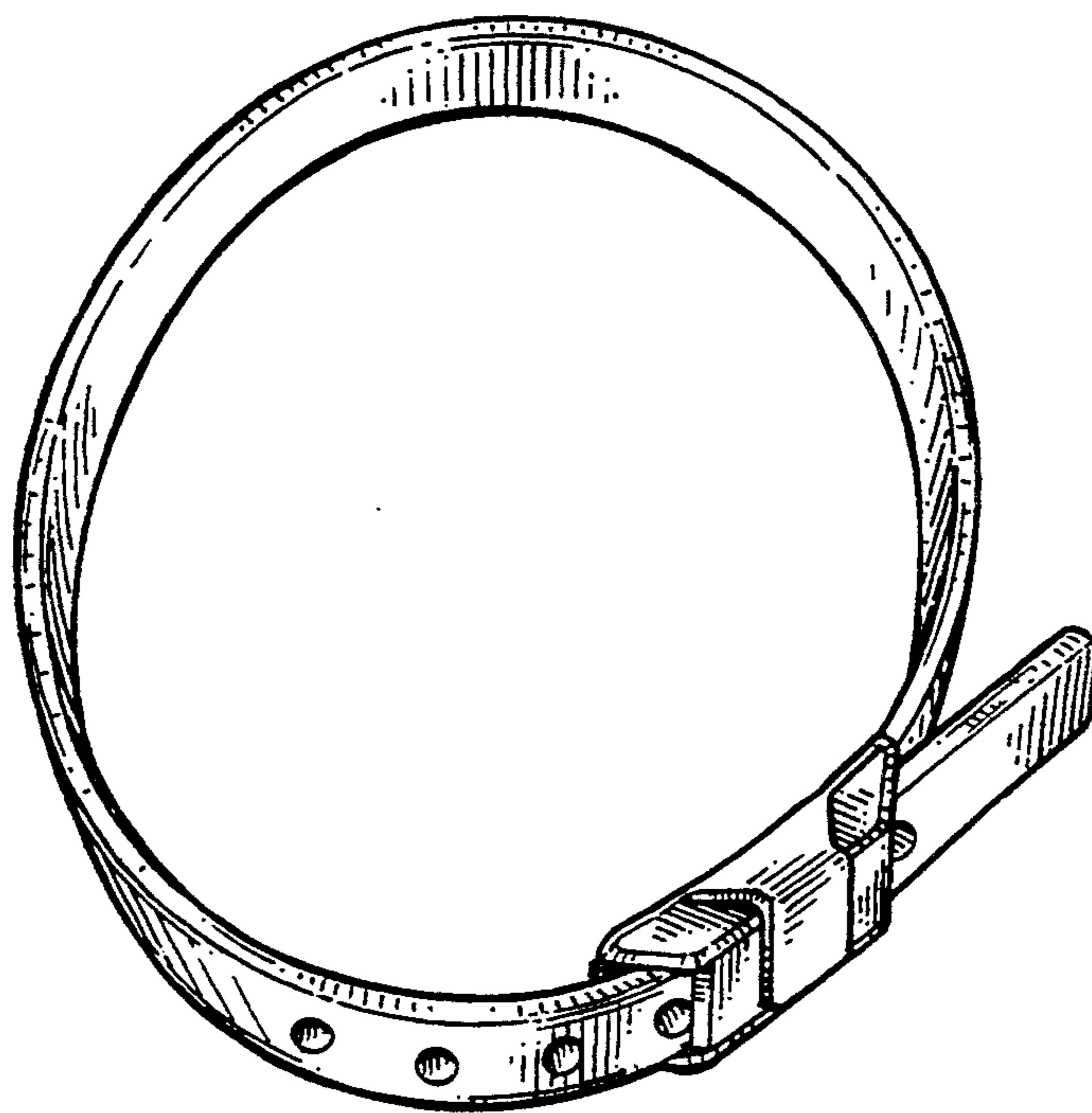


FIG. 1



FIG. 6



FIG. 7

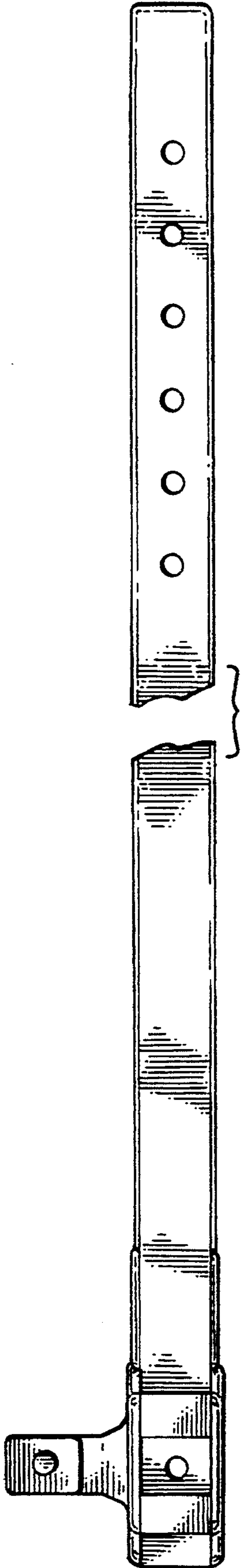


FIG. 2

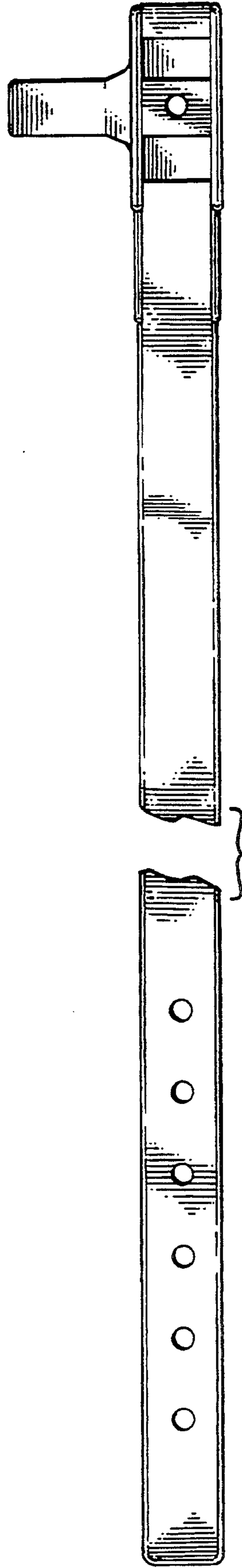


FIG. 3

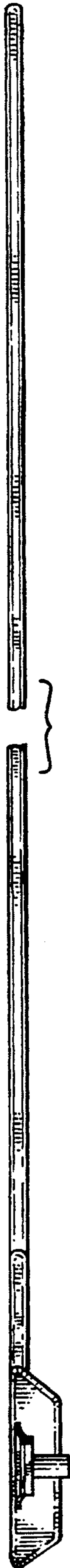


FIG. 4

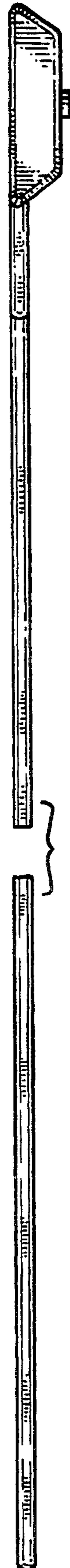


FIG. 5