



US00D352797S

United States Patent [19]

[11] Patent Number: Des. 352,797

Mehaffey

[45] Date of Patent: ** Nov. 22, 1994

[54] WALL MOUNTED LIGHTING FIXTURE

[75] Inventor: David E. Mehaffey, Vicksburg, Miss.

[73] Assignee: Cooper Industries, Inc., Houston, Tex.

[**] Term: 14 Years

[21] Appl. No.: 9,503

[22] Filed: Jun. 15, 1993

[52] U.S. Cl. D26/85

[58] Field of Search 362/147, 432, 404-408; D26/72, 80-92, 122, 123

[56] References Cited

U.S. PATENT DOCUMENTS

D. 186,185	9/1959	Benjamin	D26/122
D. 216,151	11/1969	Cox	D26/123
D. 237,402	10/1975	Leung	D26/85
D. 286,579	11/1986	Pugh et al.	D26/85
D. 293,031	12/1987	Schwartz	D26/123 X
3,745,327	7/1973	Lowery et al.	D26/80 X
4,302,798	11/1981	Sit	362/147
4,633,377	12/1986	Mackiewicz	362/408 X

OTHER PUBLICATIONS

Light & Lighting, Mar. 1954, p. XXI, Diopal Wall Lamp.

Multiworld Lighting Lamp Catalog, 1989, ceiling lamp UFO/A.

Primary Examiner—Susan J. Lucas

Attorney, Agent, or Firm—Burns, Doane, Swecker & Mathis

[57] CLAIM

The ornamental design for a wall mounted lighting fixture, as shown and described.

DESCRIPTION

FIG. 1 is a front elevational view of a circular wall mounted lighting fixture with a prismatic lens, showing my new design;

FIG. 2 is a side elevational view of FIG. 1;

FIG. 3 is a front elevational view of a circular wall mounted lighting fixture with a non-prismatic lens, showing my new design;

FIG. 4 is a side elevational view of FIG. 3;

FIG. 5 is a front elevational view of a square wall mounted lighting fixture with a prismatic lens, showing my new design;

FIG. 6 is a side elevational view of FIG. 5;

FIG. 7 is a front elevational view of a square wall mounted lighting fixture with a non-prismatic lens, showing my new design;

FIG. 8 is a side elevational view of FIG. 7;

FIG. 9 is a front elevational view of an oblong wall mounted lighting fixture having a prismatic lens, showing my new design;

FIG. 10 is a side elevational view of FIG. 9;

FIG. 11 is an end elevational view of FIG. 9;

FIG. 12 is a front elevational view of an oblong wall mounted lighting fixture having a non-prismatic lens, showing my new design;

FIG. 13 is a side elevational view of FIG. 12; and,

FIG. 14 is an end elevational view of FIG. 12.

The rear of each of the above depicted embodiments is flat and unornamented and is not visible when the lighting fixture is mounted.

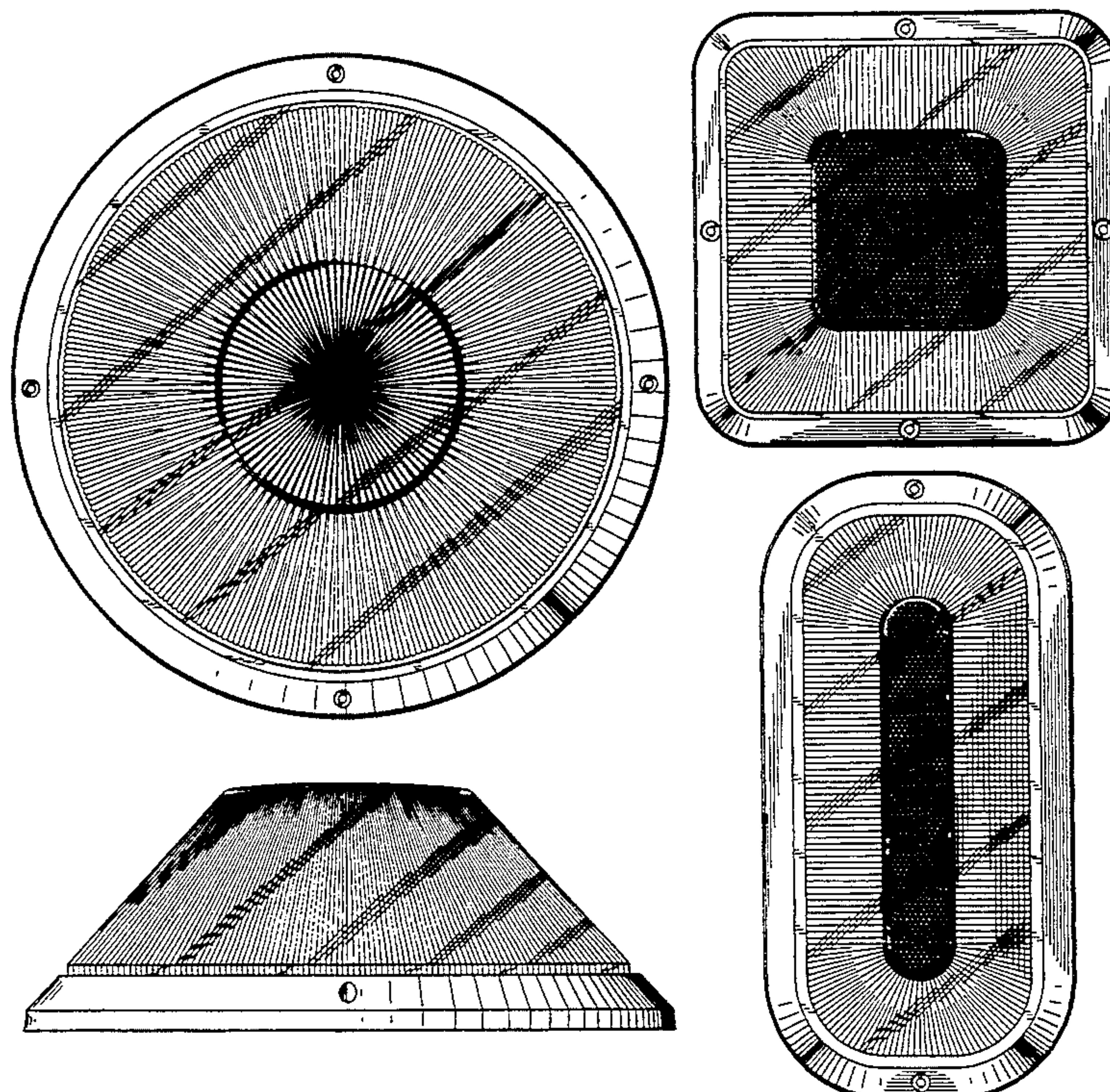


FIG. 1

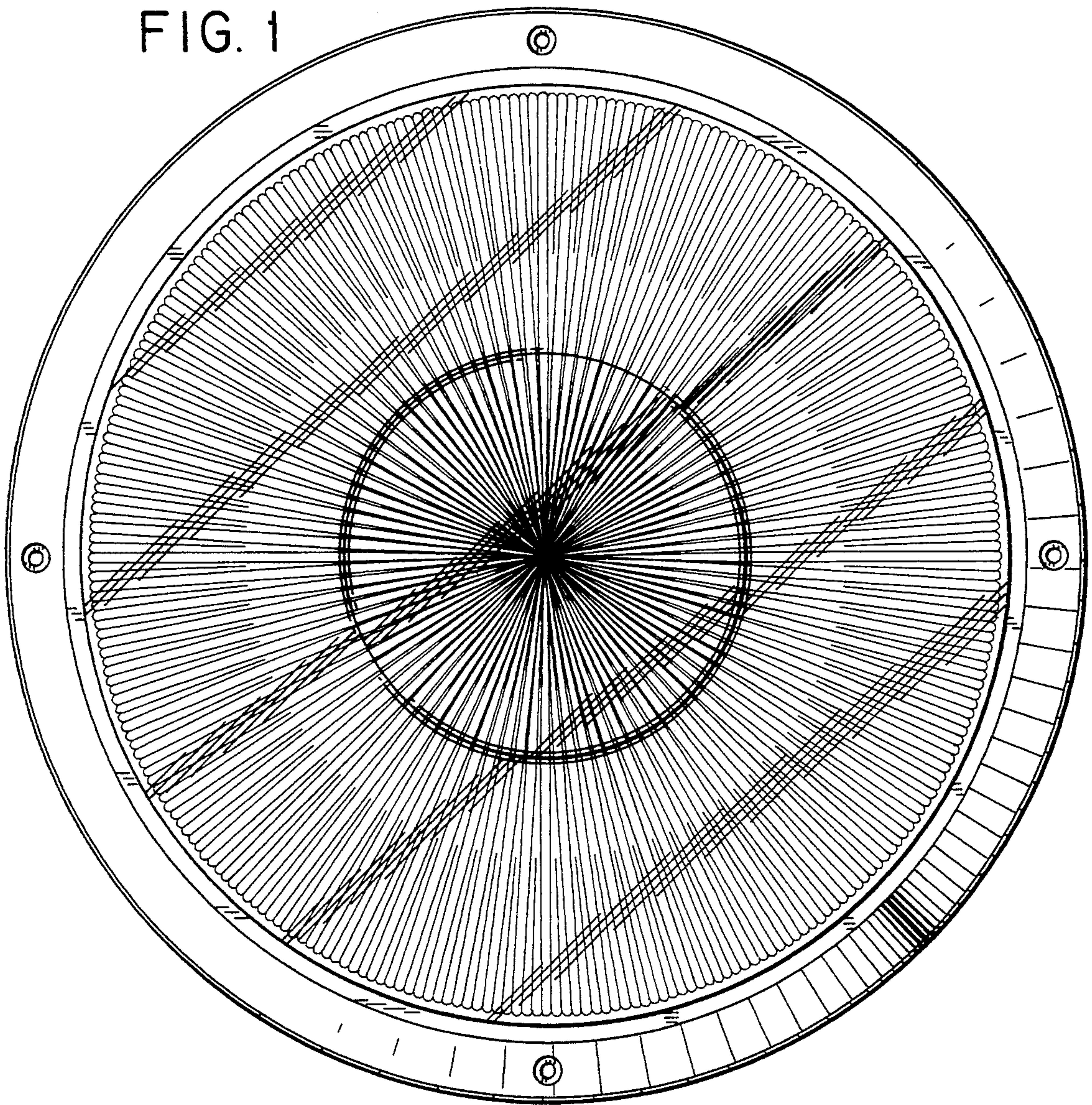


FIG. 2

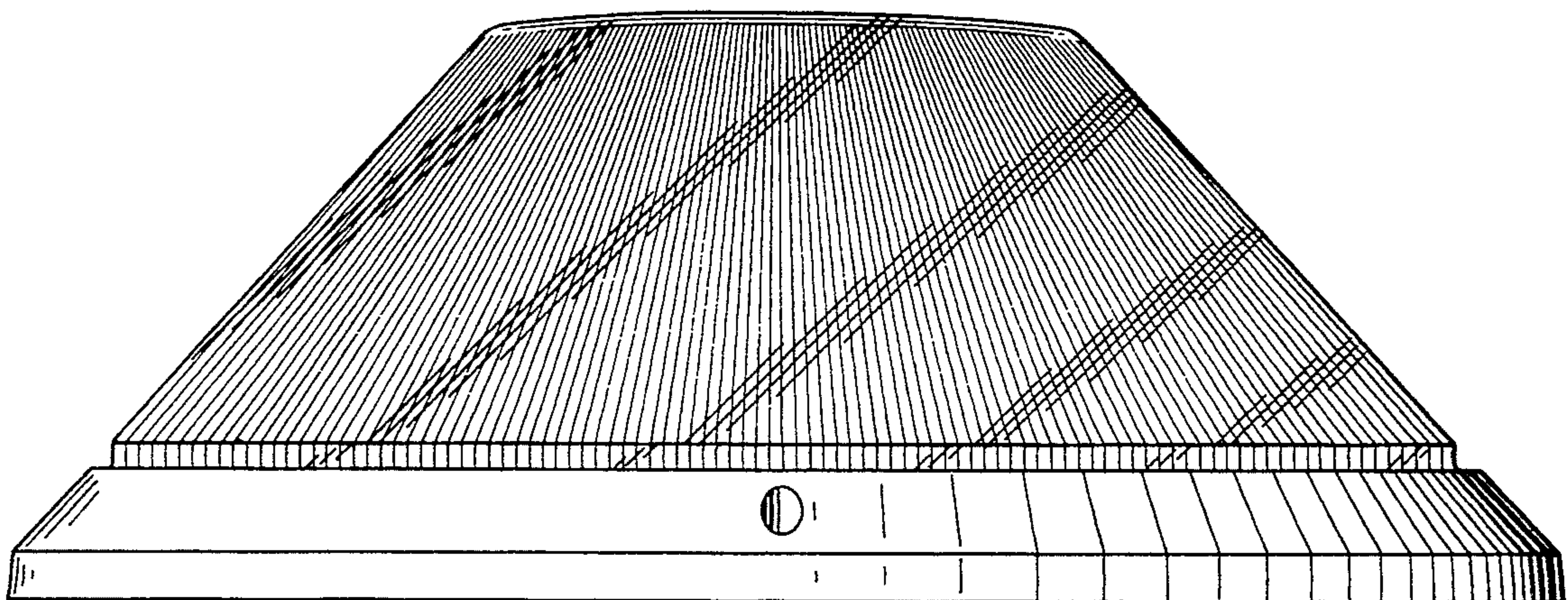


FIG. 3

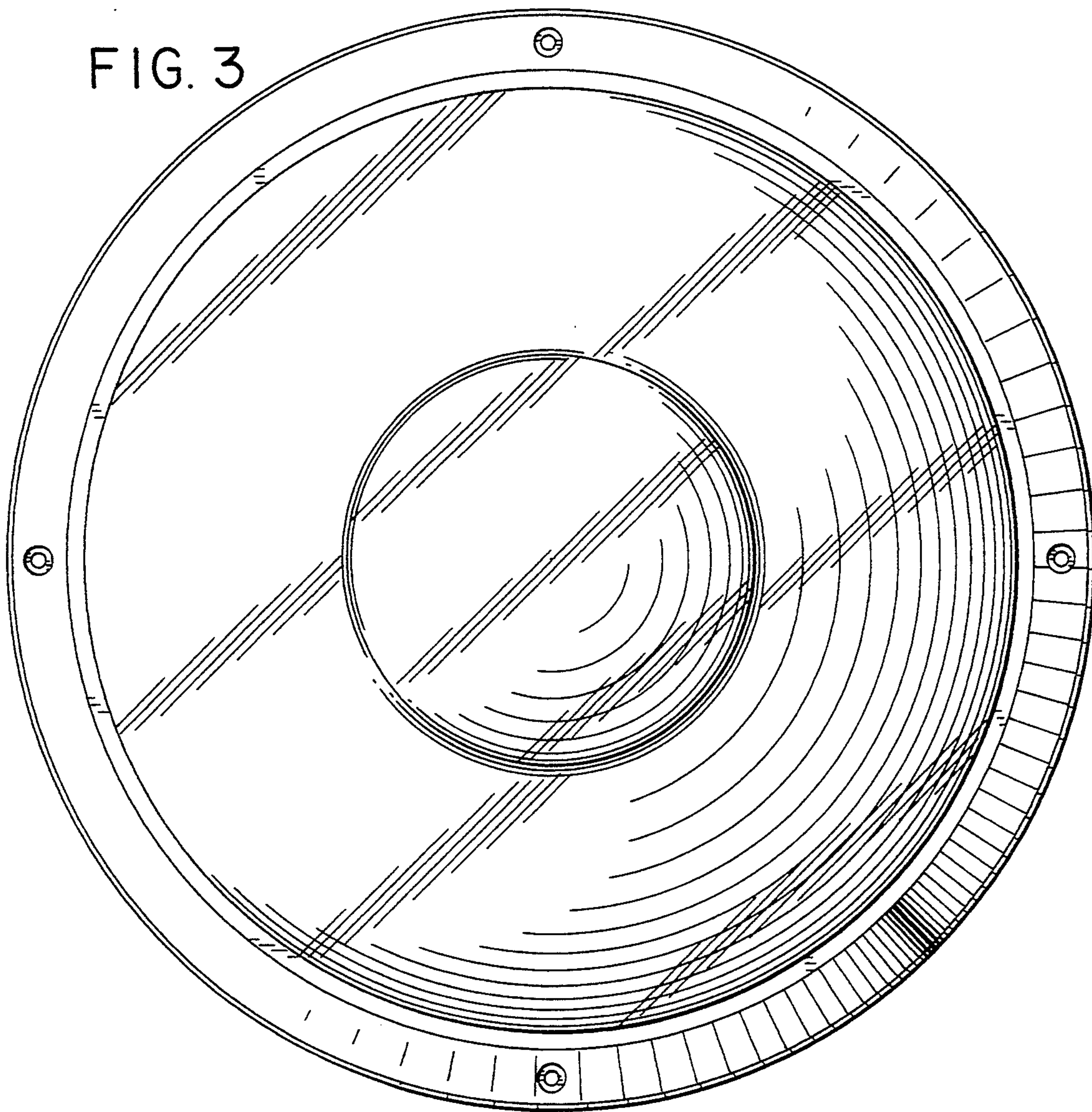


FIG. 4

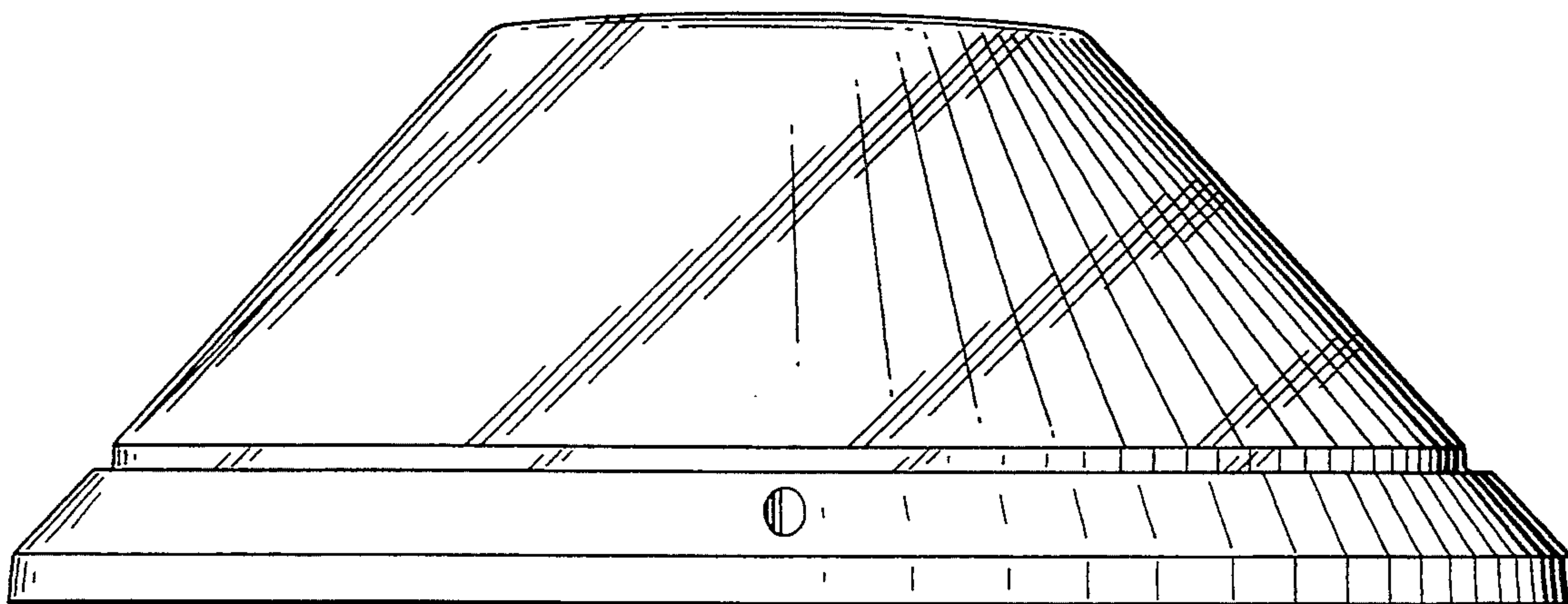


FIG. 5

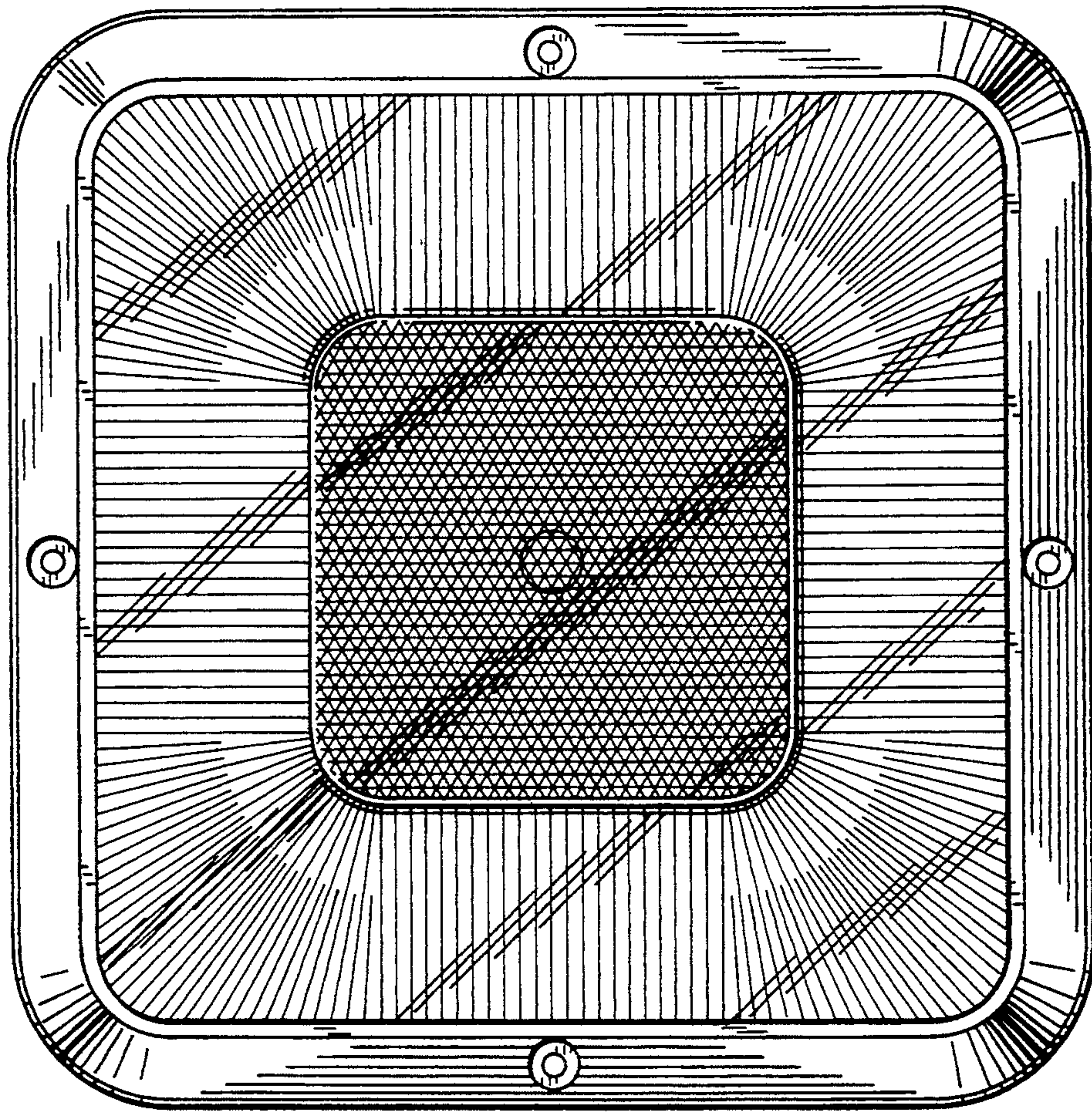


FIG. 6

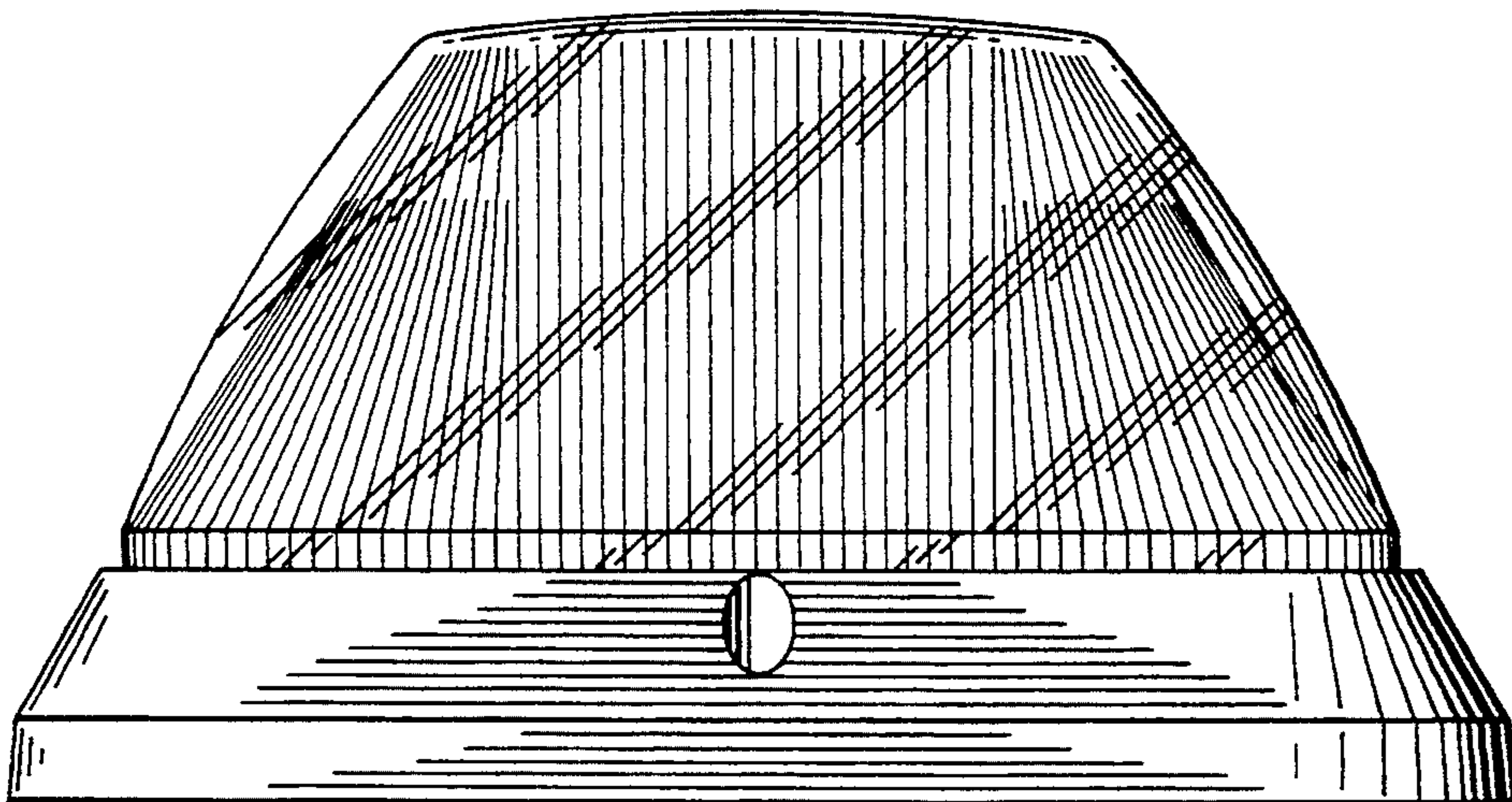


FIG. 7

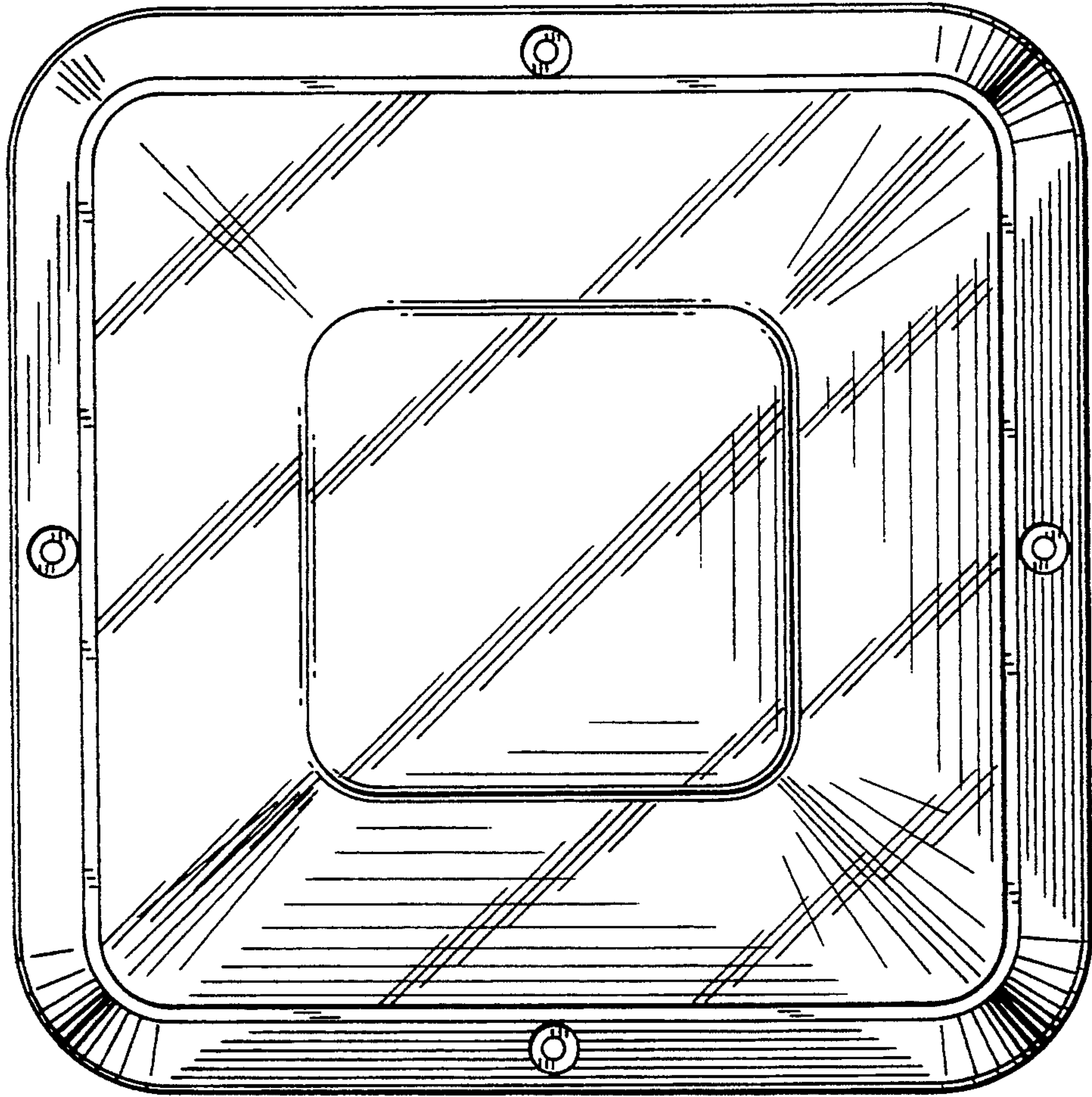


FIG. 8

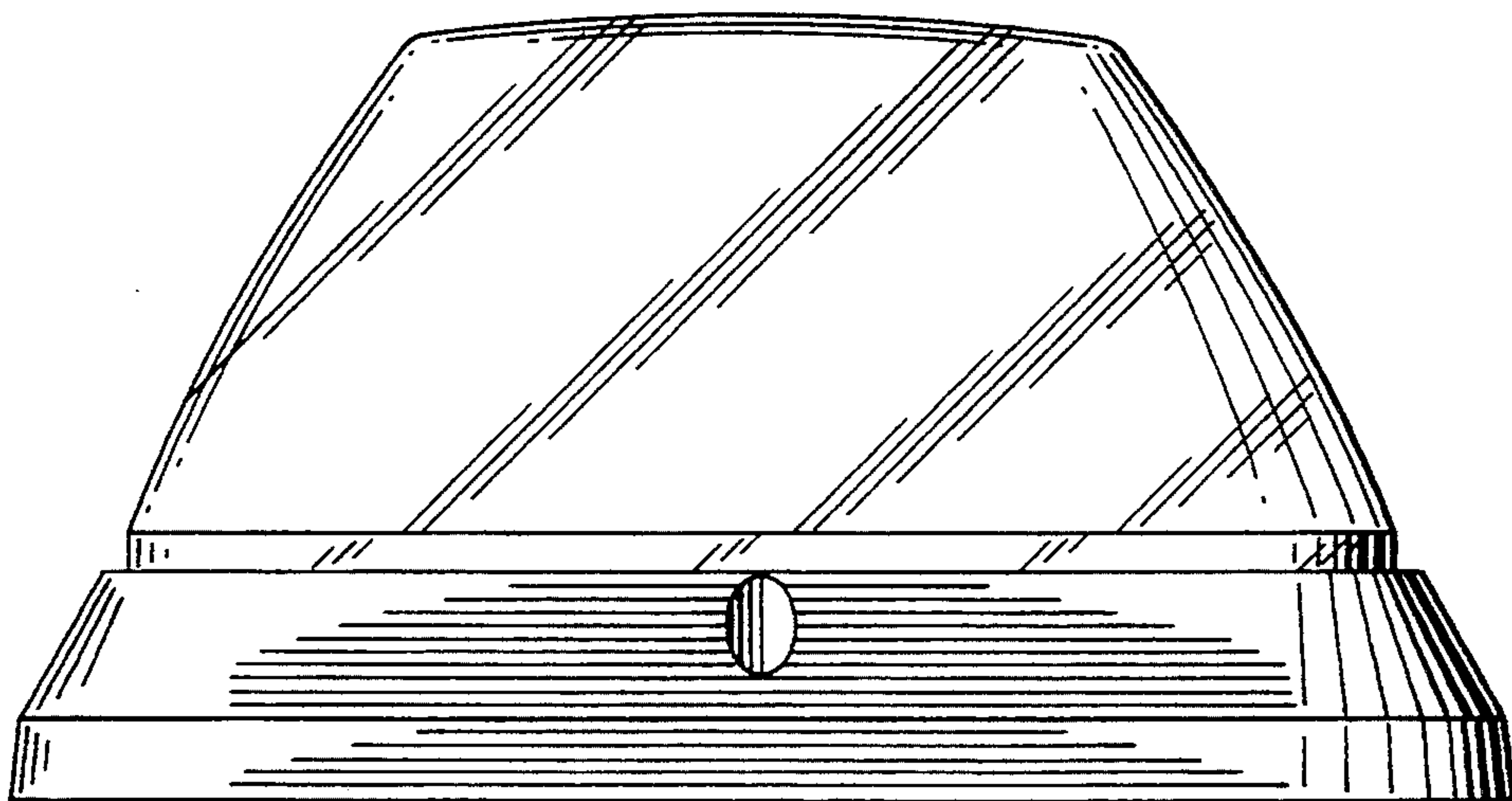


FIG. 9

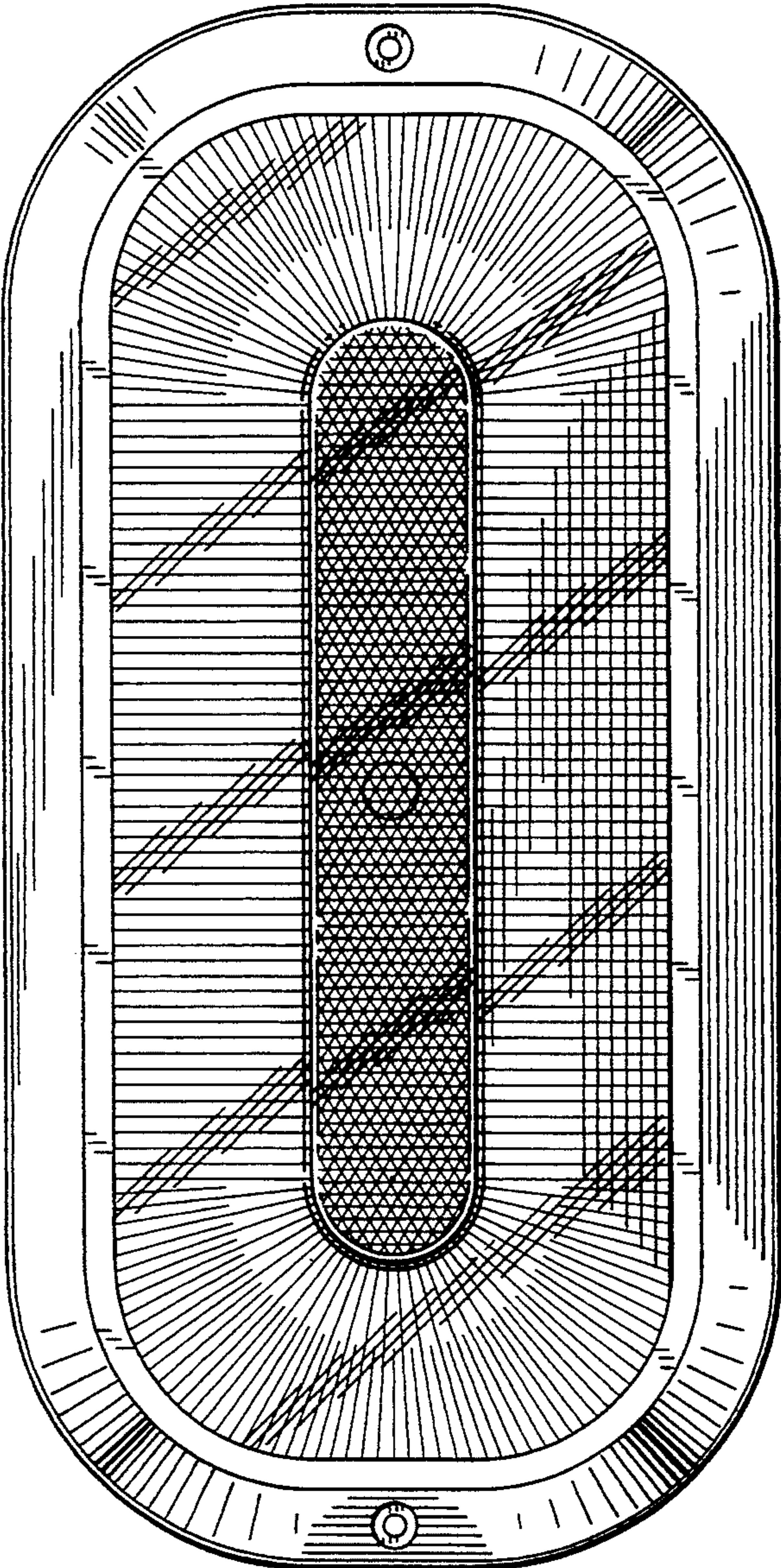


FIG. 10

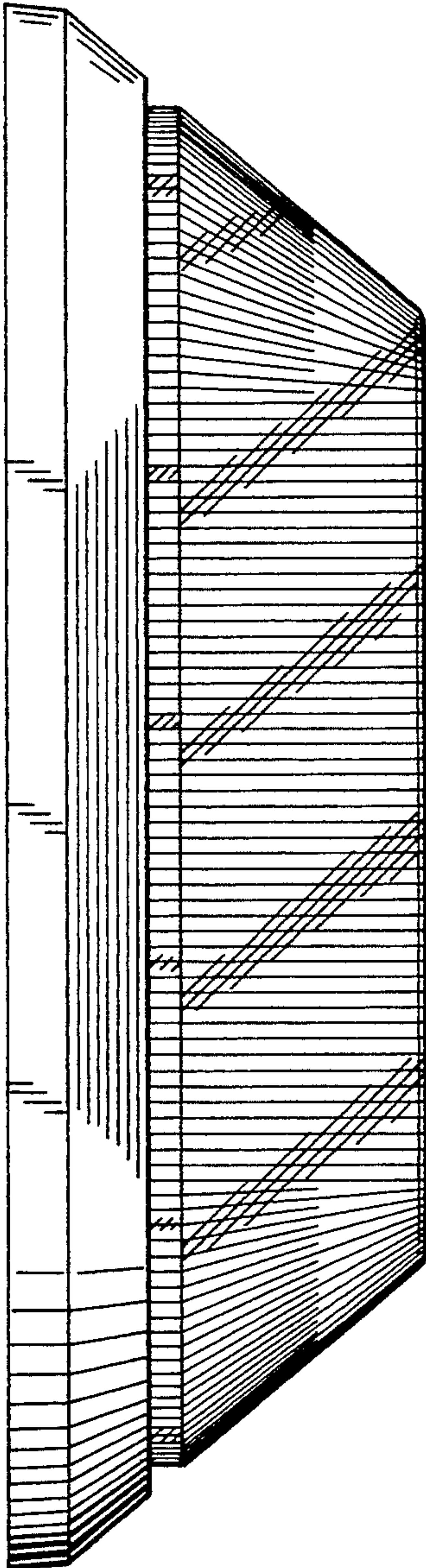


FIG. 11

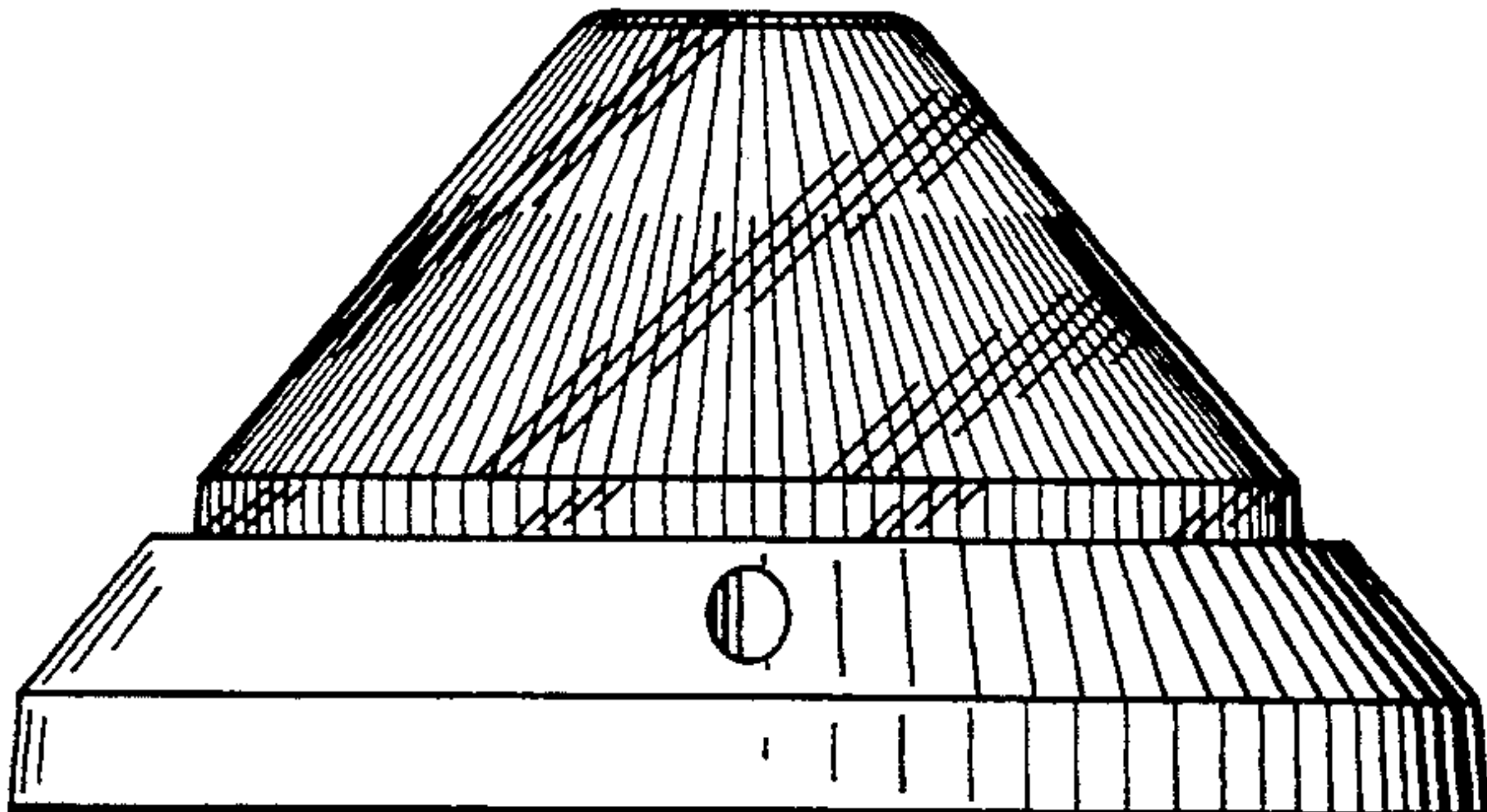


FIG. 12

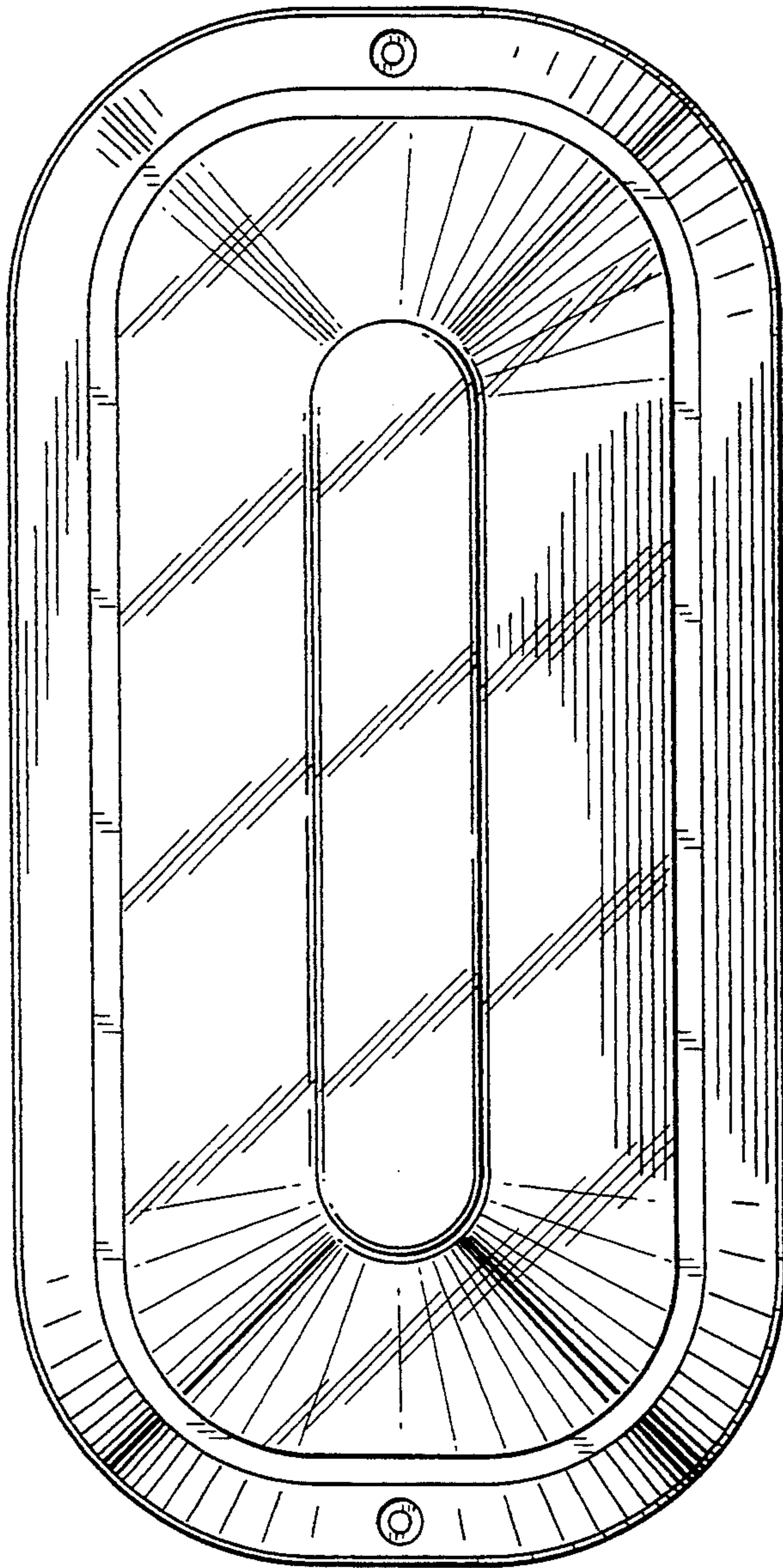


FIG. 13

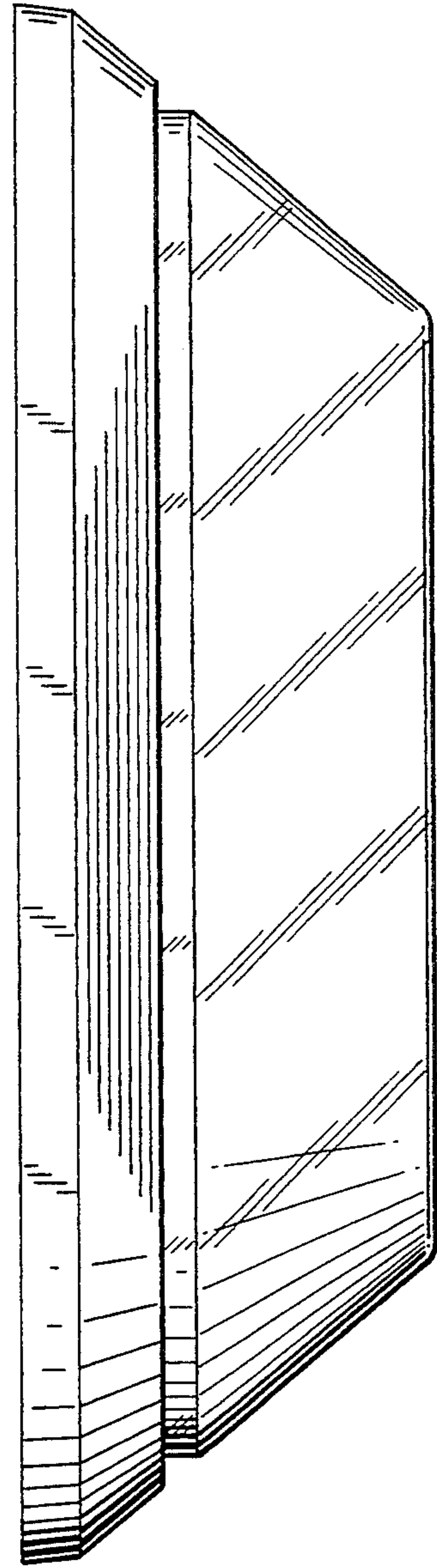


FIG. 14

