



US00D352795S

# United States Patent [19]

Wu

[11] Patent Number: Des. 352,795

[45] Date of Patent: \*\* Nov. 22, 1994

## [54] REVOLVING STAGE LIGHT

[76] Inventor: Wen-Chong Wu, 4 Fl., No. 37, Lane 111, Kang Leh St., Nei Hu Dist. Taipei, Taiwan, Prov. of China

[\*\*] Term: 14 Years

[21] Appl. No.: 3,336

[22] Filed: Jan. 4, 1993

[52] U.S. Cl. .... D26/61; D26/110

[58] Field of Search ..... 362/418, 419, 269, 35, 362/806, 811, 410, 411, 412, 413, 414; D26/63, 61, 62, 65, 93, 24

### [56] References Cited

#### U.S. PATENT DOCUMENTS

2,288,177	6/1942	Bailey	362/35
3,179,791	4/1965	Mole	362/35 X
4,298,911	11/1981	Headrick	362/35

### FOREIGN PATENT DOCUMENTS

94995 3/1939 Sweden ..... 362/35

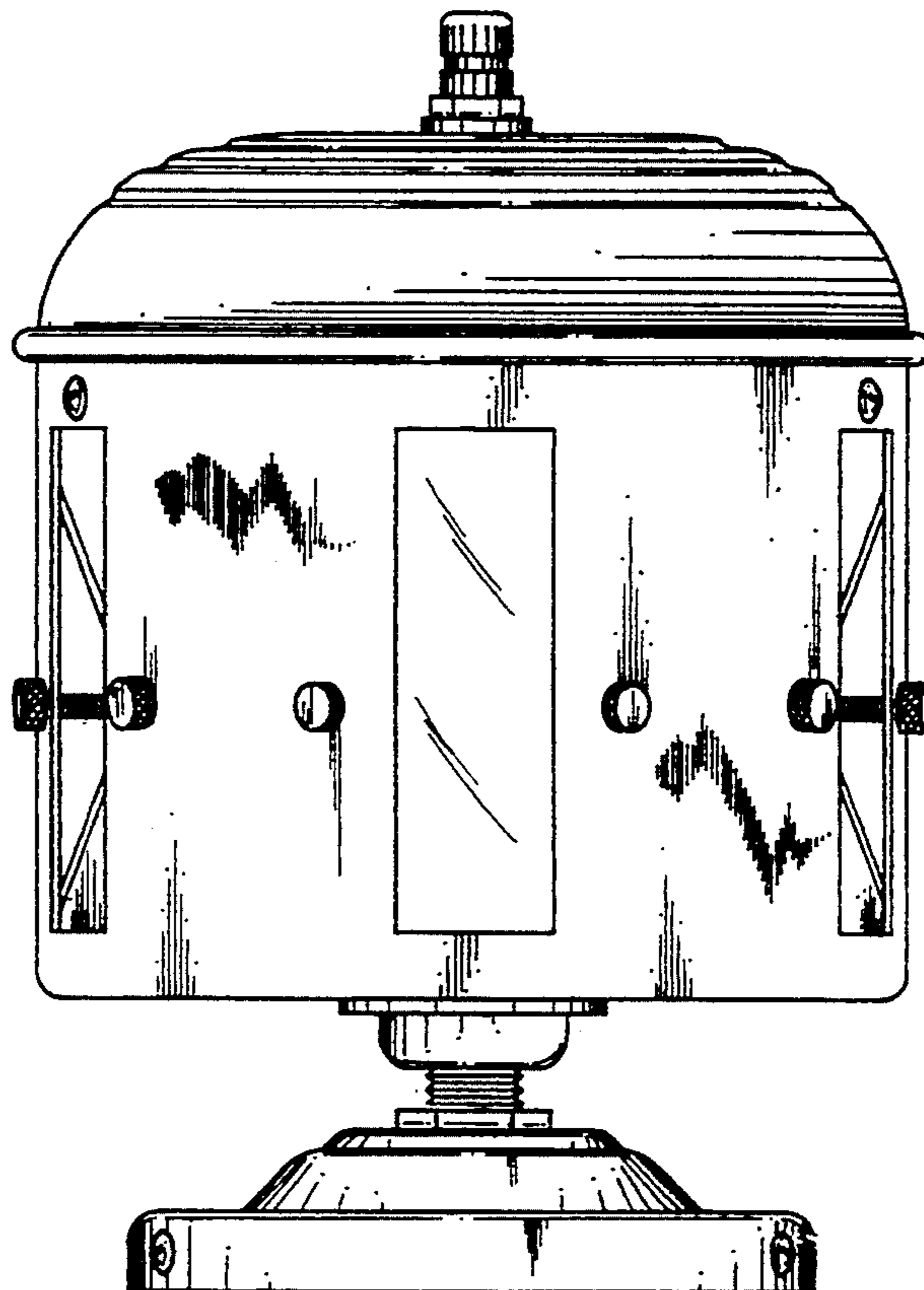
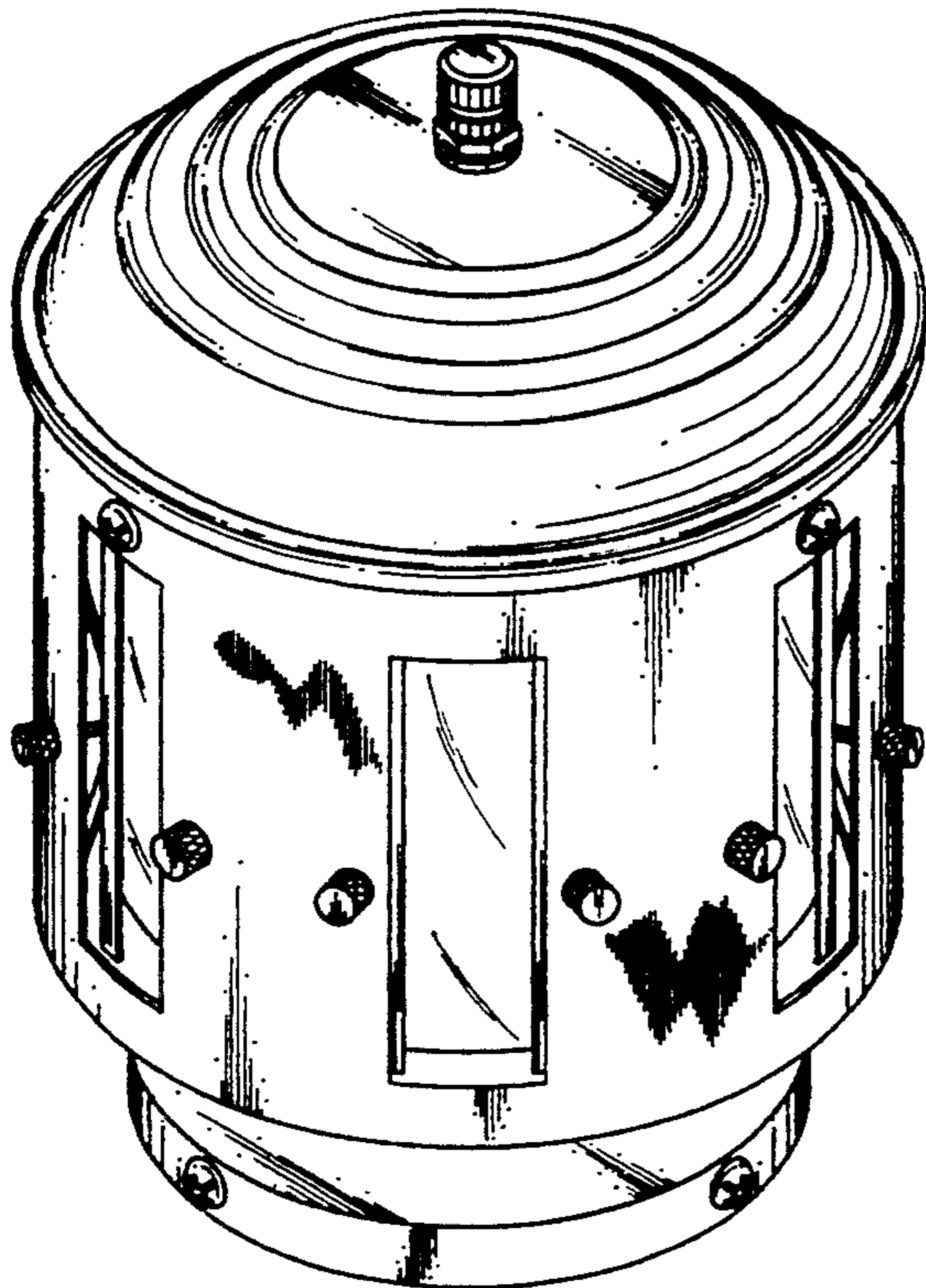
Primary Examiner—Susan J. Lucas  
Attorney, Agent, or Firm—Bacon & Thomas

### [57] CLAIM

The ornamental design for a revolving stage light, as shown and described.

### DESCRIPTION

FIG. 1 is a perspective view of a revolving stage light taken from above and one side showing my new design; FIG. 2 is a front elevational view thereof; FIG. 3 is a left side elevational view thereof; and the right side elevational view being the mirror image thereof; FIG. 4 is a top plan view thereof; and, FIG. 5 is a bottom plan view thereof.



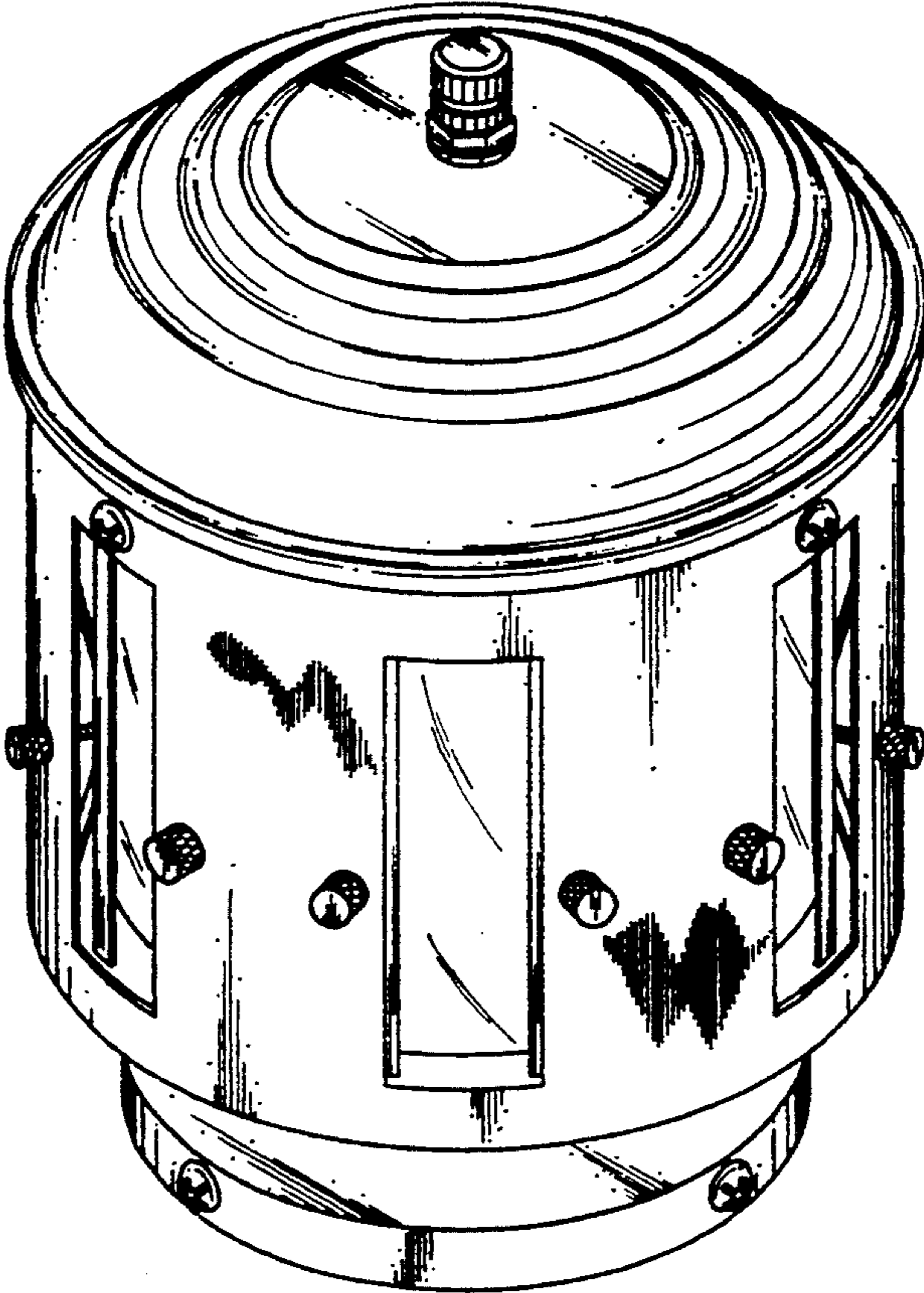


Fig. 1

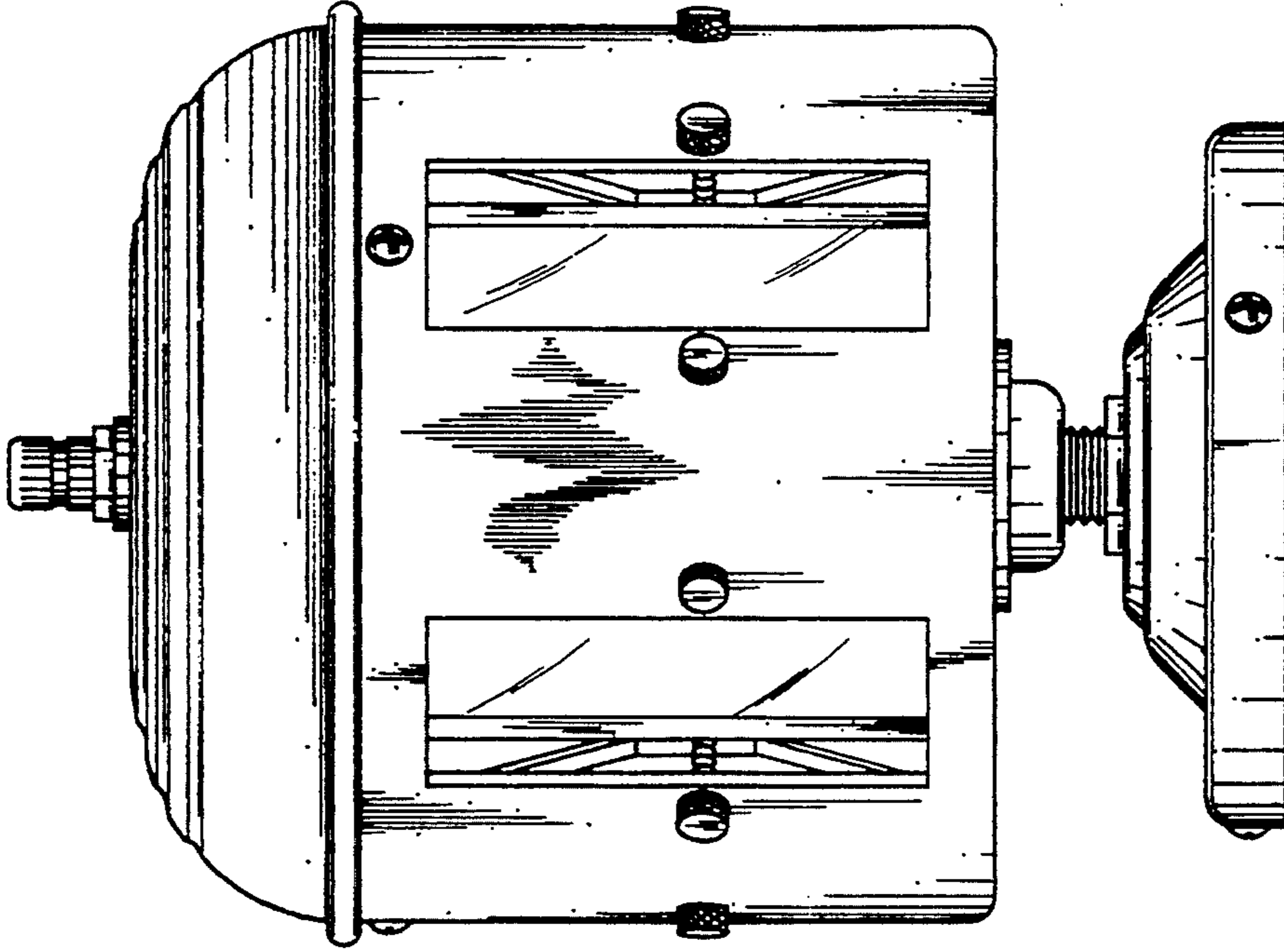


Fig. 3

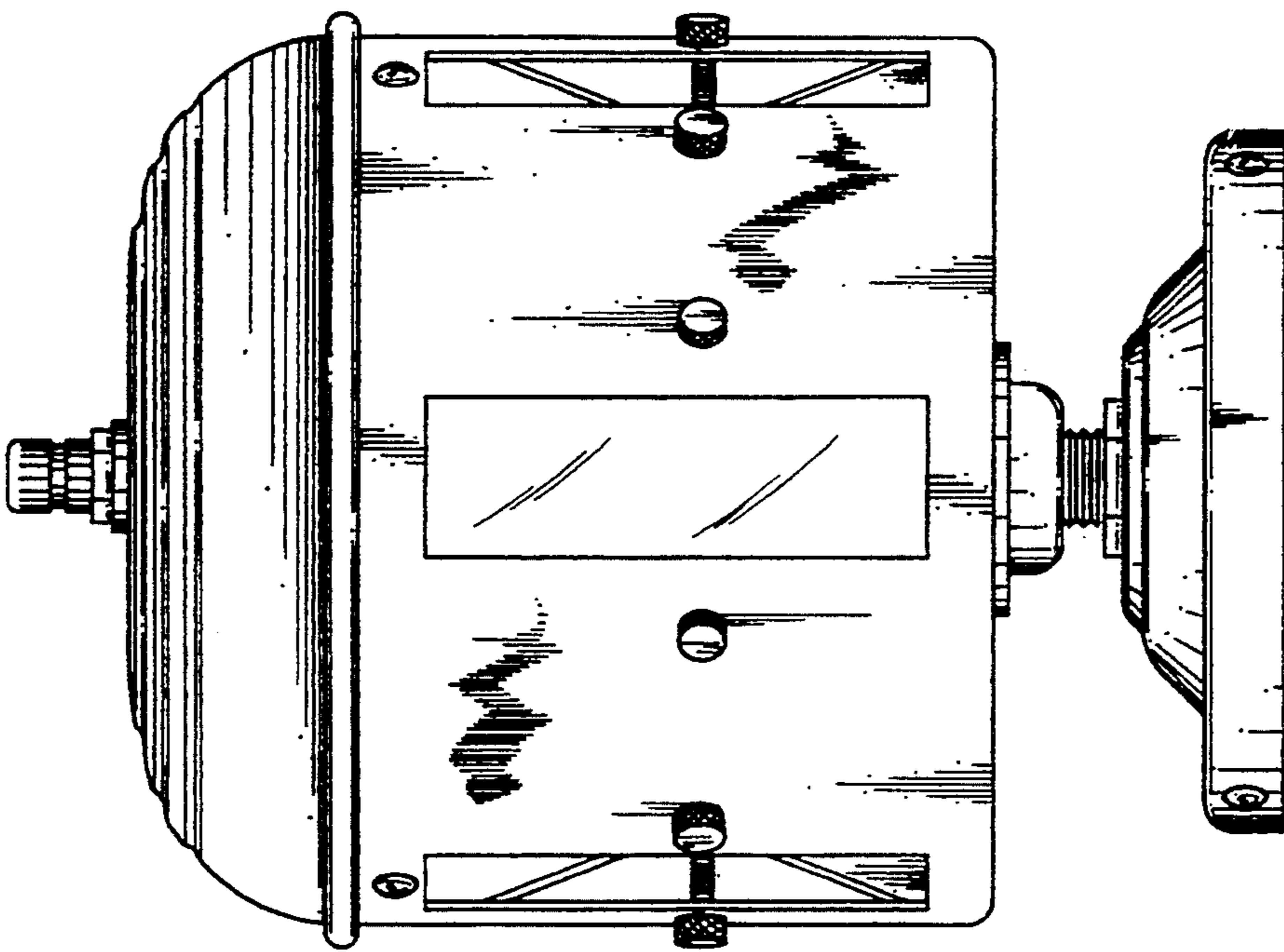


Fig. 2

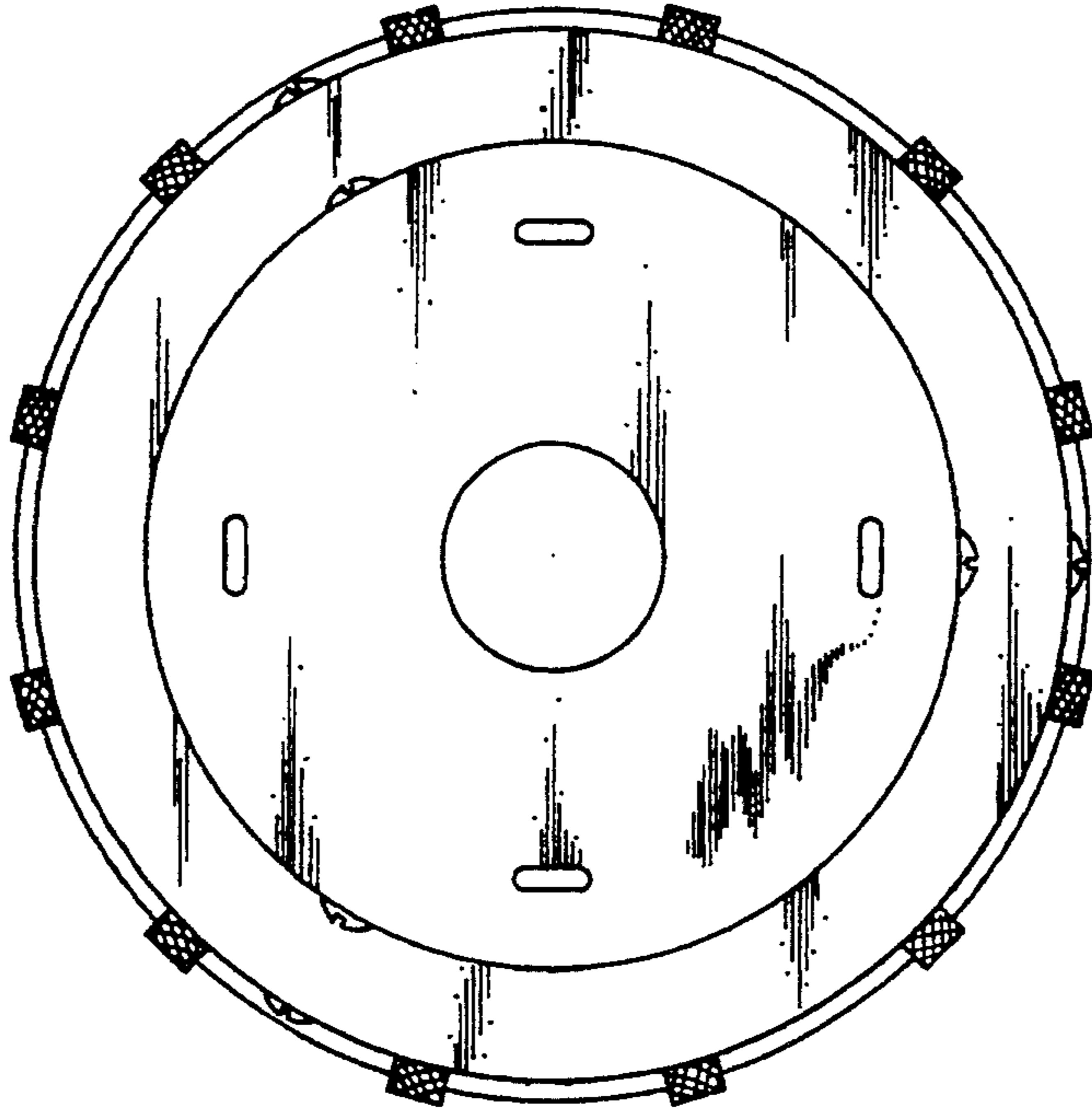


Fig. 5

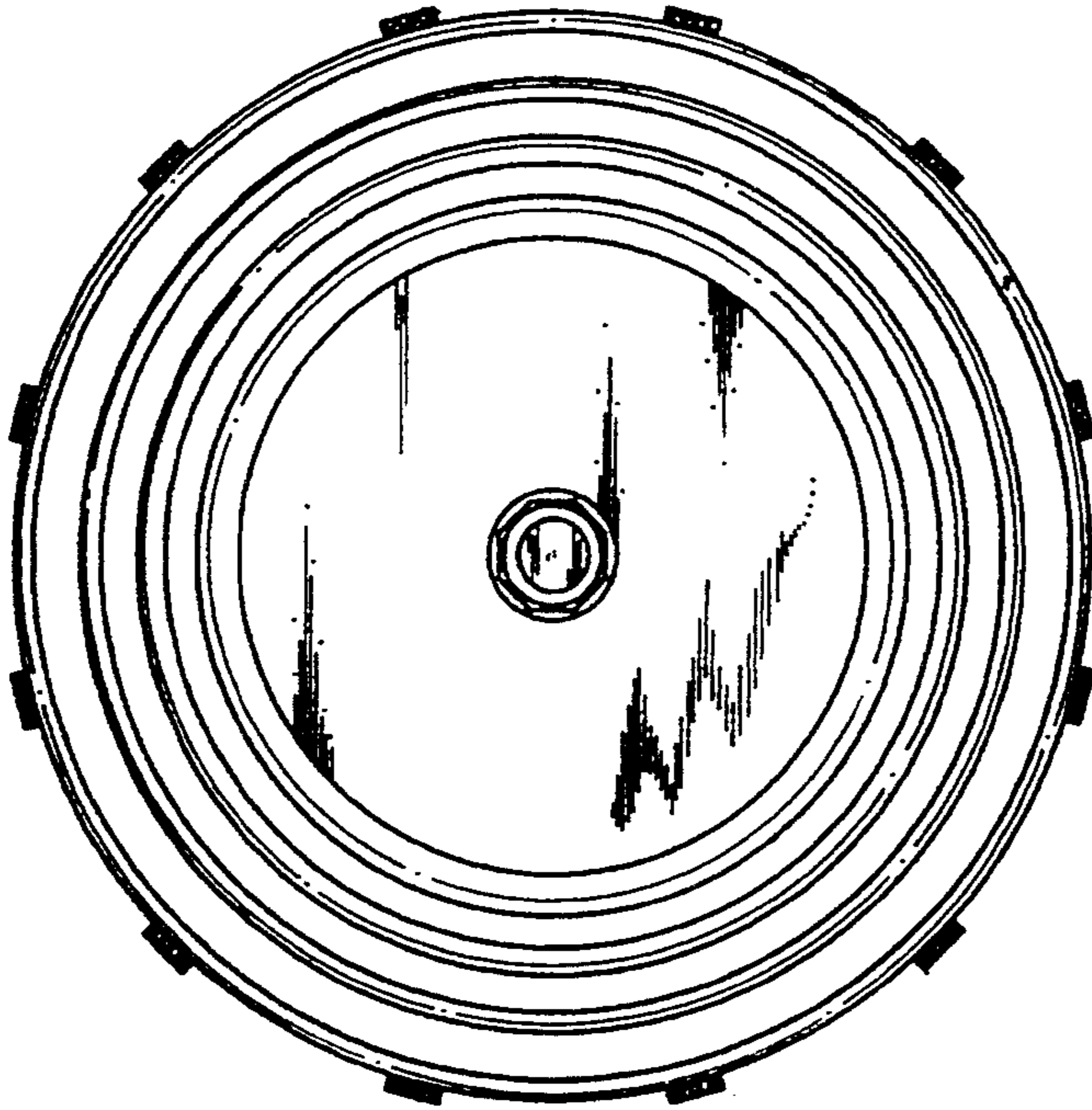


Fig. 4