



US00D352794S

# United States Patent [19]

[11] Patent Number: **Des. 352,794**

**Bamber et al.**

[45] Date of Patent: **\*\* Nov. 22, 1994**

[54] **COMBINED RECHARGEABLE  
FLASHLIGHT AND FLUORESCENT LAMP  
AND BASE THEREFOR**

D. 321,568 11/1991 Yuen ..... D26/42  
D. 344,152 2/1994 Yuen ..... D26/38  
4,903,178 2/1990 Englot et al. .... 362/183  
5,217,297 6/1993 Yuen ..... 362/184

[75] Inventors: **David Bamber; Robert Deines**, both  
of Wichita, Kans.

*Primary Examiner*—Wallace R. Burke  
*Assistant Examiner*—Marcus Jackson  
*Attorney, Agent, or Firm*—Tilton, Fallon, Lungmus &  
Chestnut

[73] Assignee: **The Coleman Company, Inc.**,  
Wichita, Kans.

[\*\*] Term: **14 Years**

### [57] CLAIM

[21] Appl. No.: **2,491**

The ornamental design for a combined rechargeable  
flashlight and fluorescent lamp and base therefor, as  
shown and described.

[22] Filed: **Dec. 21, 1992**

[52] U.S. Cl. .... **D26/37**

### DESCRIPTION

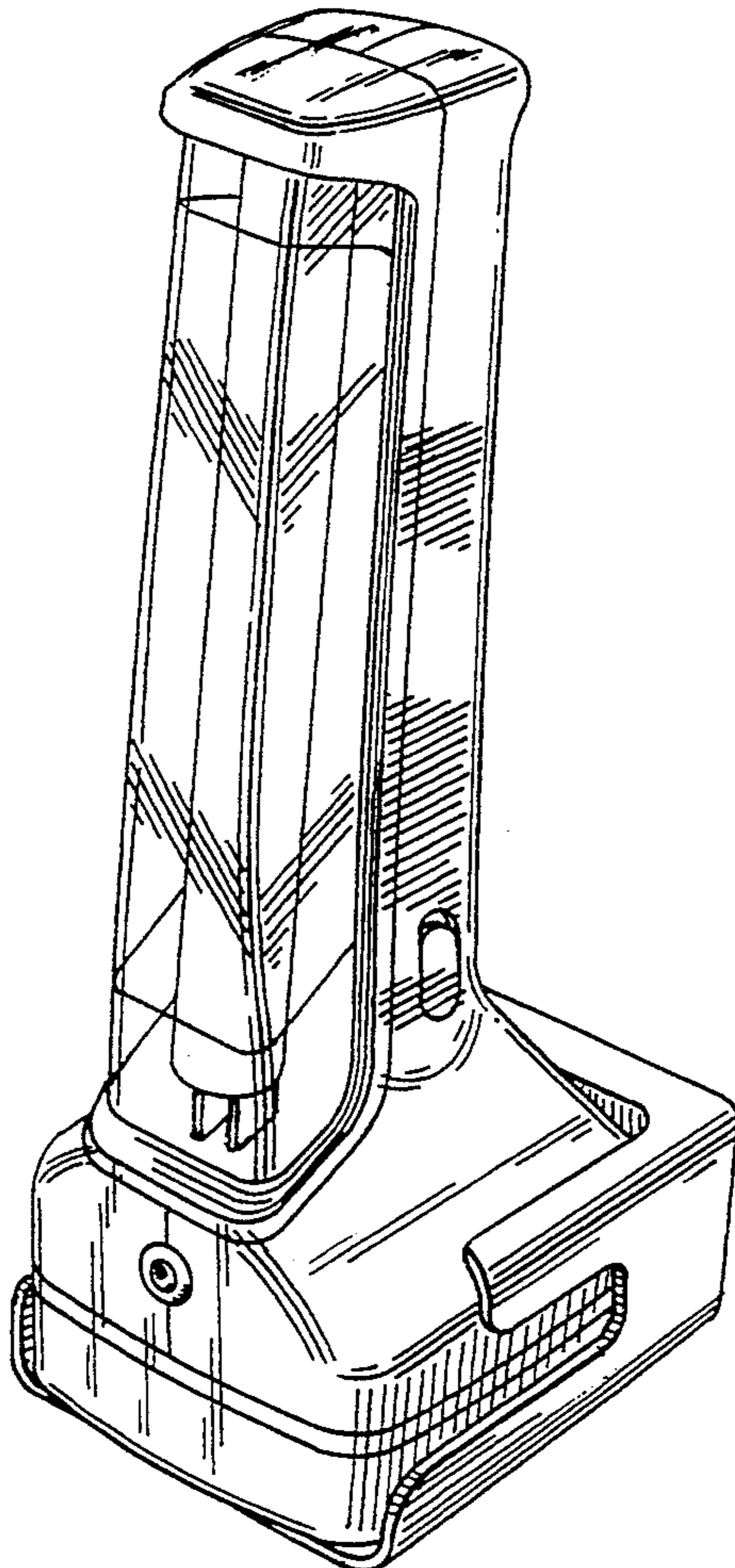
[58] **Field of Search** ..... 362/157, 158, 159, 160,  
362/161, 168, 171, 173, 178, 179, 180, 183, 184,  
186, 197, 198, 201, 202, 203, 204, 205, 206, 207,  
208; D26/37-50

FIG. 1 is a perspective view of a combined recharge-  
able flashlight and fluorescent lamp and base therefor;  
FIG. 2 is a top plan view thereof;  
FIG. 3 is a bottom plan view thereof;  
FIG. 4 is a front elevation view thereof;  
FIG. 5 is a side elevation view thereof;  
FIG. 6 is a rear elevation view thereof;  
FIG. 7 is a side elevation, showing the side opposite the  
one shown in FIG. 5; and,  
FIG. 8 is a perspective view, showing the flashlight and  
bracket apart.

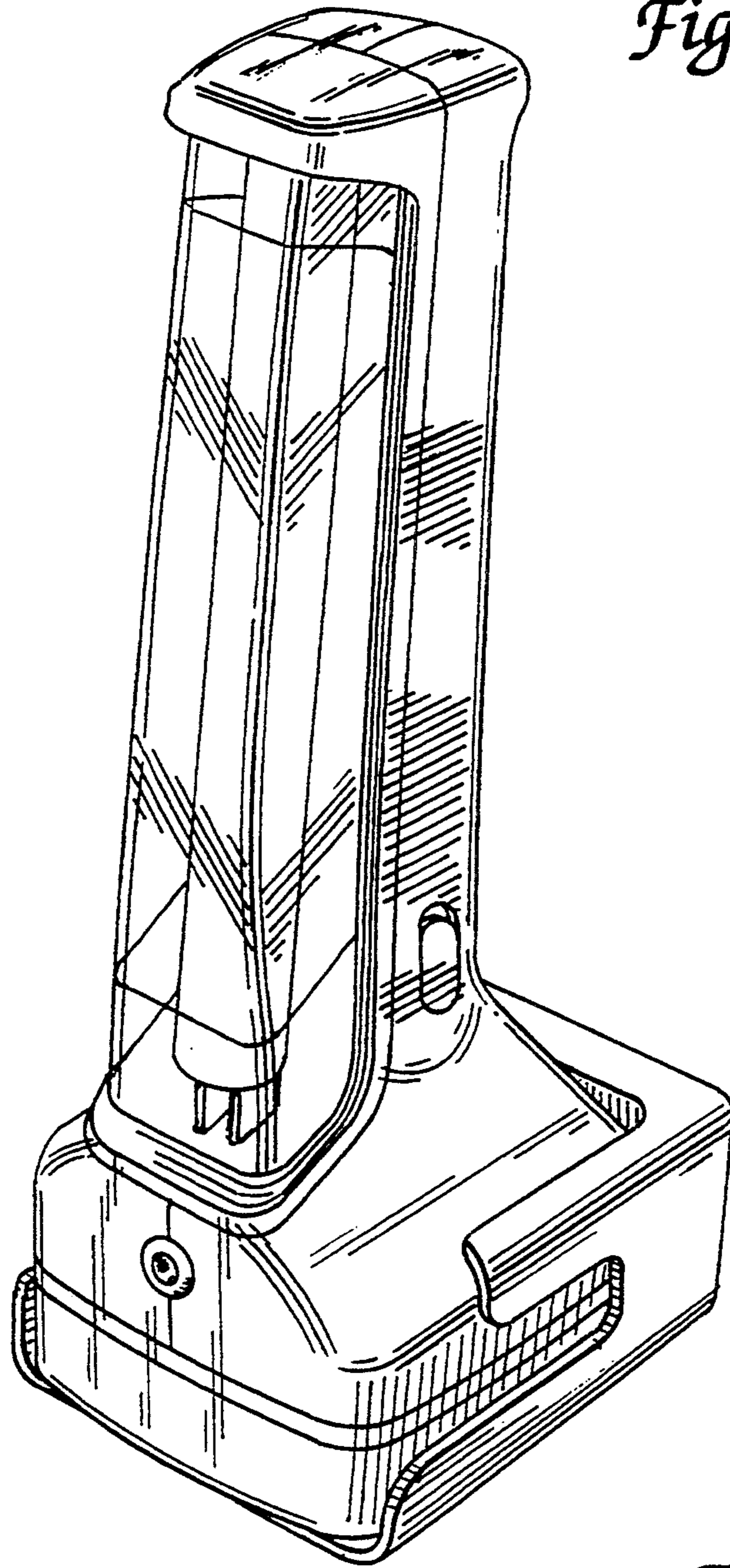
### [56] References Cited

#### U.S. PATENT DOCUMENTS

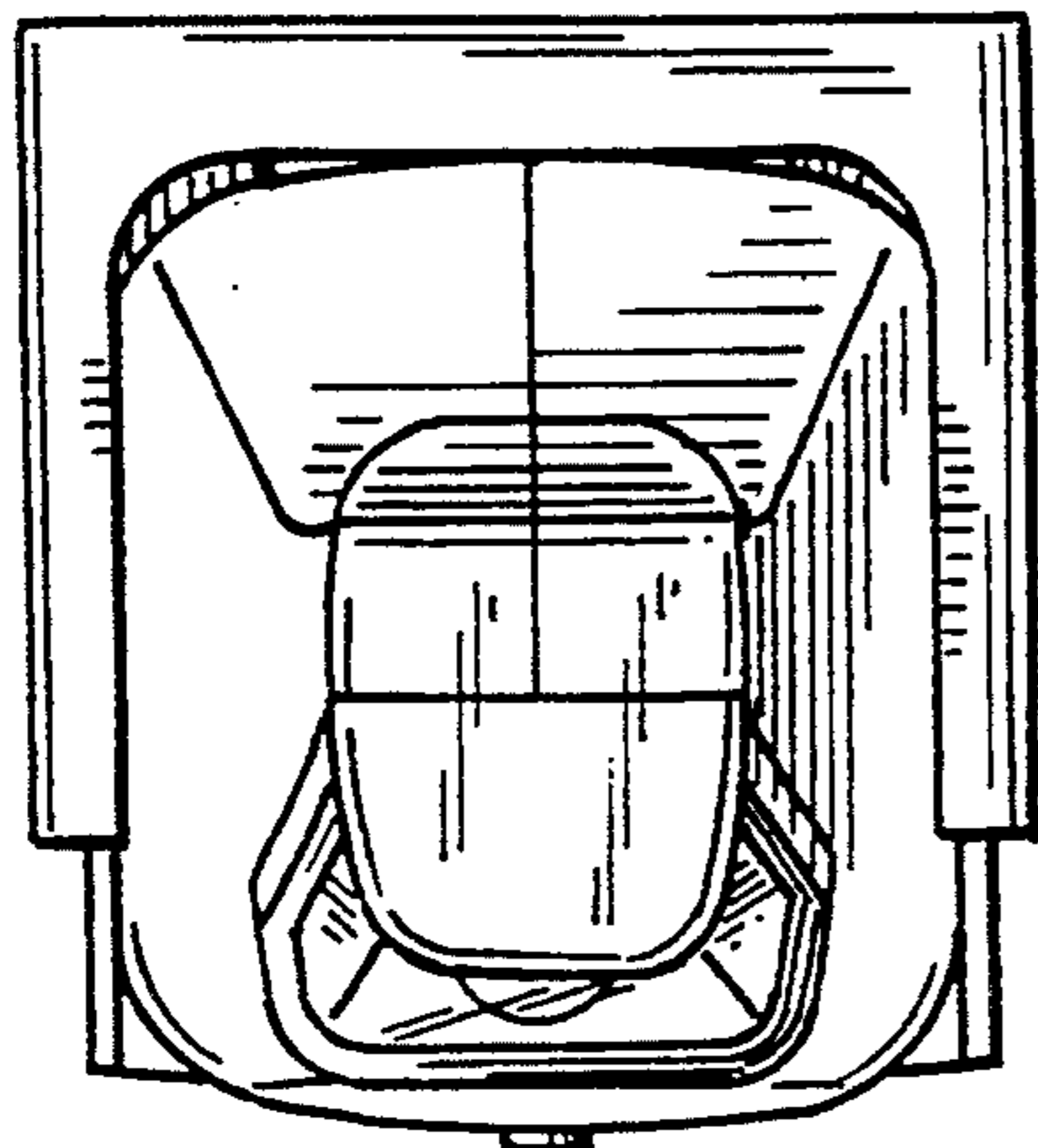
D. 278,275 4/1985 Mann ..... D26/46  
D. 290,406 6/1987 Brown ..... D26/38  
D. 318,134 7/1991 Yuen ..... D26/42  
D. 321,264 10/1991 Yuen ..... D26/42



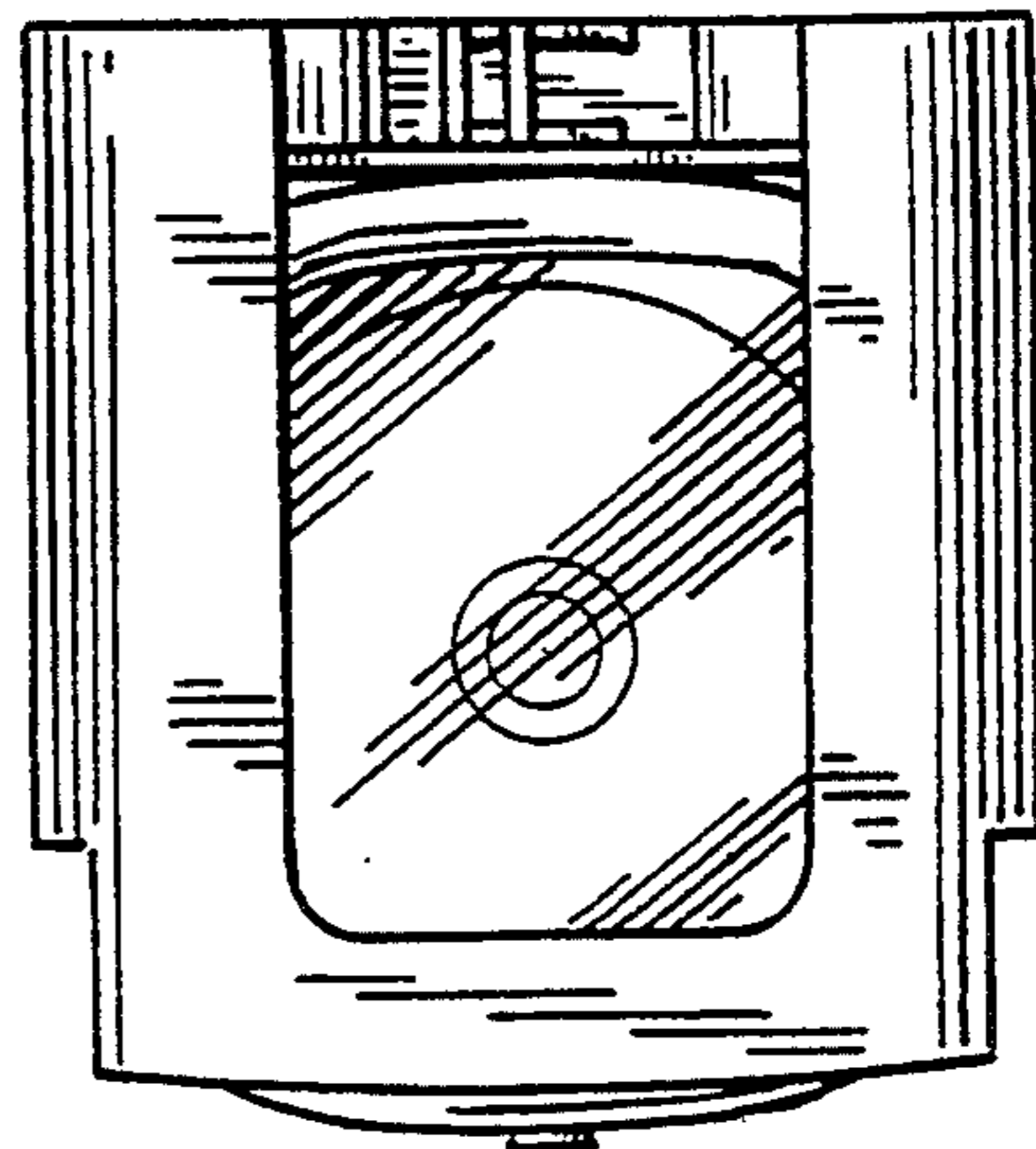
*Fig. 1*



*Fig. 2*

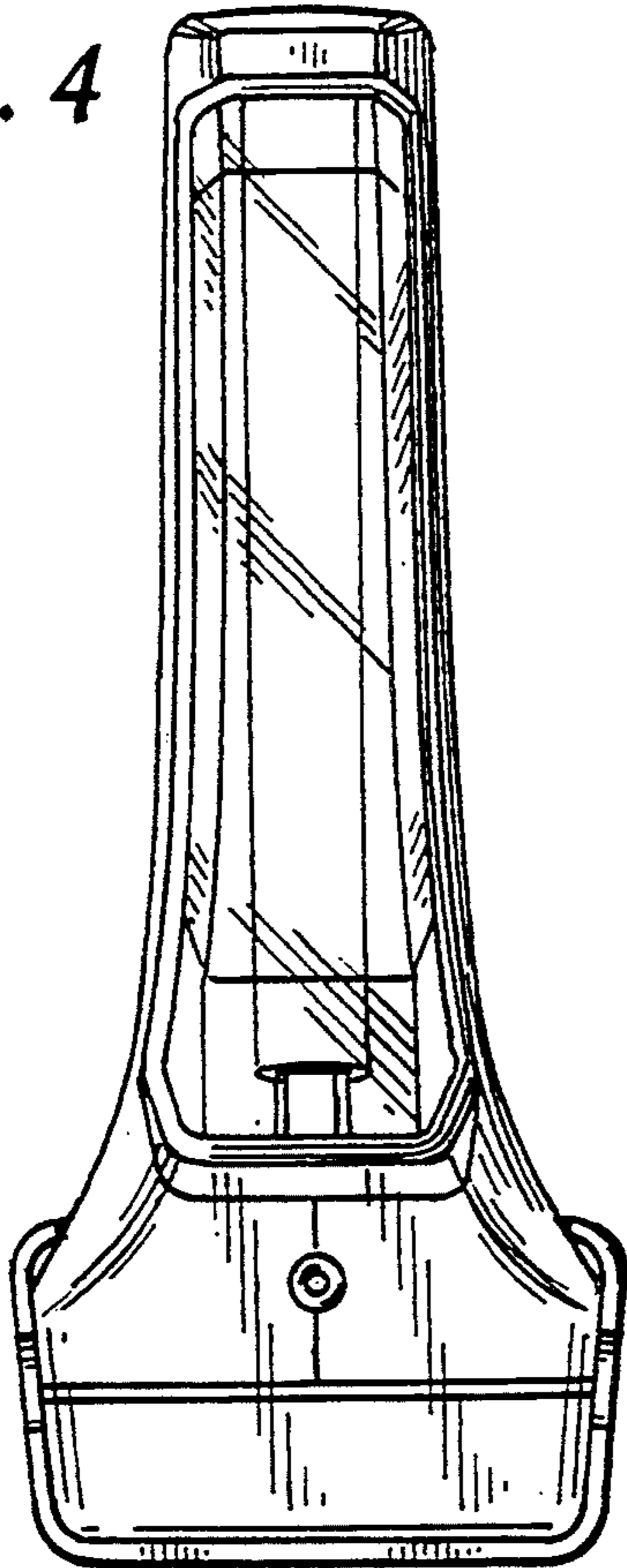


*Fig. 3*

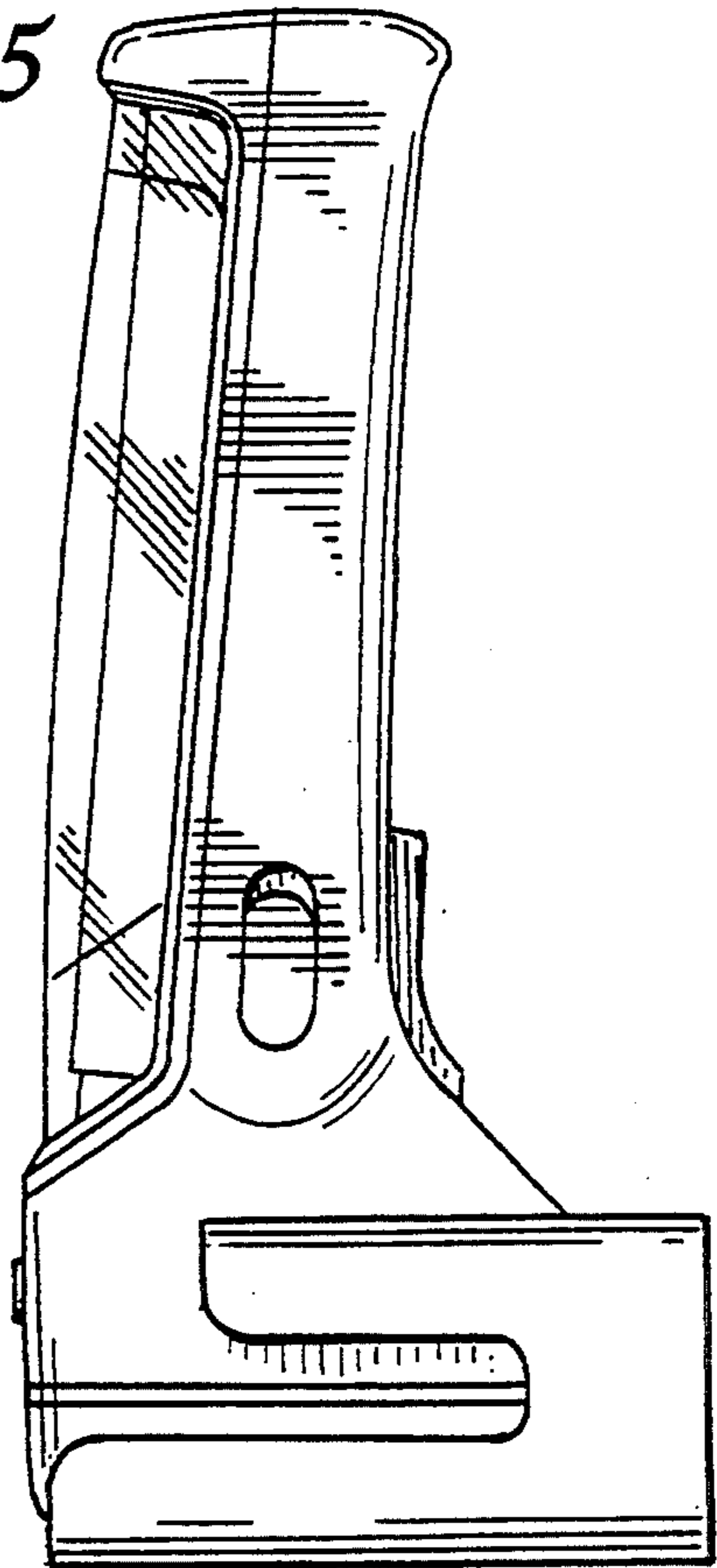




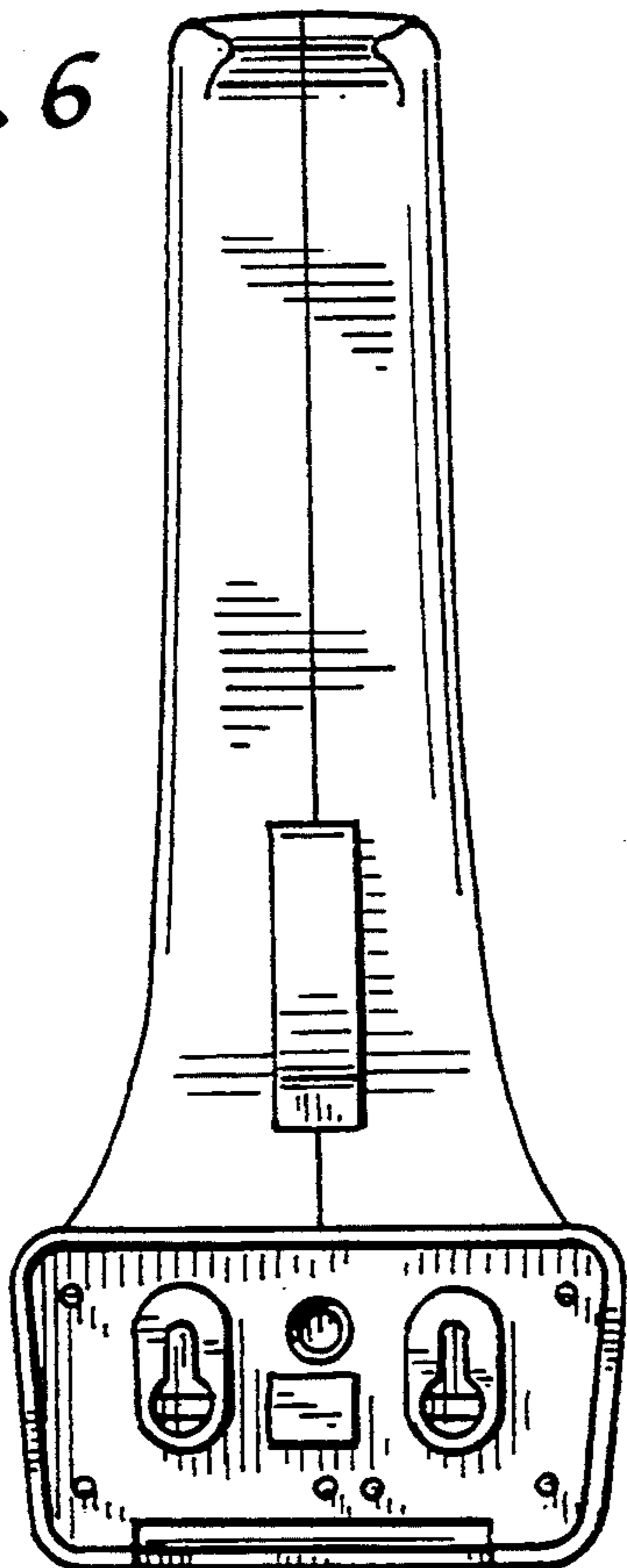
*Fig. 4*



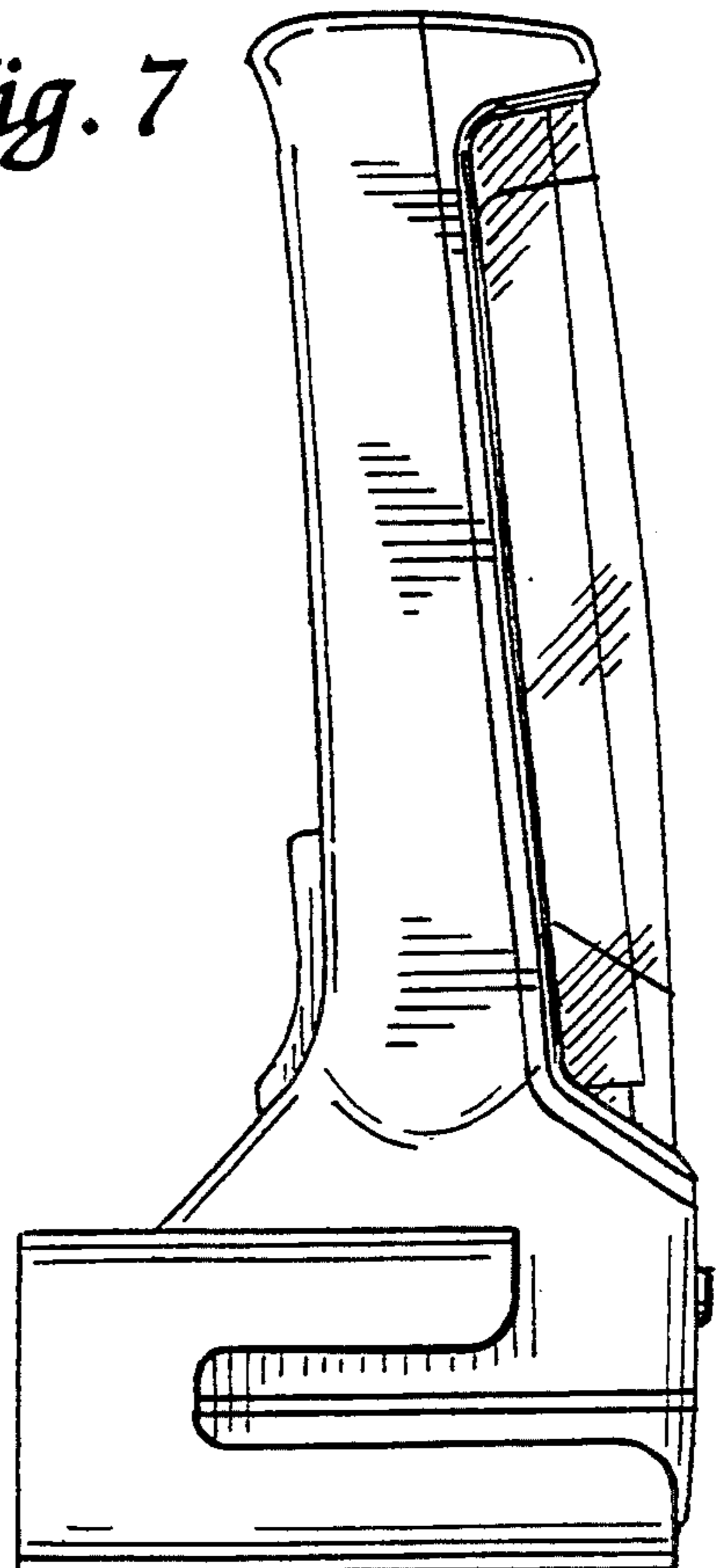
*Fig. 5*



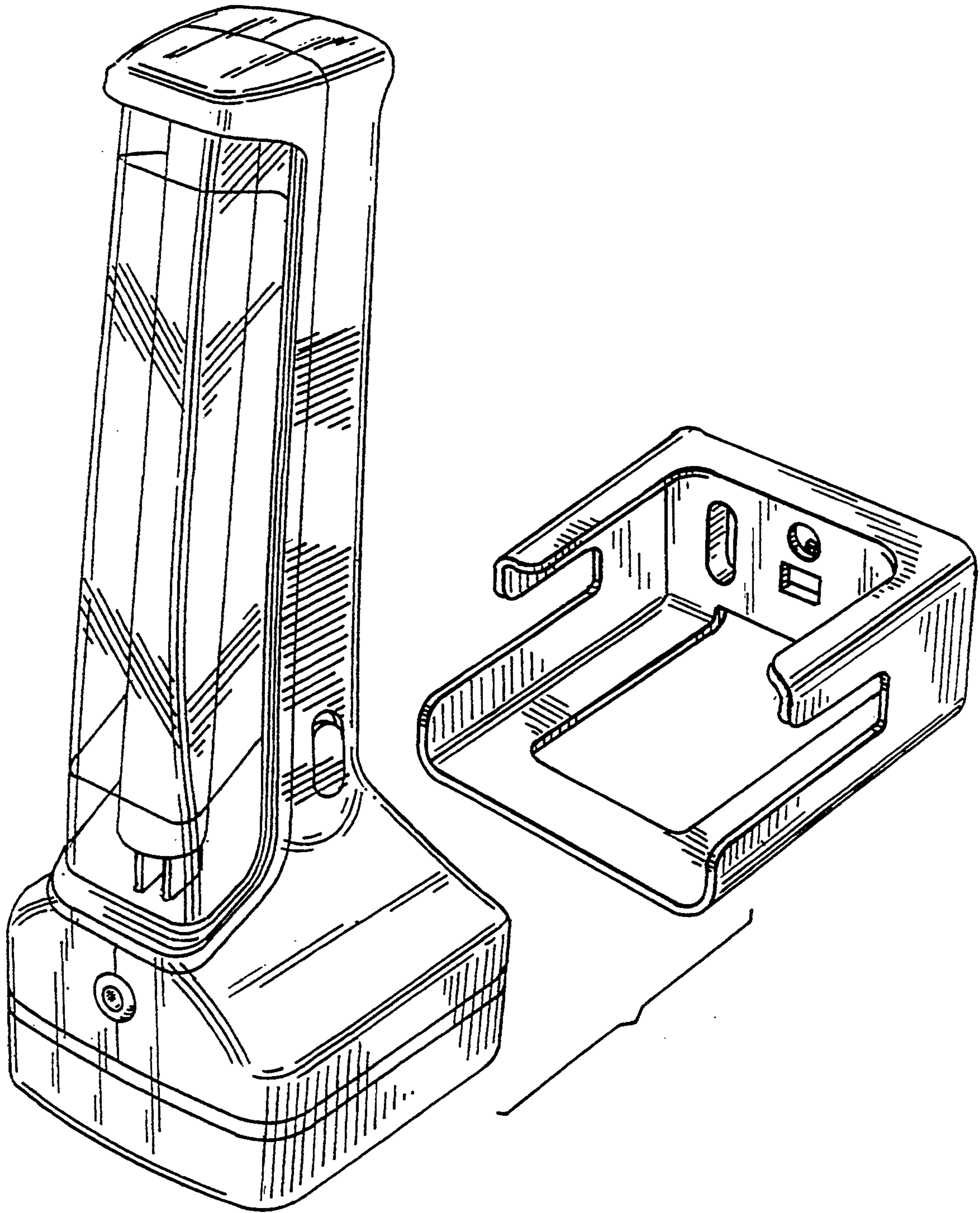
*Fig. 6*



*Fig. 7*



*Fig. 8*



UNITED STATES PATENT AND TRADEMARK OFFICE  
**CERTIFICATE OF CORRECTION**

PATENT NO. : D 352,794  
DATED : November 22, 1994  
INVENTOR(S) : David Bamber et al.

It is certified that error appears in the above-identified patent and that said Letters Patent is hereby corrected as shown below:

**TITLE PAGE:**

In the section "References Cited - U.S. Patent Documents",  
insert -- Yuen Design Patent No. D 328,145 --.

Signed and Sealed this  
Fourteenth Day of May, 1996

*Attest:*



**BRUCE LEHMAN**

*Attesting Officer*

*Commissioner of Patents and Trademarks*